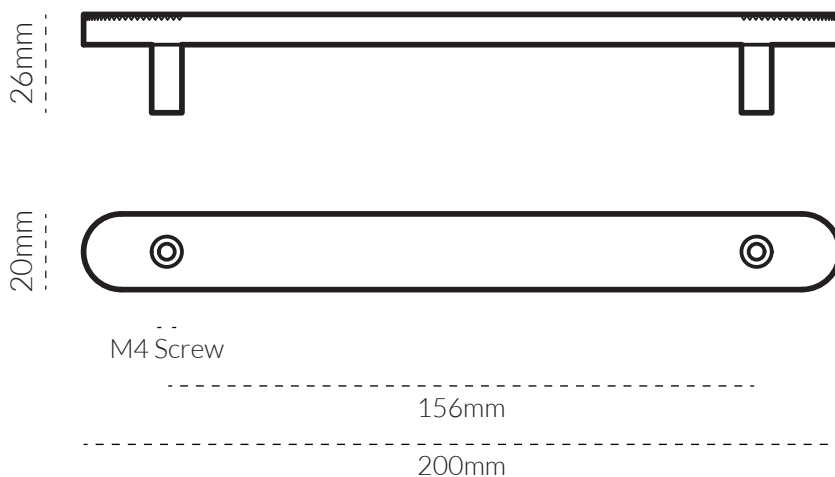



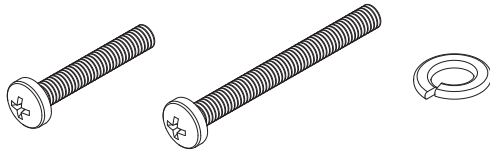






HENTLEY PULL MEDIUM 200MM

TECH SPEC

SPECIFICATIONS



FINISH	SKU	FIXINGS ALSO INCLUDED
 Natural Brass	4039-156-US4	<ul style="list-style-type: none">- 2x M4 * 25mm Screw- 2x M4 * 40mm Screw- 4x M4 Spring Washer 
 Bronze	4039-156-BR	
 Brushed Nickel	4039-156-BN	
 Matte Black	4039-156-US19	
 Matte White	4039-156-W	

CARE INSTRUCTIONS

Wipe with damp cloth and avoid using any chemicals.