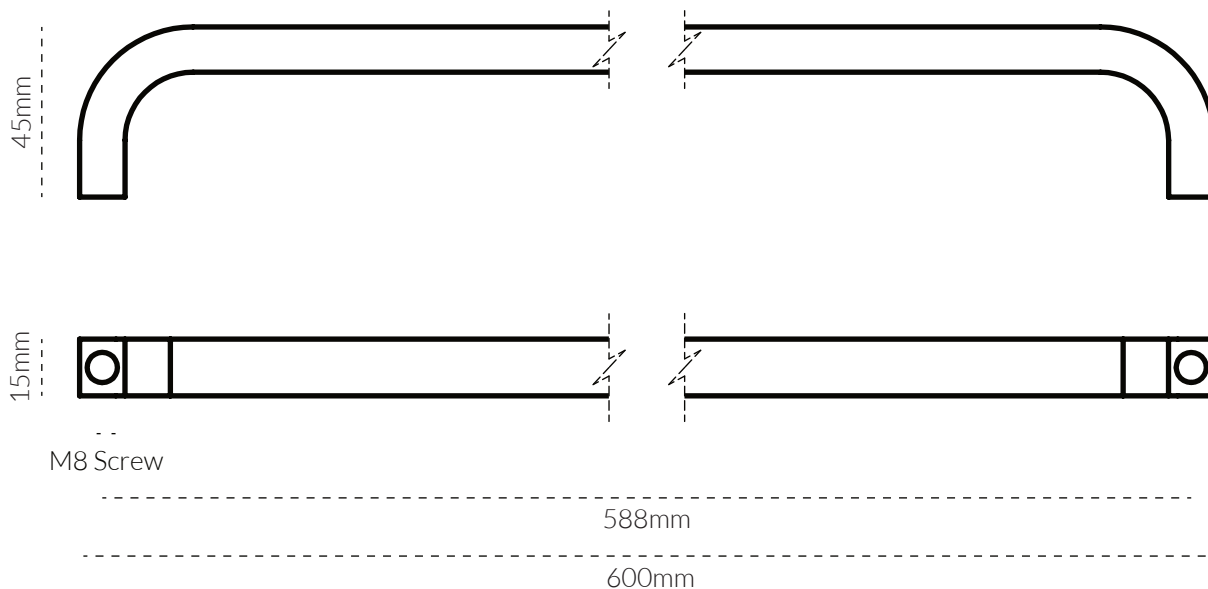



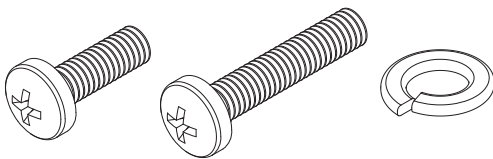









## CURVE APPLIANCE PULL 600MM

### TECH SPEC

#### SPECIFICATIONS



FINISH	SKU	FIXINGS ALSO INCLUDED
 Natural Brass	4080-600-US4	<ul style="list-style-type: none"> <li>- 2x M8 * 25mm Screw</li> <li>- 2x M8 * 40mm Screw</li> <li>- 2x M8 Spring Washer</li> </ul> 
 Aged Brass	4080-600-AB	
 Tumbled Brass	4080-600-TB	
 Bronze	4080-600-BR	
 Brushed Nickel	4080-600-BN	
 Tumbled Nickel	4080-600-TN	
 Matte Black	4080-600-US19	
 Matte White	4080-600-W	

#### CARE INSTRUCTIONS

Wipe with damp cloth and avoid using any chemicals.