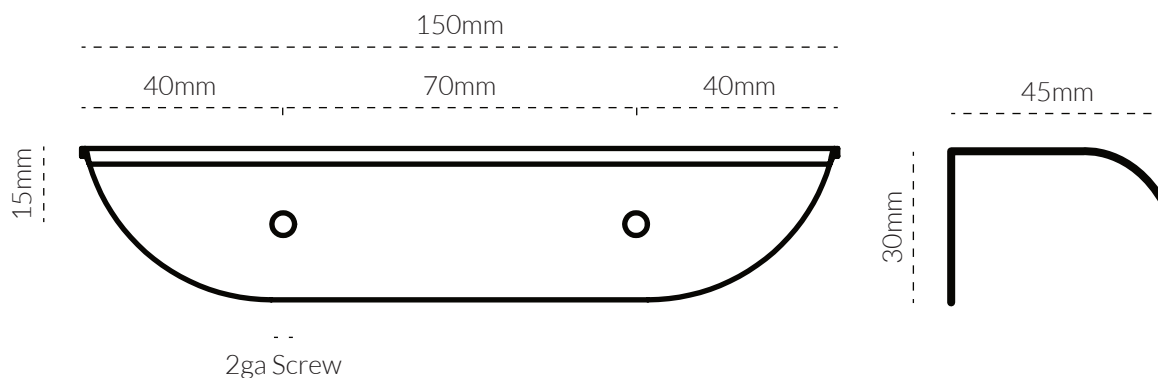



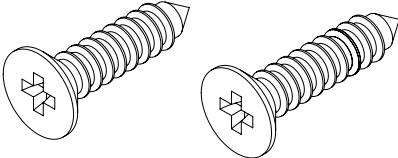









CARLISLE PULL MEDIUM 150MM

TECH SPEC

SPECIFICATIONS



FINISH	SKU	FIXINGS ALSO INCLUDED
 Natural Brass	4045-150-US4	- 2x 2ga * 15mm Timber Screw - 2x 2ga * 20mm Timber Screw 
 Aged Brass	4045-150-AB	
 Tumbled Brass	4045-150-TB	
 Bronze	4045-150-BR	
 Brushed Nickel	4045-150-BN	
 Tumbled Nickel	4045-150-TN	
 Matte Black	4045-150-US19	
 Matte White	4045-150-W	

CARE INSTRUCTIONS

Wipe with damp cloth and avoid using any chemicals.