

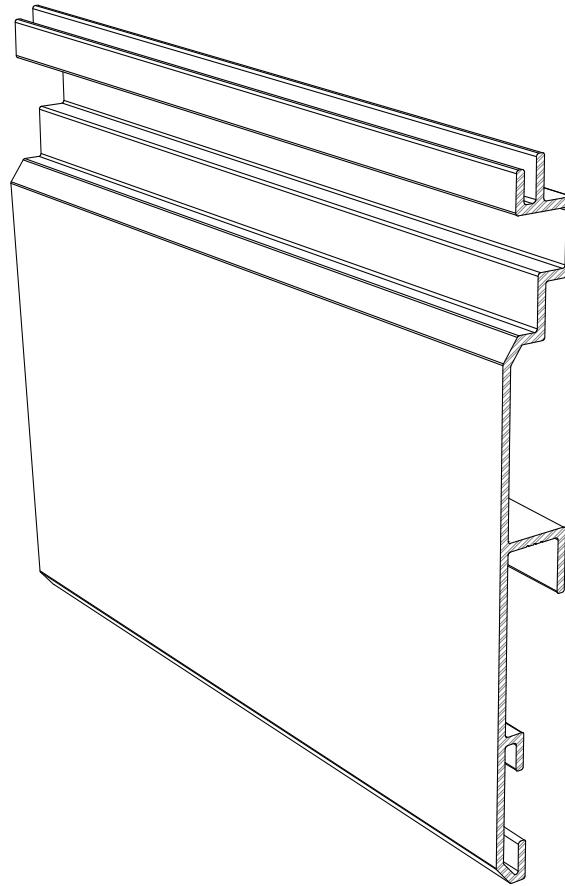


1 PN2 - PROFILE
 PN2-A SCALE 9"=1'-0"

2 PN2 - FRONT
 PN2-A SCALE 9"=1'-0"

WP PRODUCT DESIGN INC.

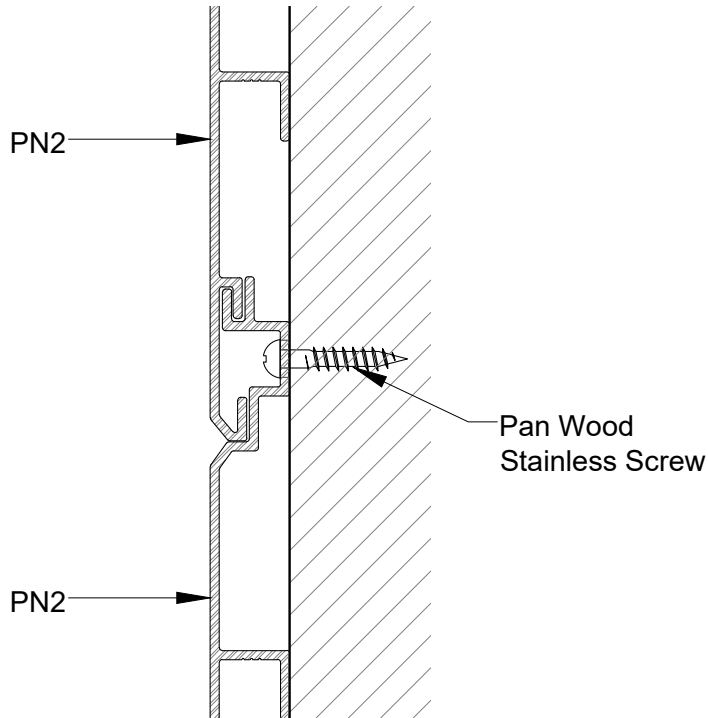
TITLE: Woodplank V-Groove Integra	Scale: As Shown
	Drawing No: PN2-A



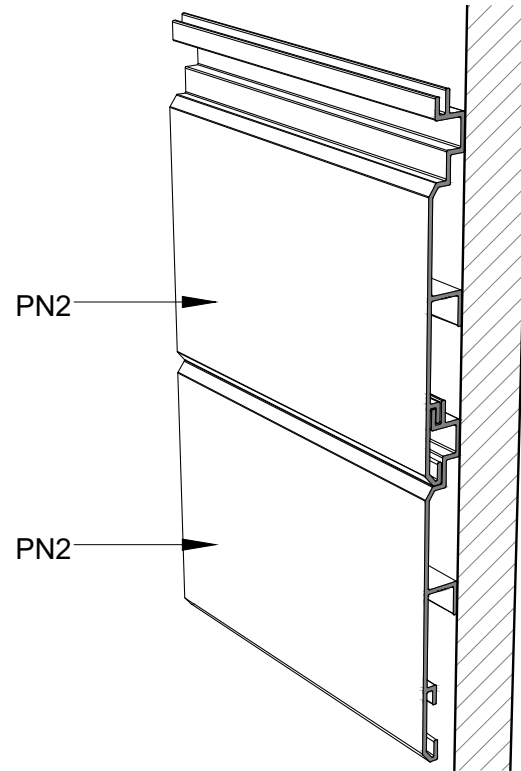
1 PN2 - 3D VIEW
PN2-B SCALE NTS

WP PRODUCT
DESIGN INC.

TITLE: Woodplank V-Groove Integra	Scale: As Shown
	Drawing No: PN2-B



1 PN2 - APPLICATION
 PN2-C SCALE 9"=1'-0"



2 PN2 - APPLICATION - 3D VIEW
 PN2-C SCALE NTS

WP PRODUCT DESIGN INC.

TITLE: Woodplank V-Groove Integra	Scale: As Shown
	Drawing No: PN2-C