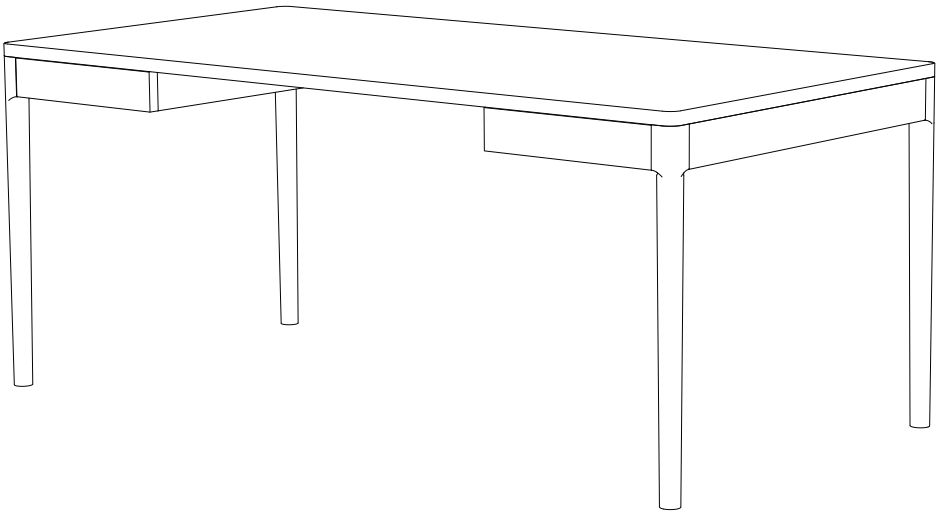




by Pedro Sottomayor

FRONT Desk



FRONT Desk

ABOUT

FRONT desk is a stylish desk for home or office, designed by Pedro Sottomayor. The clean look is achieved by using the drawers almost hidden, and as a part of the desk's structure. The FRONT desk is available in ash, oak and walnut.

CARE AND MAINTENANCE

The following care instructions are recommendations only.

MOR seals its veneers with a high-quality finish. For this reason, to clean solid wood and veneered surfaces, we recommend using a soft, slightly damp cloth, with a mild detergent in the case of stubborn dirt. We recommend that you always use environmentally friendly cleaning products and care for your furniture regularly and frequently. Before using any cleaning product, you should test it on an inconspicuous spot. Please follow the cleaning product manufacturer's instructions and contact a professional cleaning company in case of stubborn dirt or stains.

To avoid stains and other damage, liquids should be wiped away immediately. Wet surfaces should be dried immediately with a cloth. To extend the life of our products we apply a natural varnish to highlight and protect the properties of the natural wood. However, wood furniture reacts to environment. Exposure to light can alter its colour and also adapt its own moisture content levels to that of its environment. In the case of excessive fluctuations in temperature and humidity, however, it reacts by cracking and warping.

WARNING

Do not use neat, harsh, strong or abrasive cleaning fluids or furniture polish containing silicone or abrasives. They most commonly contain unsuitable solvents and/or colour additives, which ultimately leave a coating that is very difficult to remove and may affect the colour and finish of the veneer surface. If possible, avoid rubbing the surface while cleaning it, as this will make matte finishes shiny and charge the varnish with static electricity which will attract more dust.

WHAT DOES THIS BOX CONTAIN?

Inside this box you will find two sets of legs, the table top structure and the necessary components to assemble everything: screws, a hex key and a spanner.



x6



x2



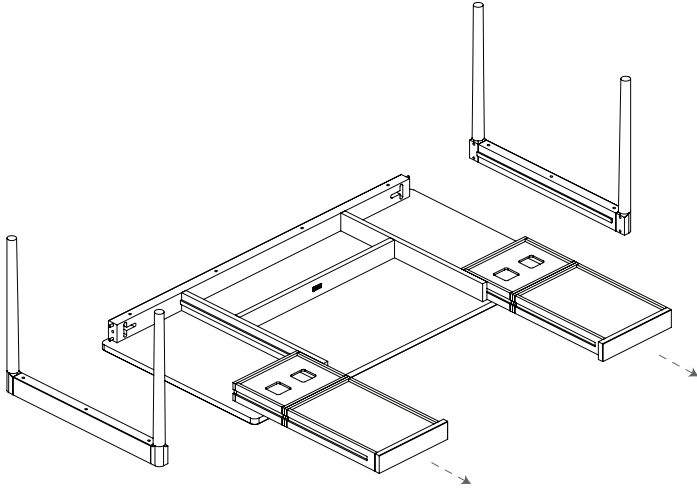
x1



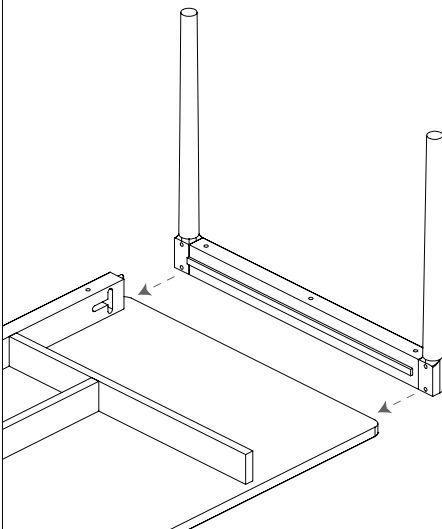
x1

1. ASSEMBLY INSTRUCTIONS

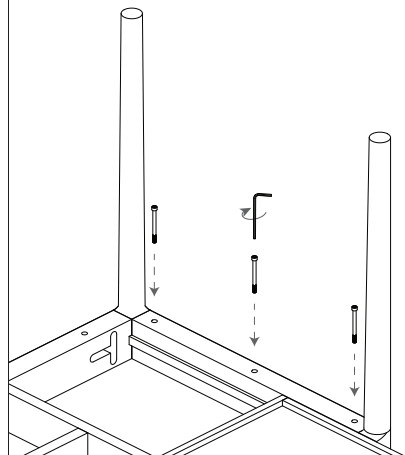
1. With the table top facing down, start by looking at which legs should be on which side, simply by seeing the screw holes. Then, move the drawers away from the table top.



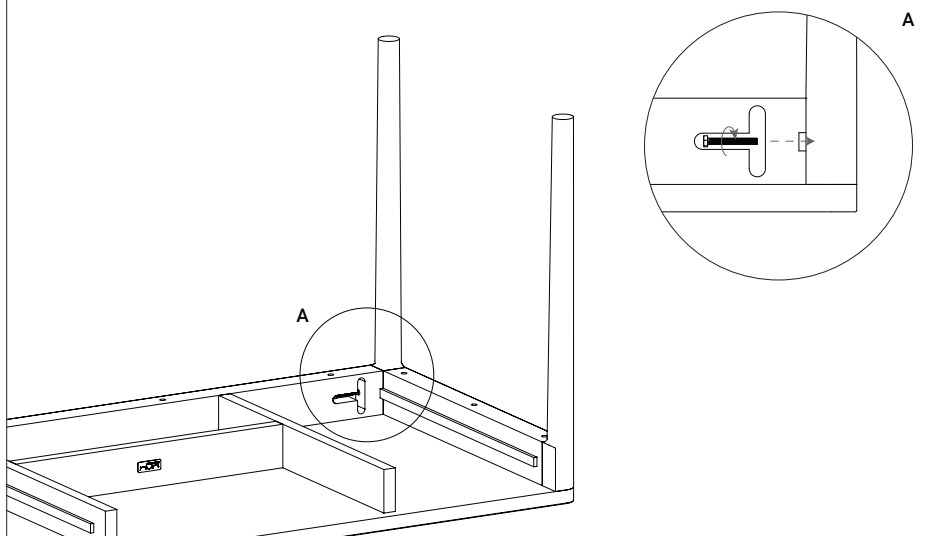
2. Connect each leg structure to the table top.



3. Using the provided hex key and six screws, fix the leg structures to the table top.



4. Although the desk should be already well structured, we advise to fasten the two M8 screws using the spanner. This will provide more stability to the whole desk and will make the table top sturdier.



5. Turn the desk 180° to its final standing position. You may now place the four drawers in the table top structure.

