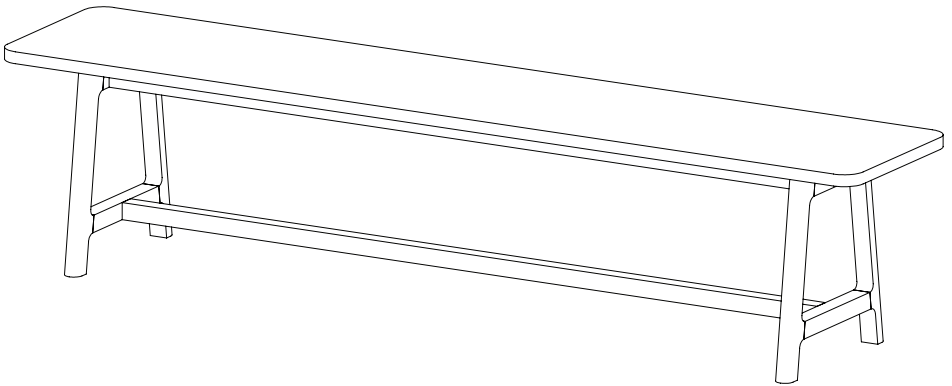




by Depping & Jørgensen

FRAME Bench



FRAME Bench

ABOUT

FRAME collection is the perfect trio for any gathering space. The collection includes a table, a chair and a bench, holding everything one needs for a cozy get together.

Being a simple yet sculptural and self-explaining design, the collection is meant to resemble a craft feeling, an ode to classic wooden furniture and handcrafting.

Inspired by the characteristics of Danish design, the collection impresses with its minimalistic shape and great attention to details. With simple but strong expression, the FRAME pieces pay homage to the simple way of living culture and every step of its production is aligned with requirements of sustainability and quality at the same time.

The bench has the same shape as the table. It can both be used with the table or separate, for sitting or as a long table for placing objects.

CARE AND MAINTENANCE

The following care instructions are recommendations only.

MOR seals its veneers with a high-quality finish. For this reason, to clean solid wood and veneered surfaces, we recommend using a soft, slightly damp cloth, with a mild detergent in the case of stubborn dirt. We recommend that you always use environmentally friendly cleaning products and care for your furniture regularly and frequently. Before using any cleaning product, you should test it on an inconspicuous spot. Please follow the cleaning product manufacturer's instructions and contact a professional cleaning company in case of stubborn dirt or stains.

To avoid stains and other damage, liquids should be wiped away immediately. Wet surfaces should be dried immediately with a cloth. To extend the life of our products we apply a natural varnish to highlight and protect the properties of the natural wood. However, wood furniture reacts to environment. Exposure to light can alter its colour and also adapt its own moisture content levels to that of its environment. In the case of excessive fluctuations in temperature and humidity, however, it reacts by cracking and warping.

WARNING

Do not use neat, harsh, strong or abrasive cleaning fluids or furniture polish containing silicone or abrasives. They most commonly contain unsuitable solvents and/or colour additives, which ultimately leave a coating that is very difficult to remove and may affect the colour and finish of the veneer surface. If possible, avoid rubbing the surface while cleaning it, as this will make matte finishes shiny and charge the varnish with static electricity which will attract more dust.

THIS BOX CONTAIN

Inside this box you will find two sets of legs, the table top structure and the necessary components to assemble everything: screws, a hex key, connecting bolts and connector housings.



x8



x1



x10



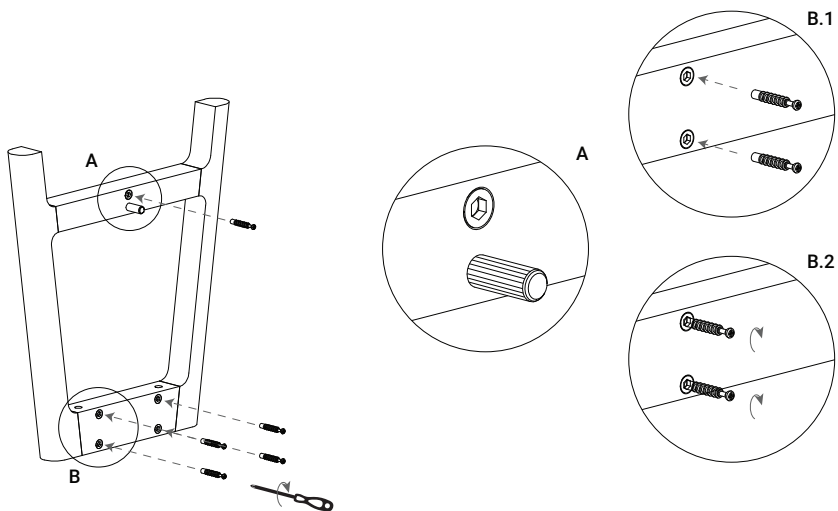
x10



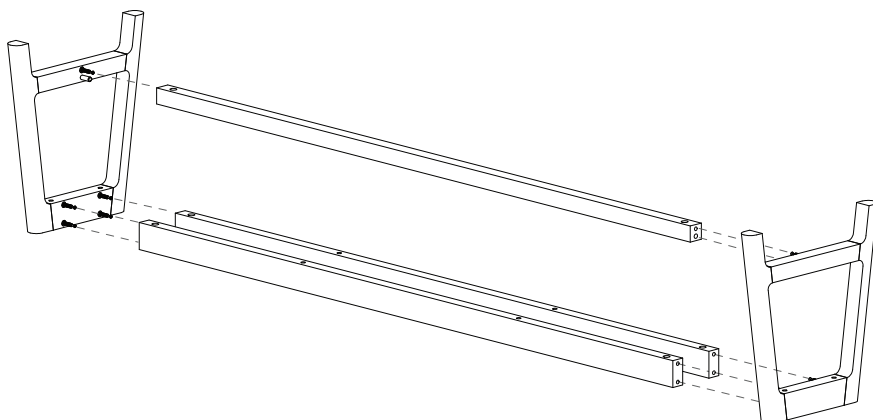
x2

1. ASSEMBLY INSTRUCTIONS

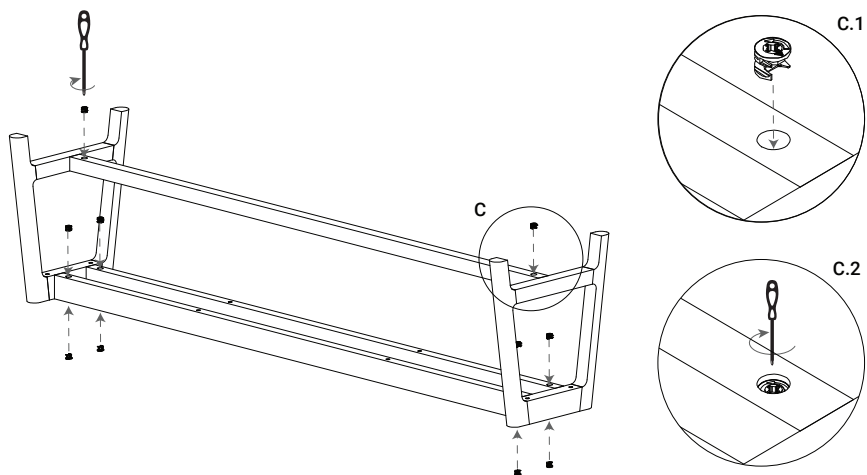
1. Screw the connecting bolts to both leg structures.



2. Connect each leg frames to structural profiles



3. Tighten the connector housings to attach the leg frames to the structural beams.



4. Tighten the screws to join the bench top to the rest of the structure.

