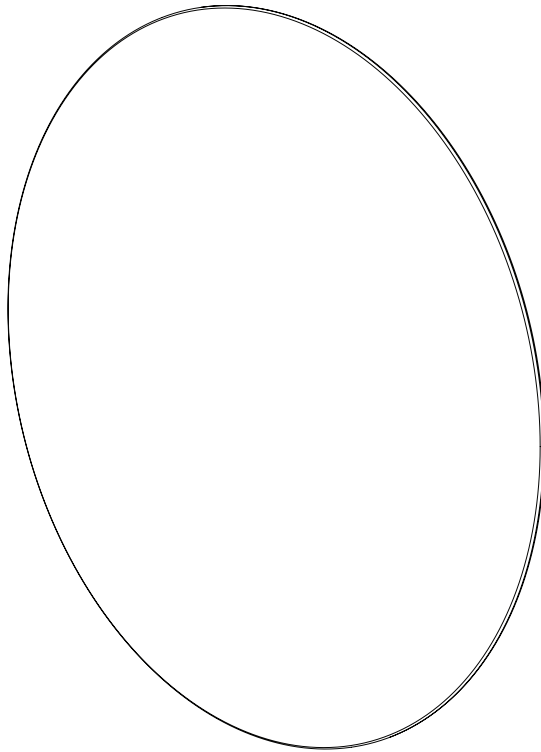




by Pedro Sottomayor

DOME 100 Wall



DOME 100 Wall

ABOUT

DOME is a lamp not like any other. Each one is a unique marble piece, carved into existence after being carefully chosen from a small pre-produced stock in a marble quarry. Its name arises from the thin rounded convex shape that it has. Michelangelo said that "every block of stone has a statue inside it and it is the task of the sculptor to discover it", and that is what DOME is all about.

Since each marble block is unique, each lamp appearance may vary from hundreds of possible natural designs and colours. For this reason, this powerful lamp easily stands out when turned off. However, when turned on, the light surpasses the thin layer of stone and the exhibited contrasts become an evidence of its beautiful natural features.

CARE AND MAINTENANCE

The DOME lamp does not require a frequent maintenance. You may simply use a damp cloth on the outside to keep it clean. However, it is natural that after a while it will collect some dust and require a more thorough cleaning. For any intervention we insist that you cut off electricity to the lamp so as to avoid accidents. We recommend going through the process of removing the marble dome from the lamp structure.

For that, lift the marble dome and slide it up, in order to be able to separate the lamp structure from the L shaped hooks. You may clean the marble dome by delicately using a damp cloth on the inside and outside. To support the marble dome back on the lamp structure we suggest revisiting the installation instructions.

INSTALLATION INSTRUCTIONS

We advise that the fixture should be installed by a qualified electrician to ensure proper wiring and installation. Save this manual for future reference.

TECHNICAL SPECIFICATIONS

Light source
AC Round PCB 230V - 50W - 8000 lm - 2700-3000K
Life expectancy of 50,000h

THIS BOX CONTAIN

Inside this box you will find the marble DOME, the LED lamp structure and one screw to fix it to the wall; four L shaped hook screws that will sustain the DOME to the wall, a hex key and a drilling guide.



x4



x1

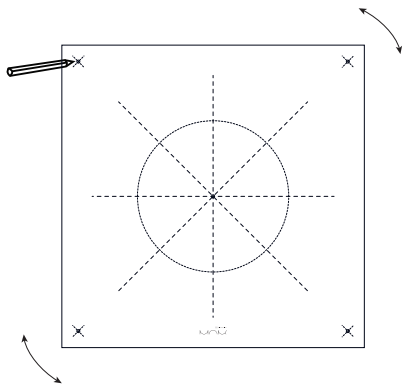


x1

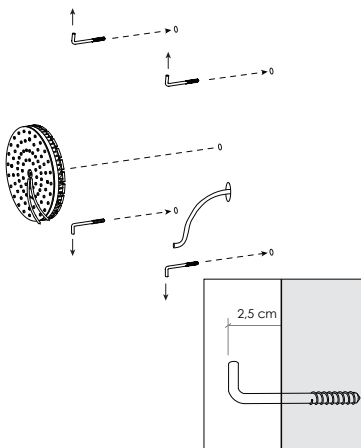


1. HANGING AND ELECTRICAL CONNECTION

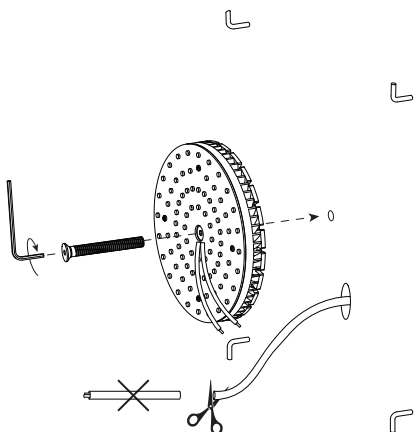
1. Define where you would like to place the lamp and mark all 5 drilling points using the provided guide.



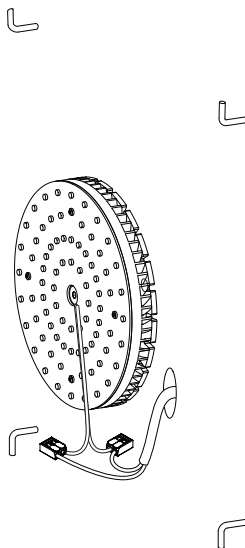
2. Drill all marked points and use the appropriate wall plugs (not included). Place the L shaped hook screws on the wall, distanced about 25mm from the wall, facing up or down, as displayed in the illustration.



3. Fix the LED support to the wall with the provided screw (it is necessary to use a M8 wall plug - not included). Cut the electrical cable leaving around 25cm.



4. Make the electrical connection to the LED board.



5. Fix the DOME by centering the four metal tubes with the hook screws. If the dome is not parallel to the wall, then you might need to tighten the screws further.

