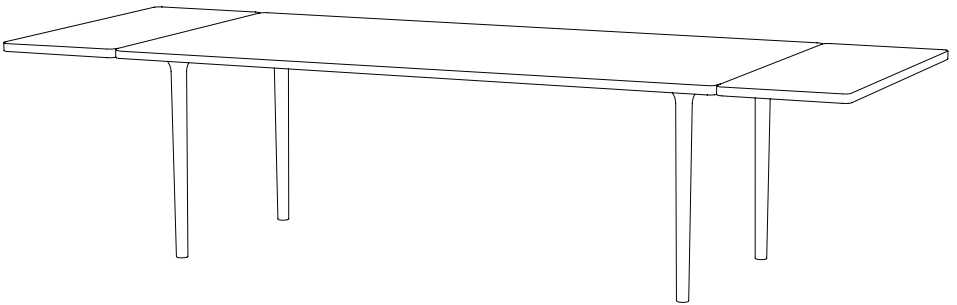


MOR

by Pedro Sottomayor

CAST Extensible Table



CAST Extensible Table

ABOUT

A simple and versatile design that can be used with different table tops shapes and sizes – be it round, oval, rectangular or square. It is ideal for a wide range of uses in the home, also in an extendible version or office environment, with optional cable storage solution or tabletop dividers. The CAST tables are available in ash, oak and walnut and custom to your special needs.

CARE AND MAINTENANCE

The following care instructions are recommendations only.

MOR seals its veneers with a high-quality finish. For this reason, to clean solid wood and veneered surfaces, we recommend using a soft, slightly damp cloth, with a mild detergent in the case of stubborn dirt. We recommend that you always use environmentally friendly cleaning products and care for your furniture regularly and frequently. Before using any cleaning product, you should test it on an inconspicuous spot. Please follow the cleaning product manufacturer's instructions and contact a professional cleaning company in case of stubborn dirt or stains.

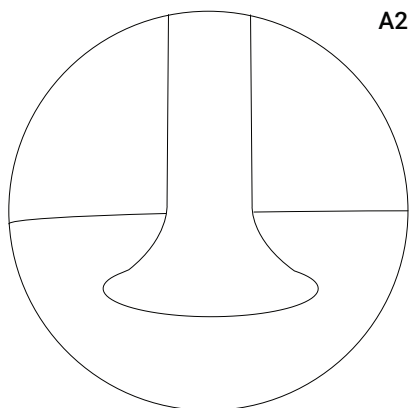
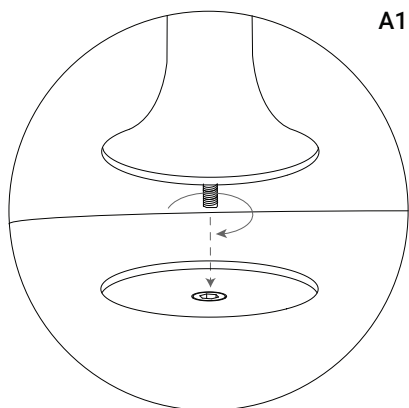
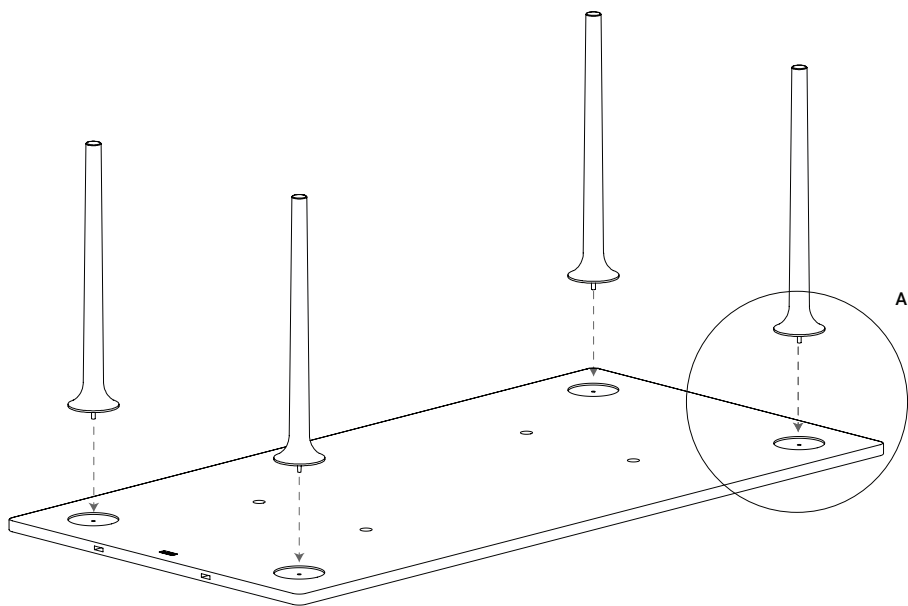
To avoid stains and other damage, liquids should be wiped away immediately. Wet surfaces should be dried immediately with a cloth. To extend the life of our products we apply a natural varnish to highlight and protect the properties of the natural wood. However, wood furniture reacts to environment. Exposure to light can alter its colour and also adapt its own moisture content levels to that of its environment. In the case of excessive fluctuations in temperature and humidity, however, it reacts by cracking and warping.

WARNING

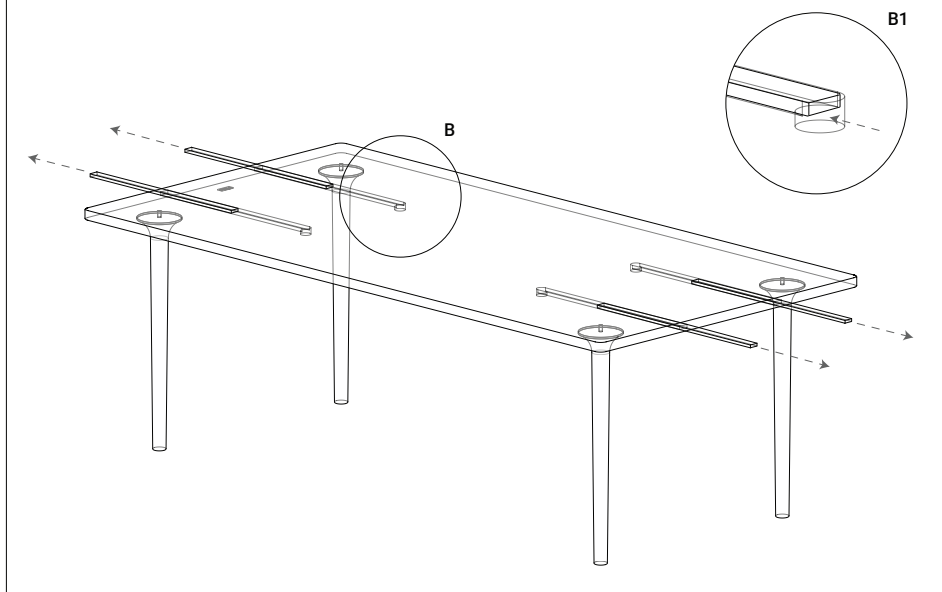
Do not use neat, harsh, strong or abrasive cleaning fluids or furniture polish containing silicone or abrasives. They most commonly contain unsuitable solvents and/or colour additives, which ultimately leave a coating that is very difficult to remove and may affect the colour and finish of the veneer surface. If possible, avoid rubbing the surface while cleaning it, as this will make matte finishes shiny and charge the varnish with static electricity which will attract more dust.

1. ASSEMBLY INSTRUCTIONS

1. Fix each leg by screwing the nuts to the table top



- 2.** Remove the metal bars from inside the table top using the holes under the table.



- 3.** Insert the metal bars all the way into the flaps. Attach the flaps to the table top.

