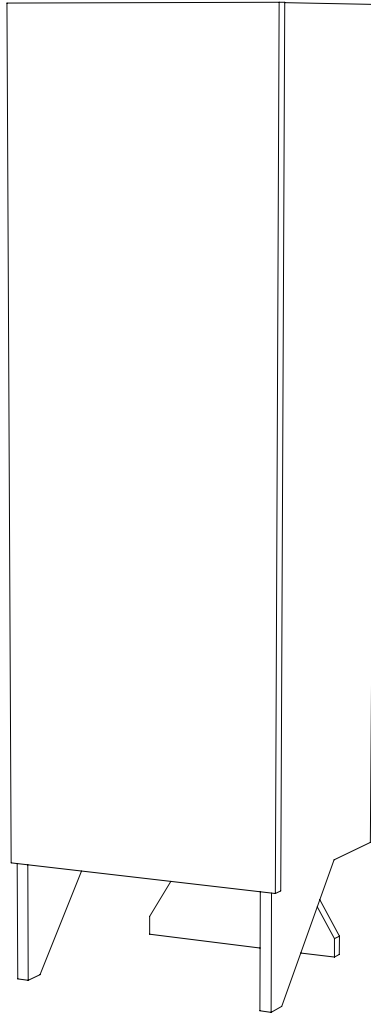




by Álvaro Siza

ALFAMA Wardrobe



ALFAMA Wardrobe

ABOUT

A key element for modern living is an efficient use of space. The less area we use for storage, the more room will be available to other things that makes you enjoy living. ALFAMA wardrobe is, in its own unique way, Siza's proposition to meet these requirements – the ideal cabinet that fits both small and larger apartments and bedrooms.

Due to a simple system based on a metal piece placed crosswise, clothes are not hanged next to each other, but behind each other. That creates a little cabinet depth of 51 cm and prevents it from taking much space in the room.

On the other hand, its taller than usual expression lies in the fact that Siza wanted to have a dimension that could easily keep a classic long trench coat without the need to fold it.

The open top and back of the wardrobe creates constant air ventilation, which allows freshness and, in the author's own words, "prevents it from the sensation that it has been closed for a long time".

On the bottom of the wardrobe there are two shelves, great for shoes, hand bags, boxes or any other small items that need to be kept.

CARE AND MAINTENANCE

The following care instructions are recommendations only.

MOR seals its veneers with a high-quality finish. For this reason, to clean solid wood and veneered surfaces, we recommend using a soft, slightly damp cloth, with a mild detergent in the case of stubborn dirt. We recommend that you always use environmentally friendly cleaning products and care for your furniture regularly and frequently. Before using any cleaning product, you should test it on an inconspicuous spot. Please follow the cleaning product manufacturer's instructions and contact a professional cleaning company in case of stubborn dirt or stains.

To avoid stains and other damage, liquids should be wiped away immediately. Wet surfaces should be dried immediately with a cloth. To extend the life of our products we apply a natural varnish to highlight and protect the properties of the natural wood. However, wood furniture reacts to environment. Exposure to light can alter its colour and also adapt its own moisture content levels to that of its environment. In the case of excessive fluctuations in temperature and humidity, however, it reacts by cracking and warping.

WARNING

Do not use neat, harsh, strong or abrasive cleaning fluids or furniture polish containing silicone or abrasives. They most commonly contain unsuitable solvents and/or colour additives, which ultimately leave a coating that is very difficult to remove and may affect the colour and finish of the veneer surface. If possible, avoid rubbing the surface while cleaning it, as this will make matte finishes shiny and charge the varnish with static electricity which will attract more dust.

WHAT DOES THIS BOX CONTAIN?

Inside this box you will find two sets of legs, the table top structure and the necessary components to assemble everything: screws, a hex key, connecting bolts and connector housing.



x2



x1



x18



x18



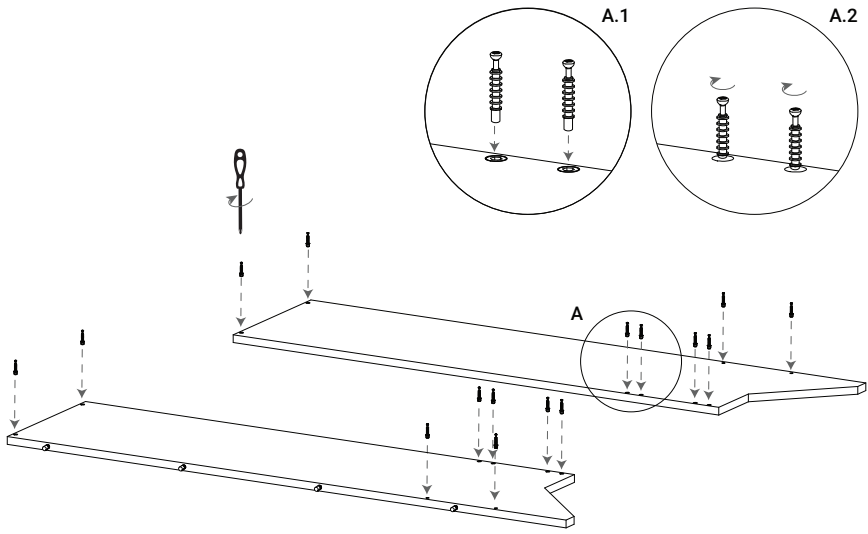
x3



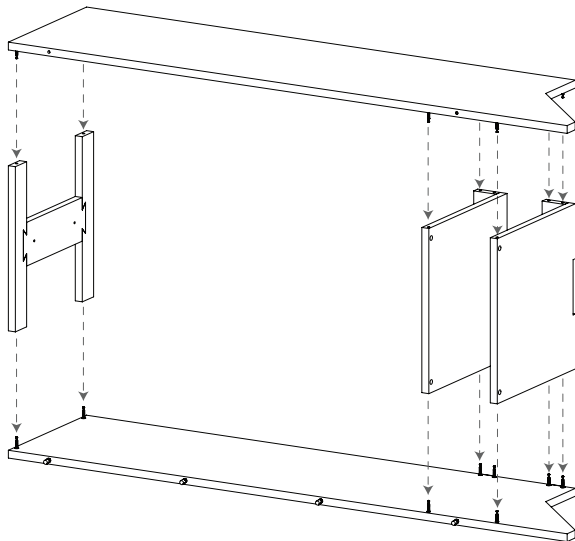
x2

1. STRUCTURE ASSEMBLY INSTRUCTIONS

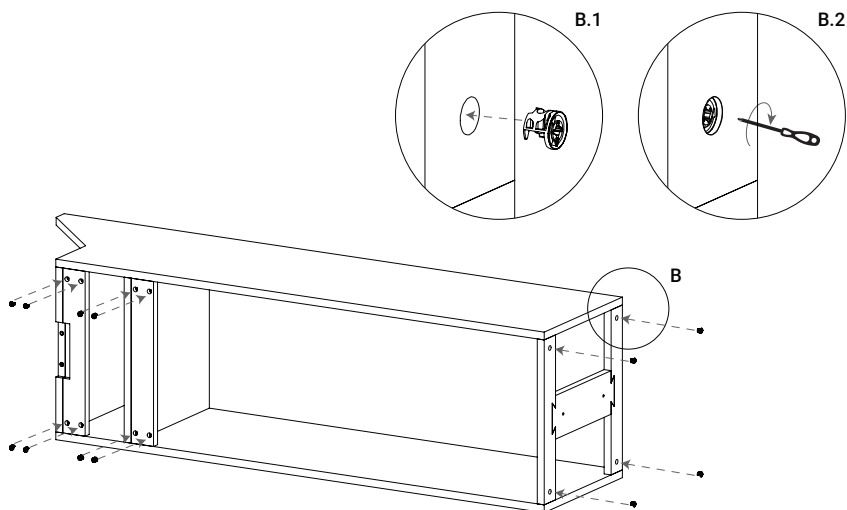
1. Screw the connecting bolts to both side panels.



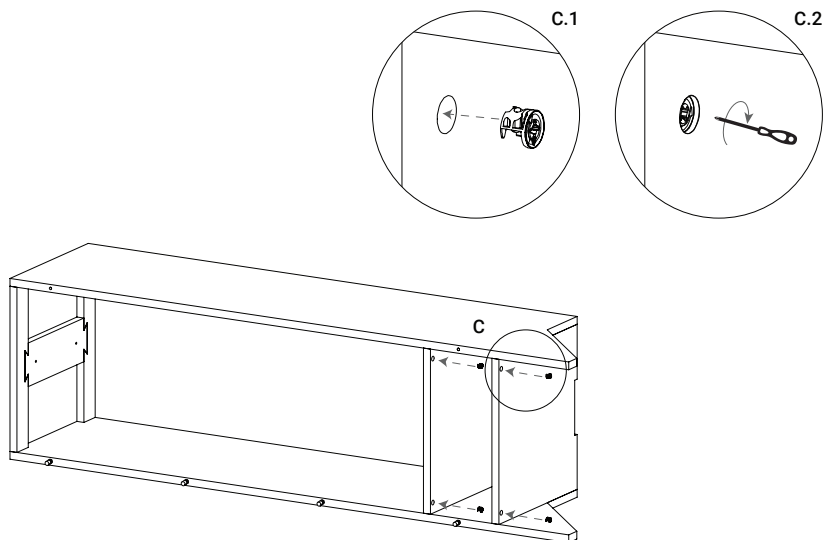
2. Assemble the wardrobe sides panels with the structural top and interior shelves.



- 3.** Tighten the top and back connectors housings to attach the structural elements.

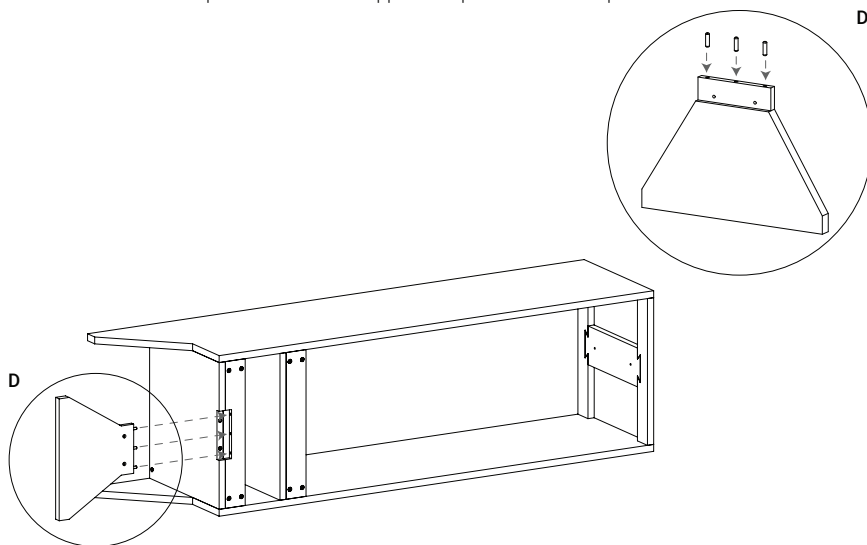


- 4.** Tighten the bottom connectors housings.

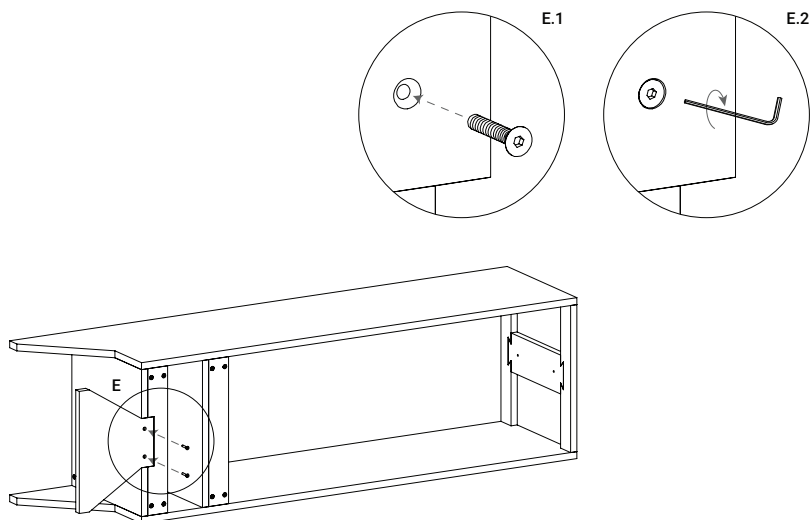


2. BACK SUPPORT INSTALLATION (OPTIONAL)

- 5.** Connect the wood pivots to the back support and place it in correct position.

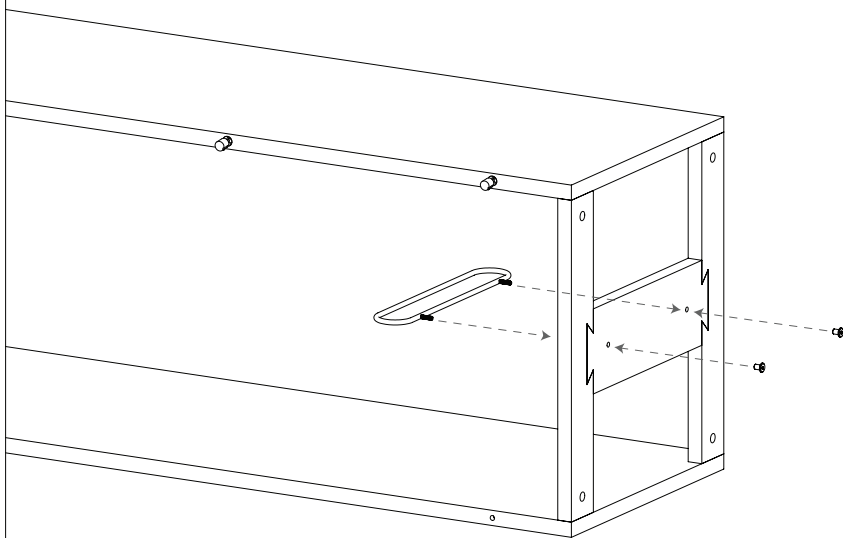


- 6.** Tighten the screws to join the back support to the rest of the structure.

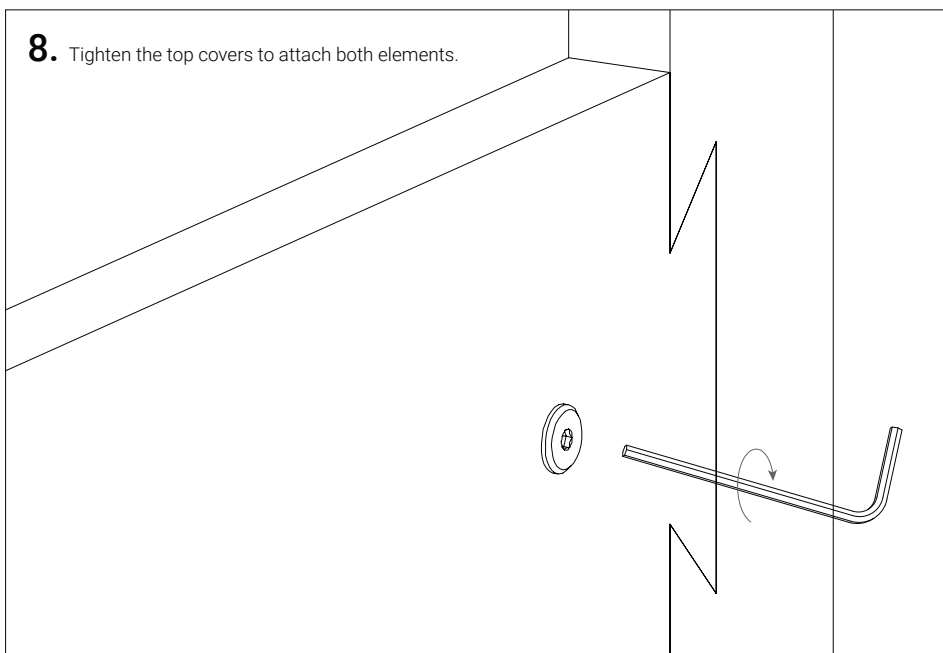


3. HANGER ASSEMBLY

- 7.** Position and place the metallic hanger with the respective top covers.

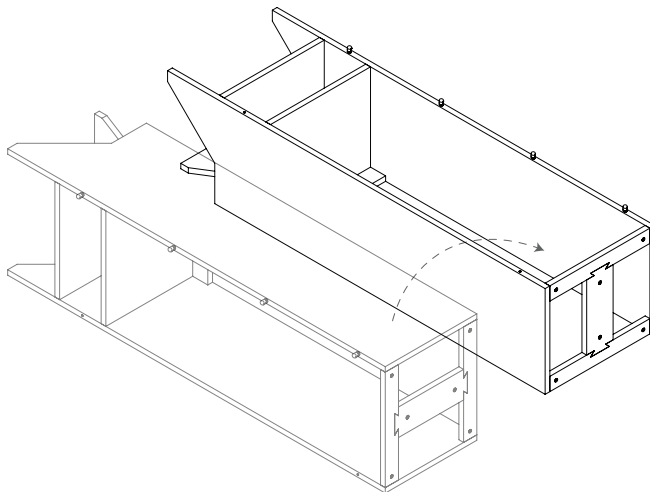


- 8.** Tighten the top covers to attach both elements.

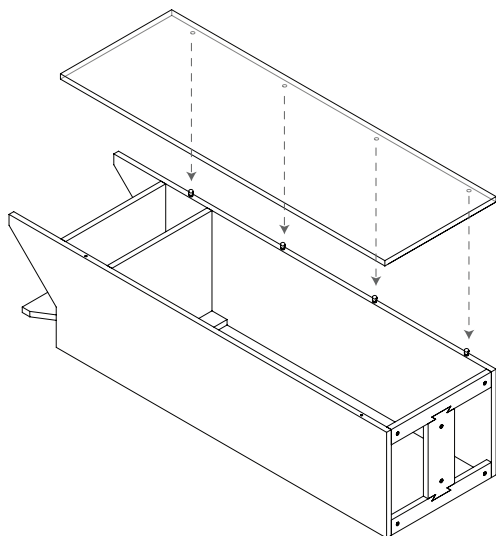


4. DOOR ASSEMBLY

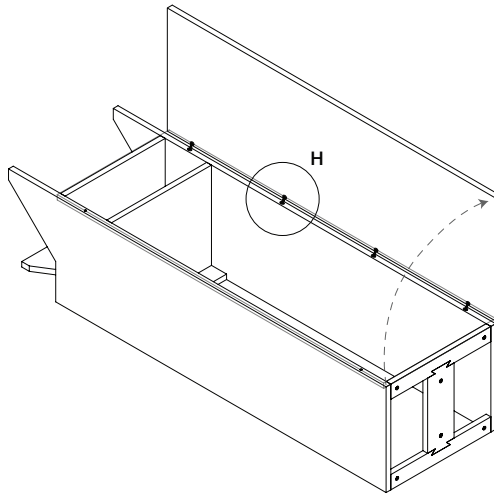
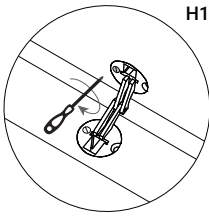
- 9.** Rotate the entire wardrobe structure with the necessary precautions.



- 10.** Attach the door to the hinges in the structure.



11. Verify if the door opens and closes correctly and then tighten the hinges screws.



12. You may now place the wardrobe standing up. Be careful not to break the back support in this process. ⚠

