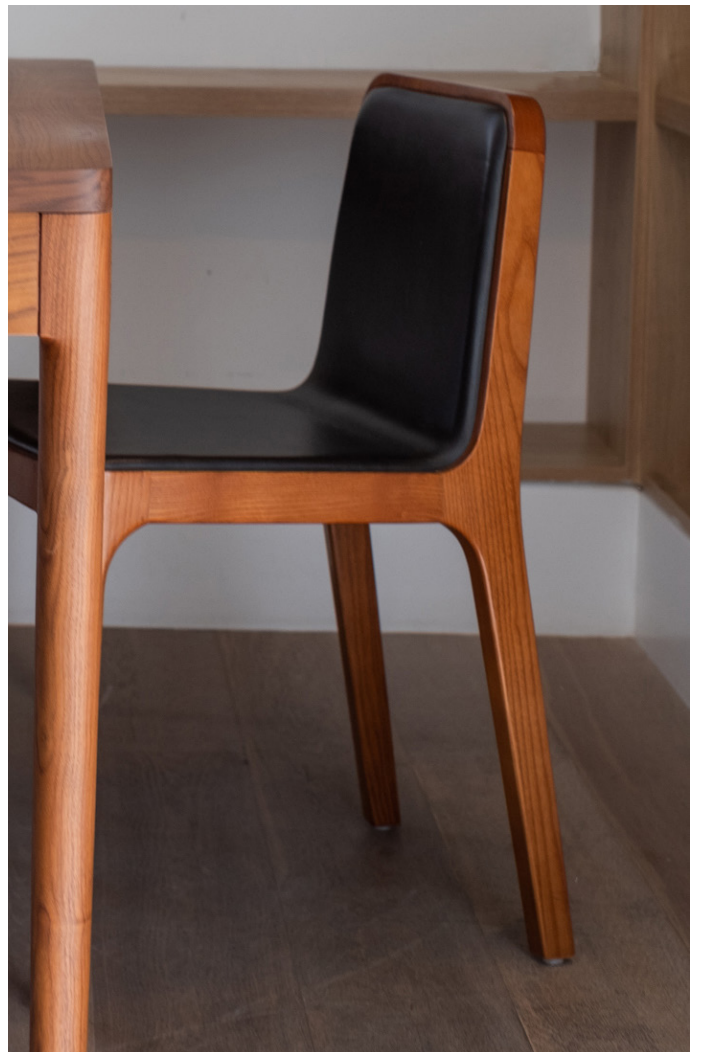


MOR
by Pedro Sottomayor

CAST Chair





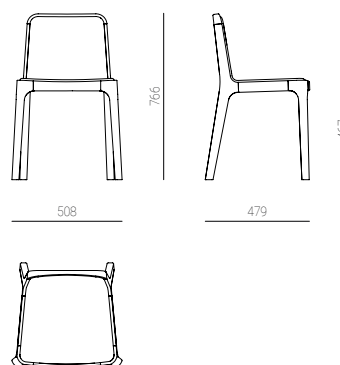


CAST Chair product sheet

The idea was to design a simple and clean chair, manufactured in solid wood, that could be used at any table. The CAST Chair is a sturdy piece whose structure is ingeniously determined by the seat itself, giving it a classic and versatile look. To be the perfect fit from dining tables to offices.

PRODUCT FAMILY

CAST Chair
CAST Table



MATERIALS

Frame in solid wood, shell in plywood - available in Beech, Ash, Oak and Walnut.

Upholstery in fabric (Kvadrat Canvas) or leather - see the material catalogue on our website.

Felt gliders installed by default. Upon request, plastic gliders are available.

CUSTOMIZE

Possibility of upholstering the chair using your own material.

Fabric required: 0,92 lm

Leather required: 1,60 m²

FINISHINGS

Surface protected with matte lacquer.



Beech

Ash

Oak

Walnut