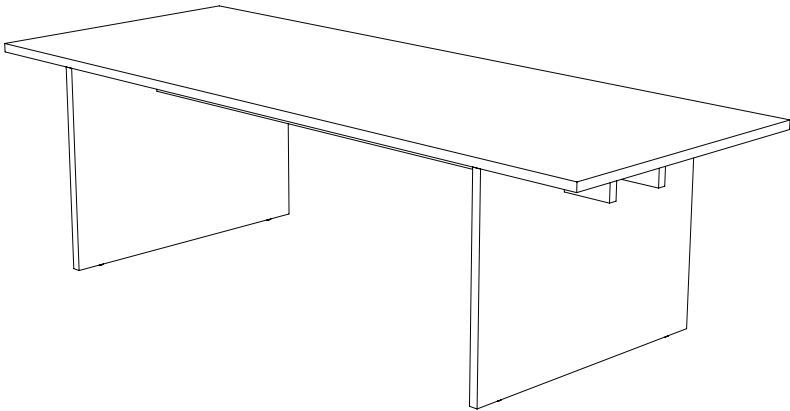




by Manuel Aires Mateus

BASE table  
200x100 | 260x100



# BASE table 200x100 | 260x100

## ABOUT

BASE is a captivating collection of wood tables and desks designed by Manuel Aires Mateus. Inspired by the concept of timelessness, these versatile pieces embody and combine a solid foundation with the warm comfort of wood.

## CARE AND MAINTENANCE

The following care instructions are recommendations only.

MOR seals its veneers with a high-quality finish. For this reason, to clean solid wood and veneered surfaces, we recommend using a soft, slightly damp cloth, with a mild detergent in the case of stubborn dirt. We recommend that you always use environmentally friendly cleaning products and care for your furniture regularly and frequently. Before using any cleaning product, you should test it on an inconspicuous spot. Please follow the cleaning product manufacturer's instructions and contact a professional cleaning company in case of stubborn dirt or stains.

To avoid stains and other damage, liquids should be wiped away immediately. Wet surfaces should be dried immediately with a cloth. To extend the life of our products we apply a natural varnish to highlight and protect the properties of the natural wood. However, wood furniture reacts to environment. Exposure to light can alter its colour and also adapt its own moisture content levels to that of its environment. In the case of excessive fluctuations in temperature and humidity, however, it reacts by cracking and warping.

## WARNING

Do not use neat, harsh, strong or abrasive cleaning fluids or furniture polish containing silicone or abrasives. They most commonly contain unsuitable solvents and/or colour additives, which ultimately leave a coating that is very difficult to remove and may affect the colour and finish of the veneer surface. If possible, avoid rubbing the surface while cleaning it, as this will make matte finishes shiny and charge the varnish with static electricity which will attract more dust.

## WHAT DOES THIS BOX CONTAIN?

Inside this box you will find two sets of legs, a table top, two structural beams and the necessary components to assemble everything: screws, a hex key and wooden dowels.



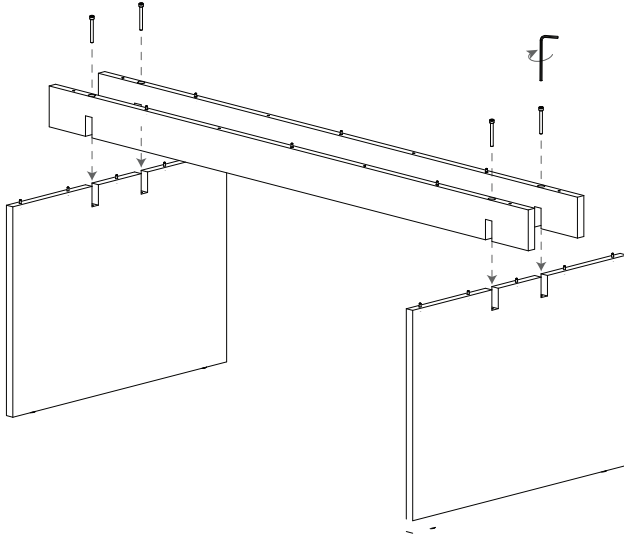
x12



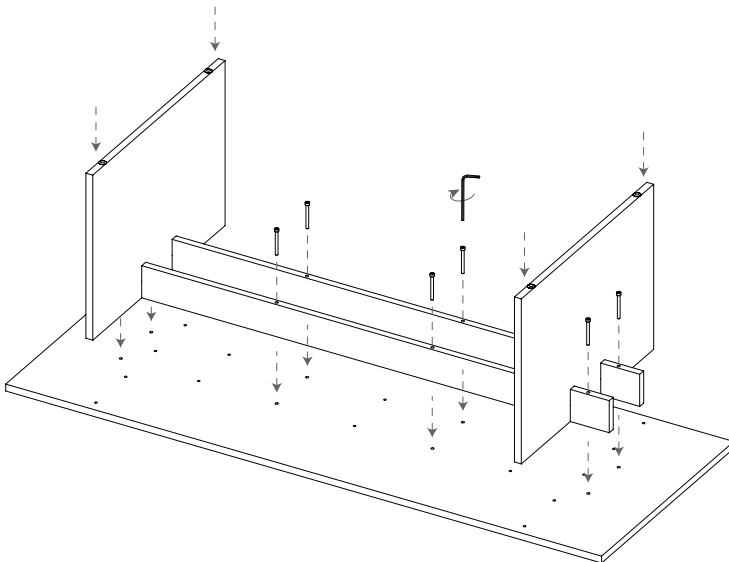
x1

## 1. ASSEMBLY INSTRUCTIONS

1. Position the two structural beams and assemble them to both legs. Then, use the provided hex key to tighten four screws.



2. Place both legs on the table top and fasten the eight screws using the provided hex key.



3. Rotate the table to its final position.

