

VB400 BODY-WORN CAMERA

The VB400 body-worn camera is designed for 21st century security personnel.



GENERAL INFORMATION

	The VB400 is suited to applications where shift-long battery life and high-quality video evidence capture is required.
Typical Usage	The VB400 represents the next generation of body-worn camera technology. Rugged build quality. High performance. Multiple ways to connect. Delivering the features you need to take control of every situation.
Management Software	VideoManager 12.1 or later. Requires VideoManager Licence.

SIZE AND WEIGHT

Dimensions	2.7 x 3.5 x 1.04 in (68 x 89 x 26.6 mm).
Weight	5.7 oz (162 g), plus mounting.

BATTERY

Battery	Integral, not user serviceable
Battery Type	Lithium-Polymer
Battery Recharging Times	Typically recharges in less than 8 hours
Capacity	Up to 12-hrs when used with optimum camera settings*

AUDIO

Audio Capture	Dual Microphone
---------------	-----------------

CAMERA

Switches	Five software-configurable switches (top switch, two small front switches and large central switch) and a slide switch (side mounted).
Lens Capture Angle	120° horizontal, 65° vertical, 140° diagonal.
Day / Night Operation	Supports low light conditions to 0.2 lux.
Notification:	Configurable LEDs, audible and vibration alerts and notifications.

CAMERA FEATURES

Peer-assisted Recording	Configurable policy to enable VB400 to record when nearby peers are recording.
Holster Sensor Option	Detect the presence of a firearm, and notify the VB400 when it's unholstered.
Pre / Post-Record Facility	Full-shift pre / post-record, with up to 2 minute pre / post-recording buffer.
RFID Assignment	Use RFID to allocate cameras to users. This enables efficient pooled issue of cameras, or RFID controlled personal allocation.
Bookmark Footage	Instantly mark important video footage by pressing a configured switch or button.
Recording Status User Notification	Vibration, visual and audible notification.
GPS	Integral GPS receiver. Mark video streams and recordings with location, and provide location data to management software.
Bluetooth®	BT 2.1 + EDR, BLE 4.2.

*Features such as Wi-Fi impact battery life.

VIDEO AND RECORDING

Video Recording Format	H.264 format with H.265 in future release
Resolution	1920 x 1080 p, 1280 x 720 p and 640 x 360 p
Frame Rate	25 or 30 frames per second
Recording Storage Capacity	64GB

APPROVALS AND ENVIRONMENTAL

Ingress Protection	IP67
Environmental Temperature Operational Rating	Recordings View,
Drop Tested	Copy and Deletion Ability

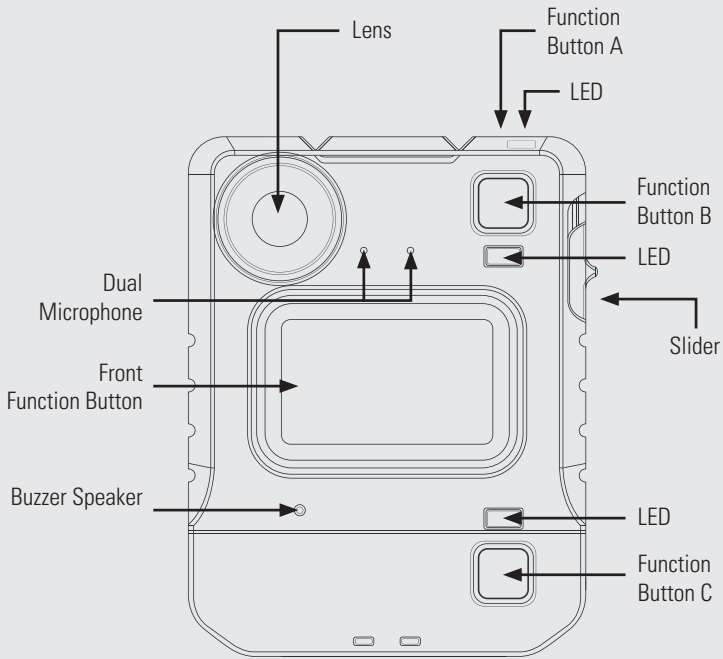
WI-FI® FEATURES

Wi-Fi Specifications	802.11 a/b/g/n (2.4GHz & 5GHz)
Wi-Fi Security	WPA2-PSK
Wi-Fi Streaming	640 x 360 25 or 30 fps
Wi-Fi Security	WPA2-PSK

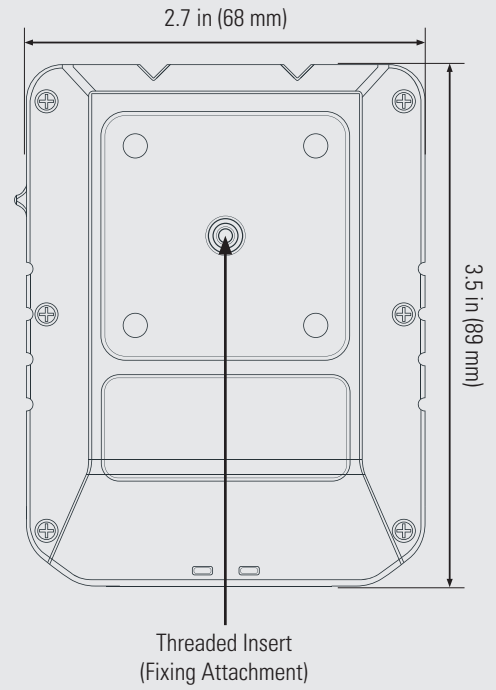
SECURITY

Network Data Security on USB Storage Media	VB400 does not appear as a USB storage device, and cannot receive files whilst connected to a Wi-Fi network.
Digital Evidence Integrity Chain	Full audit trail with generated check-sums and watermarked evidential outputs
Audit Trail	Usage, operations and recording details all audit-logged and indexed
Video Downloading Protected by Encryption	AES, encrypted keys specific to base station
Recordings View, Copy and Deletion Ability	The VB400 wearer cannot access, view or delete any recordings directly from the device
Storage Media Access	Sealed unit with no user access to storage media

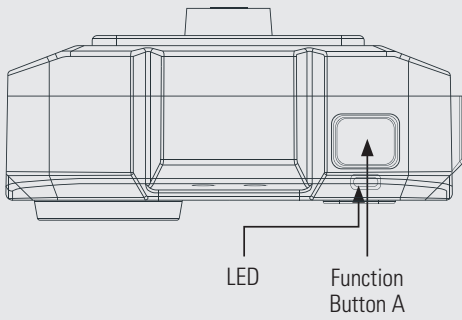
FRONT



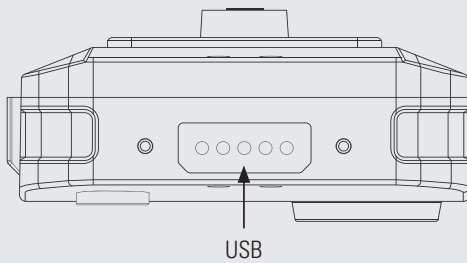
BACK



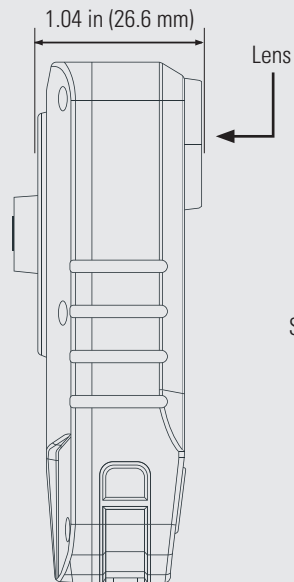
TOP



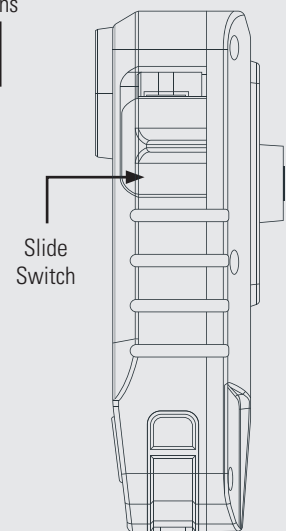
BOTTOM



RIGHT SIDE



LEFT SIDE





VB400

ACCESSORIES

VB-440-64-QR-N & ACCESSORIES

VB400 (VB-440-64-QR-N) - SUITABLE FOR ATTACHING TO THE QUICK RELEASE FIXING OPTIONS



Features include:

Wi-Fi streaming, Built-in GPS functionality, Bluetooth sensor monitoring, Ruggedized exterior, 64GB storage, Slimline battery (up to 12hrs recording time), 1 year manufacturer's warranty.

PLEASE NOTE: Requires VideoManager Enterprise Licence. Please speak to your account manager for further details.

PART NUMBER: VB-440-64-QR-N



VB-400-DOCK-SOLO



VB-400-DOCK-14/US etc.



DC-200/US etc.



RF-220



VB-400-ID-CUS-ART



VB-400-ID-CUS-100 etc.

CHARGERS, DOCKCONTROLLERS, RFIDS & CUSTOM DISPLAY STICKERS

VB-400-DOCK-SOLO

VB400 1-Port Dock

VB-400-DOCK-14/US, VB-400-DOCK-14/UK,
VB-400-DOCK-14/EU, VB-400-DOCK-14/AUS, VB-400-DOCK-14/ROW

VB400 14-Port Dock

DC-200/US, DC-200/UK, DC-200/EU, DC-200/AUS, DC-200/ROW

DockController DC-200

RF-220

RFID RF-220

RF-STICKER-10

RFID Sticker-Style Tag (x10)

RF-CARD-10

RFID-Card (x10)

VB-400-ID-CUS-ART

Custom VB400 Front-button Sticker (Design)

VB-400-ID-CUS-100, VB-400-ID-CUS-250, VB-400-ID-CUS-1000, VB-400-ID-CUS-5000

Custom VB400 Front-button Sticker (Print)

Can be ordered in the following amounts: 100, 250, 1000, 5000



VB-400-QR-KFSTUD

VB-400-QR-KFTILT



VB-400-QR-KFTILT2

VB-400-QR-SPORT



QUICK RELEASE FIXINGS

VB-400-QR-KFSTUD

Klick Fast Quick Release Stud

VB-400-QR-KFTILT

Klick Fast Quick Release Tilt Mount

VB-400-QR-KFTILT2

Klick Fast Quick Release Wide Tilt Mount

VB-400-QR-SPORT

Quick Release Sports Camera Pillar



KF-HARN3



KF-HARN4



KF-HARN5

KLICK FAST HARNESES**

KF-HARN3

Klick Fast 3-Point Chest Harness

KF-HARN4

Klick Fast 4-Point Chest Harness

KF-HARN5

Klick Fast Shoulder Harness

**Klick Fast Harnesses are compatible with the VB-440-64-QR-N when used in conjunction with Klick Fast Quick Release Fixings. Also available for the VB-440-64-KF-N camera.

VB-440-64-KF-N & ACCESSORIES

VB400 (VB-440-64-KF-N) - SUITABLE FOR DIRECTLY ATTACHING TO THE KLICK FAST FIXING OPTIONS



Features include:

Wi-Fi streaming, Built-in GPS functionality, Bluetooth sensor monitoring, Ruggedized exterior, 64GB storage, Slimline battery (up to 12hrs recording time), 1 year manufacturer's warranty.

PLEASE NOTE: Requires VideoManager Enterprise Licence. Please speak to your account manager for further details.

PART NUMBER: VB-440-64-KF-N



VB-400-DOCK-SOLO



VB-400-DOCK-14/US etc.



DC-200/US etc.



RF-220



VB-400-ID-CUS-ART



VB-400-ID-CUS-100 etc.

CHARGERS, DOCKCONTROLLERS, RFIDS & CUSTOM DISPLAY STICKERS

VB-400-DOCK-SOLO	VB400 1-Port Dock
VB-400-DOCK-14/US, VB-400-DOCK-14/UK, VB-400-DOCK-14/EU, VB-400-DOCK-14/AUS, VB-400-DOCK-14/ROW	VB400 14-Port Dock
DC-200/US, DC-200/UK, DC-200/EU, DC-200/AUS, DC-200/ROW	DockController DC-200
RF-220	RFID RF-220
RF-STICKER-10	RFID Sticker-Style Tag (x10)
RF-CARD-10	RFID-Card (x10)
VB-400-ID-CUS-ART	Custom VB400 Front-button Sticker (Design)
VB-400-ID-CUS-100, VB-400-ID-CUS-250, VB-400-ID-CUS-1000, VB-400-ID-CUS-5000	Custom VB400 Front-button Sticker (Print) Can be ordered in the following amounts: 100, 250, 1000, 5000



KLICK FAST HARNESSES

KF-HARN3	Klick Fast 3-Point Chest Harness
KF-HARN4	Klick Fast 4-Point Chest Harness
KF-HARN5	Klick Fast Shoulder Harness



KLICK FAST FIXINGS***

KF-SCREW	Klick Fast Uniform Screw-on Dock
KF-LOOP	Klick Fast Radio Loop Dock
KF-DOCKCLAMP	Klick Fast Dock Clamp (Pocket Klick Fast Dock)
KF-DOCKEP	Klick Fast Dock Epaulette
KF-MAGMOUNT	Klick Fast Magnetic Mounting Set (Supplied w/o Magnets)
KF-MOLLEVEST	Klick Fast Dock for MOLLE Vests

*** Also available for the VB-440-64-QR-N when used in conjunction with Klick Fast Quick Release Fixings.

VB-440-64-VF-N & ACCESSORIES

VB400 (VB-440-64-VF-N) - SUITABLE FOR ATTACHING TO THE CLOSE FIT MOUNT OPTIONS



Features include:

Wi-Fi streaming, Built-in GPS functionality, Bluetooth sensor monitoring, Ruggedized exterior, 64GB storage, Slimline battery (up to 12hrs recording time), 1 year manufacturer's warranty.

PLEASE NOTE: Requires VideoManager Enterprise Licence. Please speak to your account manager for further details.

PART NUMBER: VB-440-64-VF-N



CHARGERS, DOCKCONTROLLERS, RFIDS & CUSTOM DISPLAY STICKERS

VB-400-DOCK-SOLO	VB400 1-Port Dock
VB-400-DOCK-14/US, VB-400-DOCK-14/UK, VB-400-DOCK-14/EU, VB-400-DOCK-14/AUS, VB-400-DOCK-14/ROW	VB400 14-Port Dock
DC-200/US, DC-200/UK, DC-200/EU, DC-200/AUS, DC-200/ROW	DockController DC-200
RF-220	RFID RF-220
RF-STICKER-10	RFID Sticker-Style Tag (x10)
RF-CARD-10	RFID-Card (x10)
VB-400-ID-CUS-ART	Custom VB400 Front-button Sticker (Design)
VB-400-ID-CUS-100, VB-400-ID-CUS-250, VB-400-ID-CUS-1000, VB-400-ID-CUS-5000	Custom VB400 Front-button Sticker (Print) Can be ordered in the following amounts: 100, 250, 1000, 5000



CLOSE-FIT MOUNTS

VB-400-VF-MAG	Close-Fit Magnetic Mount
VB-400-VF-MOL2	Close-Fit Double MOLLE Mount

VB-440-64-ALIG-N & ACCESSORIES

VB400 (VB-440-64-ALIG-N) - COMES WITH A FACTORY FITTED ALLIGATOR CLIP



Features include:

Wi-Fi streaming, Built-in GPS functionality, Bluetooth sensor monitoring, Ruggedized exterior, 64GB storage, Slimline battery (up to 12hrs recording time), 1 year manufacturer's warranty.

PLEASE NOTE: Requires VideoManager Enterprise Licence. Please speak to your account manager for further details.

PART NUMBER: VB-440-64-ALIG-N



VB-400-DOCK-SOLO



VB-400-DOCK-14/US etc.



DC-200/US etc.



RF-220



VB-400-ID-CUS-ART



VB-400-ID-CUS-100 etc.

CHARGERS, DOCKCONTROLLERS, RFIDS & CUSTOM DISPLAY STICKERS

VB-400-DOCK-SOLO	VB400 1-Port Dock
VB-400-DOCK-14/US, VB-400-DOCK-14/UK, VB-400-DOCK-14/EU, VB-400-DOCK-14/AUS, VB-400-DOCK-14/ROW	VB400 14-Port Dock
DC-200/US, DC-200/UK, DC-200/EU, DC-200/AUS, DC-200/ROW	DockController DC-200
RF-220	RFID RF-220
RF-STICKER-10	RFID Sticker-Style Tag (x10)
RF-CARD-10	RFID-Card (x10)
VB-400-ID-CUS-ART	Custom VB400 Front-button Sticker (Design)
VB-400-ID-CUS-250, VB-400-ID-CUS-1000, VB-400-ID-CUS-5000	Custom VB400 Front-button Sticker (Print) Can be ordered in the following amounts: 250, 1000, 5000

For more information, please visit: www.motorolasolutions.com/BWC

Motorola Solutions Inc., 500 W Monroe St, Chicago, IL 60661. U.S.A

Availability is subject to individual country law and regulations. All specifications shown are typical unless otherwise stated and are subject to change without notice. MOTOROLA, MOTO, MOTOROLA SOLUTIONS and the Stylized M Logo are trademarks or registered trademarks of Motorola Trademark Holdings, LLC and are used under license. All other trademarks are the property of their respective owners.
© 2020 Motorola Solutions, Inc. All rights reserved.(09/20) (ED-002-041-19-US)