

# d'Action 360 S Parking Option (DC201A) User Manual

## Introduction

Thank you for purchasing the d'Action 360 S Parking Option (DC201A). Please ensure to read this user manual prior to use, and retain it in a safe place.

- This product is a parking monitoring option for Car Mate's d'Action 360 S (DC5000A) and d'Action 360 (DC3000A) (hereinafter collectively referred to as "camera"). When the camera is connected to a vehicle power supply, it is able to operate as parking monitor even while the engine is off.
- When the engine (ignition) is turned off, the camera automatically switches to Parking Mode.

## Caution

- Please note, Car Mate takes no responsibility for any loss arising from the use or this product, from any accidents, or from any damage to any recorded video and/or data.
- Vehicle battery conditions will vary depending on the vehicle usage and on the environment. Set the voltage monitoring function accordingly based on the battery condition. If you are unable to start the vehicle engine due to low voltage, this is an indication that the vehicle battery has deteriorated. In this case, we recommend you replace the battery in your vehicle.
- Do not allow water or foreign matter to enter the product. Doing so may result in fire or electric shock.
- This product is only for use with d'Action 360 S (DC5000A) and d'Action 360 (DC3000A). Please do not connect it to other devices. Further, ensure that you read this document together with the user manual enclosed with d'Action 360 S (DC5000A) and d'Action 360 (DC3000A) prior to use.
- This product is only for vehicles with a 12V/24V power output.
- Do not handle this product with wet hands. Doing so may result in electric shock.
- Do not attempt to disassemble or alter this product. Doing so may result in fire or electric shock.
- Do not insert metal items such as pins or needles, directly into holes or gaps. Doing so may result in product malfunction or electric shock.
- In Parking Mode, recording quality may deteriorate depending on the environment, such as in dimly lit areas, etc.
- In some vehicles, power supply to the accessories will continue for a certain period of time after the engine is turned off. In such vehicles, the switch to Parking Mode will take time.
- Parking Mode, the surface of the main camera unit may reach high temperatures.

## Product Contents

●Parking Option Unit × 1

●Cable clip × 2

●One-touch connector

- Large (blue) × 1
- Medium (red) × 2
- Small (white) × 1

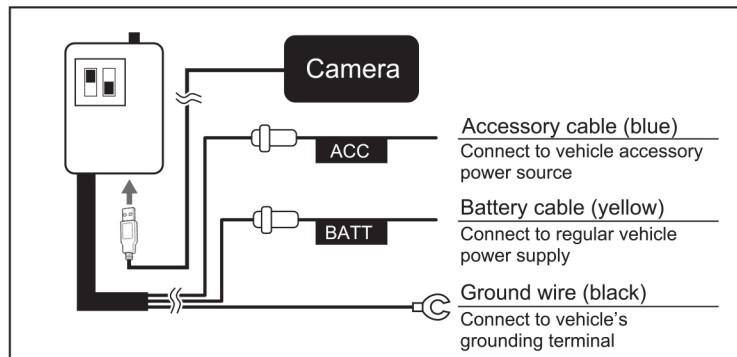
●Cable ties × 3

\*Please use the cable connector that matches the corresponding wire gauge thickness.

## Before installation

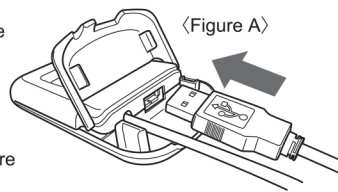
- Installation of this product and accessories requires specialized skills and knowledge. Please have your product installed at the point of purchase, or by trained installer.
- An incorrectly wired product may result in vehicle fire or malfunction. Ensure that you handle the wiring carefully so as to avoid cutting, shorting, etc.
- After installation, secure any extra cable using cable ties to prevent any obstructions to vehicle operation. Excess cable may cause interference.
- Do not damage, excessively bend, tug on or manipulate the cables. Doing so may result in electric shock or short circuiting.

## Wiring Diagram



## Installation

- Fasten the ground cable (black) to an unpainted bolt fixed to the metal part of the vehicle.
  - Caution** Failing to ground this product may lead to malfunction. Please install correctly.
  - Caution** Please do not attach the ground cable to the same bolt as other electrical equipment in the vehicle, such as audio and navigational devices. Doing so may lead to device malfunction or loss of audio memory.
- Connect the accessory cable (blue) to the vehicle wire that is 0 V when the accessory power is off, +12V when the accessory power is on.
- Connect the battery cable (yellow) to a vehicle side wire that is supplied with constant +12V.
- Open the cover of the main unit, insert the power cable USB connector included with the camera, then close the cover (Figure A).
- Ensure that the engine (ignition) is on and that the LEDs on the camera and the main unit have light up.
- Peel off the back of the sticky portion on the main unit and securely stick it to a place where operation of the product's switch is possible.



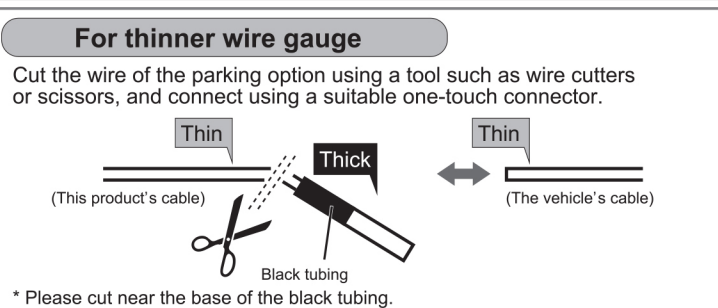
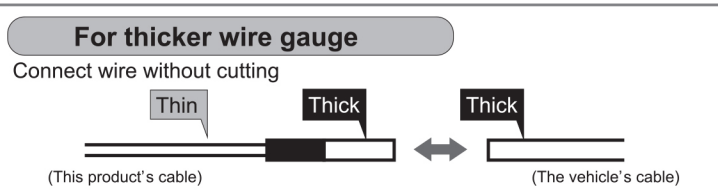
### Caution

- If there is dirt or oil on the surface you wish to stick the main unit onto, wipe the surface down using a neutral detergent, wipe with water, then wipe again with a drycloth.
- Affix to the vehicle surface firmly so that the unit will not come off. Failure to do so may interfere with driving.
- Install the main unit in a location that does not interfere with driving, obstruct the vehicle's airbags, exposed to water or direct sunlight.
- \*Please mount the main unit in the recommended mounting position in order to avoid the radio-frequency interference.
- Leave for at least 24 hours to allow the adhesive to set. Do not reposition this product, as doing so will decrease adhesive strength.
- \*Please check the camera user manual for detailed usage, such as camera LED operation specifications, etc.

## Adjusting the cables

Please select this product's battery cable and accessory cables according to wire gauge thickness of the vehicles wires.

\*Wiring with cables of different thickness may result in a loose connection or disconnection.



## Directions for Use

\* Please read the camera user manual for detailed usage directions.

### While parked

When the engine (ignition) is turned off, after temporarily powering off, the camera will automatically switch to Parking Mode. Check the camera LED and confirm that it has switched to Parking Mode.

### While driving

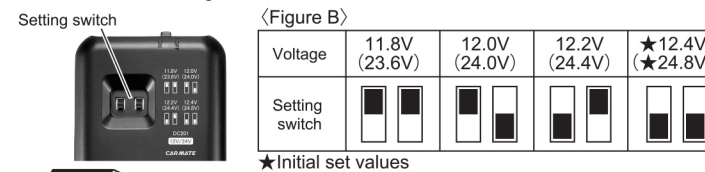
When the engine (ignition) is turned on, after temporarily powering off, the camera will automatically switch to Driving Mode. Check the camera LED and confirm that it has switched to Driving Mode.

## Settings

### Voltage monitoring function

To prevent the vehicle battery from fully discharging, the voltage control setting will stop the camera from drawing power if it reaches the preset voltage point for longer than 15 minutes approx. when the vehicle is parked. Voltage range can be set by using the dip switches (Figure B)

- Turn off the car engine (ignition)
- Set the main unit setting switch



### Note

For most vehicles, the recommended setting is 12.0 V. However, in the following cases, there is a possibility that the vehicle may have a weakened battery.

- The battery has been used for many years
- The engine has not been turned on for a long period of time
- Multiple electrical components are installed
- The battery has been used in cold climates

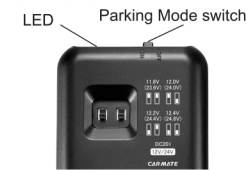
In such cases, it may be necessary to replace the battery in your vehicle.

- Start the engine (ignition) for 30 seconds, then turn the engine (ignition) off again. If the camera is operating in Parking Mode, setup is complete.

### Parking Mode Override

This function prevents the camera from automatically switching to Parking Mode. Use this function when you will not use vehicle for a long period of time. Please set according to the following steps.

- Start the engine (ignition)
- Turn off the Parking Mode switch
  - Ensure that the LED on the main unit turns off.
- Turn off the engine (ignition)
  - Ensure that the camera is not running.
  - \*To resume switching automatically to Parking Mode, start the engine (ignition), then turn on the Parking Mode switch.
  - \*Switch into Parking Mode when the LEDs on the main unit are on with the engine (ignition) started.



## LED indicators

Engine	Main unit LED	Camera operating mode	State
ON	Light up	Driving Mode	Parking Mode can be automatically set.
	Turn off	Driving Mode	Main unit Parking Mode switch is off. The camera will not switch to Parking Mode even if the engine is switched off.
OFF	Turn off	Parking Mode / Stop operation	The camera will not operate while in Parking Mode*, the Parking Mode switch is in override.

\*When the camera is running, the recording LED will light up red upon an impact to the camera unit.

## Troubleshooting

Problem	Solution
The main unit LED does not light up when the engine is on.	<ul style="list-style-type: none"> <li>The Parking Mode switch is off. → Start the engine, turn the Parking Mode switch on, then check the LED once again.</li> </ul>
It is not possible to switch to Parking Mode with the engine off.	<ul style="list-style-type: none"> <li>The Parking Mode switch is off. → Start the engine, turn the Parking Mode switch on, then turn the engine off.</li> <li>The voltage monitoring function is running → The voltage value of the vehicle battery is below the set value of this product. Try changing the set value, or replacing/charging the vehicle battery.</li> </ul>
The camera LED does not light up when the engine is on.	<ul style="list-style-type: none"> <li>The main unit fuse has blown. → Replace the blown fuse.</li> </ul>

\*If you are facing an issue that does not correspond to any of the above, please ensure that cables are wired correctly.

## Specifications

Compatible Camera (Product number)	d'Action 360 S (DC5000) d'Action 360 (DC3000)	
Power supply Voltage	DC12V/24V	
Rated output voltage	DC5V	
Approximate consumption current (including consumption current of camera)		
d'Action 360 S	DC12V	Drive mode: 400mA Parking monitoring mode: 350mA (when recording) / 10mA (standby) Drive action mode: 400mA (when recording)
	DC24V	Drive mode: 200mA Parking monitoring mode: 190mA (when recording) / 10mA (standby) Drive action mode: 200mA (when recording)
	DC12V	Drive mode: 210mA Parking monitoring mode (standby): 270mA (normal mode) / 10mA (energy-saving mode) Parking monitoring mode (when recording): 320mA
d'Action 360	DC12V	Drive mode: 120mA Parking monitoring mode (standby): 150mA (normal mode) / 10mA (energy-saving mode) Parking monitoring mode (when recording): 160mA
	DC24V	Drive mode: 120mA Parking monitoring mode (standby): 150mA (normal mode) / 10mA (energy-saving mode) Parking monitoring mode (when recording): 160mA
Continuous operation time (max)		
d'Action 360 S: Continuous Recording Mode: 30 minutes + Impact Mode: 16 hours + Energy Saving Mode: 2 weeks*1 d'Action 360: 16 hours*1, *2		
Built-in fuse	3A tube fuse × 2	
Cable length	Approx. 2 m	
External dimensions	H: 94 mm × W: 58 mm × D: 18 mm, excluding cable portion	
Weight	Approx. 105 g	
Operating temperature	10 °C to 60 °C (14 °F to 140 °F)	
Warranty period	One year	

\*1: The times provided above are approximations; camera settings, vehicle battery condition (output below the necessary operating voltage), ambient temperature, can cause a change in camera settings or halt the operation of the camera.  
\*2: This product will automatically switch to energy-saving mode after either a maximum elapsed time of 16 hours, or during operation at high temperatures. During the energy-saving mode, the camera will operate for longer hours.

## Product Warranty

### Warranty Document

This Product has been made available for purchase after having undergone strict quality control and inspection. In the event of a product failure arising from normal use, please contact the dealer at the point of purchase, or RAZO warranty center for product repair/replacement.

Purchased Product	Parking Option (DC201A)		
Date of Purchase	*Please retain proof of purchase indicating the Purchase Date alongside this Warranty Document. Month / Day / Year		
Customer Information	First Name		Last Name
	Street		
	City	State	Zip Code Country
	TEL		
Dealer Information	Dealer Name		
	Street		
	City	State	Zip Code
	TEL		

### Warranty Provisions

- In the case of product failure resulting from normal use, Car Mate will repair or exchange the product free of charge within the warranty period. (One (1) year from the date of purchase)
- Repairs will incur a charge within the warranty period pursuant to the following:
  - When this Warranty Document is not presented
  - Product failure and damage due to incorrect use, improper repair and alterations
  - Failure, damage or loss caused by mail/freight carriers incurred during shipment of parts to RAZO warranty center.
  - When there is evidence of moisture, etc., having infiltrated the product from the outside
  - Product failure and damage due to fire, earthquake, flood damage, abnormal voltage, pollution, use of power supply outside the specification (voltage / frequency), and other natural disasters and calamities
  - When the warranty certificate information has not been properly completed. Note: Valid dated sales receipt from authorized RAZO dealer can be accepted as proof of warranty coverage.
  - The external portion has been damaged
- The loss of products, parts or accessories is not covered under warranty.
- Products received from another person and resold items are not covered under warranty.
- Please present this warranty document prior to requesting repairs at your place of purchase or at a RAZO warranty center.
- This Warranty Document will not be reissued, so keep it stored in a safe place.
- This warranty is valid only for service in Americas.

### Car Mate USA, Inc.

383 Van Ness Avenue, Suite 1603 Torrance, CA 90501, USA  
info@car-mate-usa.com 310-533-4963 (FAX)  
http://www.car-mate-usa.com

United States :  
Car Mate USA, Inc.  
383 Van Ness Avenue, Suite 1603  
Torrance, CA 90501, USA  
For product questions and technical support  
please contact: info@car-mate-usa.com  
310-533-1647 (OFFICE) http://www.razo-usa.com

For other countries :  
**CAR MATE MFG. CO., LTD**  
5-33-11, Nagasaki, Toshima-ku,  
Tokyo 171-0051, Japan  
int@car-mate.co.jp  
http://www.car-mate.co.jp/english

● Product specifications and appearance are subject to change without notice for improvement.  
● Car Mate takes no responsibility for accidents arising from misuse or alteration of this product.