



# CP150™ /CP200™

**Commercial Series  
Two-Way Radio User Guide**

**Manuel de l'utilisateur  
de la radio bidirectionnelle**





## CONTENTS

Computer Software Copyrights . . . . .	2	Improved Audio Features . . . . .	16
<b>Safety and Warranty . . . . .</b>	<b>3</b>	Companding . . . . .	16
Product Safety and RF Exposure		<b>Getting Started . . . . .</b>	<b>17</b>
Compliance . . . . .	3	Battery Information . . . . .	17
Battery Information . . . . .	3	Charging Your Battery . . . . .	17
Charging Batteries . . . . .	3	Wall Charger . . . . .	17
Limited Warranty . . . . .	4	Desktop Chargers . . . . .	18
<b>Introduction . . . . .</b>	<b>9</b>	Rapid Charger . . . . .	18
Conventional Radio Systems . . . . .	9	Slow Charger . . . . .	19
CP150™/CP200™ Radio Features . . . . .	9	Accessory Information . . . . .	20
Radio Wide Features . . . . .	9	Attaching the Battery . . . . .	20
Signaling Features . . . . .	9	Removing the Battery . . . . .	20
<b>Radio Overview . . . . .</b>	<b>11</b>	Attaching the Antenna . . . . .	21
Parts of the Radio . . . . .	11	Removing the Antenna . . . . .	21
CP150/CP200 Models . . . . .	11	Attaching the Belt Clip . . . . .	22
On/Off/Volume Knob . . . . .	12	Removing the Belt Clip . . . . .	22
Channel Selector Knob . . . . .	12	Turning the Radio On or Off . . . . .	23
Push-to-Talk (PTT) Button . . . . .	12	Adjusting the Volume . . . . .	23
Microphone . . . . .	12	Selecting a Radio Channel . . . . .	23
LED Indicator . . . . .	12	Receiving . . . . .	24
Programmable Buttons . . . . .	13	Monitoring . . . . .	24
Indicator Tones . . . . .	15	Transmitting . . . . .	24
Audio Indicators for Programmable		VOX Operation . . . . .	25
Buttons . . . . .	15	Connecting a VOX Headset . . . . .	25
		Enabling or Disabling VOX . . . . .	25
		Enable/Disable Headset Sidetone . . . . .	25
		VOX Headset . . . . .	25
		Non-VOX Headset with In-Line PTT . . . . .	26

Repeater or Talkaround Mode . . . . .	26
Setting Tight or Normal Squelch . . . . .	26
Setting the Power Level . . . . .	27
<b>Radio Calls . . . . .</b>	<b>29</b>
Receiving a Selective Call . . . . .	29
Receiving a Call Alert Page . . . . .	29
<b>Scan . . . . .</b>	<b>31</b>
Talkback . . . . .	31
Starting System Scan . . . . .	31
Stopping System Scan . . . . .	31
Starting Auto Scan . . . . .	31
Stopping Auto Scan . . . . .	31
Deleting a Nuisance Channel . . . . .	32
Restoring a Channel to the Scan List . . . . .	32
Prioritizing a Scan List Member . . . . .	33
<b>Accessories . . . . .</b>	<b>35</b>
Carry Accessories . . . . .	35
Chargers . . . . .	35
Batteries . . . . .	35
Headsets . . . . .	36
Surveillance Accessories . . . . .	36
Remote Speaker Microphones . . . . .	37
Ear Microphone Systems . . . . .	37
Antennas . . . . .	38
Miscellaneous . . . . .	38

## COMPUTER SOFTWARE COPYRIGHTS

The Motorola products described in this manual may include copyrighted Motorola computer programs stored in semiconductor memories or other media. Laws in the United States and other countries preserve for Motorola certain exclusive rights for copyrighted computer programs including, but not limited to, the exclusive right to copy or reproduce in any form the copyrighted computer program. Accordingly, any copyrighted Motorola computer programs contained in the Motorola products described in this manual may not be copied, reproduced, modified, reverse-engineered, or distributed in any manner without the express written permission of Motorola. Furthermore, the purchase of Motorola products shall not be deemed to grant either directly or by implication, estoppel, or otherwise, any license under the copyrights, patents or patent applications of Motorola, except for the normal non-exclusive license to use that arises by operation of law in the sale of a product.

## SAFETY AND WARRANTY

### PRODUCT SAFETY AND RF EXPOSURE COMPLIANCE



Caution

Before using this product, read the operating instructions for safe usage contained in the Product Safety and RF Exposure booklet enclosed with your radio.

#### ATTENTION!

**This radio is restricted to occupational use only to satisfy FCC RF energy exposure requirements.** Before using this product, read the RF energy awareness information and operating instructions in the Product Safety and RF Exposure booklet enclosed with your radio (Motorola Publication part number 68P81095C98) to ensure compliance with RF energy exposure limits.

For a list of Motorola-approved antennas, batteries, and other accessories, visit the following web site which lists approved accessories: <http://www.motorola.com/cgiss/index.shtml>.

## BATTERY INFORMATION

### Charging Batteries

This product is powered by a nickel-cadmium (NICd) or lithium-ion (Lilon) rechargeable battery. Charge the battery before use to ensure optimum capacity and performance. The battery was designed specifically to be used with a Motorola charger. Charging in non-Motorola equipment may lead to battery damage and void the battery warranty.

**Note:** When charging a battery attached to a radio, turn the radio off to ensure a full charge.

The battery should be at about 77°F (25°C) (room temperature), whenever possible. Charging a cold battery (below 50° F [10°C]) may result in leakage of electrolyte and ultimately in failure of the battery. Charging a hot battery (above 95°F [35°C]) results in reduced discharge capacity, affecting the performance of the radio. Motorola rapid-rate battery chargers contain a temperature-sensing circuit to ensure that batteries are charged within the temperature limits stated above.

## LIMITED WARRANTY

### MOTOROLA COMMUNICATION PRODUCTS

#### I. WHAT THIS WARRANTY COVERS AND FOR HOW LONG:

MOTOROLA INC. ("MOTOROLA") warrants the MOTOROLA manufactured Communication Products listed below ("Product") against defects in material and workmanship under normal use and service for a period of time from the date of purchase as scheduled below:

CP150/CP200 Portable Units	Two (2) Years
Product Accessories	One (1) Year

Motorola, at its option, will at no charge either repair the Product (with new or reconditioned parts), replace it (with a new or reconditioned Product), or refund the purchase price of the Product during the warranty period provided it is returned in accordance with the terms of this warranty. Replaced parts or boards are warranted for the balance of the original applicable warranty period. All replaced parts of Product shall become the property of MOTOROLA.

This express limited warranty is extended by MOTOROLA to the original end user purchaser only and is not assignable or transferable to any other party. This is the complete warranty for the Product manufactured by MOTOROLA.

MOTOROLA assumes no obligations or liability for additions or modifications to this warranty unless made in writing and signed by an officer of MOTOROLA. Unless made in a separate agreement between MOTOROLA and the original end user purchaser, MOTOROLA does not warrant the installation, maintenance or service of the Product.

MOTOROLA cannot be responsible in any way for any ancillary equipment not furnished by MOTOROLA which is attached to or used in connection with the Product, or for operation of the Product with any ancillary equipment, and all such equipment is expressly excluded from this warranty. Because each system which may use the Product is unique, MOTOROLA disclaims liability for range, coverage, or operation of the system as a whole under this warranty.

## II. GENERAL PROVISIONS:

This warranty sets forth the full extent of MOTOROLA's responsibilities regarding the Product. Repair, replacement or refund of the purchase price, at MOTOROLA's option, is the exclusive remedy. THIS WARRANTY IS GIVEN IN LIEU OF ALL OTHER EXPRESS WARRANTIES. IMPLIED WARRANTIES, INCLUDING WITHOUT LIMITATION, IMPLIED WARRANTIES OF MERCHANTABILITY AND FITNESS FOR A PARTICULAR PURPOSE, ARE LIMITED TO THE DURATION OF THIS LIMITED WARRANTY. IN NO EVENT SHALL MOTOROLA BE LIABLE FOR DAMAGES IN EXCESS OF THE PURCHASE PRICE OF THE PRODUCT, FOR ANY LOSS OF USE, LOSS OF TIME, INCONVENIENCE, COMMERCIAL LOSS, LOST PROFITS OR SAVINGS OR OTHER INCIDENTAL, SPECIAL OR CONSEQUENTIAL DAMAGES ARISING OUT OF THE USE OR INABILITY TO USE SUCH PRODUCT, TO THE FULL EXTENT SUCH MAY BE DISCLAIMED BY LAW.

## III. STATE LAW RIGHTS:

SOME STATES DO NOT ALLOW THE EXCLUSION OR LIMITATION OF INCIDENTAL OR CONSEQUENTIAL DAMAGES OR LIMITATION ON HOW LONG AN IMPLIED WARRANTY LASTS, SO THE ABOVE LIMITATION OR EXCLUSIONS MAY NOT APPLY.

This warranty gives specific legal rights, and there may be other rights which may vary from state to state.

## IV. HOW TO GET WARRANTY SERVICE:

You must provide proof of purchase (bearing the date of purchase and Product item serial number) in order to receive warranty service and, also, deliver or send the Product item, transportation and insurance prepaid, to an authorized warranty service location. Warranty service will be provided by Motorola through one of its authorized warranty service locations. If you first contact the company which sold you the Product (e.g., dealer or communication service provider), it can facilitate your obtaining warranty service. You can also call Motorola at 1-800-927-2744 US/Canada.

## V. WHAT THIS WARRANTY DOES NOT COVER:

- A Defects or damage resulting from use of the Product in other than its normal and customary manner.
- B Defects or damage from misuse, accident, water, or neglect.
- C Defects or damage from improper testing, operation, maintenance, installation, alteration, modification, or adjustment.
- D Breakage or damage to antennas unless caused directly by defects in material workmanship.
- E A Product subjected to unauthorized Product modifications, disassemblies or repairs (including, without limitation, the addition to the Product of non-Motorola supplied equipment) which adversely affect performance of the Product or interfere with Motorola's normal warranty inspection and testing of the Product to verify any warranty claim.
- F Product which has had the serial number removed or made illegible.
- G Freight costs to the repair depot.

- H A Product which, due to illegal or unauthorized alteration of the software/ firmware in the Product, does not function in accordance with MOTOROLA's published specifications or the FCC type acceptance labeling in effect for the Product at the time the Product was initially distributed from MOTOROLA.
- I Scratches or other cosmetic damage to Product surfaces that does not affect the operation of the Product.
- J Normal and customary wear and tear.

## VI. PATENT AND SOFTWARE PROVISIONS:

MOTOROLA will defend, at its own expense, any suit brought against the end user purchaser to the extent that it is based on a claim that the Product or parts infringe a United States patent, and MOTOROLA will pay those costs and damages finally awarded against the end user purchaser in any such suit which are attributable to any such claim, but such defense and payments are conditioned on the following:

- A that MOTOROLA will be notified promptly in writing by such purchaser of any notice of such claim;



- B that MOTOROLA will have sole control of the defense of such suit and all negotiations for its settlement or compromise; and
- C should the Product or parts become, or in MOTOROLA's opinion be likely to become, the subject of a claim of infringement of a United States patent, that such purchaser will permit MOTOROLA, at its option and expense, either to procure for such purchaser the right to continue using the Product or parts or to replace or modify the same so that it becomes non-infringing or to grant such purchaser a credit for the Product or parts as depreciated and accept its return. The depreciation will be an equal amount per year over the lifetime of the Product or parts as established by MOTOROLA.

MOTOROLA will have no liability with respect to any claim of patent infringement which is based upon the combination of the Product or parts furnished hereunder with software, apparatus or devices not furnished by MOTOROLA, nor will MOTOROLA have any liability for the use of ancillary equipment or software not furnished by MOTOROLA which is attached to or used in connection with the Product. The foregoing states the entire liability of MOTOROLA with

respect to infringement of patents by the Product or any parts thereof.

Laws in the United States and other countries preserve for MOTOROLA certain exclusive rights for copyrighted MOTOROLA software such as the exclusive rights to reproduce in copies and distribute copies of such Motorola software. MOTOROLA software may be used in only the Product in which the software was originally embodied and such software in such Product may not be replaced, copied, distributed, modified in any way, or used to produce any derivative thereof. No other use including, without limitation, alteration, modification, reproduction, distribution, or reverse engineering of such MOTOROLA software or exercise of rights in such MOTOROLA software is permitted. No license is granted by implication, estoppel or otherwise under MOTOROLA patent rights or copyrights.

#### **VII. GOVERNING LAW:**

This Warranty is governed by the laws of the State of Illinois, USA.

**Notes:**

# INTRODUCTION

## CONVENTIONAL RADIO SYSTEMS

Conventional radio systems typically refer to unit-to-unit communications through a single channel. Conventional systems also allow radio users to extend communication coverage by relaying their messages through a repeater. To ensure coordinated use by multiple users, each radio user must monitor the channel or repeater before transmitting to verify that the system is not currently busy.

## CP150™/CP200™ RADIO FEATURES

### Radio Wide Features

- 4 or 16 Channels
- 2 Programmable Feature Buttons
- Busy Channel Lockout
- High/Low Power Settings (Available for 4W & 5W models only)
- Repeater/Talkaround
- Voice Operated Transmit
- Transmit Time-Out Timer

- Monitor and Sticky Monitor
- System Scan with Single Priority Scan

### Signaling Features

- MDC 1200 Signaling (Available for 4W & 5W models only)

- Selective Radio Inhibit Decode
- Radio Check Decode
- PTT ID Decode
- PTT ID Encode
- Selective Inhibit Decode

- Quik-Call II Signaling (Available for 4W & 5W models only)

- Call Alert Decode
- Selective Call Decode

- DTMF Signaling

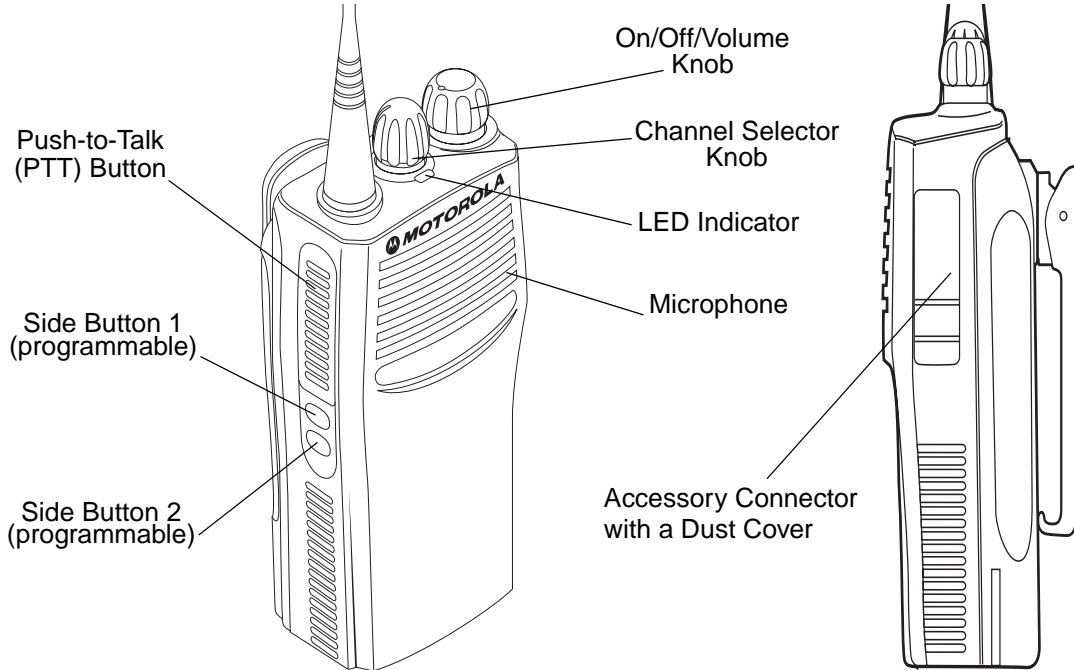
- DTMF PTT ID Encode

**Notes:**

# RADIO OVERVIEW

## PARTS OF THE RADIO

CP150/CP200 Models



**On/Off/Volume Knob**

Turns the radio on or off, and adjusts the radio's volume.

**Channel Selector Knob**

Switches the radio to different channels.

**Push-to-Talk (PTT) Button**

Press and hold down this button to talk (transmit); release it to listen.

**Microphone**

When sending a message, hold the microphone 1 to 2 inches (2.5 to 5 cm) away from your mouth, and speak clearly into it.

**LED Indicator**

Indicates power-up, transmit, receive, scan status, Call Alert™, Selective Call, Monitor, and battery status.

**Basic Features**

LED State/Color	Indication
Red	Transmitting
Flashing Red	Receiving
<b>Scan</b>	
Flashing Green	Scanning for activity
<b>Call Alert†</b>	
Flashing Yellow	Indicates receiving a Call Alert
<b>Selective Call†</b>	
Flashing Yellow	Indicates receiving a Selective Call
<b>Sticky Monitor/Open Squelch</b>	
Yellow	While monitoring
<b>Low Battery</b>	
Flashing Red when transmitting	Low battery level

†Available for 4W and 5W models only.

## Battery Charge Status

You can check battery charge status if your dealer has preprogrammed one of the programmable buttons. Hold down the preprogrammed **Battery Indicator** button. The charge status is shown by the color of the radio's LED indicator.

Battery Level	LED Indicator
Good	Green
Sufficient	Yellow
Low	Flashing Red
Very Low	None

## Programmable Buttons

The two side buttons on your radio can be programmed by your dealer as shortcuts to various radio features.

Check with your dealer for a complete list of functions your radio supports.

Some buttons can access up to two features, depending on the type of button press:

- **short press** — quickly pressing and releasing the programmable buttons
- **long press** — pressing and holding the programmable buttons for a period of time (default 1 1/2 seconds or programmed value) before releasing
- **hold down** — pressing and holding down the programmable buttons while checking status or making adjustments

Depending on how your radio has been programmed by your dealer, these functions are activated **EITHER** through a short press **OR** a long press, but **NOT** both.

A summary of programmable radio features and corresponding page references appears beginning on page 14.

In the “Feature” column, have your dealer write down the programmable buttons next to the features that have been programmed to them.

Feature	Short Press/Long Press	Hold Down	Page	Button
Battery Indicator	—	Checks the battery charge status.	13	
Sticky Monitor/ Monitor	A long press of the Monitor button initiates. A short press of the Monitor button cancels.	Monitors the selected channel for any activity.	24	
Volume Set	Sounds a tone for adjusting the radio's volume level.		23	
Voice Operated Transmission (VOX)	Toggle VOX on and off.	—	25	
Power Level†	Toggles your radio's transmit power level between High and Low power.	—	27	
Repeater/ Talkaround	Toggles between using a repeater and transmitting directly to another radio.	—	26	
Squelch	Toggles your radio's squelch level between tight and normal squelch.	—	26	




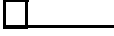
†Available for 4W and 5W models only.



Feature	Short Press/Long Press	Hold Down	Page	Button
Scan	Starts or stops the Scan operation.	—	31	
Nuisance Channel Delete	Deletes a nuisance channel while scanning.	—	31	

### INDICATOR TONES

High pitched tone  Low pitched tone

	Self Test Pass Tone
	Self Test Fail Tone
	Positive Indicator Tone
	Negative Indicator Tone

### AUDIO INDICATORS FOR PROGRAMMABLE BUTTONS

Some programmable buttons use tones to indicate one of two modes:

Button	Positive Indicator Tone	Negative Indicator Tone
Scan	<b>Start</b> scan	<b>Stop</b> scan
Power Level†	<b>High</b> power selected	<b>Low</b> power selected
Squelch	<b>Tight</b> squelch	<b>Normal</b> squelch
Repeater/Talkaround	<b>Does not use</b> repeater	<b>Uses</b> repeater
VOX	VOX <b>enabled</b>	VOX <b>disabled</b>

†Available for 4W and 5W models only.

## IMPROVED AUDIO FEATURES

### Comanding

Comanding is a feature that allows further improvement of voice quality. It compresses your voice at transmission, and expands it when receiving while simultaneously reducing extraneous noise. However, to enjoy this benefit, **all** transmitting and receiving radios must have this feature activated.

## GETTING STARTED

### BATTERY INFORMATION

#### Charging Your Battery

If a battery is new, or its charge level is very low, you will need to charge it before you can use it. When the battery level is low and the radio is in transmit mode you will see the LED indicator flash red. Upon release of the PTT button, you will hear an alert tone.

**Note:** Batteries are shipped uncharged from the factory. Always charge a new battery 14 to 16 hours before initial use, regardless of the status indicated by the charger.

**Note:** Do not use the wall charger and desktop charger at the same time when charging.

#### WALL CHARGER

**Note:** Do not use the wall charger if using lithium-ion (Li-Ion) or nickel-metal hydride (NiMH) batteries. The wall charger is for nickel-cadmium (NiCd) batteries only.

#### To Charge the Battery

- 1 Turn the radio off.
- 2 Lift the dust cover to expose the audio accessory connector.
- 3 Insert the charging adapter into the accessory connector.
- 4 Plug the charging adapter into an electrical outlet.
  - The LED on the charging adapter lights Red while the charger is plugged into an electrical outlet.

**Note:** Do not leave the charger connected to the radio when it is not connected to the electrical outlet.
- 5 Unplug the charger from the electrical outlet and radio after 10 hours.

**Note:** After the initial charge of 14 to 16 hours, do not charge the battery more than 10 hours.

## DESKTOP CHARGERS

### Rapid Charger

- 1 Turn the radio off.
- 2 Place the battery, with or without the radio, in the charger pocket.
  - The charger LED indicates the charging progress.

LED color	Status
No LED Indication	Battery inserted incorrectly or battery not detected.
Single Green Flash	Successful charger power-up.
Flashing Red*	Battery unchargeable or not making proper contact.
Steady Red	Battery is in Rapid charge mode.
Flashing Yellow	Battery in charger but waiting to be charged. The battery temperature may be too hot or too cold. The voltage may be lower than the pre-determined threshold level for charging.

LED color	Status
Flashing Green†	Battery 90% (or more) charged. Trickle charging.
Green	Battery fully charged.

\* Remove the battery from the charger and use a pencil eraser to clean the three metal contacts at the back of the battery. Place the battery back into the charger. If the LED indicator continues to flash red, replace the battery.

† A standard battery may require 90 minutes to charge to 90% capacity. Even though new batteries might prematurely indicate a full charge (steady green LED), charge the battery for 14 to 16 hours prior to initial use for best performance.

A list of Motorola authorized batteries and battery chargers appears on page 35. The listed chargers will charge only Motorola authorized batteries. Other batteries may not charge.

## Slow Charger

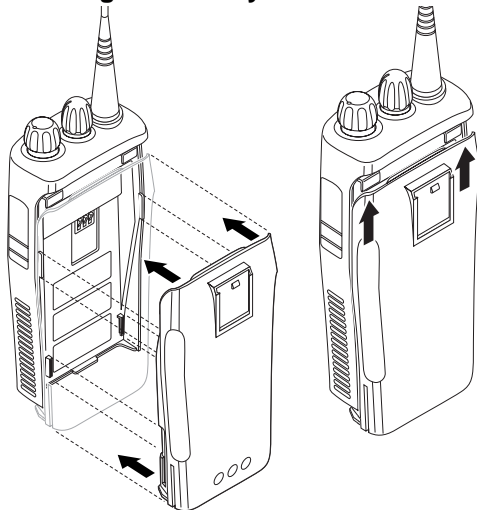
- 1 Turn the radio off.
- 2 Place the battery, with or without the radio, in the charger pocket.
  - The charger LED indicates the charging progress.

---

LED color	Status
No LED Indication	Battery inserted incorrectly or battery not detected.
Steady Red	Battery is in over night charge mode. The battery is fully charged after 11 hours.

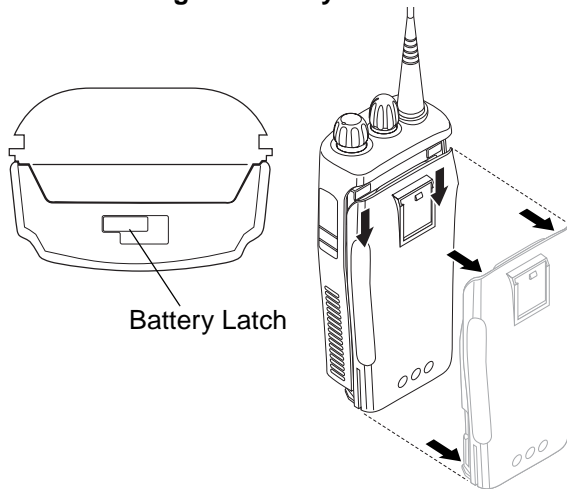
## ACCESSORY INFORMATION

### Attaching the Battery



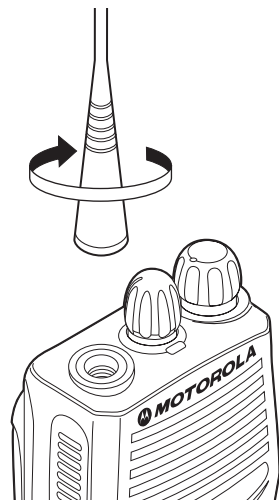
- 1 Align the battery to the battery rails on the back of the radio (approximately 1/2 in. from the top of the radio.)
- 2 Press the battery firmly to the radio and slide the battery upward until the latch snaps into place.
- 3 Slide the battery latch, located on radio bottom, into the lock position.

### Removing the Battery



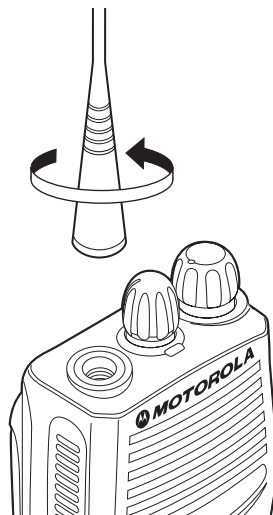
- 1 Turn off the radio if it is turned on (see page 23).
- 2 Slide the battery latch into the unlock position. Disengage by pushing downward and holding the latch towards the front of the radio.
- 3 With the battery latch disengaged, slide the battery down from the top of the radio about 1/2 in. Once the battery is free from the battery rails, lift it directly away from the radio.

## Attaching the Antenna



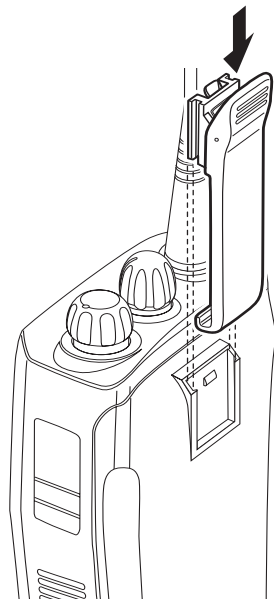
Turn the antenna clockwise to attach it.

## Removing the Antenna



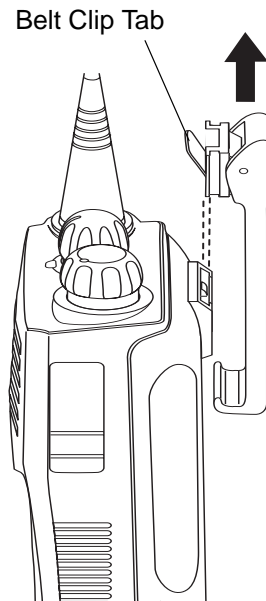
Turn the antenna counter-clockwise to remove it.

## Attaching the Belt Clip



- 1 Align the grooves of the belt clip with those of the battery.
  - 2 Press the belt clip downward until you hear a click.
- 

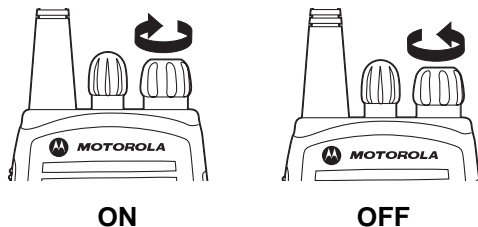
## Removing the Belt Clip



- 1 Use a key to press the belt clip tab away from the battery to unlock the belt clip.
  - 2 Slide the belt clip upward to remove it.
-



## TURNING THE RADIO ON OR OFF



Turn the **On/Off/Volume Control** knob clockwise. If power-up is successful, you will hear the Self-Test Pass Tone (   ) and see the LED flash green.

If the radio fails to power up, you will hear the Self Test Fail Tone (  ).

Turn the **On/Off/Volume Control** knob counter-clockwise until you hear a click.

## ADJUSTING THE VOLUME

- 1 Hold down the **Volume Set** button (see page 14); you will hear a continuous tone.
- 2 Turn the **On/Off/Volume Control** knob to the desired volume level.
- 3 Release the **Volume Set** button.

## SELECTING A RADIO CHANNEL

Your radio offers 4 or 16 channels.

**Note:** Due to government regulations, some channels may not be programmed. Ask your dealer for more information.

To select a channel, turn the **Channel Selector** knob clockwise or counterclockwise until you reach the desired channel.

## RECEIVING

- 1 Turn your radio on.
- 2 Adjust the radio's volume (see page 23).
- 3 Switch to the desired channel. To respond, hold the radio in a vertical position, press the **PTT**, and talk at a distance of about 1 to 2 inches (2.5 to 5 cm) from the microphone.

## MONITORING

It is important to monitor traffic before transmitting to ensure that you do not “talk over” someone who is already transmitting.

- 1 Press and hold the preprogrammed **Monitor** button to access channel traffic.
- 2 Once channel traffic has cleared, proceed with your call by pressing the **PTT** button.
- 3 A long press of the preprogrammed **Monitor** button places the radio in Sticky Monitor mode.
  - You hear a high-pitched tone.

A short press of the **Monitor** button cancels Sticky Monitor mode and returns the radio to normal operation.

## TRANSMITTING

- 1 Turn your radio on.
- 2 Use the **Channel Selector** knob to select the desired channel.
- 3 Hold the radio in a vertical position, press the **PTT**, and talk at a distance of about 1 to 2 inches (2.5 to 5 cm) from the microphone.
- 4 Release the **PTT** to listen.

## VOX OPERATION

When hands-free operation is desired, your radio can be activated by voice alone using the VOX feature when you speak through an accessory that is connected to your radio.

### Connecting a VOX Headset

- 1 Turn off your radio.
- 2 Connect the VOX accessory to your radio and turn the radio on.

### Enabling or Disabling VOX

To enable or disable VOX operation, press the preprogrammed **VOX** button (see page 14).

**Note:** Pressing the PTT button disables VOX.

– or –

You can select channels to enable or disable VOX as preprogrammed by your dealer.

- 1 Select a channel that has been preprogrammed by your dealer to enable VOX.  
**Note:** Pressing the **PTT** button disables VOX.
- 2 Select a channel that has not been preprogrammed by your dealer to disable VOX.

## ENABLE/DISABLE HEADSET SIDETONE

Your dealer can program your radio so you can hear your voice through a headset while you speak.

### VOX Headset

- 1 Turn off your radio.
- 2 Connect the VOX accessory to your radio.
- 3 Turn the radio on. During transmit, you will hear your voice through the headset while you speak.

- 4 To disable the headset sidetone, turn off your radio and turn the radio on again.

---

### Non-VOX Headset with In-Line PTT

- 1 Turn off your radio.
  - 2 Connect the non-VOX accessory to your radio.
  - 3 Press and hold the In-line PTT on your headset.
  - 4 Turn the radio on and release the PTT once the radio has completed start-up. During transmit, you will hear your voice through the headset while you speak.
  - 5 To disable the headset sidetone, turn off your radio and turn the radio on again.
- 

## REPEATER OR TALKAROUND MODE

Talkaround Mode enables you to communicate with another radio when either:

- the repeater is not operating
- *or* –
- your radio is out of the repeater's range but within communicating distance of another radio.

Press the preprogrammed **Repeater/Talkaround** button (see page 14) to toggle between Repeater mode and Talkaround Mode.

## SETTING TIGHT OR NORMAL SQUELCH

Use this feature to filter out nuisance (unwanted) calls and/or background noise. However, tightening squelch could cause calls from remote locations to be filtered out as well. In this case, normal squelch may be more desirable.

Press the preprogrammed **Squelch** button (see page 14) to toggle between tight and normal squelch.

## SETTING THE POWER LEVEL

(Available for 4W and 5W models only)

Each channel in your radio has a predefined transmit power level that can be changed.

- *High power* allows you to reach a radio that is farther away.
- *Low power* conserves the battery's charge.

Press the preprogrammed **Power Level** button (see page 14) to toggle between low and high power.

**Notes:**

## RADIO CALLS

### RECEIVING A SELECTIVE CALL (Available for 4W and 5W models only)

When you receive a Selective Call:

- The LED indicator flashes yellow, if programmed by your dealer.
- You hear two high pitched tones.

- 1 To acknowledge the call, press and release the **PTT** button.
- 2 Press and hold the **PTT** button to talk; release to listen.

### RECEIVING A CALL ALERT PAGE (Available for 4W and 5W models only)

When you receive a Call Alert page:

- The LED indicator flashes yellow, if programmed by your dealer.
- You hear four high pitched tones.

To acknowledge the page, press and release the **PTT** button; to cancel the page, press any other key.

**Notes:**



## SCAN

Your radio is equipped with the Scan feature, which allows you to monitor multiple channels for voice activity. The radio will stop on a channel when it detects activity on it.

Your radio automatically switches to a channel within the scan list when it detects activity.

The LED indicator blinks green during a scan operation and stops blinking when the radio switches to a channel.

There are two types of Scan available in your radio:

- System Scan
- Auto Scan

## TALKBACK

The Talkback feature allows you to respond to a transmission while scanning. If a transmission is detected on a channel while scanning, the radio will stop on that channel for a default period of time after activity has ceased. This is referred to as “hangtime”. During this hangtime you may respond by pressing the **PTT** button.

**Note:** The LED scan indicator stops blinking while the radio is in hangtime. If the **PTT** button is not pressed during the preprogrammed hangtime, the radio returns to scanning channels.

## STARTING SYSTEM SCAN

Press the preprogrammed **Scan** button (see page 14).

## STOPPING SYSTEM SCAN

Press the preprogrammed **Scan** button.

## STARTING AUTO SCAN

Auto Scan automatically starts scanning once a channel with Auto Scan enabled is selected.

Select the channel that your dealer has preprogrammed for Auto Scan.

## STOPPING AUTO SCAN

Select a channel that has not been preprogrammed for Auto Scan.

## DELETING A NUISANCE CHANNEL

**Note:** Your dealer must preprogram a button to **Nuisance Delete** (see page 14) to access this feature.

If a channel continually generates unwanted calls or noise (a “nuisance” channel), you can temporarily remove it from the scan list:

- 1 While the radio is on the Nuisance Channel, press the preprogrammed **Nuisance Channel Delete** button until you hear a tone.

- 2 Release the **Nuisance Channel Delete** button. The nuisance channel is deleted.

**Note:** You cannot temporarily delete the channel that has been preprogrammed as your designated scan channel, a priority channel, or the last remaining channel in the scan list.

---

## Restoring a Channel to the Scan List

- 1 Power off the radio. Once the radio is powered on again, the deleted nuisance channels are restored to the scan list.

– or –

- 1 Press the preprogrammed **Scan** button to stop the scan.

- 2 Press the preprogrammed **Scan** button again to start scanning again. The Deleted Nuisance Channels are restored to the scan list.

– or –

- 1 Select a different channel. Once you return to the original channel, the deleted nuisance channels are restored to the scan list.

---

## PRIORITIZING A SCAN LIST MEMBER

You may want your radio to scan a specific channel more frequently for calls. Your dealer can prioritize scan list members for you. Check with your dealer for details.

Priority Channel	Scanning Sequence
None specified	Ch1 → Ch2 → Ch3 → Ch4 → ... Ch1
Channel 2	Ch2 → Ch1 → Ch2 → Ch3 → Ch2 → Ch4 → Ch2 → ... Ch1

Even though your radio has switched to a non-priority channel, it will still check for activity on the priority channel. If activity is detected, the radio will switch to the priority channel.

**Notes:**

## ACCESSORIES

Motorola offers a number of accessories to enhance the productivity of your two-way radio. Many of the available accessories are listed below.

### CARRY ACCESSORIES

HLN9701	Nylon Case with Belt Loop
RLN5383	Leather Case with Belt Loop
RLN5384	Leather Case with 2-1/2 inch Swivel
RLN5385	Leather Case with 3 inch Swivel
HLN8255	3 inch Spring Action Belt Clip
RLN5644	2 inch Spring Action Belt Clip
HLN6602	Universal Chest Pack
1505596Z02	Replacement Strap for HLN6602 Universal Chest Pack
RLN4815	Universal RadioPak
4280384F89	Replacement Belt Lengthener for RLN4815 Universal RadioPak
NTN5243	Shoulder Strap for Hard Leather Cases (attaches to D-Shaped Rings on case)
HLN9985	Waterproof Bag

## CHARGERS

WPLN4138_R	Rapid Desktop Charger w/US NA 120 V Plug
EPNN7997	10 Hr. US NA 120 V Plug (plugs directly into radio accessory connector, used ONLY with battery NNTN4496)
WPLN4155_R	10 Hr. Desktop Charger w/US NA 120 V Plug (used ONLY with battery NNTN4496)
EPNN7994	Rapid US NA 120 V Plug
WPLN4161_R	Rapid Six (6) Pocket Multi-Unit Charger w/US NA 120 V Plug

## BATTERIES

NNTN4496_R	NiCd, 1100 mAH
NNTN4497_R	Li-Ion, 1800 mAH
NNTN4851	NiMH, 1400 mAH
NNTN4970	Slim Li-Ion, 1600 mAH

## HEADSETS

RLN5411	Ultra-Lite Breeze Behind the Head Headset
PMMN4001	Ultra-Lite Earset with Mic and PTT
HMN9013	Lightweight Headset w/o In-line PTT
RMN4016	Lightweight Headset with In-line PTT
RLN5238	Lightweight Headset with In-line PTT, NFL Style
HMN9021	Medium Weight Over the Head Dual Muff Headset
HMN9022	Medium Weight Behind the Head Dual Muff Headset
BDN6647	Medium Weight Single Speaker Headset
BDN6648	Heavy Duty Dual Muff Headset with Noise Canceling Microphone
RMN5015	Heavy Duty Dual Muff Racing Headset (requires RKN4090 Headset Adapter Cable)
RMN4051	2-Way Hard Hat Mount, Black, Noise Reduction Rating (22 dB) (requires RKN4094)
RMN4054	Receive-Only Hard Hat Mount Headset w/3.5mm Right Angle Plug
RMN4055	Receive-Only Headband Style Headset w/3.5mm Right Angle Plug

RKN4090	Adapter Cable (for use with headset RMN5015)
RKN4094	In-Line PTT Adapter (for use with headset RMN4051)
REX4648	Replacement Foam Ear Pad and Windscreen Kit (for use with headsets RMN9013 & RMN4016)
7580376E34	Replacement Ear Seals (for use with headsets HMN9021 & HMN9022)
5080371E66	Replacement Ear Pad (for use with headset BDN6647)
3580371E59	Replacement Wind Screen (for use with headset BDN6647)

## SURVEILLANCE ACCESSORIES

HMN9752	Earpiece with Volume Control, 1-Wire (plastic earloop) (Beige)
HMN9727	Earpiece without Volume Control, 1-Wire (plastic earloop) (Beige)
RLN4894	Earpiece without Volume Control, 1-Wire (plastic earloop) (Black)
HMN9754	Earpiece with Microphone & PTT Combined, 2-Wire (Beige)
RLN4895	Earpiece with Microphone & PTT Combined, 2-Wire (Black)

RLN5198	Earpiece with Microphone & PTT Combined, 2-Wire w/Low Noise Kit NTN8371 (Beige)
BDN6720	Flexible Ear Receiver without Volume Control (RX only)
HMN9036	Earbud with Microphone & PTT Combined, 2-Wire (Black)
HLN9132	Earbud Single Wire Receive Only (Black)
NTN8370	Extreme Noise Kit
NTN8371	Low Noise Kit
RLN4760	Small Custom Clear Earpiece, Right Ear (for use with low noise kit NTN8371)
RLN4763	Small Custom Clear Earpiece, Left Ear (for use with low noise kit NTN8371)
RLN4761	Medium Custom Clear Earpiece, Right Ear (for use with low noise kit NTN8371)
RLN4764	Medium Custom Clear Earpiece, Left Ear (for use with low noise kit NTN8371)
RLN4762	Large Custom Clear Earpiece, Right Ear (for use with low noise kit NTN8371)

RLN4765	Large Custom Clear Earpiece, Left Ear (for use with low noise kit NTN8371)
5080384F72	Replacement Noise Attenuating Plug for NTN8370
5080371E73	Replacement Ear Tip (for use with low noise kit NTN8371) (Beige)
5080371E75	Replacement Ear Tip (for use with low noise kit NTN8371) (Black)
7580372E11	Replacement Ear Cushion (for use with earpiece BDN6720)

## REMOTE SPEAKER MICROPHONES

HMN9030	Remote Speaker Microphone with Coil Cord and Clip Back
HKN9094	Replacement Cord (for use with remote speaker microphone HMN9030)

## EAR MICROPHONE SYSTEMS

BDN6646	Standard Ear Mic with PTT Only Interface
BDN6706	Standard Ear Mic with PTT and VOX Interface

0180358B38	Ring Push-to-Talk Switch (for use with ear microphone systems BDN6646 & BDN6706)
0180300E83	Body Switch Push-to-Talk (for use with ear microphone systems BDN6646 & BDN6706)
0180300E25	Ear Guard with Adjustable Loop
0180358B32	Ear Holder, Black, Small
0180358B33	Ear Holder, Black, Medium
0180358B34	Ear Holder, Black, Large
0180358B35	Ear Holder, Clear, Small
0180358B36	Ear Holder, Clear, Medium
0180358B37	Ear Holder, Clear, Large

## ANTENNAS

NAD6502_R	VHF Heliflex Antenna 14cm, 146-174 MHz
HAD9742	VHF Stubby Antenna, 9cm, 146-162 MHz
HAD9743	VHF Stubby Antenna, 9cm, 162-174 MHz
NAE6522_R	UHF Heliflex Stubby Antenna 9cm, 438-470 MHz
8505816K26	UHF Heliflex Stubby Antenna 7.1cm, 470-520 MHz
NAE6483_R	Flexible Whip Antenna, 403-520 MHz

## MISCELLANEOUS

RLN5500	Accessory Retainer Kit (for use with any audio accessory that needs to be secured to the radio due to demanding customer environments)
TDN9327	Portable Radio Hanger for door panels up to 2.75 inch (slides over and hangs from the door panel in vehicle, radio belt clip required)
TDN9373	Portable Radio Hanger for door panels up to 2.75 to 3.25 inch (slides over and hangs from the door panel in vehicle, radio belt clip required)



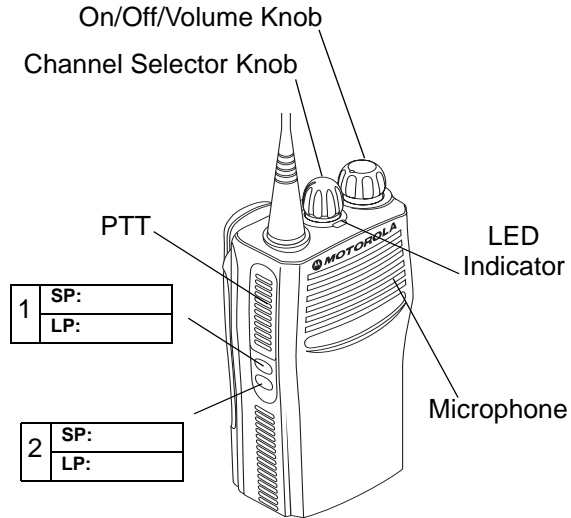
## LED Indicators

LED State/Color	Indication
Red	Transmitting
Flashing Red	Receiving
<b>Scan</b> Flashing Green	Scanning for activity
<b>Low Battery</b> Flashing Red while transmitting	Low battery level
<b>Call Alert†</b> Flashing Yellow	Indicates receiving a Call Alert
<b>Selective Call†</b> Flashing Yellow	Indicates receiving a Selective Call
<b>Sticky Monitor/Monitor</b> Yellow	While monitoring.
<b>Battery Charge Status</b> Green Yellow Flashing Red None	Good Sufficient Low Very Low

†Available for 4W and 5W models only.



## CP150™/CP200™ Quick Reference Card



**NOTE:** Enter the functions for your radio's two programmable buttons in the boxes provided above. **SP** represents *Short Press*, while **LP** represents *Long Press*.

## Turning On the Radio

- Turn **On/Off/Volume Control** knob clockwise. If the radio successfully powers up, you will hear the Self Test Pass tone and see the LED light green. If the radio fails to power up, you will hear the Self Test Fail tone.

## Turning Off the Radio

- Turn **On/Off/Volume Control** knob counter-clockwise until you hear a click.

## Adjusting the Radio Volume

1. Press and hold **Volume Set** button (preprogrammed by your dealer) until you hear a continuous tone.
2. Turn **On/Off/Volume Control** knob to adjust volume level.
3. Release **Volume Set** button at desired volume level.

## Selecting a Radio Channel

- Turn **Channel Selector** knob clockwise or counter-clockwise to reach desired channel.

## Receiving

1. Turn on the radio.
2. Adjust the volume level.
3. Select the radio channel.

## Transmitting

1. With radio on, turn **Channel Selector** knob to required channel.
2. Press **PTT** and speak clearly with mouth about 2.5 to 5 cm (1 to 2 inches) away from microphone.
3. Release **PTT** when call is completed.

## Audio Indicators for Programmable Buttons

Programmable Buttons	Positive Indicator Tone	Negative Indicator Tone
Scan	<b>Start</b> Scan operation	<b>Stop</b> Scan operation
Power Level†	Radio transmits at <b>high</b> power	Radio transmits at <b>low</b> power
Squelch	Radio operates in <b>tight</b> squelch	Radio operates in <b>normal</b> squelch
Repeater/Talkaround	Radio <b>DOES NOT</b> use the repeater	Radio uses the repeater
VOX	VOX enabled	VOX disabled

†Available for 4W and 5W models only.

## Starting or Stopping Scan

1. Press the preprogrammed **Scan** button to start scan. The LED indicator blinks green during scan operation. Or, select a channel that has been preprogrammed for Auto Scan to start scan.
2. Press the **Scan** button again to stop scan. Or, select a channel that has not been preprogrammed for Auto Scan to stop scan.

## Deleting a Nuisance Channel

1. With radio on a Nuisance Channel, press and hold the preprogrammed **Nuisance Delete** button until you hear a tone.
2. Release the **Nuisance Delete** button.

## SOMMAIRE

Droit D'auteur et Copie du Logiciel . . . . .	3	Indicateurs sonores pour les touches programmables . . . . .	17
<b>Sécurité et garantie . . . . .</b>	<b>5</b>	Fonctions audio améliorées . . . . .	18
Sécurité du produit et respect des normes relatives à l'exposition à l'énergie électromagnétique . . . . .	5	X-Pand. . . . .	18
Informations sur la pile . . . . .	5	<b>Mise en route . . . . .</b>	<b>19</b>
Chargement des piles . . . . .	5	Informations sur la pile . . . . .	19
Garantie limitée . . . . .	6	Recharge de la pile . . . . .	19
<b>Introduction . . . . .</b>	<b>11</b>	Chargeur mural. . . . .	19
Systèmes radio conventionnels . . . . .	11	Chargeurs de bureau . . . . .	20
Fonctions des radios CP150™/CP200™ . 11		Chargeur rapide. . . . .	20
Fonctions communes à toutes les radios . . . . .	11	Chargeur lent. . . . .	21
Fonctions de signalisation . . . . .	11	Informations sur les accessoires . . . . .	22
<b>Aperçu de la radio . . . . .</b>	<b>13</b>	Installation de la pile . . . . .	22
Pièces de la radio . . . . .	13	Retrait de la pile. . . . .	22
Modèles CP150/CP200 . . . . .	13	Installation de l'antenne. . . . .	23
Bouton Marche/Arrêt/Volume. . . . .	14	Retrait de l'antenne . . . . .	23
Bouton de sélection de canal. . . . .	14	Installation de l'agrafe de ceinture. . . . .	24
Bouton de conversation . . . . .	14	Retrait de l'agrafe de ceinture . . . . .	24
Microphone . . . . .	14	Mise sous tension et hors tension de la radio . . . . .	25
Voyant DEL . . . . .	14	Réglage du volume. . . . .	25
Touches programmables . . . . .	15	Sélection d'un canal radio. . . . .	25
Tonalités . . . . .	17	Réception . . . . .	26
		Surveillance . . . . .	26
		Transmission . . . . .	26
		Utilisation en mode VOX . . . . .	27
		Branchement d'un casque VOX . . . . .	27
		Activation ou désactivation de VOX . . . . .	27

Activer/Désactiver le casque d'écoute latérale . . . . .	27	Casques d'écoute . . . . .	38
Casque VOX . . . . .	27	Accessoires de surveillance . . . . .	38
Casque non-VOX avec bouton de conversation aligné . . . . .	28	Haut-parleur/microphone à distance . . . . .	40
Mode Relais ou Intercommunication . . . . .	28	Systèmes de microphone auriculaire . . . . .	40
Réglage silencieux ou normal du bruit de fond . . . . .	28	Antennes . . . . .	40
Réglage du niveau de puissance . . . . .	29	Divers . . . . .	41
<b>Appels radio . . . . .</b>	<b>31</b>		
Réception d'un appel sélectif . . . . .	31		
Réception d'un Avis d'appel . . . . .	31		
<b>Balayage . . . . .</b>	<b>33</b>		
Réponse . . . . .	33		
Activation du balayage du système . . . . .	33		
Désactivation du balayage du système . . . . .	33		
Activation du balayage automatique . . . . .	33		
Désactivation du balayage automatique . . . . .	34		
Suppression d'un canal importun . . . . .	34		
Réintégration d'un canal dans la liste de balayage . . . . .	34		
Donner la priorité à un membre de la liste de balayage . . . . .	35		
<b>Accessoires . . . . .</b>	<b>37</b>		
Accessoires de transport . . . . .	37		
Chargeurs . . . . .	37		
Piles . . . . .	37		

## **DROIT D'AUTEUR ET COPIE DU LOGICIEL**

Les produits Motorola décrits dans le présent guide peuvent inclure des logiciels Motorola protégés en vertu de la loi sur le droit d'auteur enregistrés dans des mémoires à semi-conducteurs ou dans d'autres supports. Les lois du Canada, des États-Unis et d'autres pays protègent, au nom de Motorola, certains droits exclusifs visant les logiciels, y compris mais non de façon limitative, les droits exclusifs de copie et de reproduction des logiciels protégés par la loi sur le droit d'auteur. Par conséquent, la loi sur le droit d'auteur protégeant tous les logiciels inclus avec les produits décrits dans le présent guide interdit toute copie, reproduction, modification, ingénierie à rebours ou distribution de ces logiciels sans l'autorisation écrite expresse de Motorola. Par surcroît, aucune licence n'est accordée directement, par inférence, estoppel ou autre en vertu des droits d'auteur, des droits de brevets ou d'une demande de brevet pour tout achat d'un produit Motorola, à l'exception d'une licence d'utilisation normale et non exclusive délivrée par l'exécution d'une loi lors de la vente d'un produit.



## SÉCURITÉ ET GARANTIE

### SÉCURITÉ DU PRODUIT ET RESPECT DES NORMES RELATIVES À L'EXPOSITION À L'ÉNERGIE ÉLECTROMAGNÉTIQUE



Avant d'utiliser ce produit, veuillez lire les consignes d'exploitation pour une utilisation sécuritaire contenues dans le livret Sécurité du produit et consignes relatives à l'exposition à l'énergie électromagnétique livré avec votre radio.

#### ATTENTION !

**Cette radio ne doit être utilisée qu'à des fins professionnelles de sorte à respecter les règlements de la FCC quant aux normes d'exposition à l'énergie électromagnétique.**

Avant d'utiliser ce produit, lisez les informations relatives à l'exposition à l'énergie électromagnétique et le mode d'emploi dans le livret Sécurité du produit et consignes relatives à l'exposition à l'énergie électromagnétique livré avec votre radio (Numéro de publication

Motorola 68P81095C98) pour assurer le respect des limites d'exposition à l'énergie électromagnétique.

Visitez le site Web suivant pour obtenir la liste des antennes, piles et autres accessoires approuvés par Motorola : <http://www.motorola.com/cgiss/index.shtml>.

### INFORMATIONS SUR LA PILE

#### Chargement des piles

Cet appareil fonctionne à l'aide d'une pile au nickel-cadmium (NICd) ou d'une pile rechargeable aux ions de lithium (Lilon). Chargez la pile avant son utilisation afin d'assurer une capacité et une performance optimales. La pile a été conçue pour être utilisée avec un chargeur Motorola. Le fait de charger une pile à l'aide d'un accessoire non approuvé par Motorola peut endommager la pile et annuler sa garantie.

**Remarque :** Lorsque vous chargez une pile reliée à la radio, éteignez l'appareil afin d'assurer une charge complète.

Idéalement, la pile doit être conservée à la température ambiante (environ 25° C ou 77° F).

Charger une pile froide (température inférieure à 10° C ou 50° F) peut entraîner une fuite d'électrolyte et, en bout de ligne, la défaillance de la pile. Inversement, charger une pile chaude (température supérieure à 35° C ou 95° F) réduit la capacité de décharge, atténuant ainsi le rendement de la radio. Les chargeurs de pile à taux rapide de Motorola sont dotés d'un circuit de détection de température pour assurer que la pile est chargée conformément aux températures spécifiées.

## GARANTIE LIMITÉE

### PRODUITS DE TÉLÉCOMMUNICATIONS MOTOROLA

#### I. PROTECTION ASSURÉE PAR LA PRÉSENTE GARANTIE ET DURÉE DE CELLE-CI :

MOTOROLA, INC. (« MOTOROLA ») garantit les produits de télécommunications (le « Produit ») fabriqués par Motorola contre tout défaut de matériel ou de fabrication dans des conditions normales d'exploitation et d'entretien, pour une période d'un an à compter de la date d'achat, tel que stipulé ci-dessous.

CT150/CT200 Appareils portatifs	Deux (2) ans
Accessoires de produit	Un (1) an

À sa discrétion, MOTOROLA réparera sans frais le Produit (avec des pièces neuves ou remises à neuf), le remplacera (par un Produit neuf ou remis à neuf) ou remboursera le prix d'achat du Produit durant la période de garantie, à condition que le Produit soit retourné au lieu d'achat conformément aux termes de la présente garantie. Les pièces et les cartes remplacées sont garanties pour le reste de la période garantie d'origine. Toute pièce remplacée du Produit devient la propriété de MOTOROLA.



Cette garantie limitée expresse est accordée par MOTOROLA à l'acheteur ou à l'utilisateur final d'origine seulement et ne peut être ni transférée ni assignée à un tiers. La présente constitue la garantie complète du Produit fabriqué par MOTOROLA. MOTOROLA n'accepte aucune obligation ni responsabilité pour un quelconque ajout ou modification apportés à la présente garantie, à moins qu'il ne s'agisse d'un document écrit signé par un cadre supérieur de MOTOROLA. Sauf dans le cadre d'une entente distincte conclue entre MOTOROLA et l'acheteur ou l'utilisateur final d'origine, MOTOROLA ne garantit pas l'installation, l'entretien, ni la réparation du Produit.

MOTOROLA se dégage de toute responsabilité à l'égard de tout équipement ou accessoire qui n'est pas fourni par MOTOROLA et qui est branché sur le Produit ou utilisé conjointement avec celui-ci, du fonctionnement du Produit utilisé conjointement avec tout équipement et accessoire et tous les équipements de cette nature sont expressément exclus de la présente garantie. Compte tenu du caractère unique de chaque système de Produit, MOTOROLA se dégage de toute responsabilité à l'égard de la portée, de la diffusion ou du fonctionnement du système.

## II. CLAUSES GÉNÉRALES :

La présente garantie précise l'entière responsabilité de MOTOROLA à l'égard du Produit. À la discrétion de MOTOROLA, la réparation du Produit, son remplacement ou le remboursement de son prix d'achat constituent le seul recours. DANS LA LIMITE PERMISE PAR LA LOI, CETTE GARANTIE REMPLACE TOUTE AUTRE GARANTIE EXPRESSE OU IMPLICITE, Y COMPRIS, SANS S'Y LIMITER, LES GARANTIES IMPLICITES DE QUALITÉ MARCHANDE ET DE CONVENANCE POUR UN USAGE PARTICULIER ET ELLE SE LIMITE À LA DURÉE DE LA PRÉSENTE GARANTIE LIMITÉE. EN AUTANT QUE LE PERMETTE LA LOI, MOTOROLA NE POURRA EN AUCUN CAS ÊTRE TENUE RESPONSABLE POUR DES DOMMAGES DONT LA VALEUR DÉPASSE LE PRIX D'ACHAT DU PRODUIT, NI POUR LES PERTES DE TEMPS, L'INCONVÉNIENT, LES PERTES COMMERCIALES, LES PERTES DE PROFIT OU D'ÉCONOMIES, NI POUR TOUT AUTRE DOMMAGE INDIRECT, SPÉCIAL OU CONSÉCUTIF RÉSULTANT DE L'UTILISATION OU L'INCAPACITÉ D'UTILISER CE PRODUIT.

### III. DROITS PRÉVUS PAR LES LOIS PROVINCIALES :

CERTAINES PROVINCES NE PERMETTENT AUCUNE EXCLUSION NI LIMITATION QUANT AUX DOMMAGES CONSÉCUTIFS OU INDIRECTS, NI AUCUNE LIMITE SUR LA DURÉE D'UNE GARANTIE IMPLICITE, DE SORTE QUE LES LIMITES OU EXCLUSIONS MENTIONNÉES PLUS HAUT PEUVENT NE PAS S'APPLIQUER DANS VOTRE CAS.

La présente garantie confère des droits juridiques précis et il est possible que vous jouissiez d'autres droits, selon votre province de résidence.

### IV. ENTRETIEN COUVERT PAR LA GARANTIE :

Pour que l'entretien soit couvert par la garantie, vous devez fournir une preuve d'achat (portant la date d'achat et le numéro de série du Produit). De plus, vous devez livrer ou expédier le Produit, en payant d'avance les frais de transport et d'assurance, à un centre de service autorisé. Les réparations sous garantie seront effectuées par Motorola à l'un de ses centres de service autorisés. Dans certains cas, il est plus facile d'obtenir les réparations couvertes par la garantie en s'adressant d'abord à l'entreprise qui vous a vendu le Produit (c'est-à-dire le détaillant ou votre fournisseur de services de télécommunications).

Vous pouvez également appeler Motorola au 1 800 927-2744 aux États-Unis et au Canada.

### V. CETTE GARANTIE NE COUVRE PAS :

- A Les défauts ou bris résultant d'une utilisation autre que normale ou habituelle du Produit.
- B Les défauts ou bris causés par une mauvaise utilisation, un accident, l'eau ou la négligence.
- C Les défauts ou bris résultant d'un essai, d'une utilisation, d'un entretien, d'une installation, d'une modification ou d'un réglage fautifs.
- D Les bris ou dommages causés aux antennes, sauf s'ils sont le résultat direct d'un défaut de matériel ou de fabrication.
- E Un Produit soumis à des modifications, des réparations ou un démontage non autorisés (y compris, sans s'y limiter, l'ajout au Produit d'un équipement quelconque non fourni par Motorola) et qui ont un effet négatif sur le rendement du Produit ou qui nuisent à l'inspection ou à l'essai normal sous garantie du Produit par Motorola en cas de réclamation.
- F Tout Produit dont le numéro de série a été enlevé ou rendu illisible.
- G Les frais d'expédition au centre de réparation.

- H Tout produit qui, à cause de modifications illégales ou interdites apportées au logiciel ou au micrologiciel du Produit, ne fonctionne pas conformément aux spécifications énoncées par MOTOROLA ou sur l'étiquette de conformité FCC en vigueur pour ce Produit lorsque le Produit a été initialement distribué par MOTOROLA.
- I Les égratignures et autres dommages superficiels qui ne nuisent pas au fonctionnement du Produit.
- J L'usure et le vieillissement normaux et habituels.

## VI. CLAUSES RELATIVES AU BREVET ET AU LOGICIEL :

MOTOROLA défendra à ses frais toute poursuite menée en justice contre l'acheteur ou l'utilisateur, dans la mesure où la poursuite s'appuie sur la plainte selon laquelle le Produit ou des pièces enfreignent un brevet américain ou canadien et MOTOROLA paiera ces frais, incluant les dommages accordés au détriment de l'acheteur ou de l'utilisateur par suite de toute poursuite judiciaire et attribuables à une quelconque plainte de cette nature, mais une telle défense et un tel paiement sont soumis aux conditions suivantes :

- A MOTOROLA doit être promptement avisée par écrit par l'acheteur ou l'utilisateur de tout avis se rapportant à une telle plainte ;

- B MOTOROLA mènera comme elle l'entend sa défense contre une telle poursuite, de même que toute négociation en vue de tout règlement ou compromis ; et
- C si le Produit ou les pièces devaient faire l'objet, ou de l'avis de MOTOROLA, pourraient vraisemblablement faire l'objet d'une poursuite pour contrefaçon d'un brevet américain ou canadien, l'acheteur ou l'utilisateur accordera le droit à MOTOROLA, à la discrétion et aux frais de cette dernière, soit de procurer à l'acheteur ou à l'utilisateur le droit de continuer d'utiliser le Produit ou les pièces, soit de remplacer ou de modifier ces derniers de manière à ce qu'ils n'enfreignent plus le brevet, soit d'accorder à l'acheteur ou à l'utilisateur un crédit équivalent à la valeur dépréciée du Produit ou des pièces et d'accepter de reprendre ceux-ci. La dépréciation représentera un montant égal pour chaque année de durée de vie utile du Produit ou des pièces, tel que déterminé par MOTOROLA.

MOTOROLA se dégage de toute responsabilité à l'égard de toute poursuite pour contrefaçon de brevet fondée sur une adaptation du Produit ou des pièces mentionnées dans la présente à un logiciel, un appareil ou un équipement non fourni par MOTOROLA. MOTOROLA se dégage également de toute responsabilité à l'égard de tout équipement ou logiciel qui n'est pas fourni

par MOTOROLA et qui est rattaché au Produit ou utilisé conjointement avec ce dernier. Ce qui précède énonce l'entière responsabilité de MOTOROLA pour la contrefaçon de brevets relative au Produit ou à toute pièce de ce dernier.

Les lois au Canada, aux États-Unis et dans d'autres pays protègent au nom de MOTOROLA certains droits exclusifs visant les logiciels dont MOTOROLA possède les droits exclusifs de reproduire des copies et de distribuer des copies desdits logiciels MOTOROLA. Les logiciels MOTOROLA ne peuvent être utilisés qu'avec les Produits à l'intérieur desquels ils étaient installés à l'origine. Il est interdit de remplacer, de copier, de distribuer, de modifier d'aucune façon et d'utiliser le logiciel à l'intérieur du Produit en vue de fabriquer un quelconque produit dérivé. Aucune autre utilisation, y compris sans s'y limiter, l'altération, la modification, la reproduction, la distribution ou l'ingénierie à rebours, d'un quelconque logiciel MOTOROLA n'est permise. Aucune licence n'est accordée pour inférence, estoppel ou autre en vertu des droits de brevets ou des droits d'auteur de MOTOROLA ou de tiers.

## **VII. LOI APPLICABLE :**

Cette garantie est régie par les lois de l'état de l'Illinois aux É.-U.

## INTRODUCTION

### SYSTÈMES RADIO CONVENTIONNELS

Par systèmes radio conventionnels, on entend généralement les communications radio-à-radio par l'entremise d'un canal unique. Les systèmes conventionnels permettent également aux utilisateurs d'étendre le rayon de communication en transmettant leurs messages à l'aide d'un relais. Pour assurer l'utilisation cohérente de plusieurs utilisateurs, chaque utilisateur de radio doit surveiller le canal ou le relais avant de transmettre leur message afin de vérifier que le système n'est pas actuellement occupé.

### FONCTIONS DES RADIOS CP150™/CP200™

#### Fonctions communes à toutes les radios

- 4 ou 16 canaux
  - 2 touches de fonction programmables
  - Verrouillage de canal occupé
- Réglages de puissance forte/basse (disponible uniquement pour les modèles de 4 et 5 W)
  - Relais/Intercommunication
  - Émission commandée par la voix
  - Avis de délai de transmission écoulé
  - Surveillance et surveillance continue
  - Balayage du système avec balayage prioritaire unique

#### Fonctions de signalisation

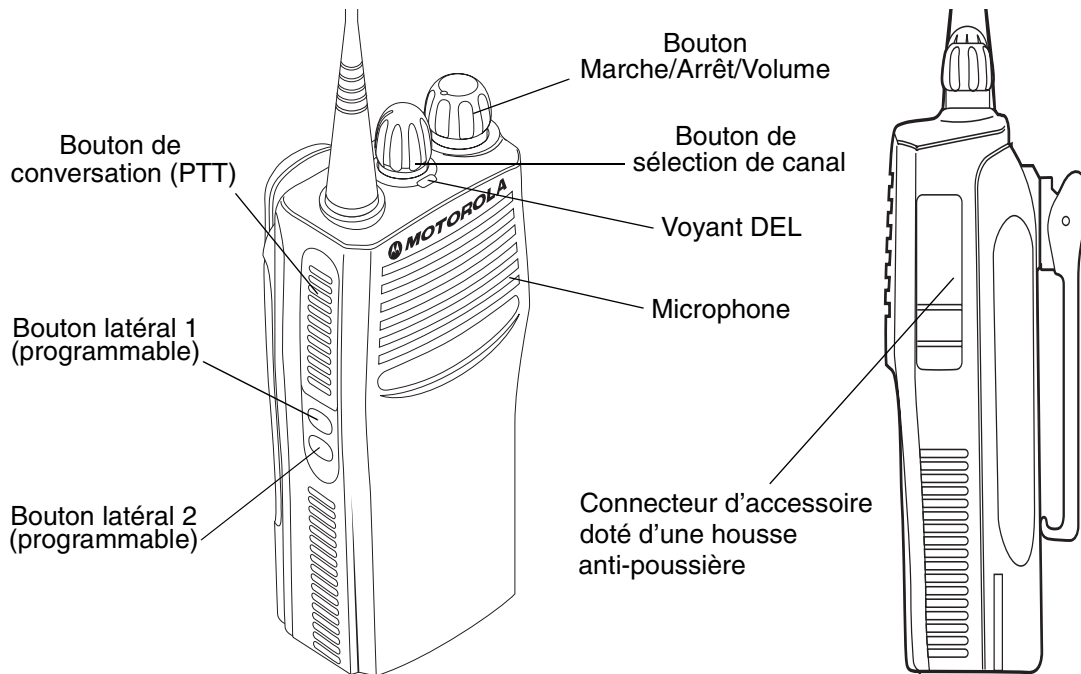
- Signalisation MDC 1200 (disponible uniquement pour les modèles de 4 et 5 W)
  - Décryptage de radio sélective interdite
  - Décryptage de vérification de la radio
  - Décryptage d'ID de bouton de conversation
  - Codage d'ID de bouton de conversation
  - Décryptage sélectif interdit

- Signalisation Quik-Call II (disponible uniquement pour les modèles de 4 et 5 W)
  - Décryptage d'avis d'appel
  - Décryptage d'appel sélectif
- Signalisation DTMF
  - Codage d'ID de bouton de conversation DTMF

## APERÇU DE LA RADIO

## PIÈCES DE LA RADIO

Modèles CP150/CP200



**Bouton Marche/Arrêt/Volume**

Permet de mettre la radio sous tension ou hors tension et d'en régler le volume.

**Bouton de sélection de canal**

Permet à la radio de passer à différents canaux.

**Bouton de conversation**

Appuyez sur le bouton de conversation et maintenez-le enfoncé pour parler (transmettre); relâchez-le pour écouter.

**Microphone**

Lorsque vous envoyez un message, tenez la radio à environ 2,5 à 5 cm (1 à 2 po) de votre bouche, et parlez clairement dans le microphone.

**Voyant DEL**

Indique la mise sous tension, la transmission, la réception, l'état du balayage, un Avis d'AppelMC, un appel sélectif, la surveillance et l'état de la pile.

**Fonctions de base**

Couleur/État du voyant DEL	Indication
Rouge	Transmission
Rouge clignotant	Réception
<b>Balayage</b>	
Vert clignotant	Recherche d'activité
<b>Avis d'appel<sup>†</sup></b>	
Jaune clignotant	Indique la réception d'un Avis d'appel
<b>Appel sélectif<sup>†</sup></b>	
Jaune clignotant	Indique la réception d'un Appel sélectif
<b>Surveillance prudente/Réglage silencieux ouvert</b>	
Jaune	Pendant la surveillance
<b>Pile faible</b>	
Rouge clignotant pendant la transmission	Niveau de la pile faible

<sup>†</sup>Disponible uniquement pour les modèles de 4 et 5 W.



### État de charge de la pile

Vous pouvez vérifier l'état de charge de la pile si votre détaillant a préprogrammé l'une des touches programmables. Maintenez enfoncé le bouton **Indicateur de niveau de la pile** préprogrammé. L'état de charge est indiqué par la couleur du voyant DEL de la radio.

Niveau de la pile	Indicateur DEL
Bon	Vert
Suffisant	Jaune
Faible	Rouge clignotant
Très faible	Aucun

### Touches programmables

Les deux boutons latéraux de votre radio peuvent être programmés par votre détaillant comme raccourcis vers diverses fonctions de votre radio.

Votre détaillant peut vous donner la liste complète des fonctions prises en charge par votre radio.

Certaines touches peuvent donner accès à deux fonctions. Selon le type de touche, procédez comme suit :

- **Appui de courte durée**—appuyez rapidement et relâchez la touche programmable, ou
- **Appui de longue durée**—maintenez la touche programmable enfoncée pendant un certain temps (1 ½ secondes par défaut ou délai programmable) avant de la relâcher
- **Maintenir enfoncée**—appuyez sur la touche programmable et maintenez-la enfoncée lors de la vérification de l'état ou en effectuant des ajustements.

Selon la programmation de votre radio par le détaillant, ces fonctions sont activées **SOIT** par un appui de courte durée, **SOIT** par un appui de longue durée, mais **PAS** les deux.

Vous trouverez un résumé des fonctions programmables de votre radio et les pages de référence correspondantes à la page 16.

Dans la colonne « Fonction », le détaillant inscrit les touches programmables à côté des fonctions correspondantes.





Fonction	Appui de courte durée/Appui de longue durée	Touche enclenchée	Page	Touche
Indicateur de niveau de la pile	—	Vérifie l'état de chargement de la pile.	15	
Surveillance continue/ Surveillance	Un appui de longue durée sur la touche Surveillance l'active, Un appui de courte durée sur la touche Surveillance l'annule.	Surveillance des activités d'un canal sélectionné.	26	
Réglage du volume	Émet une tonalité vous permettant d'ajuster le volume de votre radio.		25	
Émission commandée par la voix (VOX)	Bascule entre la mise en marche et l'arrêt de la fonction VOX.	—	27	
Niveau de puissance†	Bascule entre le niveau élevé et le niveau faible de la puissance d'émission de votre radio.	—	29	
Relais/ Intercommunication	Bascule entre l'utilisation d'un relais conventionnel et la transmission directe à une autre radio.	—	28	
Silencieux	Bascule entre le niveau de réglage silencieux et normal de votre radio.	—	28	

† Disponible uniquement pour les modèles de 4 et 5 W.

Fonction	Appui de courte durée/Appui de longue durée	Touche enclenchée	Page	Touche
Balayage	Active ou désactive le balayage.	—	33	
Supprimer canal importun	Supprime un canal importun pendant le balayage.	—	33	

## TONALITÉS

Tonalité aiguë  Tonalité grave

	Tonalité de réussite du test d'auto-contrôle
	Tonalité d'échec du test d'auto-contrôle
	Tonalité positive
	Tonalité négative

## INDICATEURS SONORES POUR LES TOUCHES PROGRAMMABLES

Certaines touches programmables utilisent des tonalités pour distinguer deux modes:

Touche	Tonalité positive	Tonalité négative
Balayage	<b>Activer</b> balayage	<b>Désactiver</b> balayage
Niveau de puissance <sup>†</sup>	<b>Puissance</b> élevée sélectionnée	<b>Puissance</b> basse sélectionnée
Silencieux	<b>Réglage</b> silencieux	<b>Réglage</b> normal

Touche	Tonalité positive	Tonalité négative
Relais/Inter-communication (touche Rptr/Directe)	<b>N'utilise pas de relais</b> (répéteur)	<b>Utilise un</b> relais
VOX	VOX <b>activée</b>	VOX <b>désactivée</b>

† Disponible uniquement pour les modèles de 4 et 5 W.

## FONCTIONS AUDIO AMÉLIORÉES

### X-Pand

Cette fonction permet une amélioration plus poussée des qualités sonores de votre radio. Elle compresse votre voix lors de la transmission, puis l'étend pendant la réception tout en réduisant les bruits parasites. Cependant, pour vraiment profiter de cet avantage, **toutes** les radios émettrices et réceptrices doivent activer cette fonction.

## MISE EN ROUTE

### INFORMATIONS SUR LA PILE

#### Recharge de la pile

Si la pile est neuve ou si son niveau est très faible, vous devez la recharger avant de l'utiliser. Lorsque le niveau de la pile est faible et que la radio est en mode de transmission, le voyant DEL rouge clignote. Lorsque vous relâchez le bouton de conversation, un signal d'avis se fait entendre.

**Remarque :** Lorsqu'elles arrivent directement de l'usine, les piles ne sont pas chargées. Avant une première utilisation, il faut toujours charger une pile neuve entre 14 et 16 heures, quel que soit l'état indiqué sur le chargeur.

**Remarque :** N'utilisez pas le chargeur mural et le chargeur de bureau simultanément pendant la recharge.

## CHARGEUR MURAL

**Remarque :** N'utilisez pas le chargeur mural avec une pile aux ions de lithium ou à hydrure métallique de nickel (NiMH). Le chargeur mural ne doit être utilisé qu'avec les piles au nickel-cadmium (NiCd).

Pour charger une pile :

- 1 Éteignez la radio.
- 2 Soulevez la housse anti-poussière pour exposer le connecteur d'accessoire audio.
- 3 Insérez l'adaptateur de charge dans le connecteur d'accessoire.

- 4 Branchez l'adaptateur de charge dans une prise de courant.
- La DEL rouge de l'adaptateur de charge s'allume lorsque le chargeur est branché dans une prise électrique.

**Remarque :** Ne laissez pas le chargeur connecté à la radio lorsque qu'il n'est pas branché dans la prise électrique.

- 5 Débranchez le chargeur de la prise électrique et de la radio après 10 heures.

**Remarque :** Après la charge initiale de 14 à 16 heures, ne chargez pas la pile pendant plus de 10 heures.

## CHARGEURS DE BUREAU

### Chargeur rapide

- 1 Éteignez la radio.
- 2 Insérez la pile dans le compartiment du chargeur, avec ou sans la radio.
- Le voyant DEL du chargeur indique l'état de la recharge.

Couleur du voyant DEL	État
Les voyants DEL n'affichent rien	La pile est mal insérée ou n'est pas détectée.
Vert clignotant simple	Mise sous tension du chargeur réussie.
Rouge clignotant*	Impossible de recharger la pile ou problème de contact.
Rouge permanent	Pile en mode de recharge rapide.
Jaune clignotant	La pile est insérée dans le chargeur et attend d'être rechargée. Il se peut que la température de la pile soit trop chaude ou trop froide. La tension est peut être inférieure au seuil prédéterminé pour la recharge.
Vert clignotant†	Pile rechargée à 90 % (ou plus). Recharge lente.
Vert	La pile est complètement rechargée.

- \* Retirez la pile du chargeur et utilisez une gomme à effacer pour nettoyer les trois contacts métalliques situés à l'arrière de la pile. Réinsérez la pile dans le chargeur. Si le voyant DEL continue de clignoter en rouge, remplacez la pile.
- † Une pile standard peut nécessiter 90 minutes pour se charger à 90 % de sa capacité. Les nouvelles piles peuvent indiquer une recharge complète prématurément (voyant DEL vert permanent). Pour assurer une performance optimale, la charge initiale doit durer de 14 à 16 heures.

Vous trouverez à la page 37 une liste des piles et chargeurs de piles autorisés par Motorola. Les chargeurs indiqués ne chargent que les piles autorisées par Motorola. D'autres piles sont susceptibles de ne pas se charger.

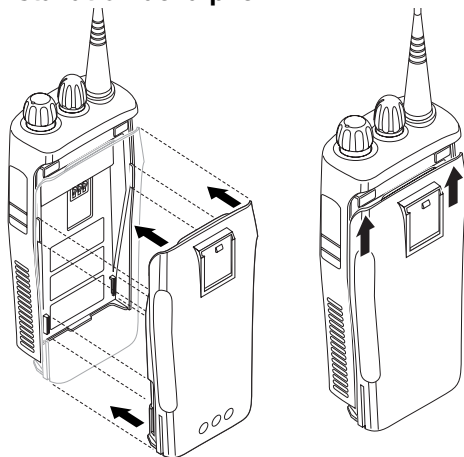
## Chargeur lent

- 1 Éteignez la radio.
- 2 Insérez la pile dans le compartiment du chargeur, avec ou sans la radio.
  - Le voyant DEL du chargeur indique l'état de la recharge.

Couleur du voyant DEL	État
Les voyants DEL n'affichent rien	La pile est mal insérée ou n'est pas détectée.
Rouge permanent	Pile en mode de recharge de nuit. La pile est complètement chargée après 11 heures.

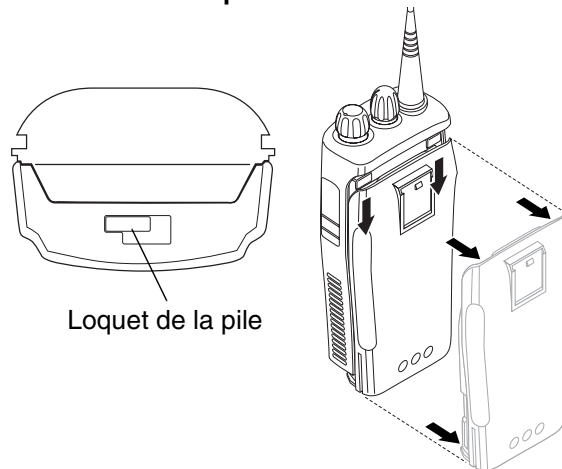
## INFORMATIONS SUR LES ACCESSOIRES

### Installation de la pile



- 1 Alignez la pile sur les repères à l'arrière de la radio (un peu plus d'un cm à partir du dessus de la radio.)
- 2 Appuyez fermement sur la pile contre la radio, puis faites glisser la pile vers le haut jusqu'à ce que le loquet s'insère en place.
- 3 Faites glisser le loquet de la pile situé au bas de la radio en position de verrouillage.

### Retrait de la pile

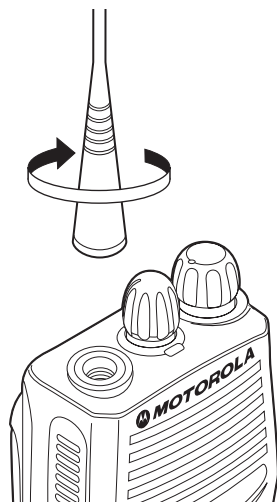


Loquet de la pile

- 1 Éteignez la radio si elle est sous tension (voir la page 25).
- 2 Faites glisser le loquet de la pile en position de déverrouillage. Déclenchez le loquet en poussant vers le bas et en l'orientant vers le devant de la radio.
- 3 Désaccouplez le loquet de la pile et faites glisser la pile vers le bas de la radio d'environ 1 cm. Une fois la pile libérée du compartiment, enlevez-la directement de la radio.

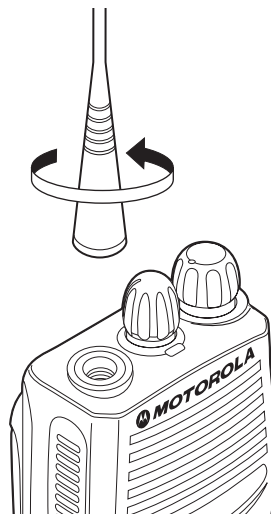


## Installation de l'antenne



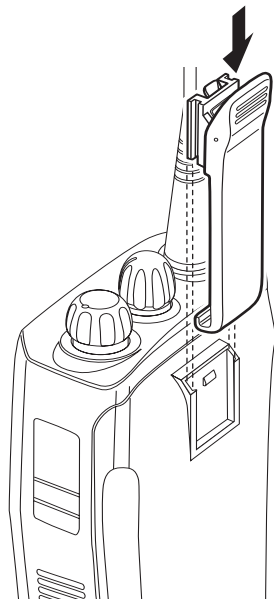
Vissez l'antenne dans le sens horaire pour la fixer à la radio.

## Retrait de l'antenne



Dévissez l'antenne dans le sens antihoraire pour la retirer.

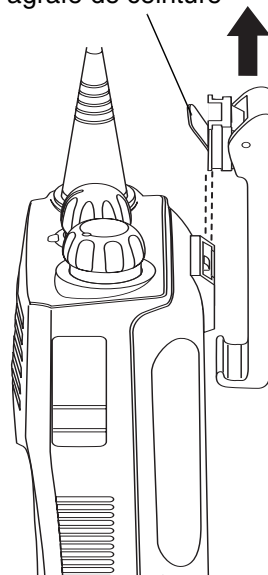
## Installation de l'agrafe de ceinture



- 1 Alignez les rainures de l'agrafe de ceinture sur celles de la pile.
- 2 Exercez une pression vers le bas sur l'agrafe de ceinture, jusqu'à ce qu'un déclic se fasse entendre.

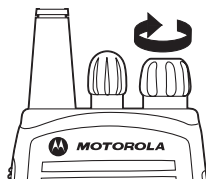
## Retrait de l'agrafe de ceinture

Support de l'agrafe de ceinture



- 1 À l'aide d'une clé, appuyez sur le support de l'agrafe de ceinture pour le retirer de la pile.
- 2 Faites glisser l'agrafe de ceinture vers le haut pour l'enlever.

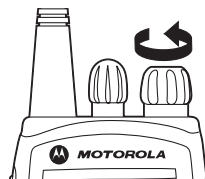
## MISE SOUS TENSION ET HORS TENSION DE LA RADIO



**MARCHÉ**

Faites tourner le bouton **Marche/Arrêt/Réglage du volume** dans le sens horaire. Lorsque la mise sous tension s'effectue correctement, vous entendez la tonalité de réussite du test d'auto-contrôle (   ) et la DEL verte clignote.

Lorsque la mise sous tension échoue, vous entendez la tonalité d'échec du test d'auto-contrôle (  ).



**ARRÊT**

Faites tourner le bouton **Marche/Arrêt/Réglage du volume** dans le sens antihoraire jusqu'à ce qu'un déclic se fasse entendre.

## RÉGLAGE DU VOLUME

- 1 Maintenez le bouton **Réglage du volume** enfoncé (voir la page 16); une tonalité continue se fait entendre.
- 2 Faites tourner le bouton **Marche/Arrêt/Volume** pour obtenir le niveau de volume désiré.
- 3 Relâchez le bouton **de réglage du volume**.

## SÉLECTION D'UN CANAL RADIO

Votre radio offre de 4 à 16 canaux.

**Remarque :** En raison de réglementations gouvernementales, certains canaux peuvent ne pas être programmés. Renseignez-vous auprès de votre détaillant.

Pour sélectionner un canal, faites tourner le bouton du **Sélecteur de canal** dans le sens horaire ou antihoraire jusqu'à ce que vous atteigniez le canal souhaité.

## RÉCEPTION

- 1 Allumez la radio.
- 2 Réglez le volume de votre radio (reportez-vous à la page 25).
- 3 Trouvez le canal désiré. Pour répondre, maintenez la radio en position verticale, appuyez sur le **bouton de conversation** et parlez à une distance d'environ 2,5 à 5 cm (1 à 2 po) du microphone.

## SURVEILLANCE

Il est important de surveiller le trafic avant de transmettre pour vous assurer que vous « n'écrasez pas » un appel déjà en cours.

- 1 Appuyez sur la touche **Surveillance** préprogrammée et maintenez-la enfoncée pour accéder au trafic du canal.
- 2 Une fois le trafic du canal supprimé, effectuez votre appel en appuyant sur le **bouton de conversation**.

- 3 Un appui de longue durée sur la touche **Surveillance** préprogrammée met la radio en mode Surveillance continue.
  - Une tonalité aiguë se fait entendre.

Un appui de courte durée sur la touche **Surveillance** annule le mode Surveillance continue. La radio retourne à son mode de fonctionnement normal.

## TRANSMISSION

- 1 Allumez la radio.
- 2 Utilisez le bouton du **Sélecteur de canal** pour sélectionner le canal désiré.
- 3 Maintenez la radio en position verticale, appuyez sur le **bouton de conversation** et parlez à une distance d'environ 2,5 à 5 cm (1 à 2 po) du microphone.
- 4 Relâchez le **bouton de conversation** pour écouter.

## UTILISATION EN MODE VOX

Pour fonctionner en mode mains libres, votre radio peut être activée par la voix uniquement à l'aide de la fonction VOX lorsque vous parlez dans un accessoire connecté à votre radio.

### Branchement d'un casque VOX

- 1 Éteignez votre radio.
- 2 Connectez l'accessoire VOX à votre radio, puis allumez-la.

### Activation ou désactivation de VOX

Pour activer ou désactiver la fonction VOX, appuyez sur la touche **VOX** préprogrammée (veuillez vous reporter à la page 16).

**Remarque :** Appuyez sur le bouton de conversation pour désactiver la fonction VOX.

—ou—

Vous pouvez sélectionner des canaux pour activer ou désactiver la fonction VOX préprogrammée par votre détaillant.

- 1 Sélectionnez un canal préprogrammé par votre détaillant pour activer la fonction VOX.  
**Remarque :** Appuyez sur le **bouton de conversation** pour désactiver la fonction VOX.
- 2 Sélectionnez un canal qui n'a pas été préprogrammé par votre détaillant pour désactiver la fonction VOX.

## ACTIVER/DÉSACTIVER LE CASQUE D'ÉCOUTE LATÉRALE

Votre détaillant peut programmer votre radio de sorte que vous puissiez entendre votre voix dans un casque pendant que vous parlez.

### Casque VOX

- 1 Éteignez votre radio.
- 2 Connectez l'accessoire VOX à votre radio.

- 3 Allumez la radio. Pendant la transmission, vous entendrez votre voix dans le casque lorsque vous parlerez.
- 4 Pour désactiver le casque d'écoute latérale, éteignez votre radio puis rallumez-la.

### Casque non-VOX avec bouton de conversation aligné

- 1 Éteignez votre radio.
- 2 Connectez l'accessoire non-VOX à votre radio.
- 3 Appuyez sur le bouton de conversation aligné de votre casque et maintenez-le enfoncé.
- 4 Allumez la radio et relâchez le bouton de conversation une fois la radio complètement activée. Pendant la transmission, vous entendrez votre voix dans le casque lorsque vous parlerez.
- 5 Pour désactiver le casque d'écoute latérale, éteignez votre radio puis rallumez-la.

## MODE RELAIS OU INTERCOMMUNICATION

Le mode Intercommunication vous permet de communiquer avec d'autres radios lorsque :

- le mode Relais ne fonctionne pas

—ou—

- votre radio dépasse les limites du relais mais qu'elle se trouve dans le rayon de communication d'une autre radio.

Appuyez sur la touche **Relais/Intercommunication** préprogrammée (voir la page 16) pour basculer entre le mode Relais et le mode Intercommunication.

## RÉGLAGE SILENCIEUX OU NORMAL DU BRUIT DE FOND

Utilisez cette fonction pour filtrer les appels importuns (indésirables) et/ou le bruit de fond. Cependant, le réglage silencieux peut provoquer le filtrage des appels effectués depuis les endroits éloignés. Le cas échéant, un réglage normal serait plus approprié.

Appuyez sur la touche **Réglage silencieux** préprogrammée (voir la page 16) pour basculer entre le réglage silencieux et normal.

## **RÉGLAGE DU NIVEAU DE PUISSANCE**

**(Disponible uniquement pour les modèles de 4 et 5 W)**

Tous les canaux de votre radio sont dotés d'un niveau de puissance de transmission prédéfini qui peut être modifié.

- *Le niveau de puissance supérieur* vous permet de joindre un utilisateur radio très éloigné.
- *La puissance faible* économise le niveau de charge de la pile.

Appuyez sur la touche **Niv. Puissance** pré-programmée (voir la page 16) pour basculer entre les niveaux faible et élevé.

**Remarques :**



## APPELS RADIO

### RÉCEPTION D'UN APPEL SÉLECTIF

(Disponible uniquement pour les modèles de 4 et 5 W)

Lorsque vous recevez un Appel sélectif :

- Le voyant DEL jaune clignote, lorsque programmé par votre détaillant.
- Deux tonalités aiguës se font entendre.

- 1 Pour confirmer l'appel, appuyez sur le bouton de **conversation** et relâchez-le.
- 2 Appuyez sur le bouton de **conversation** et maintenez-le enfoncé pour parler; relâchez-le pour écouter.

### RÉCEPTION D'UN AVIS D'APPEL (Disponible uniquement pour les modèles de 4 et 5 W)

Lorsque vous recevez un Avis d'appel :

- Le voyant DEL jaune clignote, lorsque programmé par votre détaillant.
- Quatre tonalités aiguës se font entendre.

Pour confirmer l'avis d'appel, appuyez sur le **bouton de conversation** et relâchez-le; pour annuler l'avis, appuyez sur n'importe quelle autre touche.

**Remarques :**

## BALAYAGE

Votre radio est dotée d'une fonction de balayage qui vous permet de surveiller plusieurs canaux pour tout signe d'activité vocale. La radio s'arrête sur un canal lorsqu'elle y détecte de l'activité.

Votre radio passe automatiquement à un canal de la liste de balayage lorsqu'elle détecte de l'activité.

Le voyant DEL vert clignote au cours du balayage et cesse de clignoter lorsque la radio passe à un canal.

Votre radio comprend deux types de balayage :

- Balayage du système
- Balayage automatique

## RÉPONSE

La fonction Réponse vous permet de répondre à une transmission lors d'un balayage. Si une transmission sur un canal est détectée lors du balayage, la radio arrête sur ce canal pendant un délai par défaut une fois que toute activité a cessé. On désigne cette opération « délai de suspension ». Au cours de ce délai de suspension, vous pouvez répondre en appuyant sur le **bouton de conversation**.

**Remarque :** Le voyant DEL de balayage cesse de clignoter au cours du délai de suspension de la radio. Si vous n'appuyez pas sur le **bouton de conversation** au cours du délai de suspension préprogrammé, la radio recommence à balayer les canaux.

## ACTIVATION DU BALAYAGE DU SYSTÈME

Appuyez sur la touche **Balayage** préprogrammée (voir la page 16).

## DÉSACTIVATION DU BALAYAGE DU SYSTÈME

Appuyez sur la touche **Balayage** préprogrammée.

## ACTIVATION DU BALAYAGE AUTOMATIQUE

Le balayage commence automatiquement lorsque l'on sélectionne un canal dont la fonction Balayage automatique est activée.

Sélectionnez le canal que votre détaillant a préprogrammé pour le balayage automatique.

## DÉSACTIVATION DU BALAYAGE AUTOMATIQUE

Sélectionnez un canal qui n'a pas été préprogrammé pour le balayage automatique.

## SUPPRESSION D'UN CANAL IMPORTUN

**Remarque :** Votre détaillant doit préprogrammer un bouton aux fins de **Suppression du bruit de fond** (voir la page 16) pour accéder à cette fonction.

Si un canal transmet continuellement des appels indésirables ou du bruit (un canal « importun »), vous pouvez le supprimer temporairement de la liste de balayage :

- 1 Lorsque la radio se trouve sur le canal importun, maintenez le bouton **Supprimer canal importun** jusqu'à ce qu'une tonalité se fasse entendre.

- 2 Relâchez le bouton **Supprimer canal importun**. Le canal importun est supprimé.

**Remarque :** Il est impossible de supprimer temporairement le canal préprogrammé à titre de canal de balayage désigné, le canal prioritaire ou le dernier canal de la liste de balayage.

---

## Réintégration d'un canal dans la liste de balayage

- 1 Mise hors tension de la radio Une fois la radio remise sous tension, les canaux importuns supprimés sont réintégrés dans la liste de balayage.

– OU –

- 1 Appuyez sur le bouton **Balayage** préprogrammé pour interrompre le balayage.
- 2 Appuyez de nouveau sur le bouton **Balayage** préprogrammé pour relancer le balayage. Les canaux importuns supprimés sont réintégrés dans la liste de balayage.

– OU –

- 1 Sélectionnez un autre canal. Une fois que vous êtes retourné au canal d'origine, les canaux nuisibles supprimés sont réintégrés dans la liste de balayage.

Même si votre radio se trouve sur un canal non prioritaire, elle continue de vérifier l'activité du canal de priorité. Lorsqu'une activité y est captée, la radio passe directement au canal de priorité.

## DONNER LA PRIORITÉ À UN MEMBRE DE LA LISTE DE BALAYAGE

Il se peut que vous vouliez que votre radio balaie un canal spécifique plus fréquemment. Votre détaillant peut classer les membres de la liste de balayage par ordre de priorité. Communiquez avec votre détaillant pour plus de détails.

Canal de priorité	Séquence du balayage
Aucune spécification	Cnl1 ➡ Cnl2 ➡ Cnl3 ➡ Cnl4 ➡ ... Cnl1
Canal 2	Cnl2 ➡ Cnl1 ➡ Cnl2 ➡ Cnl3 ➡ Cnl2 ➡ Cnl4 ➡ Cnl2 ➡ ... Cnl1

Remarques :

## ACCESSOIRES

Motorola offre de nombreux accessoires pour mettre en valeur la productivité de votre appareil radio émetteur récepteur. Plusieurs des accessoires offerts sont répertoriés ci-dessous.

### ACCESSOIRES DE TRANSPORT

HLN9701	Étui en Nylon avec agrafe de ceinture
RLN5383	Étui en cuir avec agrafe de ceinture
RLN5384	Étui en cuir avec boucle de ceinture pivotante de 2 ½ po
RLN5385	Étui en cuir avec boucle de ceinture pivotante de 3 po
HLN8255	Agrafe de ceinture à ressort de 3 po
RLN5644	Agrafe de ceinture à ressort de 2 po
HLN6602	Dispositif ventral universel
1505596Z02	Sangle de rechange pour dispositif ventral universel HLN6602
RLN4815	Étui de radio universel
4280384F89	Rallonge de ceinture de rechange pour étui de radio universel RLN4815
NTN5243	Bandoulière pour étui en cuir rigide (se fixe aux anneaux en D de l'étui)
HLN9985	Housse imperméable

## CHARGEURS

WPLN4138_R	Chargeur de bureau rapide avec prise de 120 V pour États-Unis/Amérique du Nord
EPNN7997	Prise de 120 V et 10 heures pour États-Unis/Amérique du Nord (se branche directement dans le connecteur d'accessoire de la radio; utiliser UNIQUEMENT avec la pile NNTN4496)
WPLN4155_R	Prise de Chargeur de bureau de 120 V et 10 heures pour États-Unis/Amérique du Nord (utiliser UNIQUEMENT avec la pile NNTN4496)
EPNN7994	Prise rapide de 120 V pour États-Unis/Amérique du Nord
WPLN4161_R	Chargeur rapide à six (6) compartiments pour plusieurs appareils avec Prise rapide de 120 V pour États-Unis/Amérique du Nord

## PILES

NNTN4496_R	NiCd, 1 100 mAh
NNTN4497_R	Li-ion, 1 800 mAh
NNTN4851	NiMh, 1 400 mAh
NNTN4970	Pile Li-ion mince, 1 600 mAh

## CASQUES D'ÉCOUTE

RLN5411	Casque ultra-léger fixé derrière la tête
PMMN4001	Écouteur ultra-léger avec microphone et bouton de conversation
HMN9013	Casque léger doté d'un bouton de conversation aligné
RMN4016	Casque léger doté d'un bouton de conversation aligné
RLN5238	Casque léger doté d'un bouton de conversation aligné, Style NFL
HMN9021	Casque coussiné de poids moyen fixé sur la tête
HMN9022	Casque coussiné de poids moyen fixé derrière la tête
BDN6647	Casque de poids moyen à haut-parleur unique
BDN6648	Casque coussiné robuste double doté d'un microphone anti-bruit
RMN5015	Casque coussiné double robuste de course (requiert un câble adaptateur de casque RKN4090)
RMN4051	Casque d'écoute bidirectionnel pour casque de sécurité, noir – taux de réduction du bruit = 22 dB (nécessite l'accessoire RKN4094)
RMN4054	Casque d'écoute de réception seule pour casque de sécurité doté d'une prise de 3,5 mm à angle droit

RMN4055	Casque d'écoute de réception seule à bandeau doté d'une prise de 3,5 mm à angle droit
RKN4090	Câble adaptateur pour le casque RMN5015
RKN4094	Adaptateur de bouton de conversation aligné (pour le casque RMN4051)
REX4648	Ensemble coussinet d'oreille en mousse et pare-vent de remplacement (pour les casques RMN9013 et RMN4016)
7580376E34	Bouchons d'oreille de remplacement (pour les casques HMN9021 et HMN9022)
5080371E66	Coussinet d'oreille de remplacement (pour le casque BDN6647)
3580371E59	Abat-vent de rechange (pour le casque BDN6647)

## ACCESSOIRES DE SURVEILLANCE

HMN9752	Écouteur avec Réglage du volume à un fil (avec support profilé de plastique) (Beige)
HMN9727	Écouteur sans Réglage du volume à un fil (avec support profilé de plastique) (Beige)
RLN4894	Écouteur sans Réglage du volume à un fil (avec support profilé de plastique) (Noir)



HMN9754	Écouteur avec microphone et bouton de conversation combinés, à 2 fils (Beige)
RLN4895	Écouteur avec microphone et bouton de conversation combinés, à 2 fils (Noir)
RLN5198	Écouteur avec microphone et bouton de conversation combinés, à 2 fils avec la trousse d'intensité de bruit faible (Beige)
BDN6720	Récepteur écouteur souple sans réglage du volume (RX uniquement)
HMN9036	Sonde microphonique avec microphone et bouton de conversation combinés, à 2 fils (Noir)
HLN9132	Sonde microphonique de réception seule à fil unique (Noir)
NTN8370	Trousse pour intensité de bruit extrême
NTN8371	Trousse pour intensité de bruit faible
RLN4760	Petit écouteur clair adapté à l'oreille droite (pour la trousse pour intensité de bruit faible NTN8371)
RLN4763	Petit écouteur clair adapté à l'oreille gauche (pour la trousse d'intensité de bruit faible NTN8371)
RLN4761	Écouteur clair de taille moyenne adapté à l'oreille droite (pour la trousse d'intensité de bruit faible NTN8371)

RLN4764	Petit écouteur moyen clair adapté à l'oreille gauche (pour la trousse d'intensité de bruit faible NTN8371)
RLN4762	Grand écouteur clair adapté à l'oreille droite (pour la trousse d'intensité de bruit faible NTN8371)
RLN4765	Grand écouteur clair adapté à l'oreille gauche (pour la trousse d'intensité de bruit faible NTN8371)
5080384F72	Prise d'atténuation du bruit de remplacement pour l'accessoire NTN8370
5080371E73	Embout de remplacement (pour la trousse d'intensité de bruit faible NTN8371) (Beige)
5080371E75	Embout de remplacement (pour la trousse d'intensité de bruit faible NTN8371) (Noir)
7580372E11	Coussinet d'oreille de remplacement (pour l'écouteur BDN6720)

## HAUT-PARLEUR/MICROPHONE À DISTANCE

HMN9030	Microphone haut-parleur à distance avec cordon spirale et agrafe arrière
HKN9094	Cordon de remplacement (pour microphone haut-parleur HMN9030)

## SYSTÈMES DE MICROPHONE AURICULAIRE

BDN6646	Microphone auriculaire standard avec interface de bouton de conversation uniquement
BDN6706	Microphone auriculaire standard avec interface de bouton de conversation et VOX
0180358B38	Commutateur à anneau à bouton de conversation (pour systèmes de microphone auriculaire BDN6646 et BDN6706)
0180300E83	Commutateur de communication à bouton de conversation (pour systèmes de microphone auriculaire BDN6646 et BDN6706)
0180300E25	Protecteur d'oreille avec boucle réglable
0180358B32	Porte-écouteur, noir, petit

0180358B33	Porte-écouteur, noir, moyen
0180358B34	Porte-écouteur, noir, grand
0180358B35	Porte-écouteur, clair, petit
0180358B36	Porte-écouteur, clair, moyen
0180358B37	Porte-écouteur, clair, grand

## ANTENNES

NAD6502_R	Antenne Heliflex VHF, 14 cm, 146-174 MHz
HAD9742	Antenne VHF tronquée, 9 cm, 146-162 MHz
HAD9743	Antenne VHF tronquée, 9 cm, 162-174 MHz
NAE6522_R	Antenne UHF Heliflex tronquée, 9 cm, 438-470 MHz
8505816K26	Antenne UHF Heliflex tronquée, 7,1cm, 470-520 MHz
NAE6483_R	Antenne fouet souple, 403-520 MHz

## DIVERS

RLN5500	Trousse de maintien d'accessoires (pour utilisation avec les accessoires audio qui doivent être fixés à la radio dans les environnements exigeants des clients)
TDN9327	Support de radio portative pour panneaux de porte allant jusqu'à 2,75 po (accrocher au panneau de porte en le glissant par-dessus dans un véhicule; agrafe de ceinture de radio requise)
TDN9373	Support de radio portative pour panneaux de porte allant de 2,75 à 3,25 po (accrocher au panneau de porte en le glissant par-dessus dans un véhicule; agrafe de ceinture de radio requise)



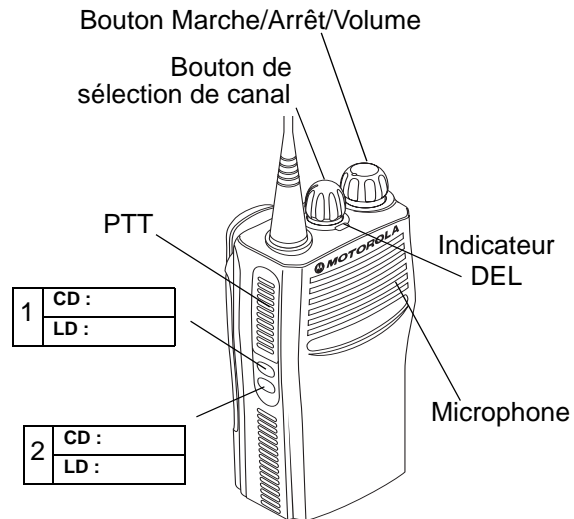
## Voyants DEL

Couleur/État du voyant DEL	Indication
Rouge Rouge clignotant	Transmission Réception
<b>Balayage</b> Vert clignotant	Recherche d'activité
<b>Pile faible</b> Rouge clignotant pendant la transmission	Niveau de la pile faible
<b>Avis d'appel†</b> Jaune clignotant	Indique la réception d'un Avis d'appel
<b>Appel sélectif†</b> Jaune clignotant	Indique la réception d'un Appel sélectif
<b>Surveillance continue/ Surveillance</b> Jaune	Pendant la surveillance
<b>État de charge de la pile</b> Vert Jaune Rouge clignotant Aucun	Bon Suffisant Faible Très faible

†Disponible uniquement pour les modèles de 4 et 5 W.



## CP150™/CP200™ - Carte de référence rapide



**REMARQUE :** Inscrivez les fonctions des touches programmables de votre radio dans les cases ci-dessous. **CD** signifie *Appui de courte durée*, alors que **LD** signifie *Appui de longue durée*.

## Mise sous tension de la radio

- Faites tourner le bouton **Marche/Arrêt/Réglage du volume** dans le sens horaire. Lorsque la mise sous tension s'effectue correctement, vous entendez la tonalité de réussite du test d'auto-contrôle et la DEL verte clignote. Lorsque la mise sous tension échoue, vous entendez la tonalité d'échec du test d'auto-contrôle.

## Mise hors tension de la radio

- Faites tourner le bouton **Marche/Arrêt/Réglage du volume** dans le sens antihoraire jusqu'à ce qu'un déclic se fasse entendre.

## Réglage du volume de la radio

- Appuyez sur le bouton **Réglage du volume** (préprogrammé par votre détaillant) et maintenez-le enfoncé jusqu'à ce qu'une tonalité continue se fasse entendre.
- Faites tourner le bouton **Marche/Arrêt/Réglage du volume** pour régler l'intensité du volume.
- Relâchez le bouton de **Réglage du volume** une fois l'intensité désirée atteinte.

## Sélection d'un canal radio

- Faites tourner le bouton du **Sélecteur de canal** dans le sens horaire ou antihoraire pour trouver le canal désiré.

## Réception

- Allumez la radio.
- Réglez l'intensité du volume.
- Sélectionnez le canal de la radio.

## Transmission

- Une fois la radio mise sous tension, tournez le bouton **Sélecteur de canal** jusqu'au canal désiré.
- Appuyez sur le **bouton de conversation** et parlez clairement dans le microphone que vous tenez à environ 2,5 à 5 cm (1 à 2 po) de votre bouche.
- Relâchez le **bouton de conversation** lorsque l'appel est terminé.

## Indicateurs sonores pour les touches programmables

Touches programmables	Tonalité positive	Tonalité négative
Balayage	Activer le balayage	Désactiver le balayage
Niveau de puissance†	Transmission radio à puissance <b>élevée</b>	Transmission radio à puissance <b>faible</b>
Silencieux	La radio fonctionne selon un réglage <b>silencieux</b>	La radio fonctionne selon un réglage <b>normal</b>
Relais/ Intercommunication	La radio <b>N'UTILISE PAS</b> de relais	La radio utilise un relais
VOX	VOX activée	VOX désactivée

†Disponible uniquement pour les modèles de 4 et 5 W.

## Activation ou désactivation du balayage

- Appuyez sur le bouton **Balayage** préprogrammé pour activer le balayage. Le voyant DEL vert clignote pendant le balayage. Ou, sélectionnez un canal préprogrammé pour activer le balayage automatique.
- Appuyez sur le bouton **Balayage** de nouveau pour interrompre le balayage. Ou, sélectionnez un canal qui n'est pas préprogrammé pour balayage automatique pour arrêter le balayage.

## Suppression d'un canal importun

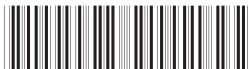
- Lorsque la radio se trouve sur un canal importun, appuyez sur la touche Balayage préprogrammée et maintenez-la enfoncée jusqu'à ce qu'une tonalité se fasse entendre.
- Relâchez la touche **Supprimer canal importun**.





MOTOROLA, the Stylized M Logo, and Radius are registered in the US Patent & Trademark Office.  
All other product or service names are the property of their respective owners.  
© Motorola, Inc. 2002, 2003. All rights reserved. Printed in U.S.A.

MOTOROLA, le logotype au M stylisé et Radius sont enregistrés auprès du Bureau des marques et brevets des États-Unis.  
Tous les autres noms de produits et de services sont la propriété de leurs titulaires respectifs.  
© Motorola, Inc. 2002, 2003. Tous droits réservés. Imprimé aux États-Unis.



**6880309N60-A**