

Model:BC-MS310

# Instruction Manual





**Thank you for your patronage !**

Proper use of this product is the prerequisite to ensure safety, convenience and durability

Please read this instruction carefully before using, and be sure to master the matters marked with the mark ★

## **Catalogue**

**Product drawing**

**Opening and folding indication picture**

**Accessories description**

**Parameters**

**Product standard configuration**

**Inspection and maintenance before driving**

**Battery instruction**

**Attentions for safe driving**

**Eliminate of frequent malfunction**

**Friendly reminder**

## Product drawing



1. Keyswitch

2. Accelerator

3. Battery display

4. Brake lever

5. Forward/backward switch

6. Horn switch

7. waterproof wire harness

8. folding upright pole

9. Headlights/Horn

10. Front mudguard

11. Front wheel

12. Pedal

13. Lithium battery

14. aluminum alloy frame

15. Seat cushion

16. Backrest

17. latch

18. Basket

19. Rear mudguard

20. Reflector

21. Drum brake

22. Anti roll wheel

23. Motor

## Opening indication picture



## Folding indication picture



- ①: Open the red latch to fold / open the seat
- ②: Open the black safety buckle for folding/opening the upright pole
- ③: Remove the lithium battery before folding
- ④: Folding vertical rod can be extended up and down

## Accessories description

### Waterproof plug wire

Waterproof plug, waterproof connector, waterproof performance, can provide safe and reliable electrical, signal and other connections, easy to replace products



### Electric control switch

Electric switch headlights, horns, forward and back switch buttons are designed to be anti-skid, with better symmetry and convenient operation



Red button : forward and reverse switch button

Green button : headlamp switch

### Blackout brake handle

Aluminum alloy blackout brake handle , material relative light, not easy to rust, not deformation and brake line coordination can timely brake



### Electron turning handle

We focus on the comfortable riding experience. The grip we use is more in line with the manual work of the turn handle, and has good skid resistance and a strong sense of control. Display the riding data, so that the rider has a basis and a bottom in mind

Turn on the key

The first gear : turn off the power

The second gear : turn on the power

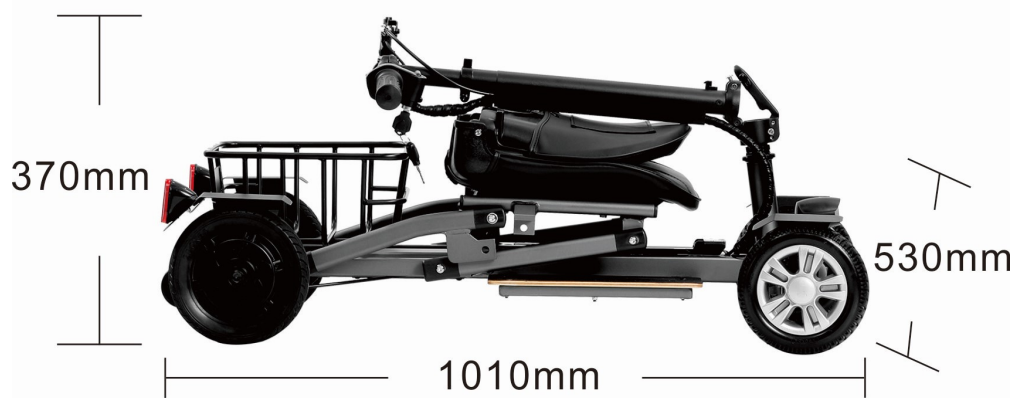
The third gear : turn on the power and headlamp



Opening size



Folding size



## Parameters

### BC-MS310 Parameters

Dimensions (mm)				
	Length	Width	Height	
<b>Open</b>	1010	530	790	
<b>Folded</b>	1010	530	370	
Weight (kg)		Tyre(inch)		
<b>G.W</b>	<b>Weight capacity</b>		<b>Front</b>	<b>Back</b>
20.5	≅ 100		6.5inch	8inch
Electric specification				
Motor		Lithium Battery		
<b>Voltage</b>	<b>Watt</b>	<b>Capacity</b>	<b>Voltage</b>	
36V	300W	8Ah	220V	
Charger			Controller	
<b>Voltage</b>	<b>Power</b>	<b>Current output</b>	<b>Voltage</b>	<b>Current output</b>
36V	220V50HZ	42V-2.0A	36V	15A
Specifications				
<b>Max. speed</b>	≅ 15km/h	<b>Back speed</b>	≅ 8km/h	
<b>Driving</b>	≅ 20km	<b>Braking</b>	2500mm	

### Product standard configuration

Portable electric folding scooter	Installation tool	Charger	Instructions
1 unit	1unit	1unit	1unit

The above data are for reference only. The technical data of this product series are subject to change without prior notice In actual use, due to different road conditions, climate and driving speed, data such as charging time and driving range are different



## **Inspection and maintenance before driving**

In order to ensure that this portable electric folding car can bring convenience to your life, please check and maintain the product according to the following requirements before using.

1. Check whether the battery is full of electricity to ensure that all kinds of cables are properly connected.
2. Check whether the brake system is sensitive and effective.
3. Check whether the tire pressure is normal
4. Before driving, please correct the front wheel and tighten the handle fastening handle.
5. The handlebar and the moving clearance of each part, should be inspect fastening and lubricate irregularly

## **Battery Instruction**

★Improper use will shorten the service life of the battery, and may lead to the fever of the battery, Fire, or even explosions. Please read the following notes carefully:

★Do not separate and decompose the battery. There are protective circuit function parts inside the battery pack. Disassembly will damage these parts;

★It is strictly prohibited to short circuit the positive and negative terminals of the battery, Once a short circuit is found ,it will cause the battery heat, fire and other dangers;

★Do not burn or heat the battery. Heating or burning the battery will melt the insulation, thus causing the battery fire, explosion and other dangers;

★Do not immerse the battery in water or in a humidity environment, The water in the battery pack is easy to cause the short circuit of the protective circuit board in the battery pack, Thus causing short circuit heating and other dangers;

★You must charge the battery with a charger that matches the battery, Otherwise, abnormal chemical reactions will occur in the battery, causing the battery to heat up, burn and other dangers;

★It is strictly prohibited to use a hammer or other hard objects to hit the battery, cutting the battery with sharp tools, When the battery is damaged, it may cause short circuit, thus causing fire and other dangers;

★If the battery is damaged or leaked, and the leakage material enters the eyes carelessly, please don't rub it with your hands, wash it with clean water immediately, and go to the doctor as soon as possible;

★Do not mix lithium ion batteries made by different manufacturers or with different capacity. If so, it may cause heat, fire and other dangers in the process of charging and discharging;

★The battery needs to be fully charged in time (within 3 days) after use, If the battery pack is not used for a long time, it must be fully charged every two months, otherwise the battery will be damaged easily;

★Do not exceed the battery charging time (generally within 10 hours), for fear that the danger of overheating. If the battery charging exceeds the specified time and is not fully charged, please stop charging;

★Don't put the battery where a child can touch so as to avoid danger;

★Do not store the battery in microwave or high pressure environment so as to avoid danger.

## Attentions for safe driving

In order to ensure that you can use this portable electric folding car safely, please be sure to follow the following requirements for proper operation:

★ Before driving for the first time, be sure to do driving exercises in the open field. Only drive on the road after mastering acceleration, deceleration, braking, honking and other performances perfectly

★ Follow traffic rules and maintain moderate speed; Driving at top speed will not only dramatically increase power consumption and reduce range, but also reduce safety

★ When driving in a crowded indoor environment, such as a supermarket, you must keep a low speed to control the braking distance. When turning, the speed must not exceed 2km/h

★ It should not be used in rainy days, and wading should be avoided as far as possible. When wading through, the wading depth should not exceed 20mm and the speed should not exceed 1km/h

★ With the power switch key, in the non-driving state, the power switch must be closed and the key pulled out, to prevent children and others from wrong operation

## Eliminate of frequent malfunction

Malfunction	Reason	solution
Adjuster shifter out of order or Significant reduction of maximum speed	<ol style="list-style-type: none"> <li>1. battery cable is loose</li> <li>2. Shortage power</li> <li>3. Spring failure of Adjuster shifter</li> </ol>	<ol style="list-style-type: none"> <li>1.Tighten the battery cable</li> <li>2.full recharge the battery</li> <li>3.change the spring or shifter</li> </ol>
Charger cannot be charged normally	<ol style="list-style-type: none"> <li>1.Power line damaged or socket off</li> <li>2.Charger fuse fusing</li> <li>3.The battery terminal is disconnected</li> </ol>	<ol style="list-style-type: none"> <li>1.Repair the power cord or tighten the socket</li> <li>2.Replace fuse of the same model</li> <li>3.Plug in all the connections</li> </ol>
Charging is normal, but driving mileage is not enough	<ol style="list-style-type: none"> <li>1. Tire pressure is insufficient or brake disc adjustment is too tight</li> <li>2. Long time driving at high speed or travel uphill, adverse wind, brake start too frequently</li> <li>3. Battery aging or damage</li> </ol>	<ol style="list-style-type: none"> <li>1. Properly inflate tires; Adjust the tightness of brake cable properly</li> <li>2. Avoid long and high speed driving and frequent braking; It is normal for power consumption to increase in uphill and upwind conditions</li> <li>3. Replace or repair batteries</li> </ol>
drive motor doesn't work properly	<ol style="list-style-type: none"> <li>1. Loose or detached connection of battery, motor, controller and other cables</li> <li>2. Can not maintain the average speed of driving, control shifter is damage caused by pollution</li> </ol>	<ol style="list-style-type: none"> <li>1. Check the battery, motor, controller and other cables, and reconnect firmly</li> <li>2.Keep the control shifter clean to avoid stained.</li> </ol>

★ Batteries, chargers, motors, controllers and control shifter shall be repaired by professional technicians or after-sales maintenance units

★ The above data are for reference only. The technical data of this product series are subject to change without prior notice

★ In actual use, due to different road conditions, climate, driving speed, charging time, mileage and other data are different

#### **Friendly reminder**

★ When the scooter starts, please slow down the throttle to prevent the front wheel from skidding

★ When the scooter climbing the slope, please lean forward to keep the center of gravity steady and prevent scooter from turning over after climbing the slope

★ When the scooter is turning, please slow down and avoid turning over

★ In the normal using of the scooter, please check whether the screw loose or off periodically

★ Please drive as little as possible when the road is slippery in rainy days

**Specification is based solely on actual products; Subject to change without prior notice.**



## **WARNING:**

Before the first use of your product, please ensure that all screws and bolts are securely fastened.

Additionally, it is mandatory to inspect and tighten all screws and bolts on a monthly basis to ensure their secure attachment.

Failure to adhere to these safety guidelines may result in severe injury or even death.

Please prioritize your safety and the safety of those around you by following these precautions diligently.

