

STEP 1. Open the box and check parts



Head



Clamp-Type Mount



Flexible Metal Stand



AC/DC Adapter



Filters

Sunflower Parts



STEP 2. Remove bubble protection on the Sunflower Head part and Flexible stand.



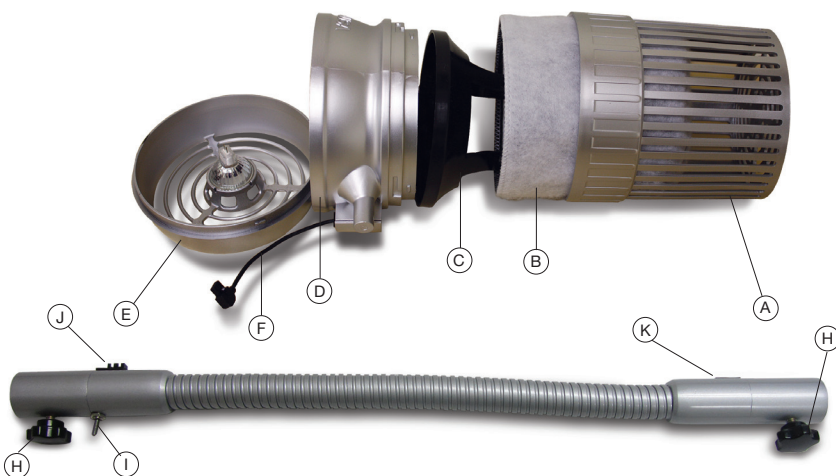
STEP 3. Attach head assembly into flexible metal stand. Connector looks it lacks a hook, but it is intentionally removed and normal.



STEP 4. Install the standard clamp mount (Also other optional mounts are available). And fasten knob screw. Do not tight too hard. It is a good idea to leave a room for easy rotation. Connect the AC-DC adapter into female connector at the bottom.



PART DESCRIPTIONS & SPECS



I. Vacuum Head

- A. filter housing
- B. filters
- (one installed, one extra)
- C. air diffuser
- D. motor housing
- E. lamp housing
- F. head connector

II. Flexible Metal Stand

- G. connector socket
- H. butterfly knob
- I. switch
- J. 3 pin socket
- K. adapter socket

III. Mount devices

clamp type: included

IV. Adapters (CE, UL listed)

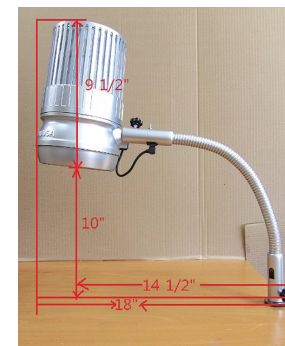
1. Input: AC 85-240V
2. Output: DC 12V 3.0A

V. Motor (Input DC 12V, 1.25A Max, CE listed 135 CFM)

VI. Lamp (Input DC 12V, MR-11 LED lamp)

VII. Dimension

Net weight: 5.25LB
Shipping weight: 7LB



Optional Mounting Devices & Filters



Suction Type



Screw on Type



Portable Type



Hole thru Type



Replacement Filters
5 Filters /1 pack

You can order these optional mounting devices & filters on our Website: www.bauusa.com or call 973.904.3200.

Warranty

1 year parts at factory warranty

Return Policy

Contact BAUUSA for a Return Authorization within 2 weeks after receiving date with 20% of restocking fee.

How to Operate

Turn switch downward to run motor and lamp, upward to turn on lamp only (or vice versa). To turn off place switch in the middle.

How to change/clean filter

Bend backward the flexible metal stand so that lamp sees the ceiling. Open the filter housing by turning it counterclockwise. Take out the filters and clean with regular vacuum or tapped it outside.

Notice

Please clean filter regularly (daily recommended) and change it regularly (biweekly or monthly depends on your usage). Clean/empty filter works the best. Please do not overburdened motor with full filter. Motor damage due to filter neglect may not be covered by the warranty.

BAUUSA™

36-15 214th PL, Bayside, NY 11361
973-904-3200 www.bauusa.com