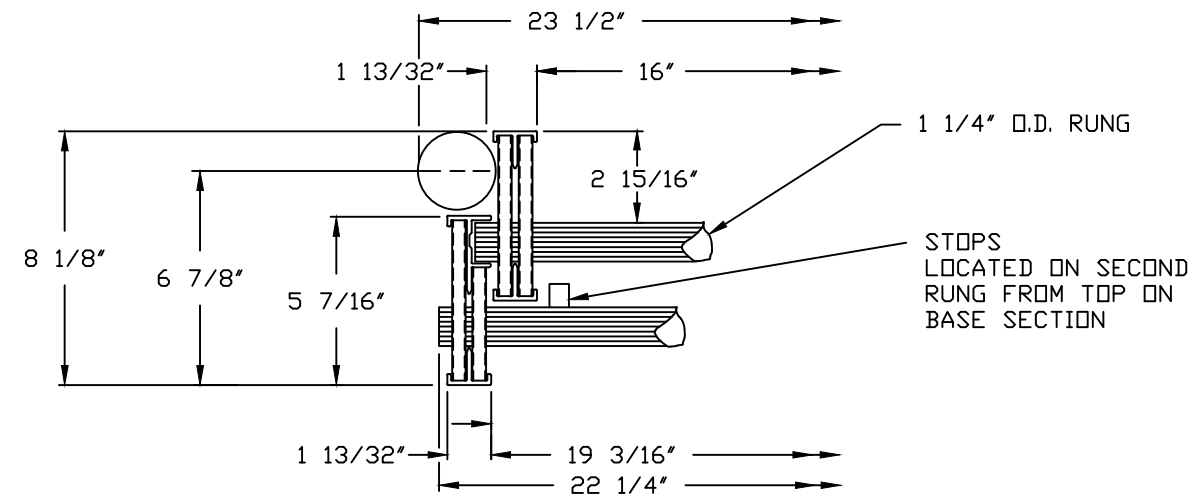
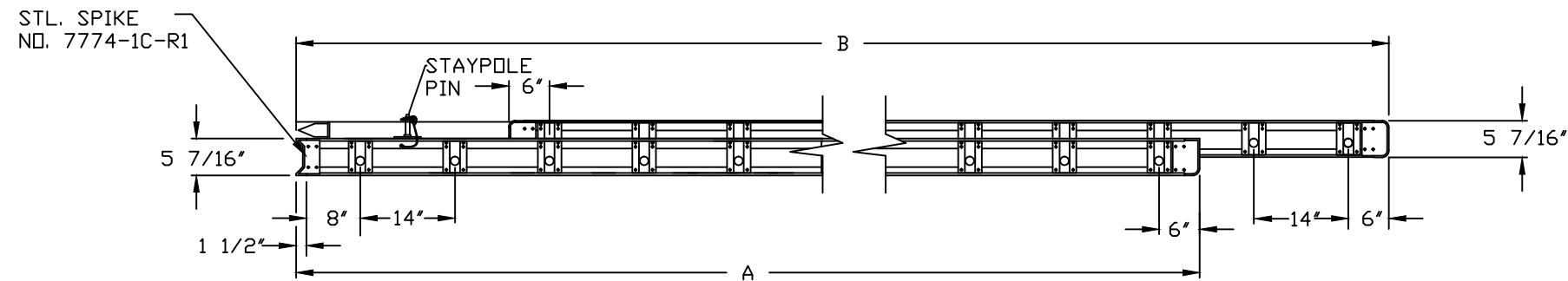
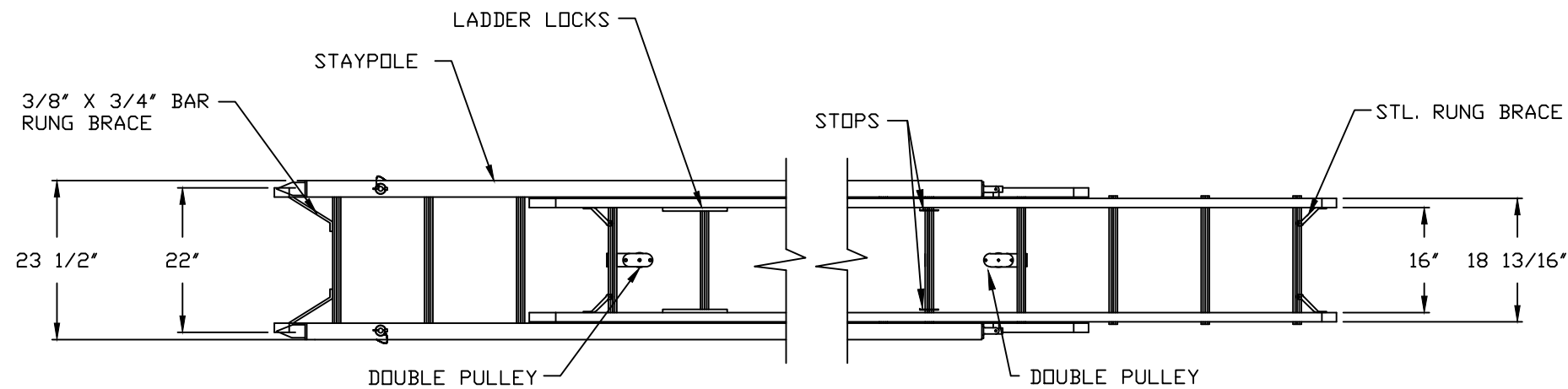


<i>SPECIFICATIONS</i>			
MODEL	A UNEXTENDED	B EXTENDED	WEIGHT
TEL-40-P	22'-4"	40'-0"	214 LBS.
TEL-45-P	25'-10"	46'-10"	232 LBS.
TEL-50-P	28'-2"	51'-6"	250 LBS.



CROSS SECTION



<p>Keeping People SAFER and Products FLOWING</p> <p>P.O. Box 6408 Florence SC 29502-6408 843-669-6668 800-845-2387 FAX: 843-662-1536 WWW.CARBISOLUTIONS.COM</p>		<p>PROPRIETARY DESIGN THIS DRAWING IS THE PROPERTY OF AND CONTAINS CONFIDENTIAL AND PROPRIETARY DESIGN INFORMATION BELONGING TO samCARBISolutions group, llc. IT MUST BE RETURNED IMMEDIATELY UPON REQUEST AND MUST NOT BE COPIED IN WHOLE OR IN PART, NOR THE INFORMATION SHOWN THEREON DISCLOSED TO THIRD PARTIES OR OTHERWISE USED EXCEPT AS SPECIFICALLY PERMITTED BY samCARBISolutions group, llc.</p>	
CUSTOMER			
TITLE <b>TEL 2-SECTION</b>			
CUSTOMER PURCHASE ORDER NUMBER		45' & 50'	
ORDER #	SCALE 1/2"=1'-0"	SHEET 1 of 1	REV. 6
DRAWN HTH DATE 11/03/92	CHECK DATE	DRAWING NUMBER S-8106-1D-R6	

© SAMCARBISOLUTIONS GROUP, LLC, 2016  
WITH ALL RIGHTS RESERVED

H:\SkipLadder\VFIRE LADDERS S-8106-1D-R6.dwg, 3/11/2016 6:03 PM