

HARRINGTON HYDRANT STORZ CONNECTIONS

HPHA™ SPECIFICATION The Harrington Permanent Hydrant Adapter threads onto the male steamer port and is secured permanently onto the hydrant. For security, a Storz spanner wrench is required for cap removal.

The Storz adapter shall have a hard anodized aluminum metal face sealing surface and hard anodized aluminum Storz ramps and lugs. The adapter's finish shall be hardcoat anodized to MIL-A-8625, Type 3, Class I, dark gray. The adapter shall be made of forged 6061-T6 aluminum and secured to the nozzle with (2) stainless steel set screws, inserted 180° apart. The female adapter shall retain a flat gasket which seals the adapter onto the male steamer port.

The Storz cap shall have hard anodized aluminum Storz ramps and lugs made of forged 6061-T6 aluminum. The center cap shall be forged, not cast. The Storz cap shall be connected to the Storz adapter with a 0.125" vinyl coated stainless steel aircraft cable and (2) aluminum crimps. As a security consideration, the HPHA™ Storz cap requires a Storz spanner wrench for removal. Hose will connect quickly and easily, by hand.

The HPHA™ is completely (extruded, forged, machined, anodized) Made In USA

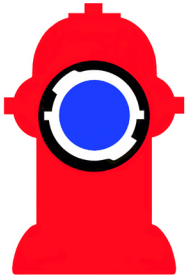
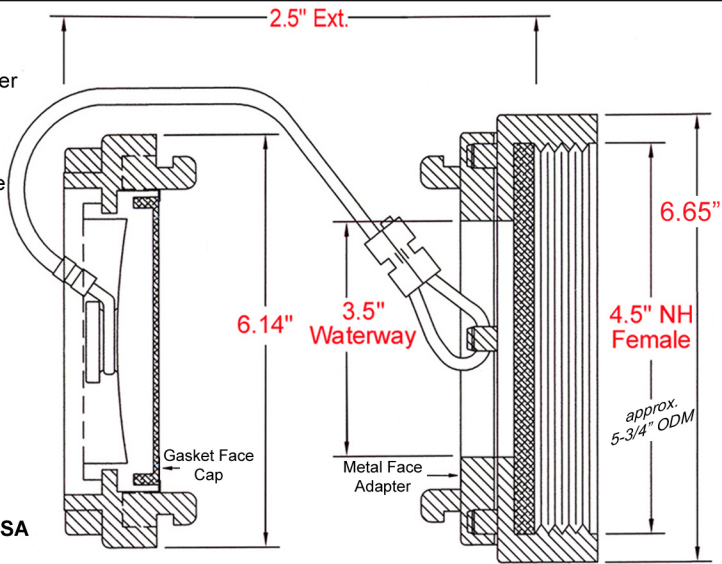
Once installed, the HPHA™ extends only 2.5" from the hydrant nozzle.

Specify HARRINGTON STORZ

"HPHA-40-45NH/Cap"

- 250 psi working pressure

- MADE IN USA



Harrington, Inc.
2630 W. 21st St.
Erie, PA 16506

Ph. 800-553-0078
daveh@harrinc.com



DWG No.: HPHA40-45NH/Cap		
4.5" NH (NST) = 5.760" ODM x 4 tpi		
Description: 4" Storz Metal Face x 4.5" NH Female w/(2) setscrews w/Storz Cap/SS Cable		
Date: 03/26/18	DB: DTH	Rev.: 00
Scale: NTS	Sheet 1 of 1	