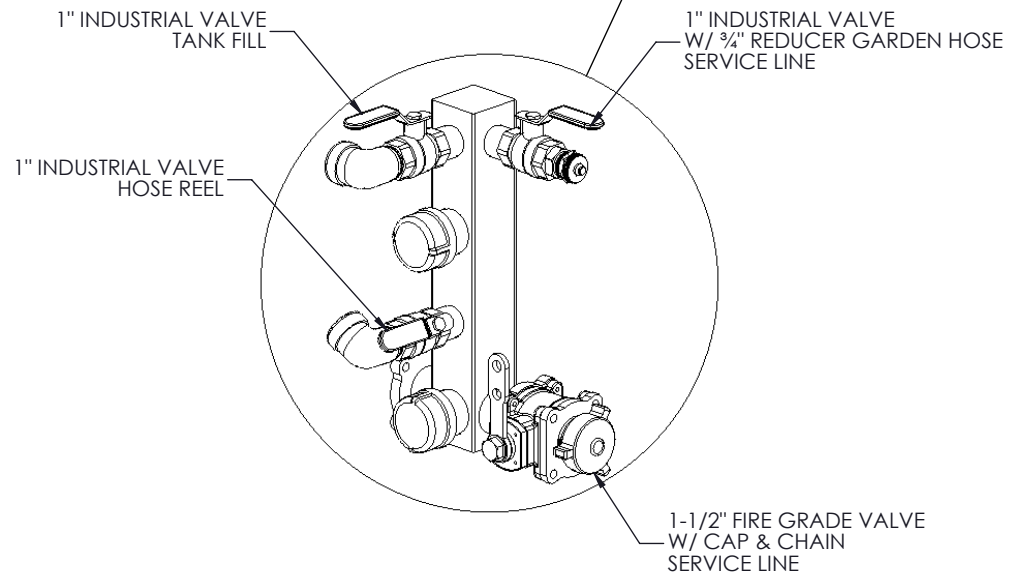
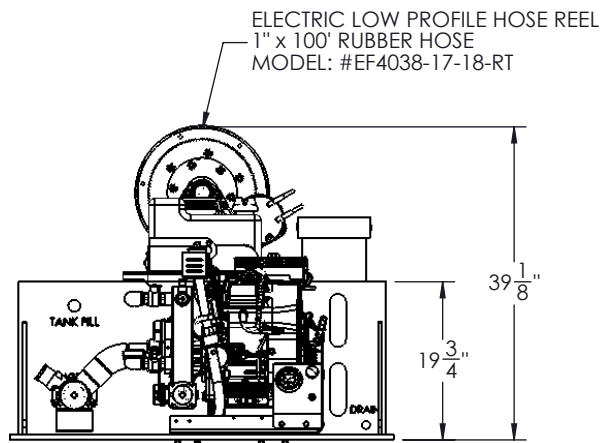
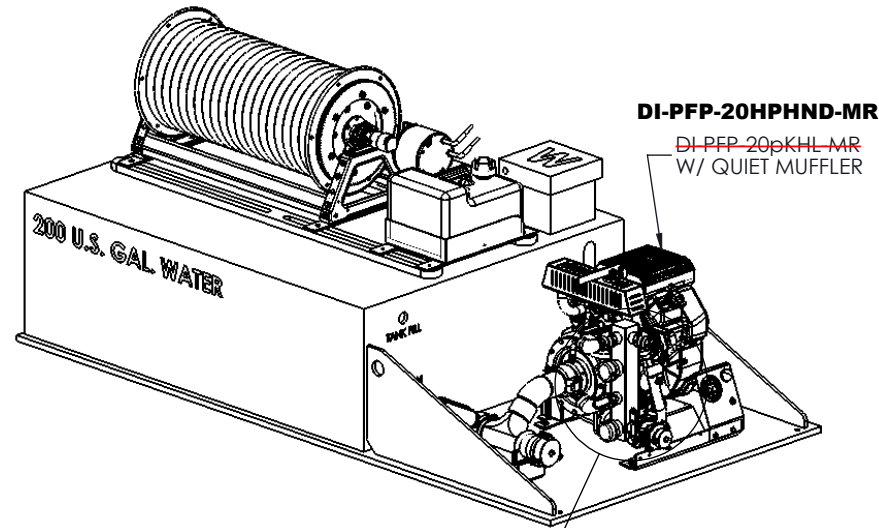


STANDARD SUCTION WITH 2-1/2" INDUSTRIAL VALVE W/ CAP & CHAIN



FIRE PUMPS MFG

TITLE : C.E.T. ATTACK PAC
200 U.S. GAL. WATER

WARNING : THIS DOCUMENT REMAINS THE PROPERTY OF C.E. THIBAUT LADDERS INC.

SIZE
A

VERIFIED BY : A.B.
DATE : 17-04-14
CREATED BY : M.V.

No: DP-ATTACK PAC-0701 III

ALL REPRODUCTION WITHOUT WRITTEN AGREEMENT FROM C.E. THIBAUT IS TOTALLY PROHIBITED.

TOLERANCE
X = 1/16"
XX = 1/32"
XXX = 1/64"

REV.	DESCRIPTION	DATE	BY