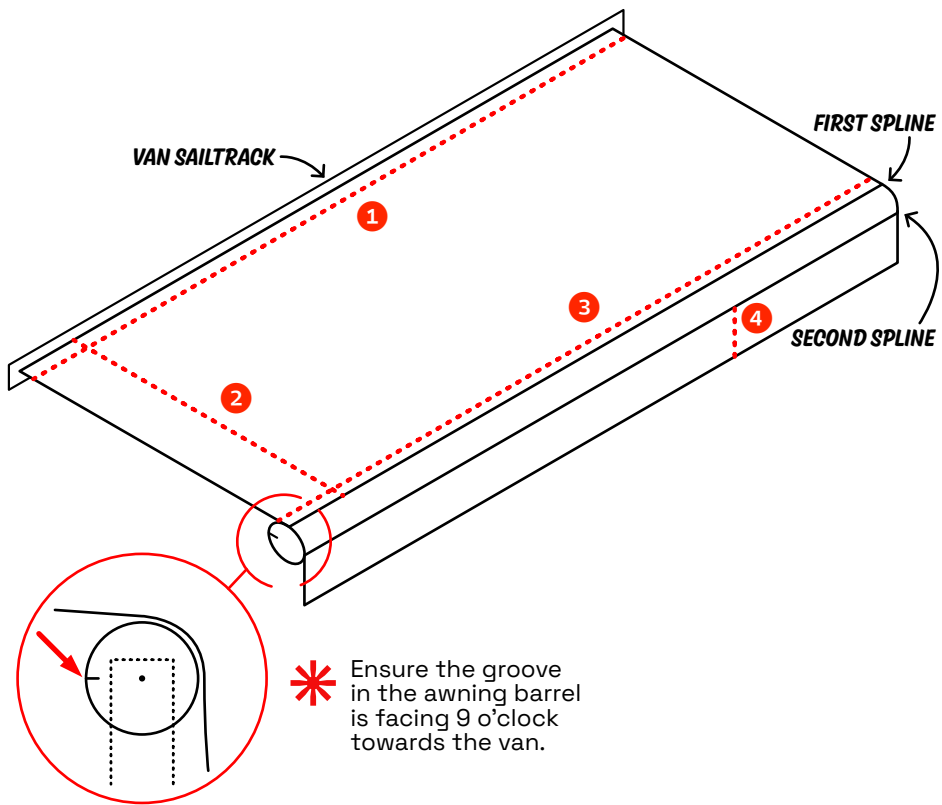


CUSTOMER NAME: _____ PHONE: _____ JOB #: _____ INSTALLER: _____

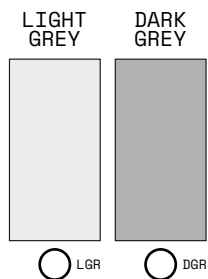


Does the awning have an LED strip?
 Yes No

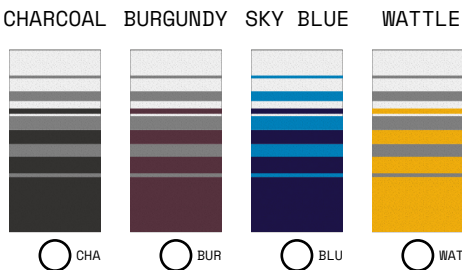
- 1 Vinyl width at sail-track:**
.....
- 2 Vinyl projection (length)**
Measure from van sail-track to where the vinyl attaches to the awning barrel when fully extended.
.....
- 3 Vinyl width at roller sail-track**
.....
- 4 Valance drop**
Measure from the second spline in the awning vinyl
.....

COLOUR & AWNING OPTIONS

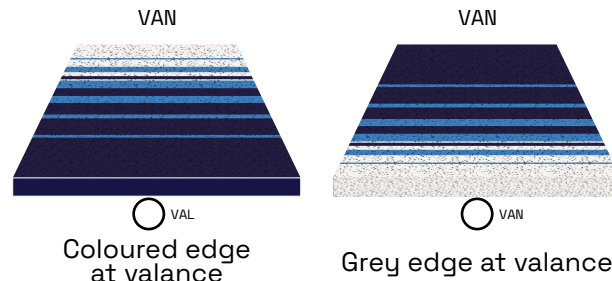
Ripstop



Standard



For **Standard** colour options, please choose how you would like the colour to be displayed on the awning:

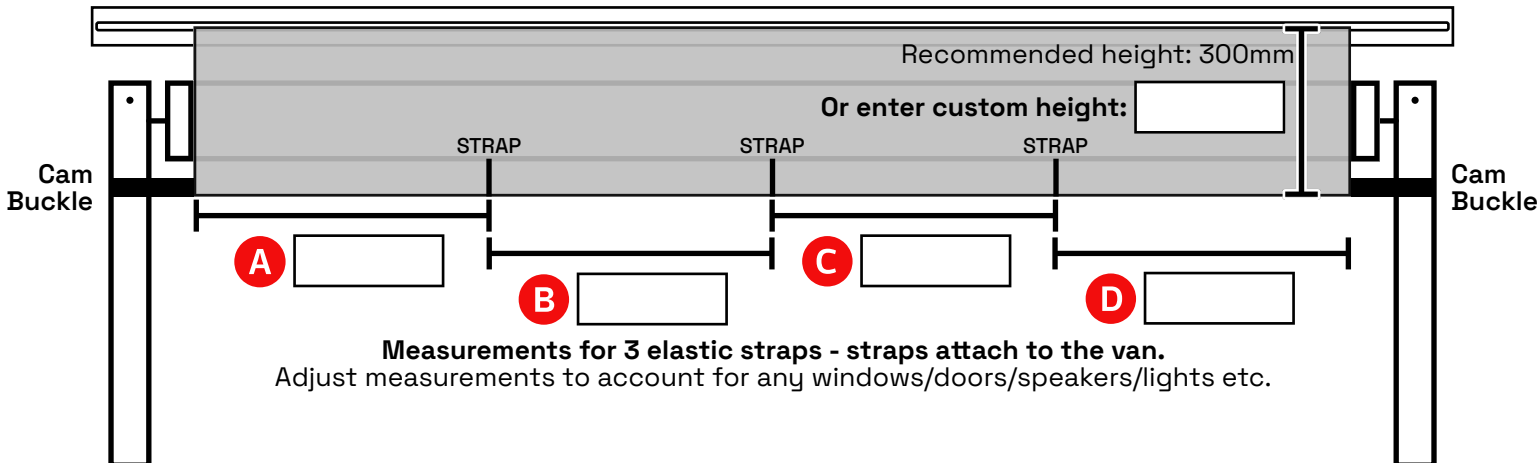


Awning Brand: _____

Awning Model: _____

AWNING SAVER (Optional)

Awning Saver width is the same as the awning vinyl.
 Total for measurements A-D need to equal the total awning vinyl width (measurement 1) above.



Measurements for 3 elastic straps - straps attach to the van.
 Adjust measurements to account for any windows/doors/speakers/lights etc.