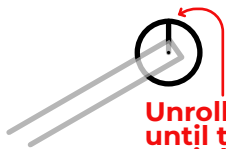
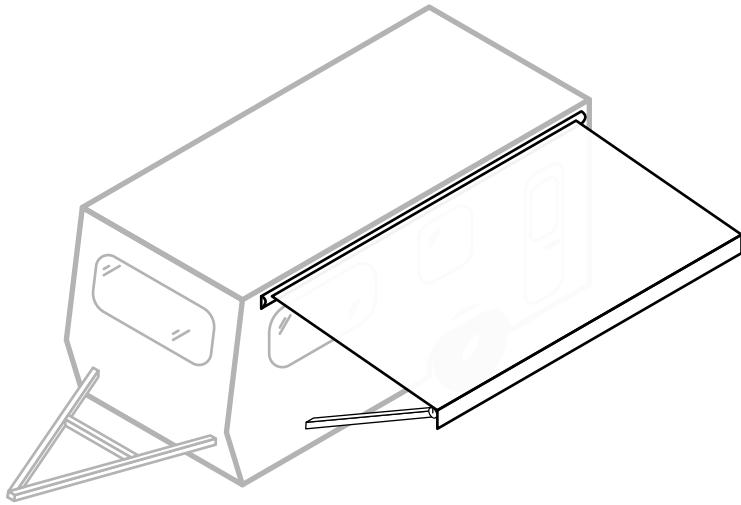


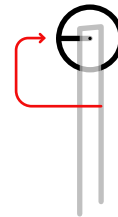
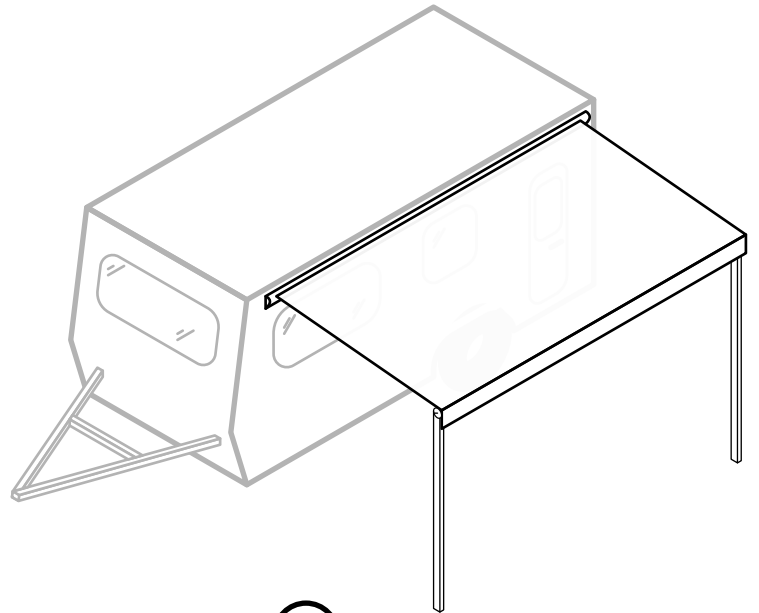
# SET UP INSTRUCTIONS

## STEP 1:

Extend your awning.

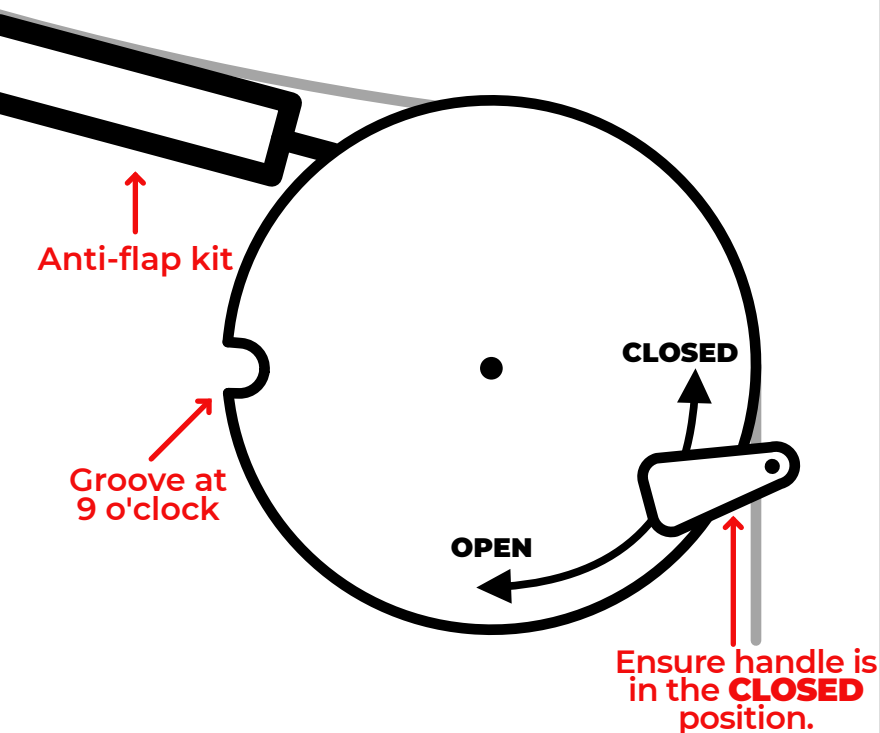


Unroll your awning until the slot is in the upright 12 o'clock position.



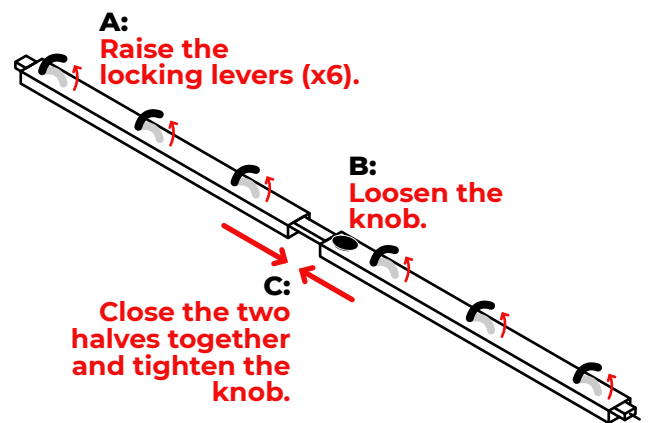
Move the legs to their vertical position, and the slot in the awning barrel should move to the 9 o'clock position.

## IMPORTANT AWNING BARREL DETAIL:



## STEP 2:

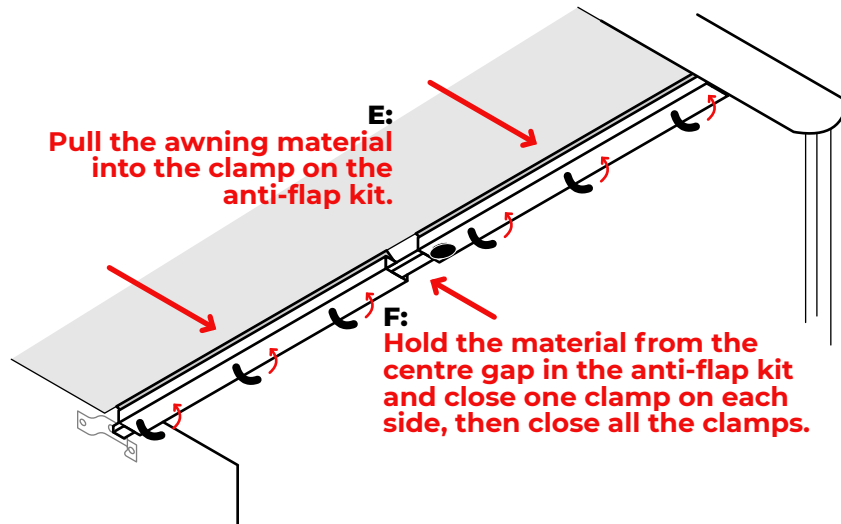
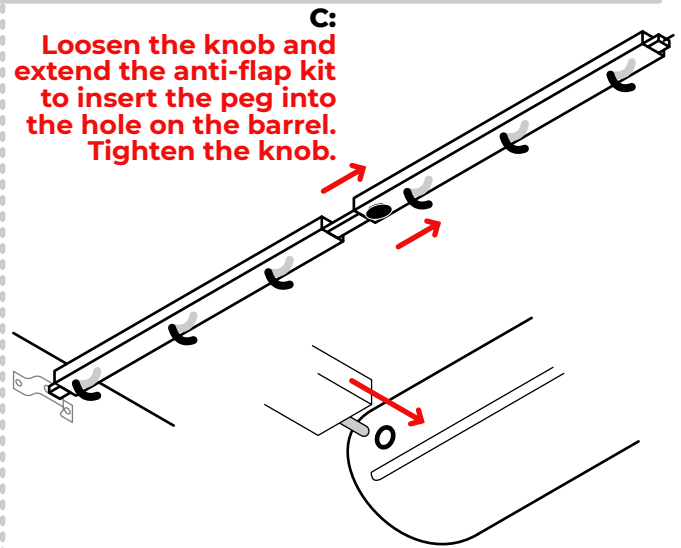
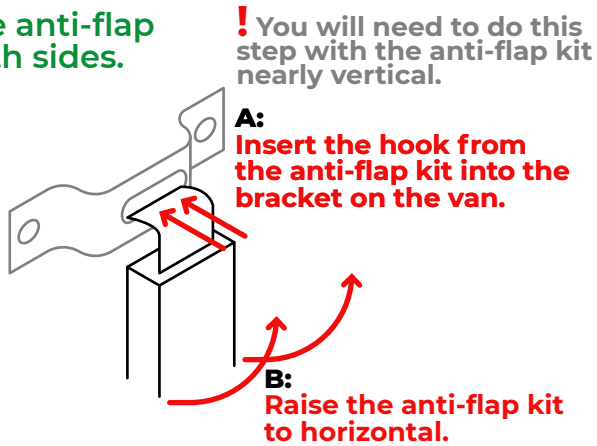
Prepare the anti-flap kit (x2).



# SET UP INSTRUCTIONS

## STEP 3:

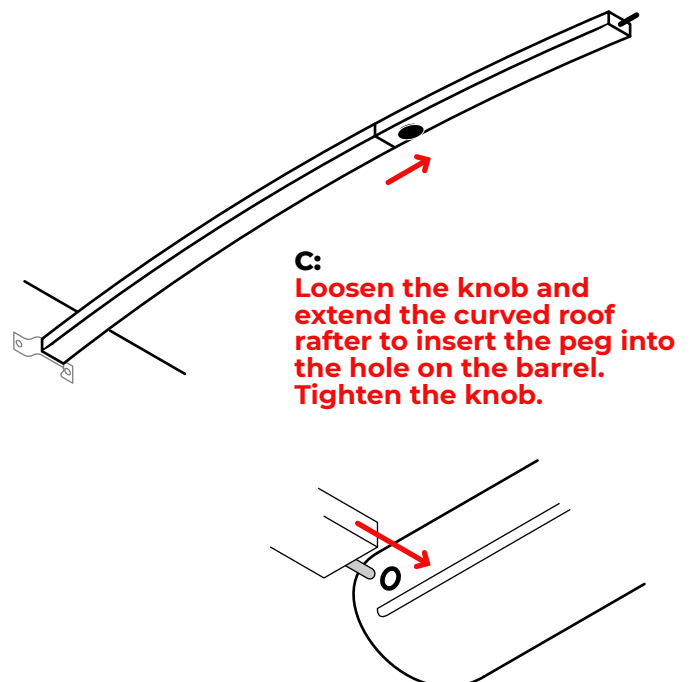
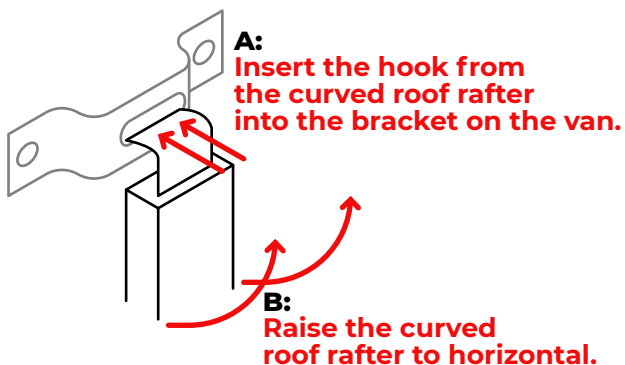
Install the anti-flap kit on both sides.



## STEP 4:

Install the curved roof rafters.

**!** You will need to do this step with the curved roof rafter nearly vertical.

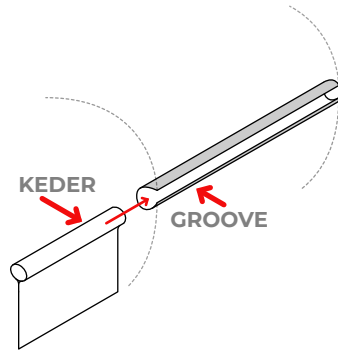


# SET UP INSTRUCTIONS

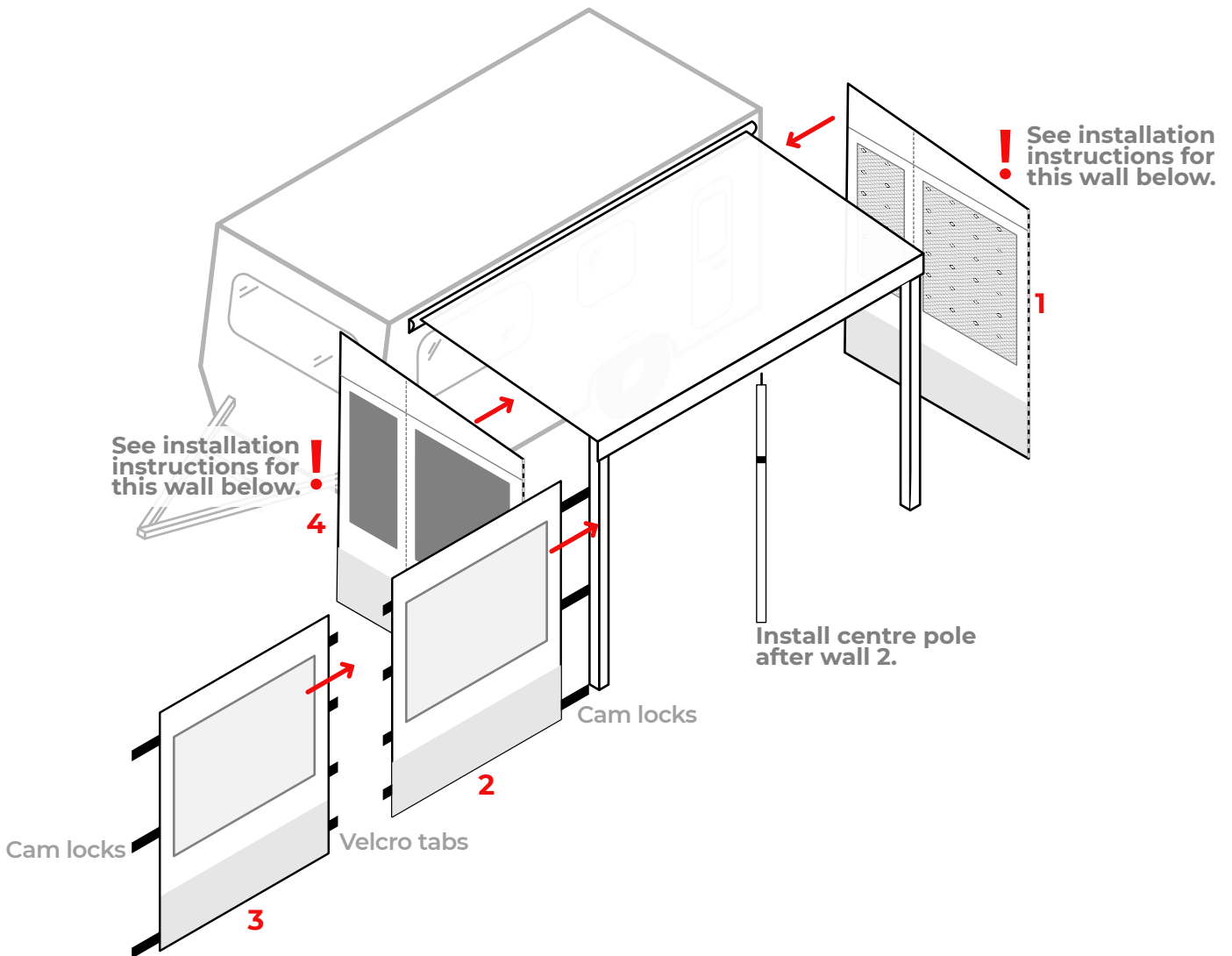
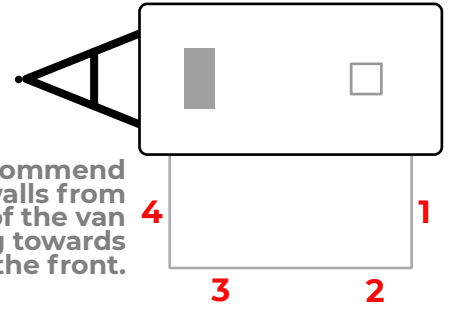
## STEP 5:

Slide the walls into the awning.

! Use the keder on top of the walls to slide into the groove on the anti-flap kit and awning barrel.

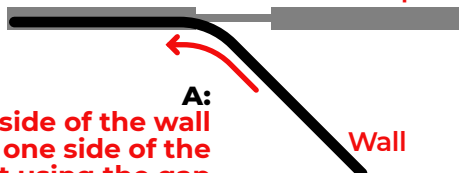


! We recommend installing walls from the rear of the van and working towards the front.

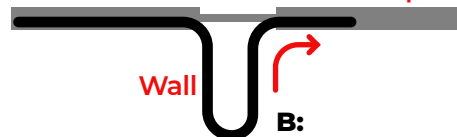


! To install the front & rear walls (1 & 4), slide the wall in from the centre gap of the anti-flap kit.

Bottom view of anti-flap kit



Bottom view of anti-flap kit



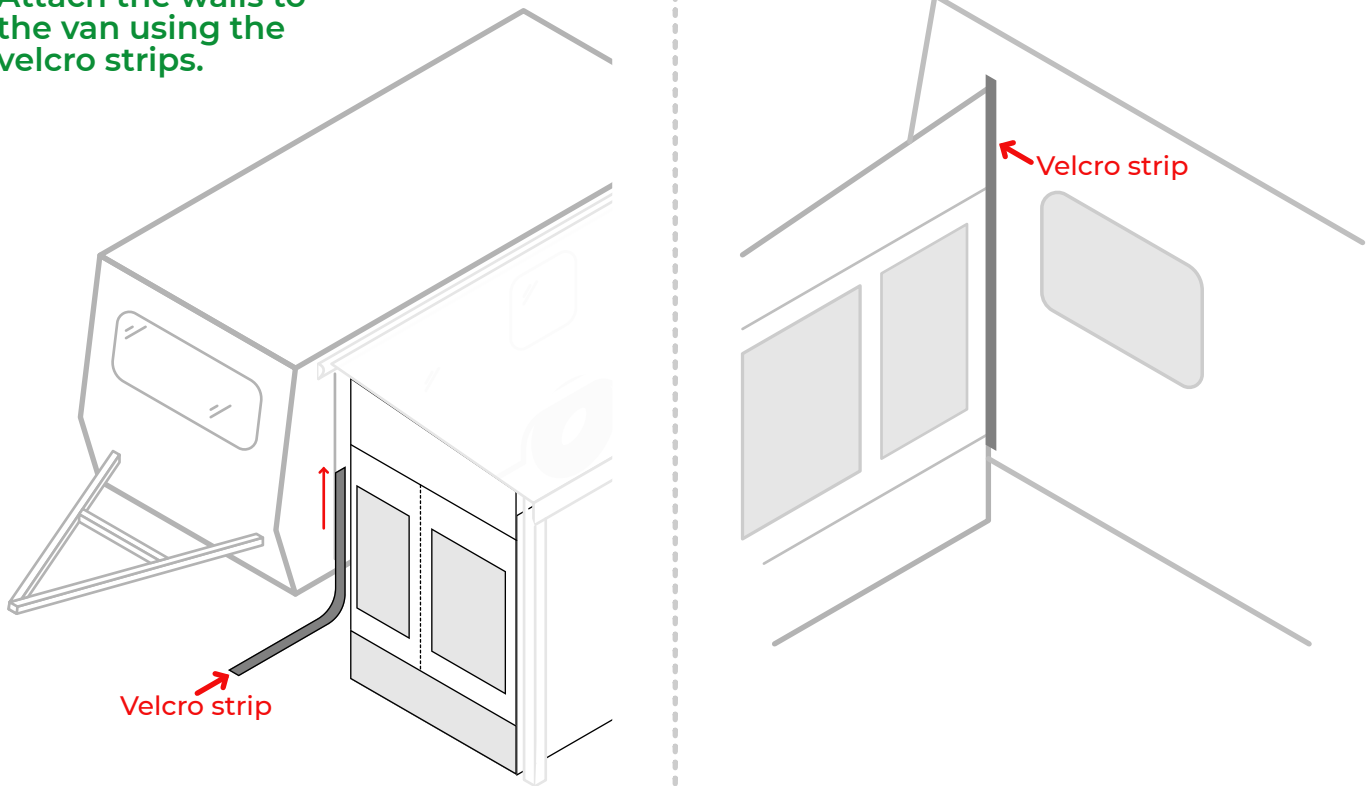
Slide one side of the wall in to one side of the anti-flap kit using the gap in the middle.

Gather the other side of the wall and slide it into the other side of the anti-flap kit.

# SET UP INSTRUCTIONS

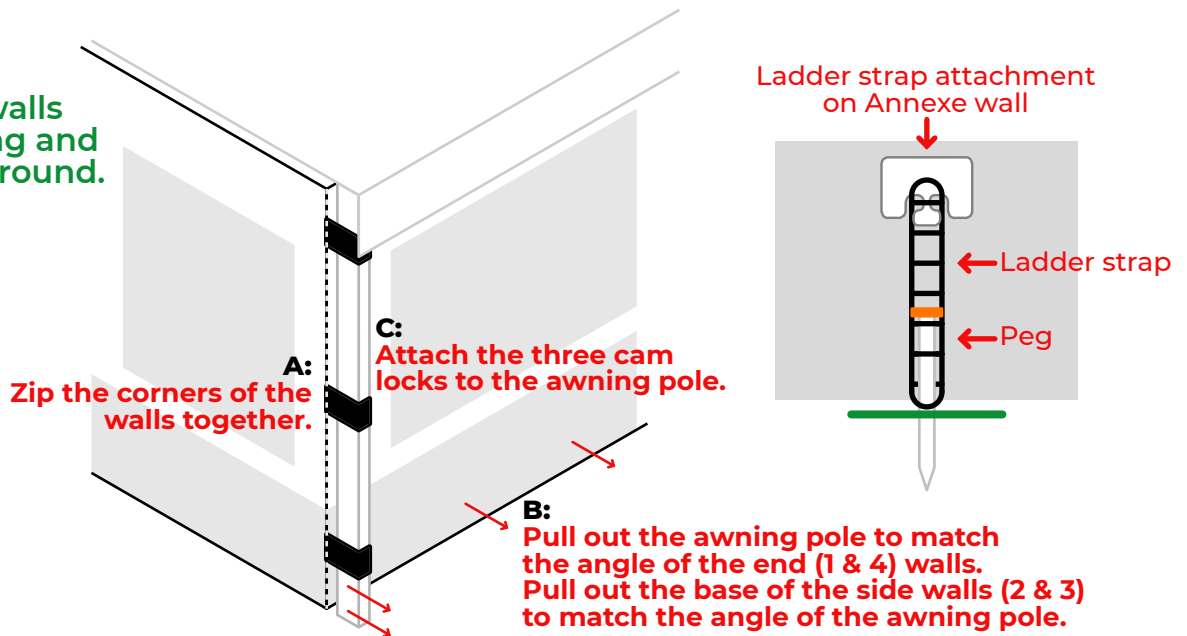
## STEP 6:

Attach the walls to the van using the velcro strips.



## STEP 7:

Attach the walls to the awning and peg to the ground.



## STEP 8:

Attach the draft skirt to the van using press studs. Attach to the Annexe walls with velcro.

