

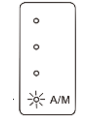
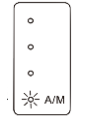


### ❖ Factory Default Setting:

- Keyboard is in macOS mode
- Power switch on the underside of the keyboard is turned off
- 2.4GHz RF Receiver is paired with the keyboard

### ❖ Toggle between macOS mode and Windows mode

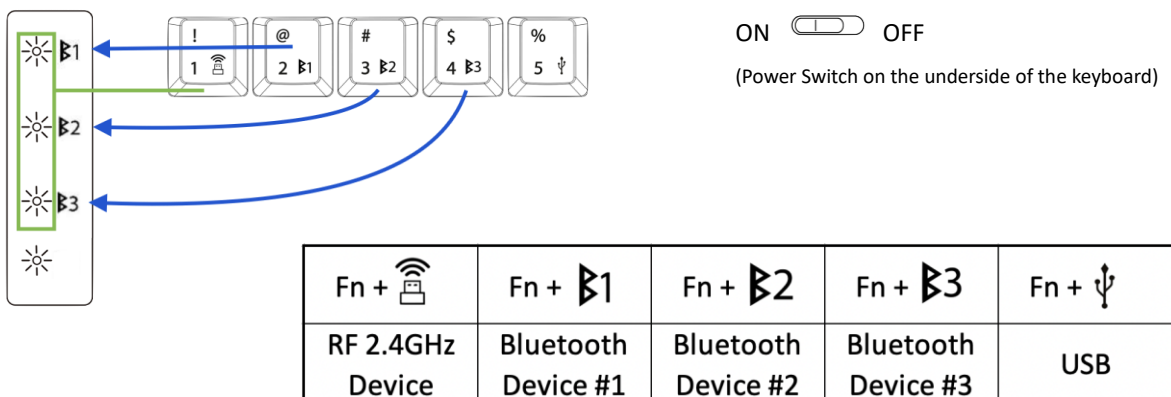
You must be in macOS Mode to use Mac hot keys. You must be in Windows Mode to use Windows hot keys.

Enter macOS mode	LEDs status	Enter Windows mode	LEDs status
<b>Hold Fn + A for 3 secs</b>	 <p>This LED will be ON for the macOS mode</p>	<b>Hold Fn + M for 3 secs</b>	 <p>This LED will be OFF for the Windows mode</p>

### ❖ Battery





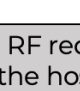
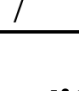


- 5 hours is required to fully charge the internal battery. Charge the battery **once a month for at least 2 hours.**
- When the middle LED **blinks along with any key presses**, the **battery power is low** and charging is required.
- **When the keyboard is connected to a USB host, the keyboard is automatically switched to USB mode.**
- To conserve battery power, all LEDs are deactivated in wireless mode. Hold the Fn key to see all the current status of LEDs.

### ❖ Wireless connection

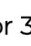



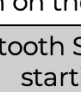
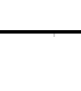






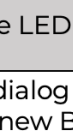

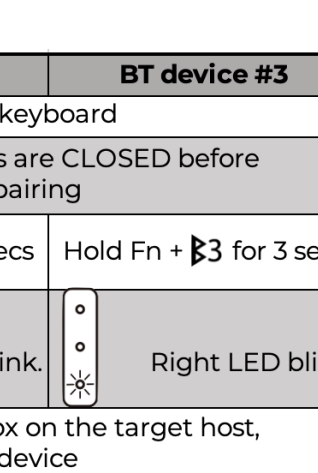
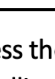


## RF and Bluetooth pairing

	RF 2.4GHz Receiver	BT device #1	BT device #2	BT device #3
STEP 1	Turn ON the power switch on the underside of the keyboard			
STEP 2	Plug the RF receiver into the host	Ensure Bluetooth SETUP dialog boxes are CLOSED before starting the Bluetooth pairing		
STEP 3	Hold Fn +  for 3 secs	Hold Fn +  for 3 secs	Hold Fn +  for 3 secs	Hold Fn +  for 3 secs
STEP 4	 3 LEDs blink	 Left LED blink	 Middle LED blink.	 Right LED blink.
STEP 5	Pairing succeeded	OPEN the Bluetooth SETUP dialog box on the target host, and search for new BT device		
STEP 6	/	"WM96 #1" found on the BT list	"WM96 #2" found on the BT list	"WM96 #3" found on the BT list
STEP 7	/	Pairing succeeded		

## Switch between different paired hosts

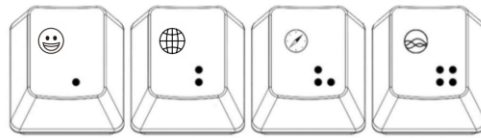
	RF 2.4GHz Receiver	BT device #1	BT device #2	BT device #3
STEP 1	Turn ON the power switch on the underside of the keyboard			
STEP 2	Plug in the RF receiver Press Fn +  for 1 sec	Press Fn +  for 1 sec	Press Fn +  for 1 sec	Press Fn +  for 1 sec
STEP 3	 3 LEDs blink once	 Left LED blink once	 Middle LED blink once	 Right LED blink once
STEP 4	<b>RF mode</b> ready	"WM96 #1" ready	"WM96 #2" ready	"WM96 #3" ready





## ❖ Mouse function Simulation

	Press Fn + "Num" to switch between Numpad and Mouse function Simulation		Press these keys for mouse scrolling
	1 to 9 representing 8 directions of the mouse cursor		Numpad 5 or 0 acts as Mouse Left click
			Numpad "." acts as Mouse Right click
			Press these keys for mouse scrolling



## ❖ Special Function Keys














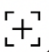


macOS and Windows	Key Stroke Speed	Macro
<b>PRESS DIRECTLY</b>  <b>EMOJI TABLE</b>	<b>Fn + Key</b> Default Speed	<b>Fn + Key</b> Macros + delay 15ms
 <b>LANGUAGE*</b>	<b>Fn + Key</b> X2 Speed	<b>Fn + Key</b> Macros + delay 0.1s
 <b>BROWSER*</b>	<b>Fn + Key</b> X3 Speed	<b>Fn + Key</b> Macros + delay 0.5s
 <b>VOICE ASSISTANT*</b>	<b>Fn + Key</b> X4 Speed	<b>Fn + Key</b> Macros + delay 1s
*Requires setup in System Preferences	*For gaming purpose	*For macro editing

## ❖ Macro Editing Mode

1. Press **Fn + Backspace** to enter Macro Editing Mode and the rightmost LED will blink.
2. Select any of the keys [ **Q/W/E/R/T/Y/U/I/O/P** ] to be programmed as the **macro hot key**.
- 3.. You can press **Fn + [ • or : or .: or :: ]** to add a delay between each character.
4. After editing the macro, press **Fn + Enter** to save the macro.
5. Repeat steps **2 to 4** to program more macros
5. Once completed, press **Fn + Backspace** to exit Macro Editing Mode
6. After exiting Macro Editing Mode, press **Fn + “macro hot key”** to invoke the macro.



## ❖ Shortcut keys

Hot Key	Press Directly**	Press with Fn Key**	Hot Key	Press Directly**	Press with Fn Key**
ESC 	ESC	Apple Menu Bar	F8 	F8	Play/Pause
F1 	F1	Decrease Brightness	F9 	F9	Next track
F2 	F2	Increase Brightness	F10 	F10	Mute
F3 	F3	Launchpad	F11 	F11	Volume Decrease
F4 	F4	Spotlight	F12 	F12	Volume Increase
F5 	F5	Dictation*	Del 	Del	Selectable Screen Capture
F6 	F6	Do Not Disturb*			
F7 	F7	Previous track			

\* Requires setup in System Preferences

\*\* Toggle between **all shortcut keys being pressed directly** and **all shortcut keys being pressed in conjunction with the Fn key** by pressing and holding Fn + Tab for 2 seconds.

This device complies with part 15 of the FCC Rules. Operation is subject to the following two conditions: (1) this device may not cause harmful interference, and (2) this device must accept any interference received, including interference that may cause undesired operation. Any changes or modifications not expressly approved by the party responsible for compliance could void the user's authority to operate the equipment.

NOTE: This equipment has been tested and found to comply with the limits for a Class B digital device, pursuant to Part 15 of the FCC Rules. These limits are designed to provide reasonable protection against harmful interference in a residential installation. This equipment generates, uses and can radiate radio frequency energy and, if not installed and used in accordance with the instructions, may cause harmful interference to radio communications.

However, there is no guarantee that interference will not occur in a particular installation. If this equipment does cause harmful interference to radio or television reception, which can be determined by turning the equipment off and on, the user is encouraged to try to correct the interference by one or more of the following measures:

- Reorient or relocate the receiving antenna.
- Increase the separation between the equipment and receiver.
- Connect the equipment into an outlet on a circuit different from that to which the receiver is connected.
- Consult the dealer or an experienced radio/TV technician for help. The device has been evaluated to meet general RF exposure requirement. The device can be used in portable exposure condition without restriction