

CALIPERS

The 80s, another era, another way of living, thinking and, above all, working. It was then that the first Sylvac digital calipers were born, which revolutionised measurement, until then carried out exclusively with the help of mechanical verniers. The digital calipers brought more precision and greater ease of use. Over the years, our range has been enriched by the numerous models presented in this chapter.

GENERAL CHARACTERISTICS :

- **Accuracy according to ISO13385-1**
- **Powered by lithium battery type CR2032**
- **Absolute measuring system S.I.S**
- **Automatic sleep and wake-up**
- **mm/inch conversion on all models**
- **Working temperature +5° to +40°C**





Caliper

S_Cal EVO

DESCRIPTION

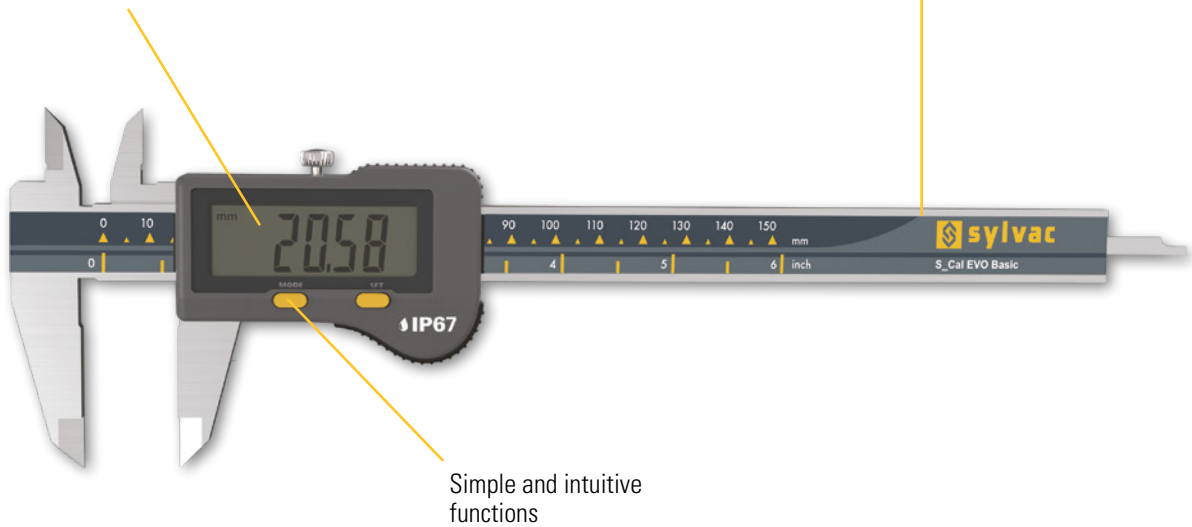
BASIC

- High-quality, ergonomic calliper without data output
- 3.5 mm thick hardened and ground stainless steel frame
- New extra-large display unit with 11.5 mm high digits
- Memorising the home position even when the instrument is switched off
- Available in the following executions :
 - Measuring range 150 mm with rectangular depth rod
 - Measuring range 150 mm with cylindrical depth rod
 - Measuring range 200 mm with rectangular depth rod
 - Measuring range 300 mm without depth rod
- Protection class IP67
- Wheel available as an option

C

Digital display LCD,
Height of digits 11.5 mm

Thickness of frame 3.5 mm



Simple and intuitive
functions

ISO 13385-1

NO OUTPUT

SIS Smart Inductive System

WATER RESISTANT

IP67

Protection rating IP67 !

* SIS description on page 5

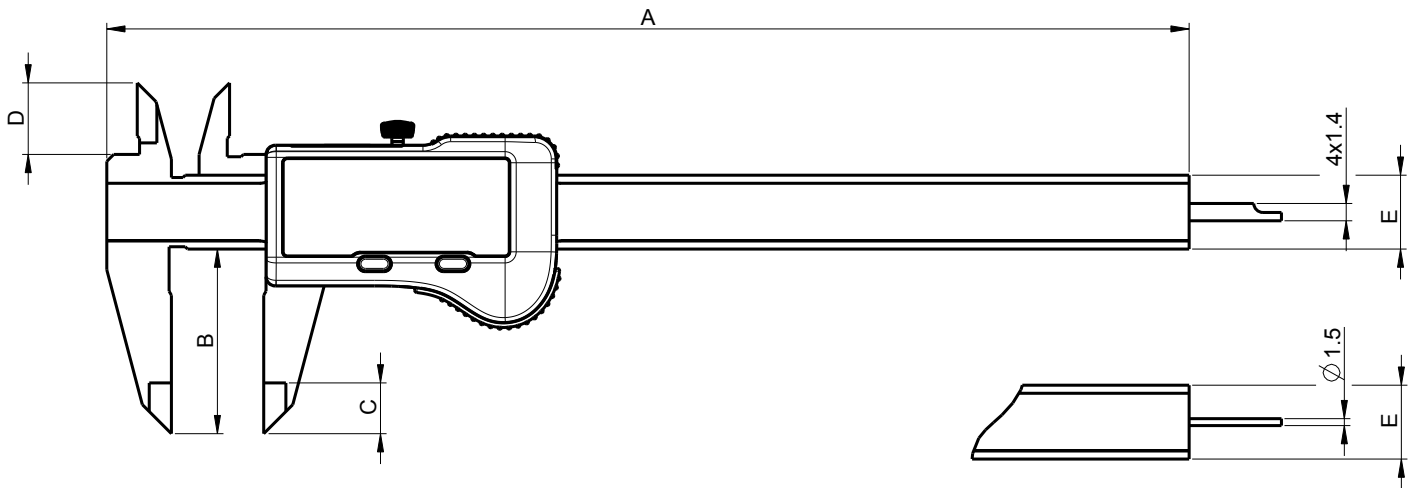


Caliper

S_Cal EVO

DIMENSIONAL DRAWING

BASIC



TECHNICAL SPECIFICATIONS

		810-1502	810-1507	810-1522	810-1532
Measuring range	mm	150	150	200	300
Max. Error G - external measurements	µm	20 ¹⁾	20 ¹⁾	30 ¹⁾	30 ¹⁾
Max. Error - internal measurements	µm	20-30 ²⁾	20-30 ²⁾	30 ²⁾	40 ²⁾
A	mm	234.5	234.5	290.5	388
B	mm	40	40	50	64
C	mm	11	11	14	14
D	mm	16	16	19	19
E	mm	16 x 3.5	16 x 3.5	16 x 3.5	16 x 4
Depth rod	mm	— 4 x 1.4	∅ 1.5	— 4 x 1.4	---
Protection rating according to IEC 60529	IP67				
Functions	Zero setting, Preset (max 999.99), mm/inch, Hold				
Smart Inductive Sensor	●				

¹⁾ 0-150 mm : 20 µm / ISO13385-1
 > 150 mm : 30 µm / ISO13385-1

²⁾ ∅4-25 : 20 µm / ISO13385-1
 ∅26-150 : 30 µm / ISO13385-1
 >∅150 : 40 µm / ISO13385-1



Caliper

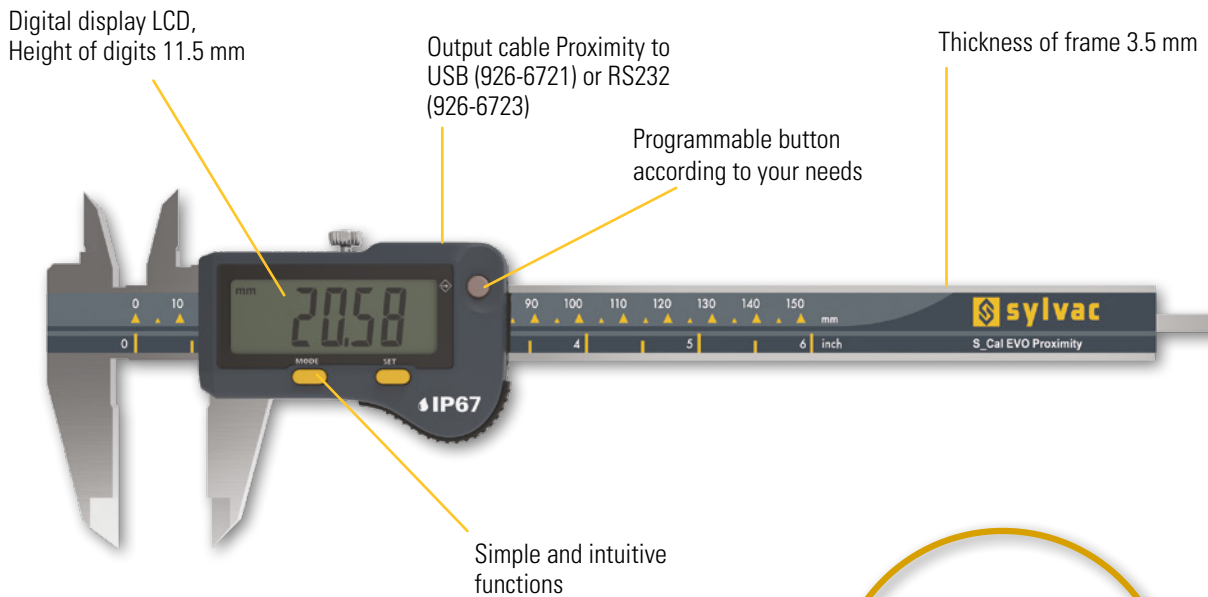
S_Cal EVO

DESCRIPTION

PROXIMITY

- High-quality ergonomic caliper with Proximity data output
- 3.5 mm thick hardened and ground stainless steel pole
- New extra-large display unit with 11.5 mm high digits
- Additional button with selectable favourite function
- Memorising the home position even when the instrument is switched off
- Available in the following executions :
 - Measuring range 150 mm with rectangular depth rod
 - Measuring range 150 mm with cylindrical depth rod
 - Measuring range 200 mm with rectangular depth rod
 - Measuring range 300 mm without depth rod
- Protection class IP67
- Wheel available as an option

C



ISO 13385-1



Proximity cable

Proximity version

* SIS description on page 5

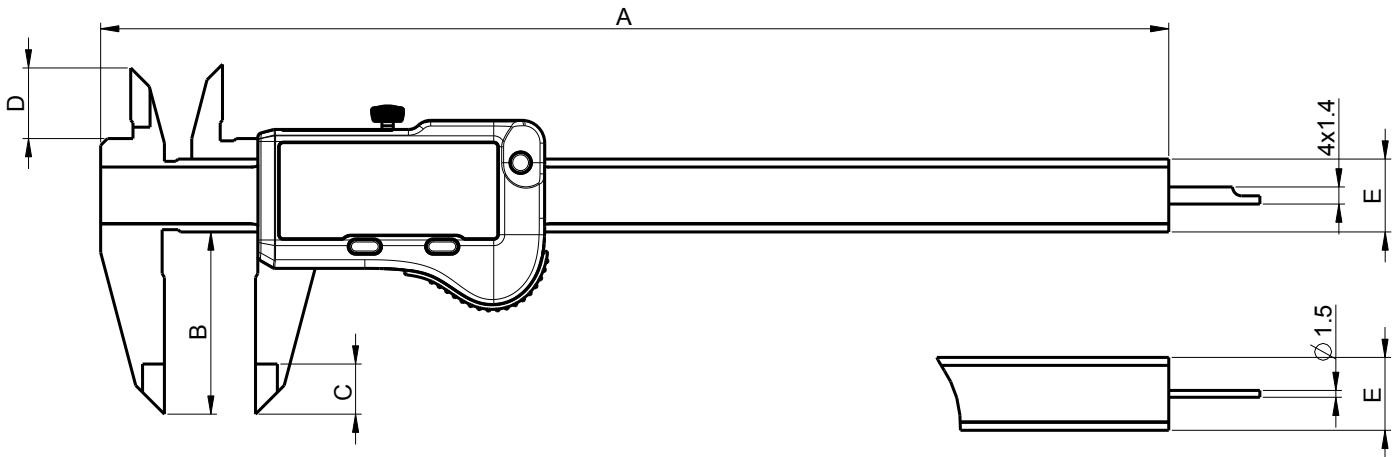


Caliper

S_Cal EVO

DIMENSIONAL DRAWING

PROXIMITY



TECHNICAL SPECIFICATIONS

		810-1702	810-1707	810-1722	810-1732
Measuring range	mm	150	150	200	300
Max. Error G - external measurements	µm	20 ¹⁾	20 ¹⁾	30 ¹⁾	30 ¹⁾
Max. Error - internal measurements	µm	20-30 ²⁾	20-30 ²⁾	30 ²⁾	40 ²⁾
A	mm	234.5	234.5	290.5	388
B	mm	40	40	50	64
C	mm	11	11	14	14
D	mm	16	16	19	19
E	mm	16 x 3.5	16 x 3.5	16 x 3.5	16 x 4
Depth rod	mm	▬ 4 x 1.4	∅ 1.5	▬ 4 x 1.4	---
Protection rating according to IEC 60529		IP67			
Functions		Zero setting, Preset (max 999.99), mm/inch, Hold			
Output data		USB / RS232 ³⁾			
Smart Inductive Sensor		●			

¹⁾ 0-150 mm : 20 µm / ISO13385-1
> 150 mm : 30 µm / ISO13385-1

²⁾ ∅4-25 : 20 µm / ISO13385-1
∅26-150 : 30 µm / ISO13385-1
>∅150 : 40 µm / ISO13385-1

³⁾ see cables chapter



Micron Caliper

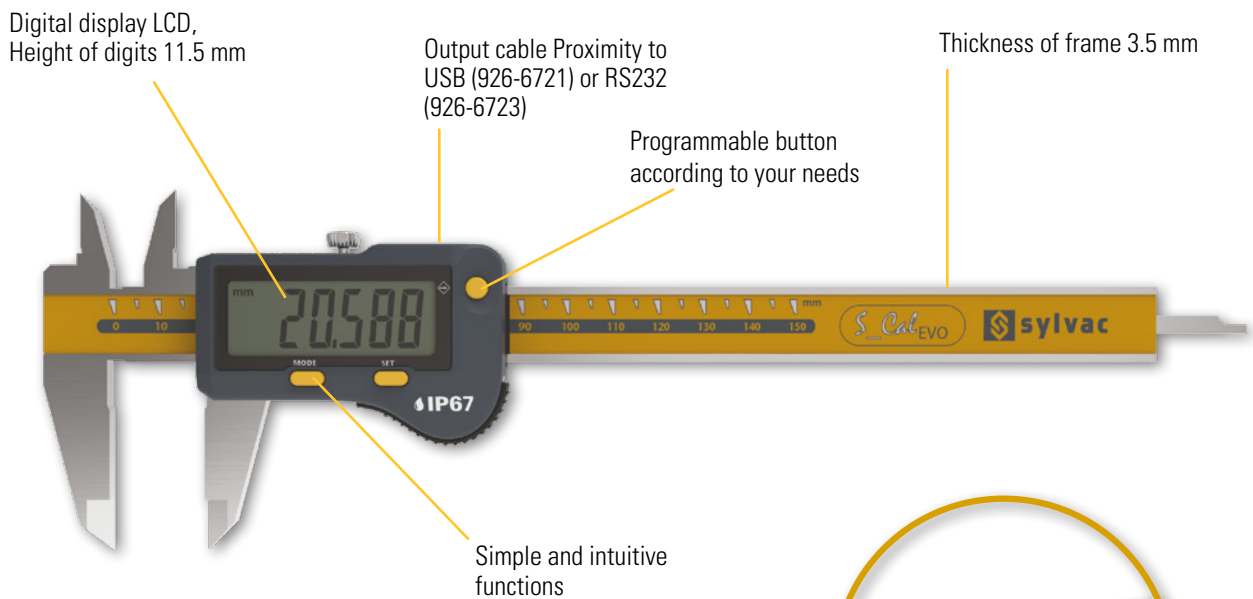
S_Cal EVO

DESCRIPTION

PROXIMITY MICRON

- High quality ergonomic caliper with micron display and Proximity data output
- Hardened, finely ground stainless steel frame, thickness 3.5 mm
- New extra-large display unit, resolution 0.001 mm, digits height 11.5 mm
- Preset function to measure by comparison
- Additional button with selectable favourite function
- Memorising the home position even when the instrument is switched off
- Available in the following executions :
 - Measuring range 150 mm with rectangular depth rod
 - Measuring range 150 mm with cylindrical depth rod
- Protection class IP67
- Delivered with calibration certificate
- Wheel available as an option

C



ISO 13385-1



SIS Smart Inductive System



IP67



Proximity cable

Version Proximity micron

* SIS description on page 5

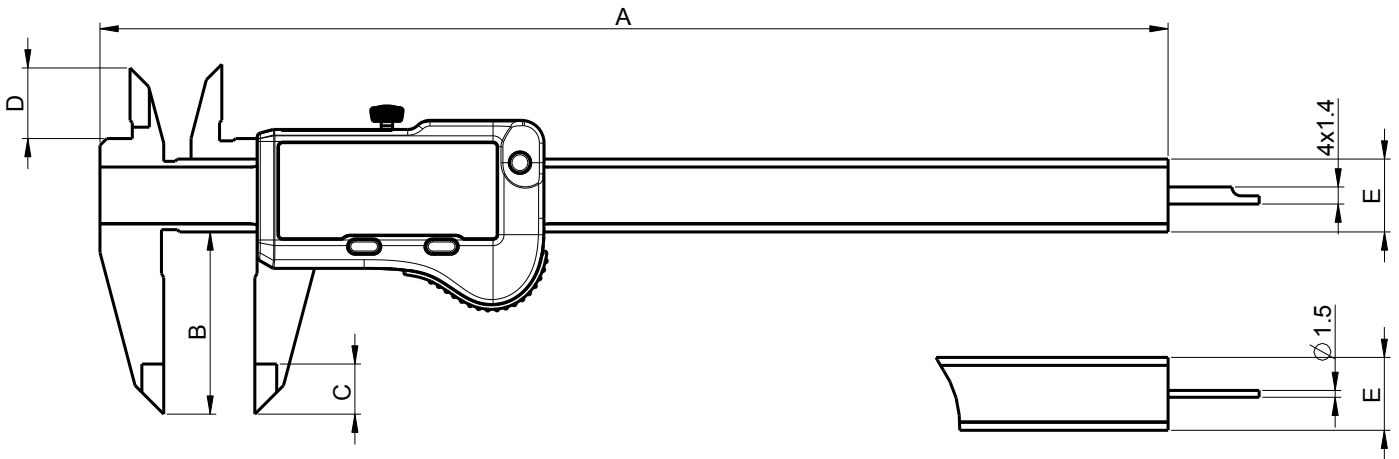


Micron Caliper

S_Cal EVO

DIMENSIONAL DRAWING

PROXIMITY MICRON



TECHNICAL SPECIFICATIONS

		810-9702	810-9707
Measuring range	mm	150	150
Max. Error G - external measurements	µm	20 ¹⁾	20 ¹⁾
Max. Error - internal measurements	µm	20-30 ²⁾	20-30 ²⁾
Resolution	mm	0.001	
A	mm	234.5	234.5
B	mm	40	40
C	mm	11	11
D	mm	16	16
E	mm	16 x 3.5	16 x 3.5
Depth rod	mm	■ 4 x 1.4	∅1.5
Functions		Zero setting, Preset (max 99.999), mm/inch, Hold	
Protection rating according to IEC 60529		IP67	
Output data		USB / RS232 ³⁾	
Smart Inductive Sensor		●	

¹⁾ 0-150 mm : 20 µm / ISO13385-1
> 150 mm : 30 µm / ISO13385-1

²⁾ ∅4-25 : 20 µm / ISO13385-1
∅26-150 : 30 µm / ISO13385-1

³⁾ see cables chapter



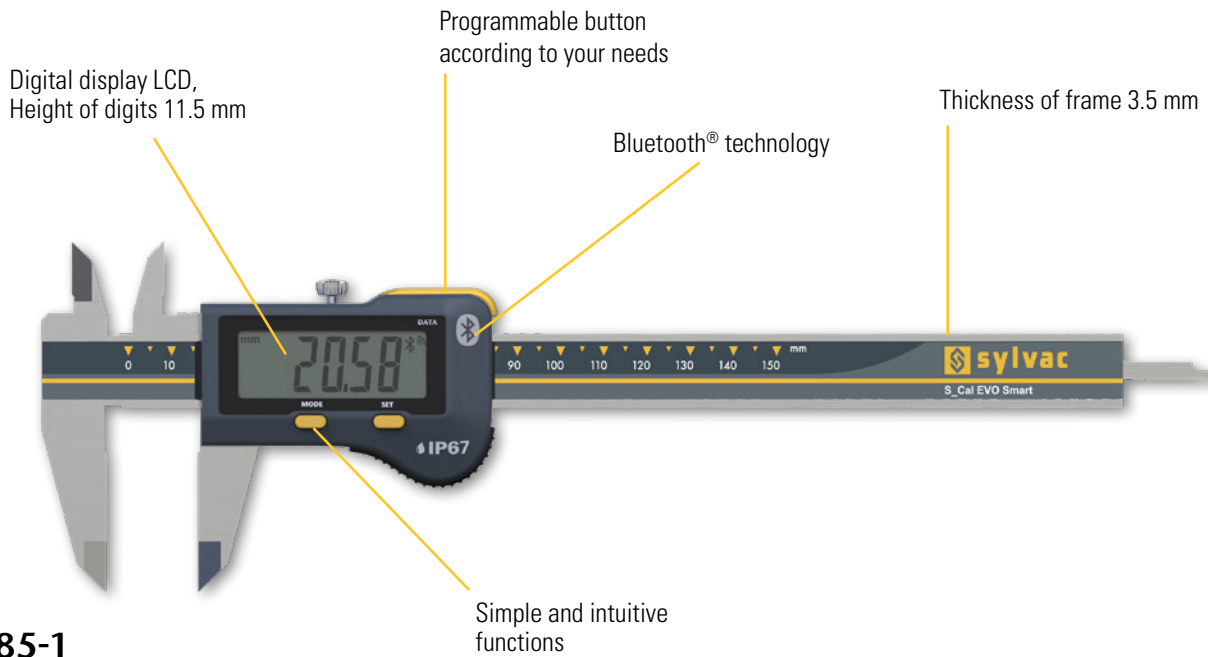
Caliper

S_Cal EVO

DESCRIPTION

SMART

- High-quality ergonomic caliper with integrated Bluetooth® system
- 3.5 mm thick hardened and ground stainless steel frame
- New extra-large display unit with 11.5 mm high digits
- Convenient push button for sending data that can also be programmed with another function
- Memorising the home position even when the instrument is switched off
- Available in the following executions :
 - Measuring range 150 mm with rectangular depth rod
 - Measuring range 150 mm with cylindrical depth rod
 - Measuring range 200 mm with rectangular depth rod
 - Measuring range 300 mm without depth rod
- Protection class IP67
- Wheel available as an option



ISO 13385-1



IP67

Bluetooth® wireless technology and IP67 protection rating!



* SIS description on page 5

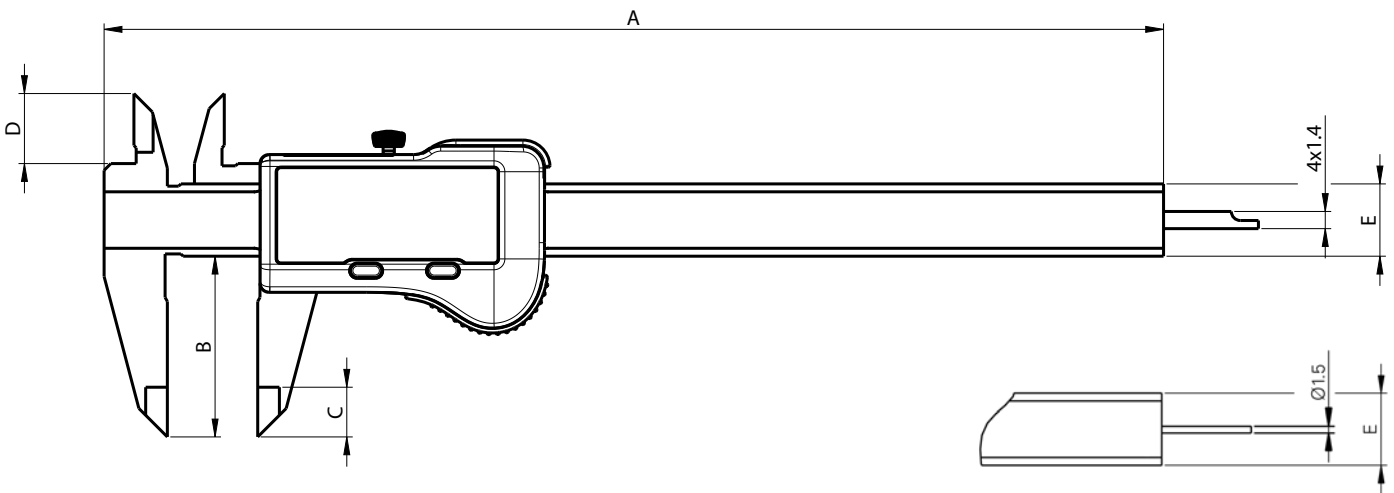


Caliper

S_Cal EVO

DIMENSIONAL DRAWING

SMART



TECHNICAL SPECIFICATIONS

		810-1506	810-1516	810-1526	810-1536
Measuring range	mm	150	150	200	300
Max. Error G - external measurements	µm	20 ¹⁾	20 ¹⁾	30 ¹⁾	30 ¹⁾
Max. Error - internal measurements	µm	20-30 ²⁾	20-30 ²⁾	30 ²⁾	40 ²⁾
A	mm	234.5	234.5	290.5	388
B	mm	40	40	50	64
C	mm	11	11	14	14
D	mm	16	16	19	19
E	mm	16 x 3.5	16 x 3.5	16 x 3.5	16 x 4
Depth rod	mm	▬ 4 x 1.4	Ø 1.5	▬ 4 x 1.4	---
Protection rating according to IEC 60529	IP67				
Output data	Bluetooth® wireless technology*				
Functions	Zero setting, Preset (max 999.99), mm/inch, Hold, Data				
Smart Inductive Sensor	●				

¹⁾ 0-150 mm : 20 µm / ISO13385-1
 > 150 mm : 30 µm / ISO13385-1

²⁾ Ø4-25 : 20 µm / ISO13385-1
 Ø26-150 : 30 µm / ISO13385-1
 >Ø150 : 40 µm / ISO13385-1

* Up to 8 instruments connected per dongle #981-7100



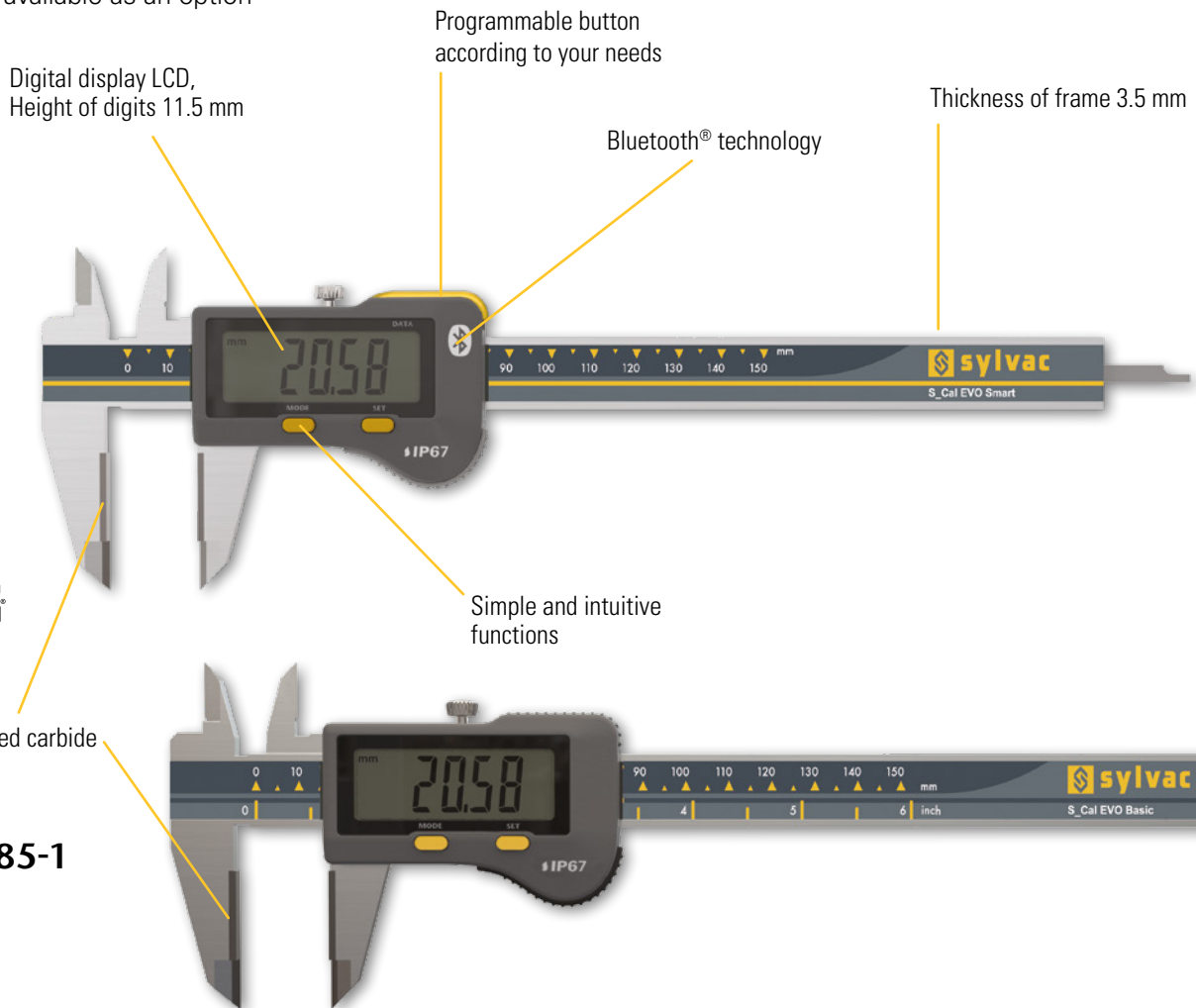
Caliper

S_Cal EVO

DESCRIPTION

CARBIDE

- High-quality ergonomic caliper with integrated Bluetooth® system
- Outer jaws featuring soldered carbide pads
- 3.5 mm thick hardened and ground stainless steel frame
- New extra-large display unit with 11.5 mm high digits
- Convenient push button for sending data that can also be programmed with another function
- Memorising the home position even when the instrument is switched off
- Available in the following executions :
 - Measuring range 150 mm with rectangular depth rod
 - Measuring range 150 mm with cylindrical depth rod
 - Measuring range 200 mm with rectangular depth rod
- Protection class IP67
- Wheel available as an option



ISO 13385-1



IP67

* SIS description on page 5

Outer jaws featuring soldered carbide pads

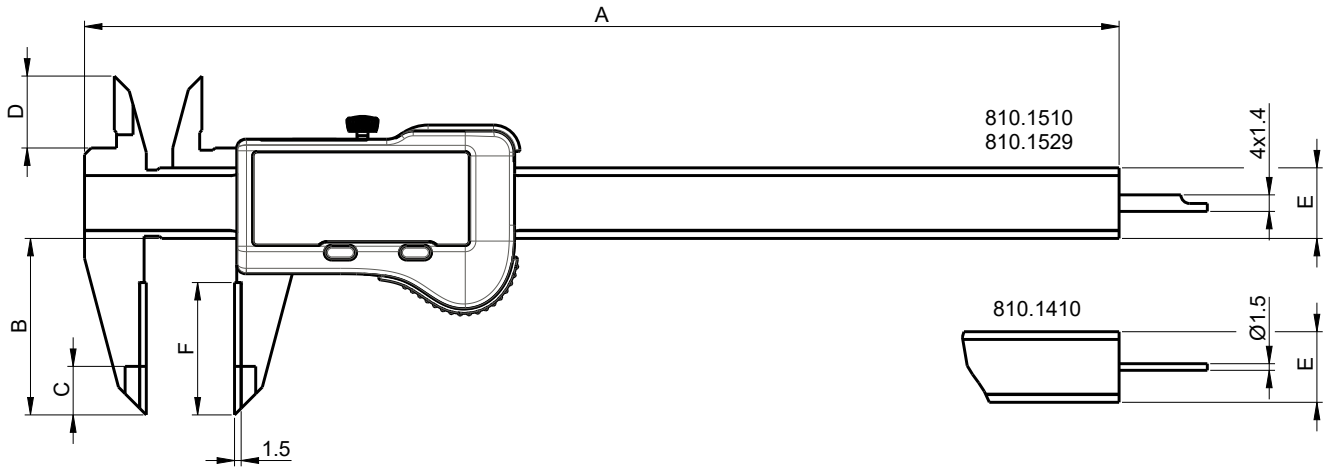


Caliper

S_Cal EVO

DIMENSIONAL DRAWING

CARBIDE



TECHNICAL SPECIFICATIONS

		810-1410	810-1510	810-1529
Measuring range	mm	150	150	200
Max. Error G - external measurements	µm	20 ¹⁾	20 ¹⁾	30 ¹⁾
Max. Error - internal measurements	µm	20-30 ²⁾	20-30 ²⁾	30 ²⁾
A	mm	234.5	234.5	290
B	mm	40	40	50
C	mm	11	11	14
D	mm	16	16	19
E	mm	16 x 3.5	16 x 3.5	16 x 3.5
F	mm	30	30	36
Depth rod	mm	Ø 1.5	4 x 1.4	4 x 1.4
Protection rating according to IEC 60529		IP67	IP67	IP67
Output data		-	Bluetooth® wireless technology*	
Functions		Zero setting, Preset (max 999.99), mm/inch, Hold, Data		
Smart Inductive Sensor		●		

¹⁾ 0-150 mm : 20 µm / ISO13385-1²⁾ Ø4-25 : 20 µm / ISO13385-1
Ø26-150 : 30 µm / ISO13385-1

* Up to 8 instruments connected per dongle #981-7100



Micron Caliper

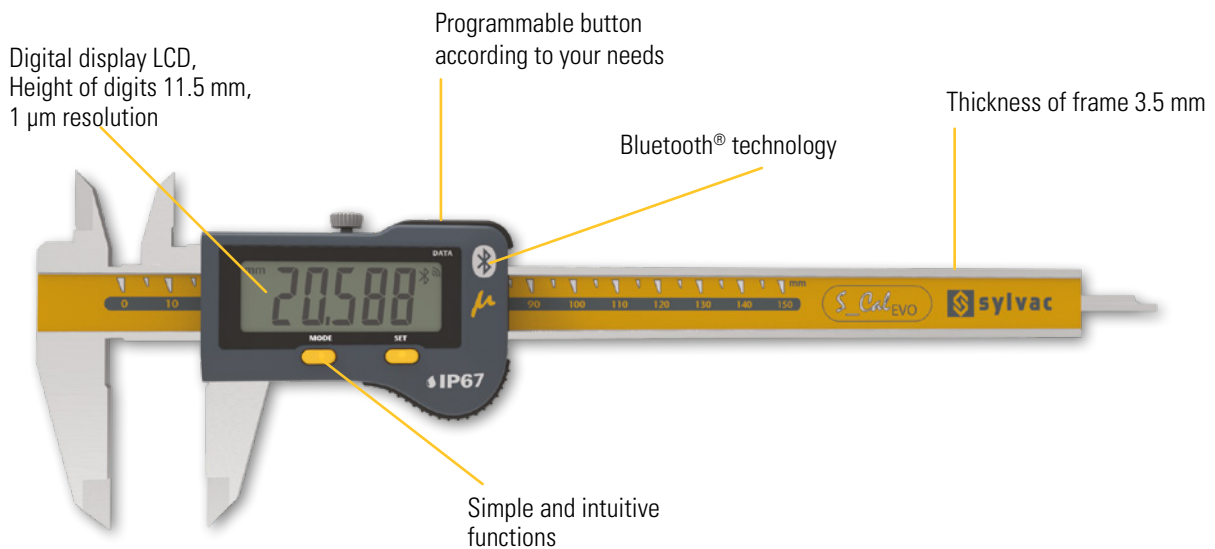
S_Cal EVO

DESCRIPTION

SMART MICRON

- High-quality ergonomic caliper with micron display and integrated Bluetooth® system
- Hardened and finely ground stainless steel frame, thickness 3.5 mm
- New extra-large display unit, resolution 0.001 mm, digits height 11.5 mm
- Preset function to measure by comparison
- Convenient push button for sending data that can also be programmed with another function
- Memorising the home position even when the instrument is switched off
- Available in the following executions :
 - Measuring range 150 mm with rectangular depth rod
 - Measuring range 150 mm with cylindrical depth rod
- Protection class IP67
- Delivered with calibration certificate
- Wheel available as an option

C



ISO 13385-1



* SIS description on page 5



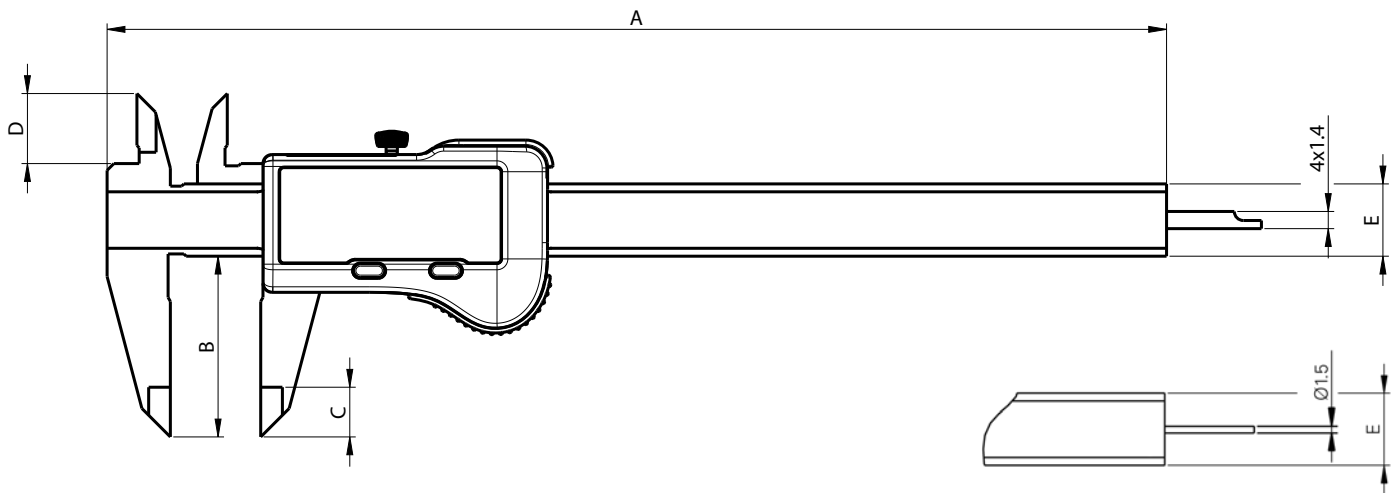


Micron Caliper

S_Cal EVO

DIMENSIONAL DRAWING

SMART MICRON



TECHNICAL SPECIFICATIONS

		810-9506	810-9516
Measuring range	mm	150	150
Max. Error G - external measurements	µm	20 ¹⁾	20 ¹⁾
Max. Error - internal measurements	µm	20-30 ²⁾	20-30 ²⁾
Resolution	mm	0.001	
A	mm	234.5	234.5
B	mm	40	40
C	mm	11	11
D	mm	16	16
E	mm	16 x 3.5	16 x 3.5
Depth rod	mm	4 x 1.4	Ø 1.5
Protection rating according to IEC 60529		IP67	IP67
Output data		Bluetooth® wireless technology*	
Functions		Zero setting, Preset (max 999.99), mm/inch, Hold, Data	
Smart Inductive Sensor		●	

¹⁾ 0-150 mm : 20 µm / ISO13385-1
 > 150 mm : 30 µm / ISO13385-1

²⁾ Ø4-25 : 20 µm / ISO13385-1
 Ø26-150 : 30 µm / ISO13385-1

* Up to 8 instruments connected per dongle #981-7100



Special caliper

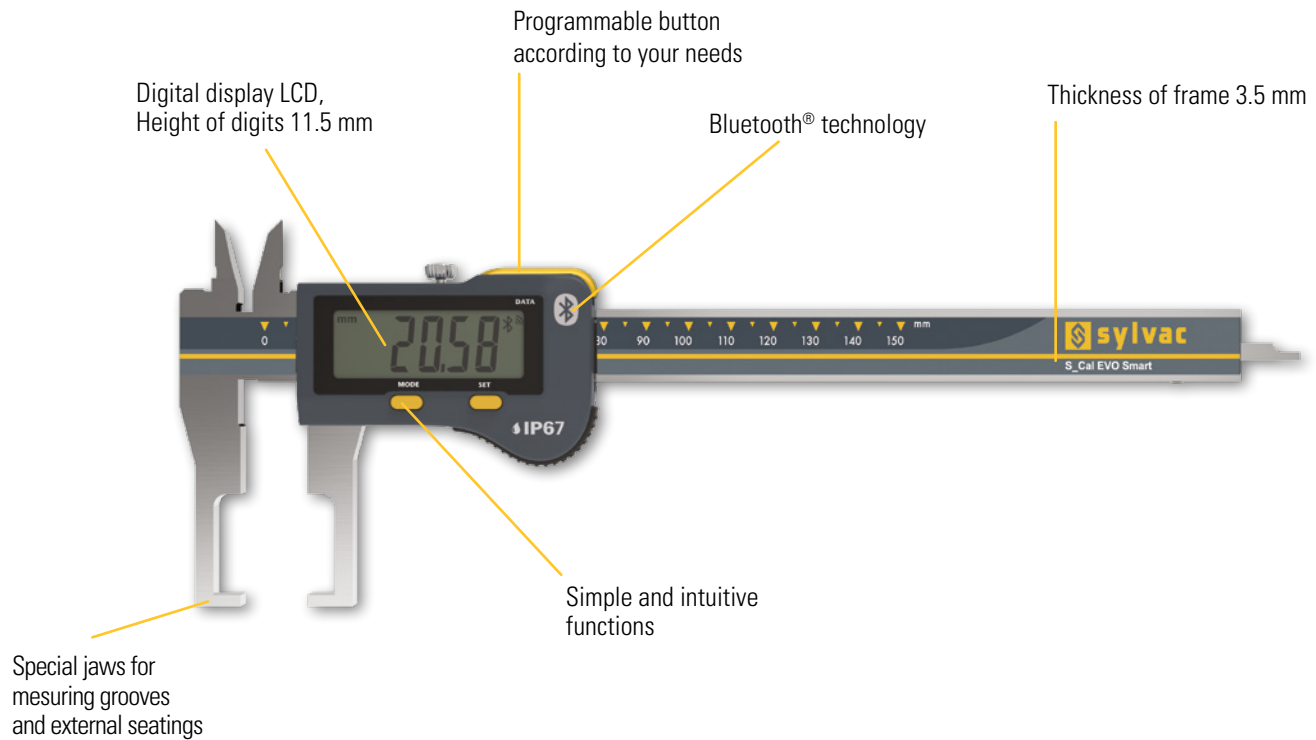
S_Cal EVO

DESCRIPTION

SMART EXTERNAL GROOVE

- High-quality, ergonomic caliper with integrated Bluetooth® system
- Model for the measurement of external grooves from 2.6 mm wide
- 3.5 mm thick hardened and ground stainless steel frame
- New extra-large display unit with 11.5 mm high digits
- Convenient push button for sending data that can also be programmed with another function
- Memorising the home position even when the instrument is switched off
- Measuring range 150 mm with rectangular depth rod
- Protection class IP67
- Wheel available as an option

C



ISO 13385-1



* SIS description on page 5

For measuring grooves and external seatings

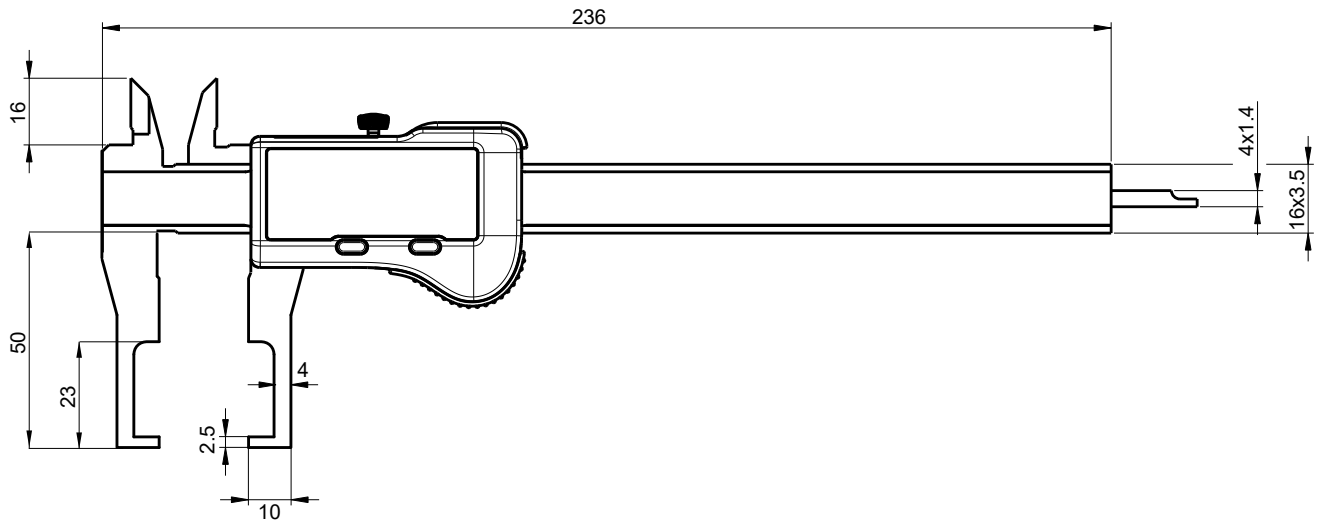


Special caliper

S_Cal EVO

DIMENSIONAL DRAWING

SMART EXTERNAL GROOVE



TECHNICAL SPECIFICATIONS

		810-1602
Measuring range	mm	150
Max. Error G - external measurements	µm	20 ¹⁾
Max. Error - internal measurements	µm	20-30 ²⁾
Depth rod	mm	— 4 x 1.4
Protection rating according to IEC 60529		IP67
Output data		Bluetooth® wireless technology*
Functions		Zero setting, Preset (max 999.99), mm/inch, Hold, Data
Smart Inductive Sensor		●

¹⁾ 0-150 mm : 20 µm / ISO13385-1

²⁾ Ø4-25 : 20 µm / ISO13385-1
Ø26-150 : 30 µm / ISO13385-1

*** Up to 8 instruments connected per dongle #981-7100**



Special caliper

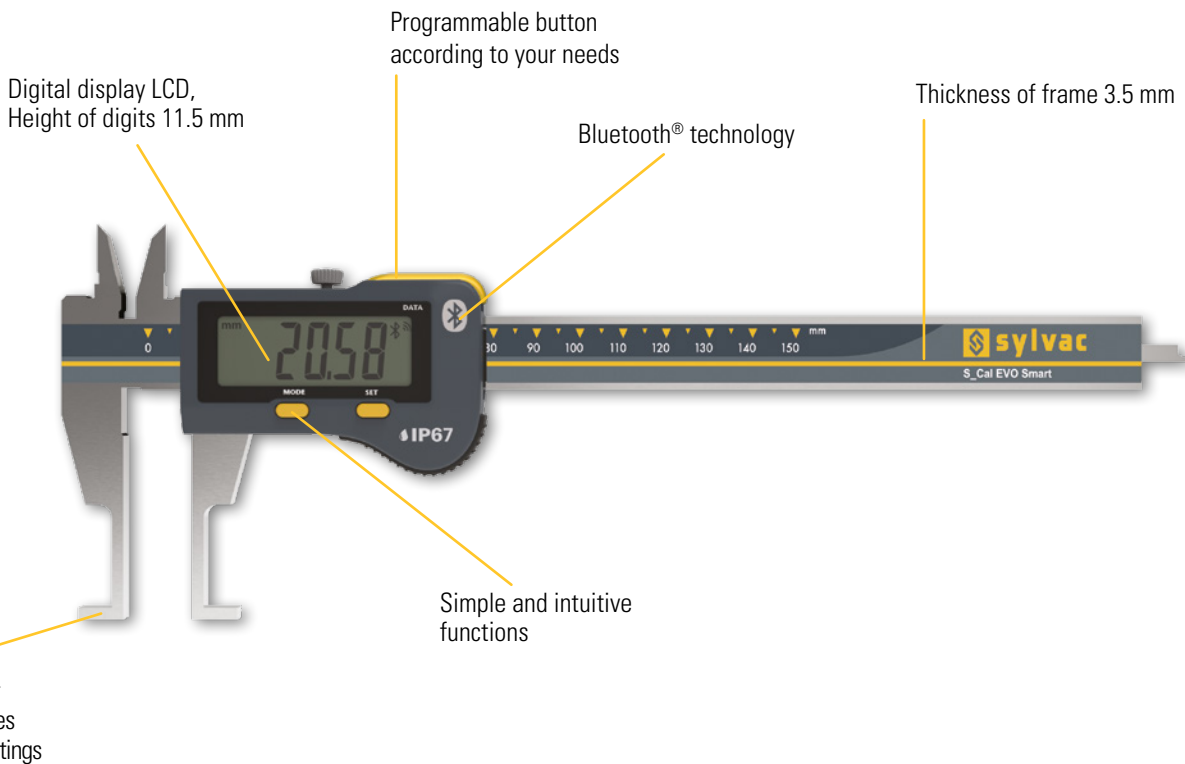
S_Cal EVO

DESCRIPTION

SMART INTERNAL GROOVE

- High-quality, ergonomic caliper with integrated Bluetooth® system
- Model for the measurement of internal grooves from 2.6mm width
- 3.5 mm thick hardened and ground stainless steel frame
- New extra-large display unit with 11.5 mm high digits
- Convenient push button for sending data that can also be programmed with another function
- Memorising the home position even when the instrument is switched off
- Measuring range 150 mm with rectangular depth rod
- Protection class IP67
- Wheel available as an option

C



ISO 13385-1



* SIS description on page 5

For measuring grooves and internal seatings

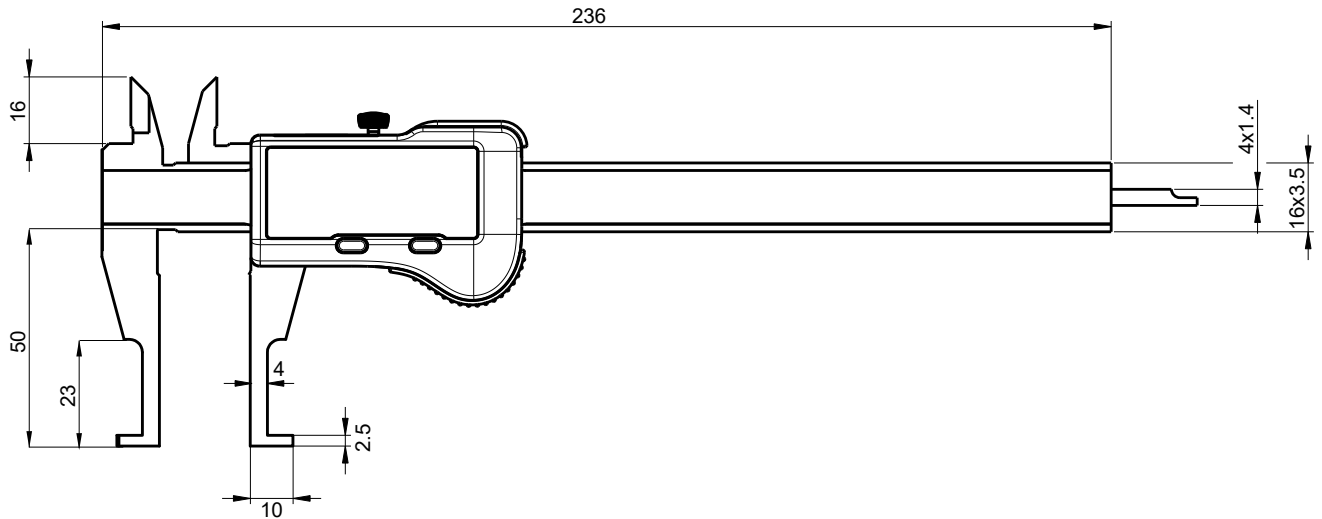


Special caliper

S_Cal EVO

DIMENSIONAL DRAWING

SMART INTERNAL GROOVE



C

TECHNICAL SPECIFICATIONS

		810-1600
Measuring range	mm	150
Max. Error G - external measurements	µm	20 ¹⁾
Max. Error - internal measurements	µm	20-30 ²⁾
Depth rod	mm	4 x 1.4
Protection rating according to IEC 60529		IP67
Output data		Bluetooth® wireless technology*
Functions		Zero setting, Preset (max 999.99), mm/inch, Hold, Data
Smart Inductive Sensor		●

¹⁾ 0-150 mm : 20 µm / ISO13385-1

²⁾ Ø4-25 : 20 µm / ISO13385-1
Ø26-150 : 30 µm / ISO13385-1

*** Up to 8 instruments connected per dongle #981-7100**



Special caliper

S_Cal EVO

DESCRIPTION

SMART DEEP MEASUREMENT

- High-quality, ergonomic caliper with integrated Bluetooth® system
- Model with long 45 mm jaws for deep internal measurements
- 3.5 mm thick hardened and ground stainless steel frame
- New extra-large display unit with 11.5 mm high digits
- Convenient push button for sending data that can also be programmed with another function
- Memorising the home position even when the instrument is switched off
- Measuring range 150 mm with rectangular depth rod
- Protection class IP67
- Wheel available as an option

C



Digital display LCD,
Height of digits 11.5 mm

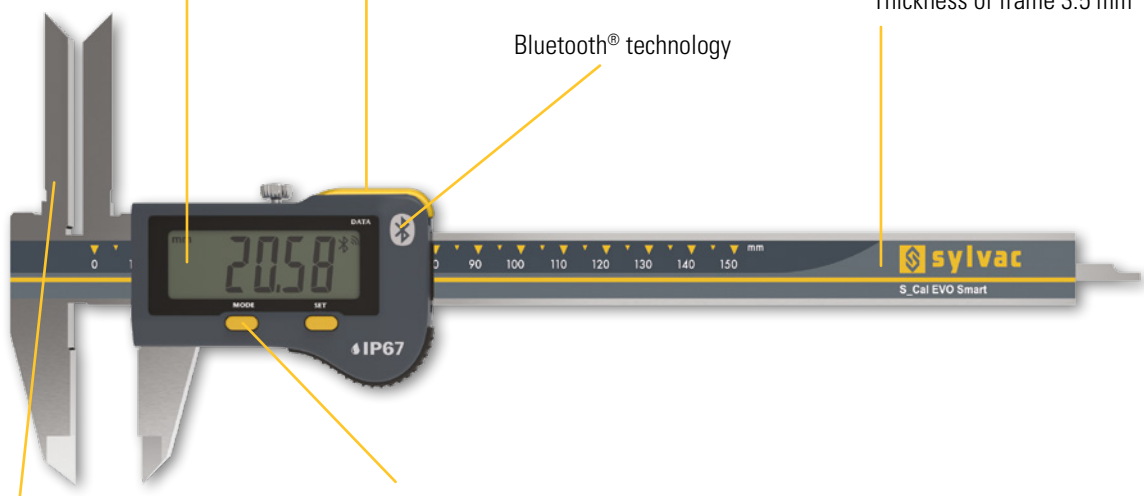
Programmable button
according to your needs

Bluetooth® technology

Thickness of frame 3.5 mm

Long jaws

Simple and intuitive
functions



ISO 13385-1



Long internal jaws for deep measurements

* SIS description on page 5

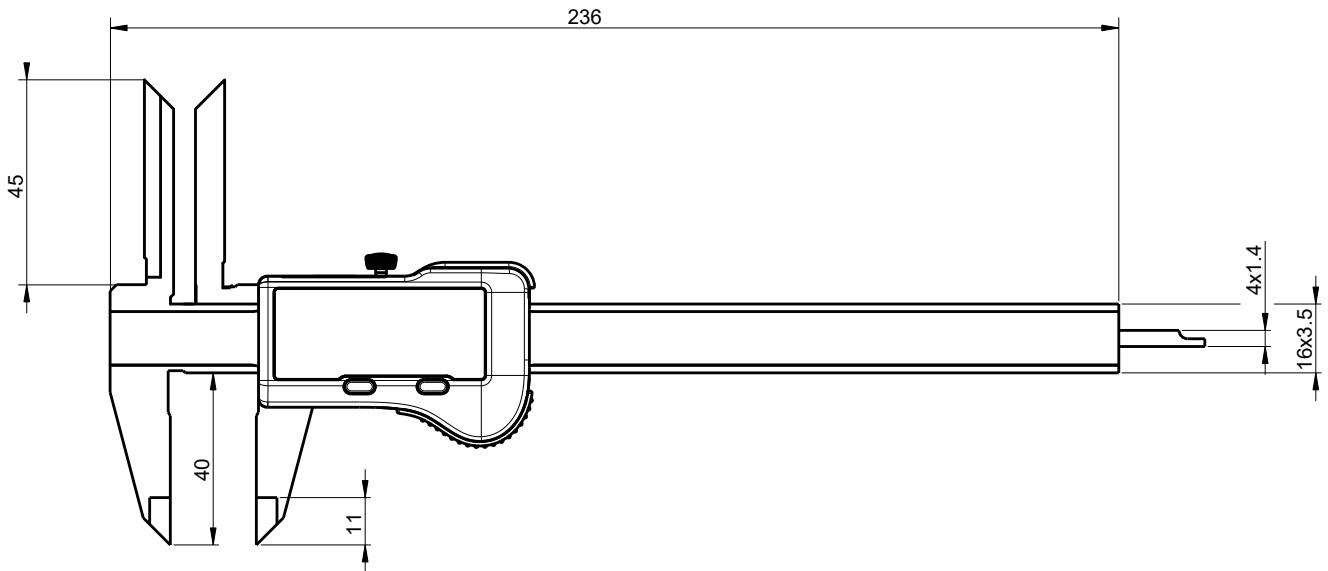


Special caliper

S_Cal EVO

DIMENSIONAL DRAWING

SMART DEEP MEASUREMENT



C

TECHNICAL SPECIFICATIONS

		810-1603
Measuring range	mm	150
Max. Error G - external measurements	µm	20 ¹⁾
Max. Error - internal measurements	µm	20-30 ²⁾
Depth rod	mm	— 4 x 1.4
Protection rating according to IEC 60529		IP67
Output data		Bluetooth® wireless technology*
Functions		Zero setting, Preset (max 999.99), mm/inch, Hold, Data
Smart Inductive Sensor		●

¹⁾ 0-150 mm : 20 µm / ISO13385-1

²⁾ Ø4-25 : 20 µm / ISO13385-1
Ø26-150 : 30 µm / ISO13385-1

* Up to 8 instruments connected per dongle #981-7100



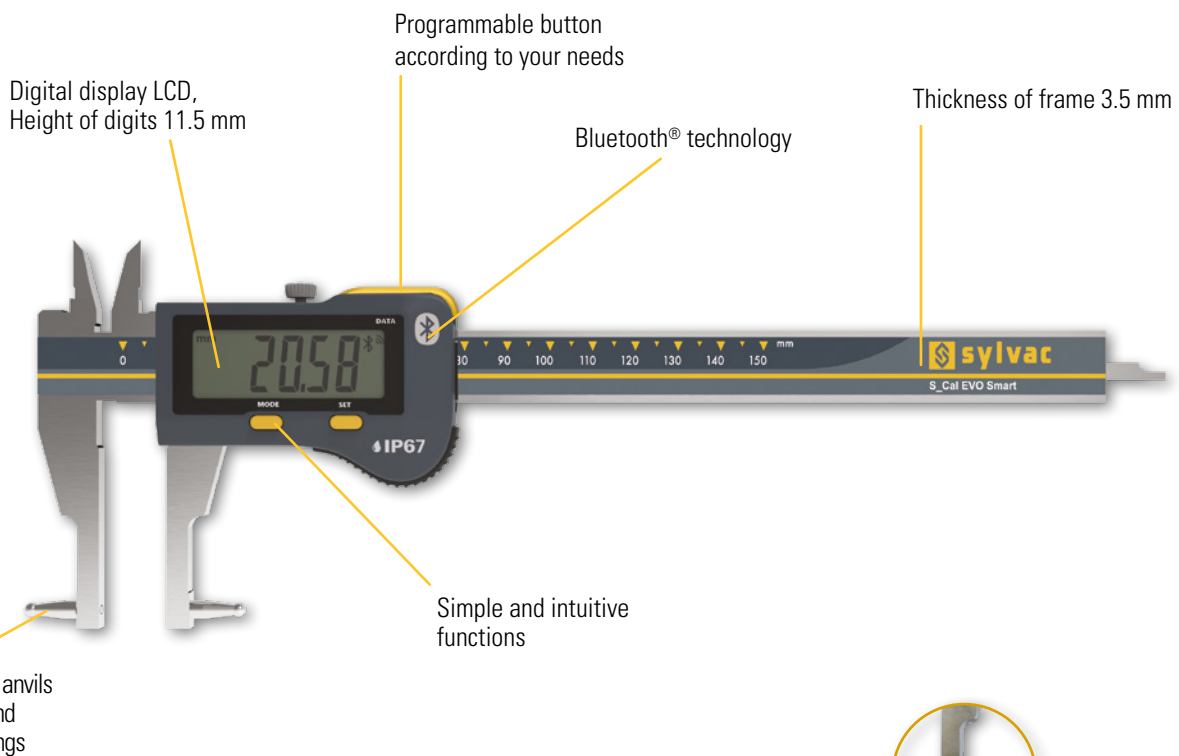
Special caliper

S_Cal EVO

DESCRIPTION

SMART POINTS JAWS

- High-quality, ergonomic caliper with integrated Bluetooth® system
- Equipped with interchangeable M2.5 keys with hard metal ball Ø2.5 mm, for all kinds of internal measurements from 34 mm with these keys.
- 3.5 mm thick hardened and ground stainless steel frame
- New extra-large display unit with 11.5 mm high digits
- Convenient push button for sending data that can also be programmed with another function
- Memorising the original position even when the instrument is switched off
- Measuring range 150 mm with rectangular depth rod
- Protection class IP67
- Wheel available as an option



ISO 13385-1



SIS Smart Inductive System



IP67

* SIS description on page 5



M2.5

Interchangeable anvils

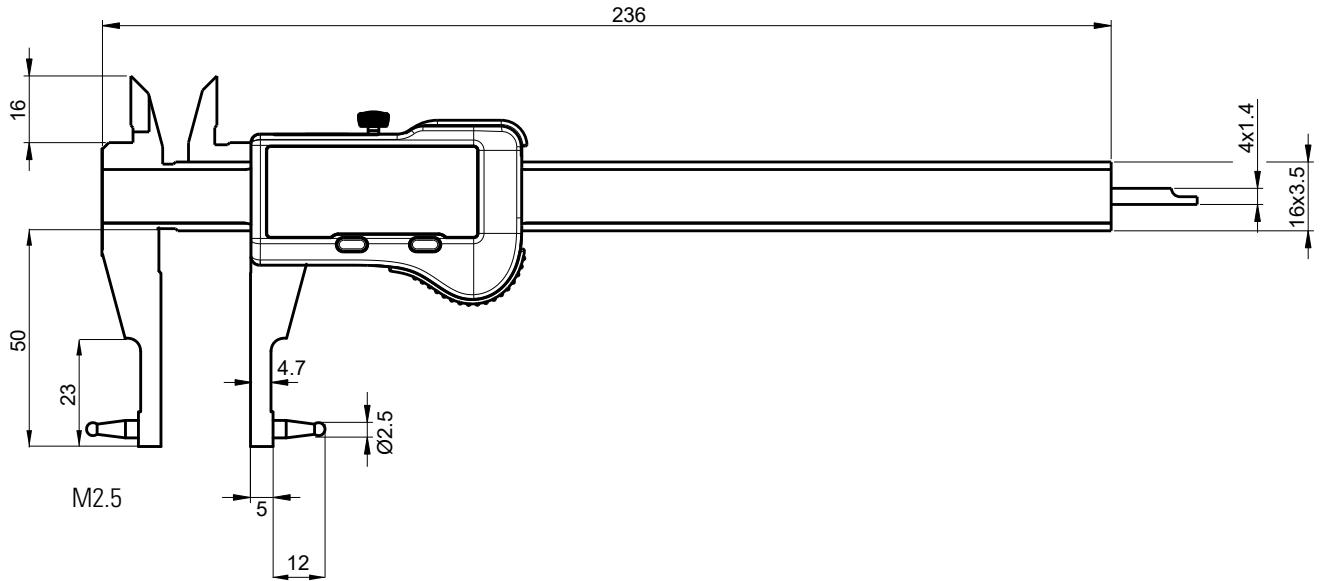


Special caliper

S_Cal EVO

DIMENSIONAL DRAWING

SMART POINTS JAWS



TECHNICAL SPECIFICATIONS

		810-1601
Measuring range	mm	150
Max. Error G - external measurements	µm	20 ¹⁾
Max. Error - internal measurements	µm	20-30 ²⁾
Depth rod	mm	— 4 x 1.4
Protection rating according to IEC 60529		IP67
Output data		Bluetooth® wireless technology*
Functions		Zero setting, Preset (max 999.99), mm/inch, Hold, Data
Smart Inductive Sensor		●

¹⁾ 0-150 mm : 20 µm / ISO13385-1

²⁾ Ø4-25 : 20 µm / ISO13385-1
Ø26-150 : 30 µm / ISO13385-1

*** Up to 8 instruments connected per dongle #981-7100**



Partkey to screw/unscrew the anvils



Caliper mid size

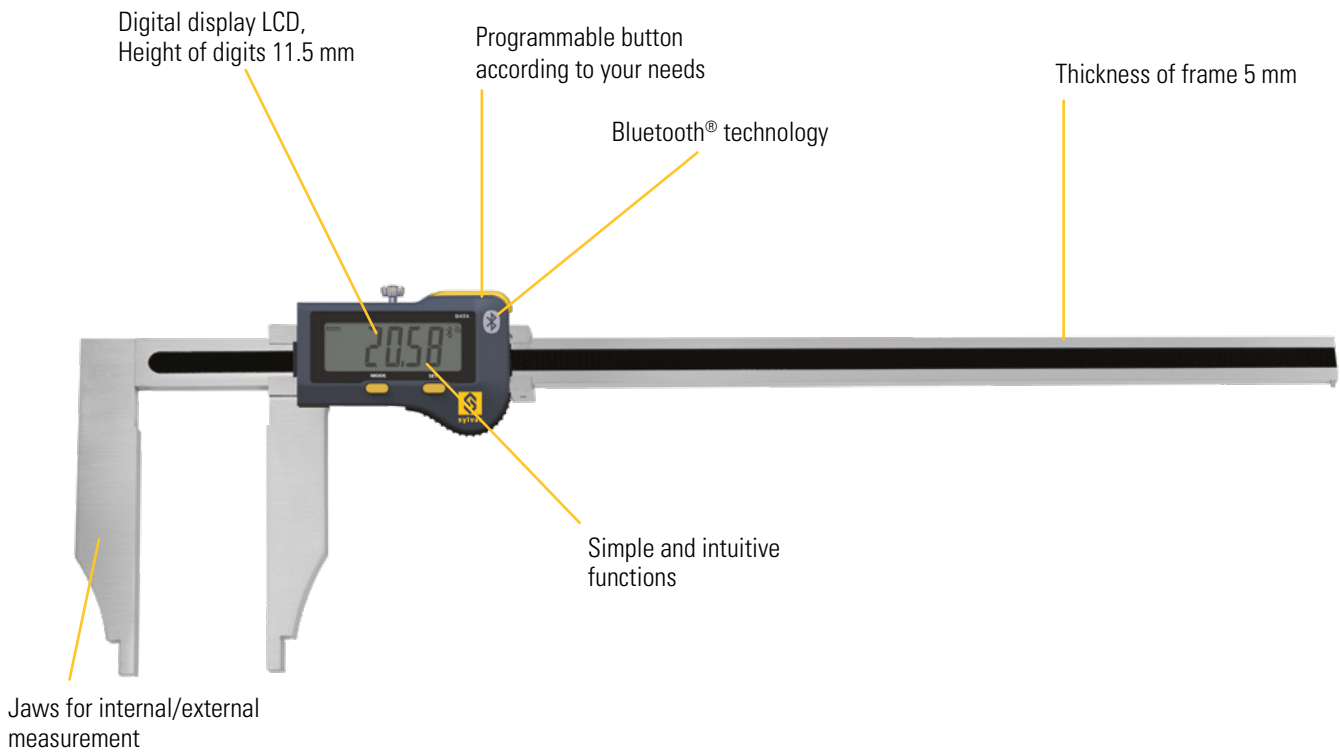
S_Cal EVO Form E

DESCRIPTION

MID SIZE CALIPER R5

- High-quality, ergonomic caliper with integrated Bluetooth® system
- Equipped with long, 100 mm long beaks with a clear end, enabling both external and internal dimensions to be measured from 10.1 mm upwards.
- Hardened and ground stainless steel rod 5 mm thick
- New extra-large display unit with 11.5 mm high digits
- Convenient push button for sending data that can also be programmed with another function
- Memorising the home position even when the instrument is switched off
- Measuring range 300 mm
- Protection class IP67

C



ISO 13385-1



Mid size caliper



* SIS description on page 5

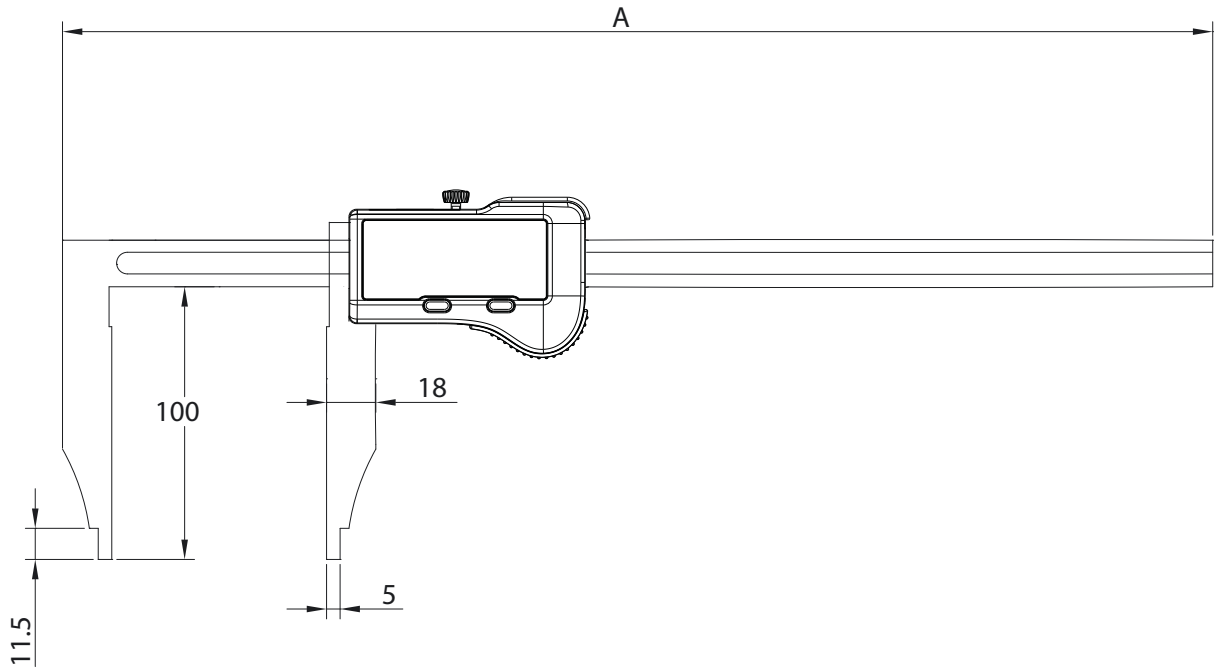


Caliper mid size

S_Cal EVO Form E

DIMENSIONAL DRAWING

MID SIZE CALIPER R5



C

TECHNICAL SPECIFICATIONS

		810-1546
Measuring range	mm	300
Accuracy	mm	0.03
Resolution	mm	0.01
A	mm	425
Bar section	mm	17x5
Protection rating according to IEC 60529		IP67
Output data		Bluetooth® wireless technology*
Functions		Zero setting, Preset (max 999.99), mm/inch, Hold, Data
Smart Inductive Sensor		●

*** Up to 8 instruments connected per dongle #981-7100**



Caliper mid size

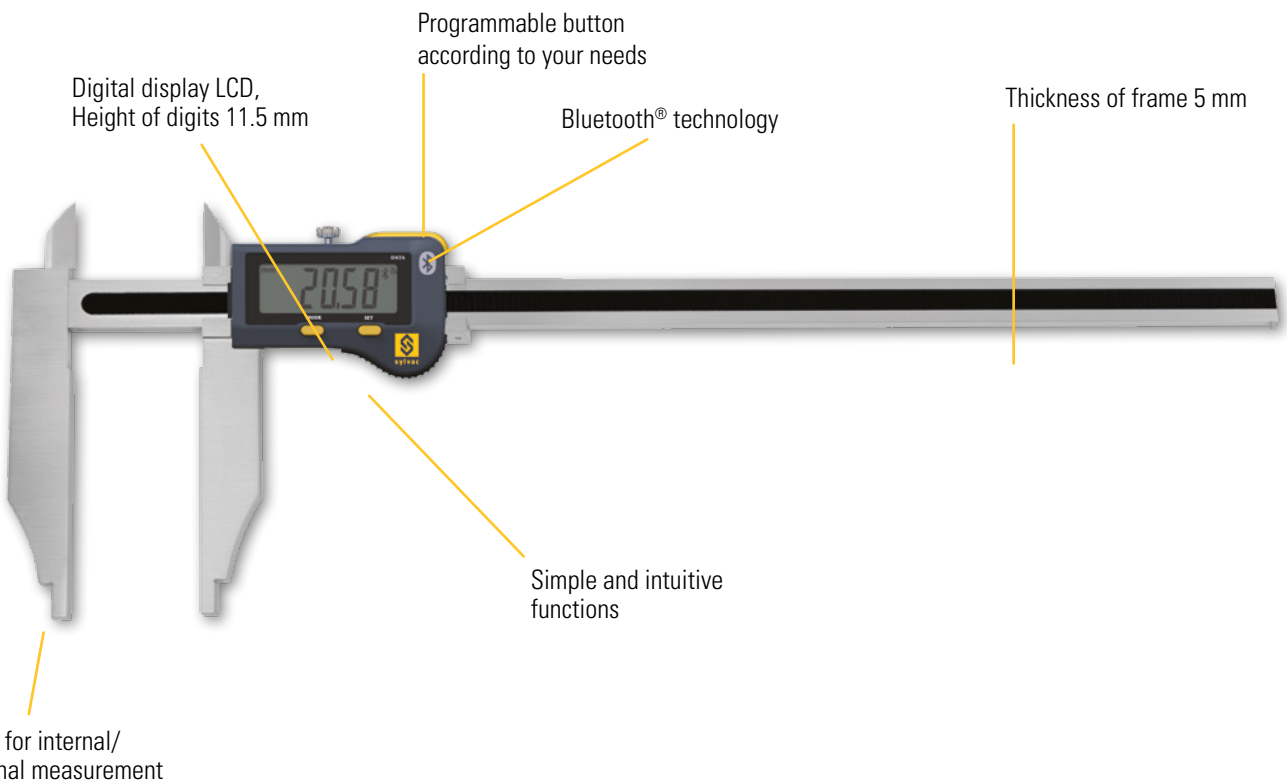
S_Cal EVO Form B

DESCRIPTION

MID SIZE CALIPER R5 WITH UPPER JAWS

- High-quality, ergonomic caliper with integrated Bluetooth® system
- Equipped with long 100 mm beaks free at the end for measuring both external and internal dimensions from 10.1 mm and small top beaks for measuring internal dimensions.
- Hardened and ground stainless steel rod 5 mm thick
- New extra-large display unit with 11.5 mm high digits
- Convenient push button for sending data that can also be programmed with another function
- Memorising the home position even when the instrument is switched off
- Measuring range 300 and 500 mm
- Protection class IP67

C



ISO 13385-1



Mid size caliper with upper jaws



IP67

* SIS description on page 5

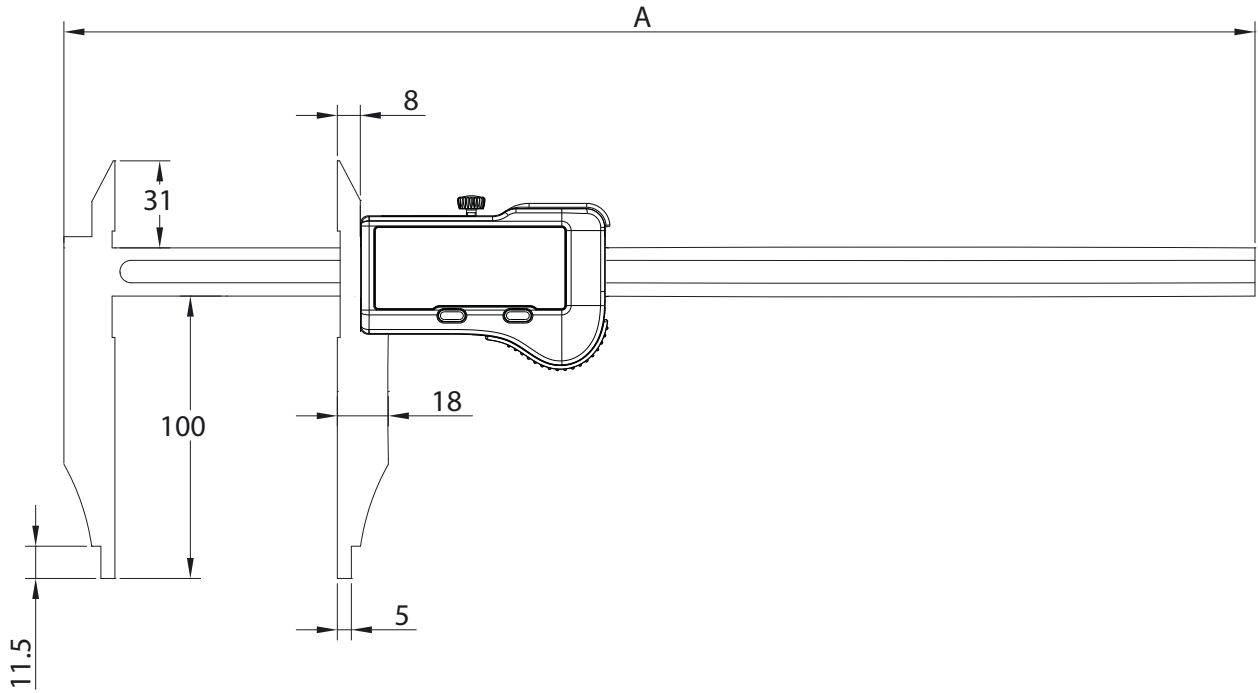


Caliper mid size

S_Cal EVO Form B

DIMENSIONAL DRAWING

MID SIZE CALIPER R5 WITH UPPER JAWS



C

TECHNICAL SPECIFICATIONS

		810-1556	810-1558
Measuring range	mm	300	500
Accuracy	mm	0.03	
Resolution	mm	0.01	
A	mm	425	525
Bar section	mm	17x5	
Protection rating according to IEC 60529		IP67	
Output data		Bluetooth® wireless technology*	
Functions		Zero setting, Preset (max 999.99), mm/inch, Hold, Data	
Smart Inductive Sensor		●	

* Up to 8 instruments connected per dongle #981-7100



Depth gauge

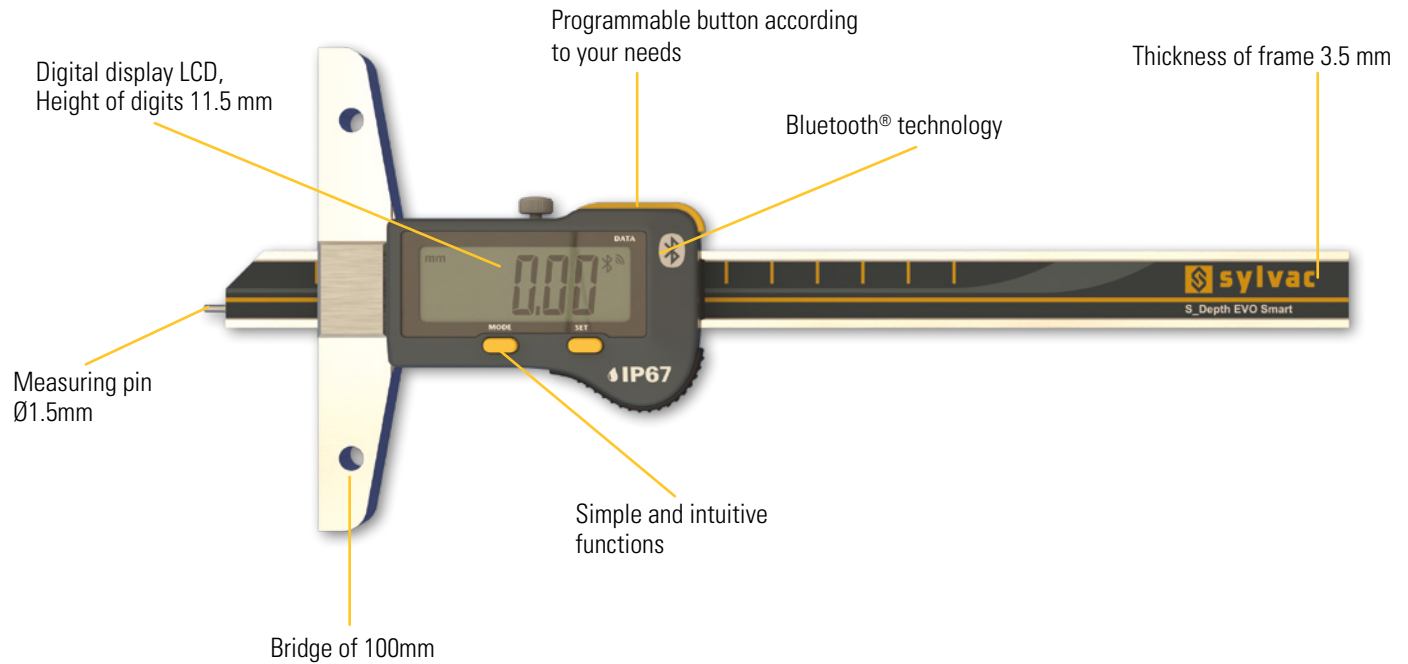
S_Depth EVO Smart

DESCRIPTION

PIN Ø1.5

- High-quality, ergonomic depth gauge with integrated Bluetooth® system
- 100 mm wide bridge with holes for the attachment of an additional wider bridge
- Hardened steel measuring pin Ø 1.5 mm x 5 mm
- 3.5 mm thick hardened and ground stainless steel frame
- New extra-large display unit with 11.5 mm high digits
- Convenient push button for sending data that can also be programmed with another function
- Memorising the home position even when the instrument is switched off
- Measuring range 150, 200 and 300 mm
- Protection class IP67

C



ISO 13385-2



Measuring pin Ø1.5mm

* SIS description on page 5

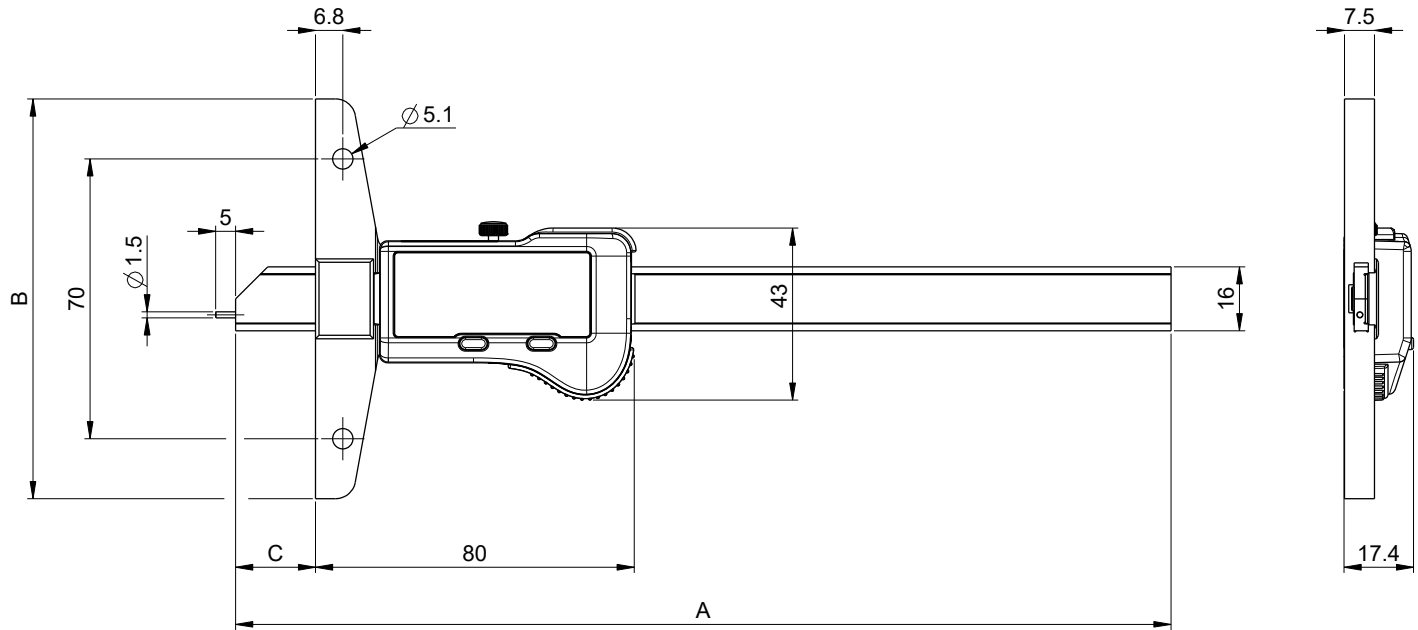


Depth gauge

S_Depth EVO Smart

DIMENSIONAL DRAWING

PIN Ø1.5



TECHNICAL SPECIFICATIONS

		812-1506	812-1526	812-1536
Measuring range	mm	150	200	300
Max. Error	µm	20 ¹⁾	30	30
Resolution	mm		0.01	
A	mm	234	284	384
B - Bridge	mm		100	
C	mm	0-152	0-202	0-302
Frame	mm		16x3.5	
Output data		Bluetooth® wireless technology*		
Functions		Zero setting, Preset (max 999.99), mm/inch, Hold, Data		
Smart Inductive Sensor		●		

¹⁾ > 100 mm : 30 µm / ISO13385-2

* Up to 8 instruments connected per dongle #981-7100



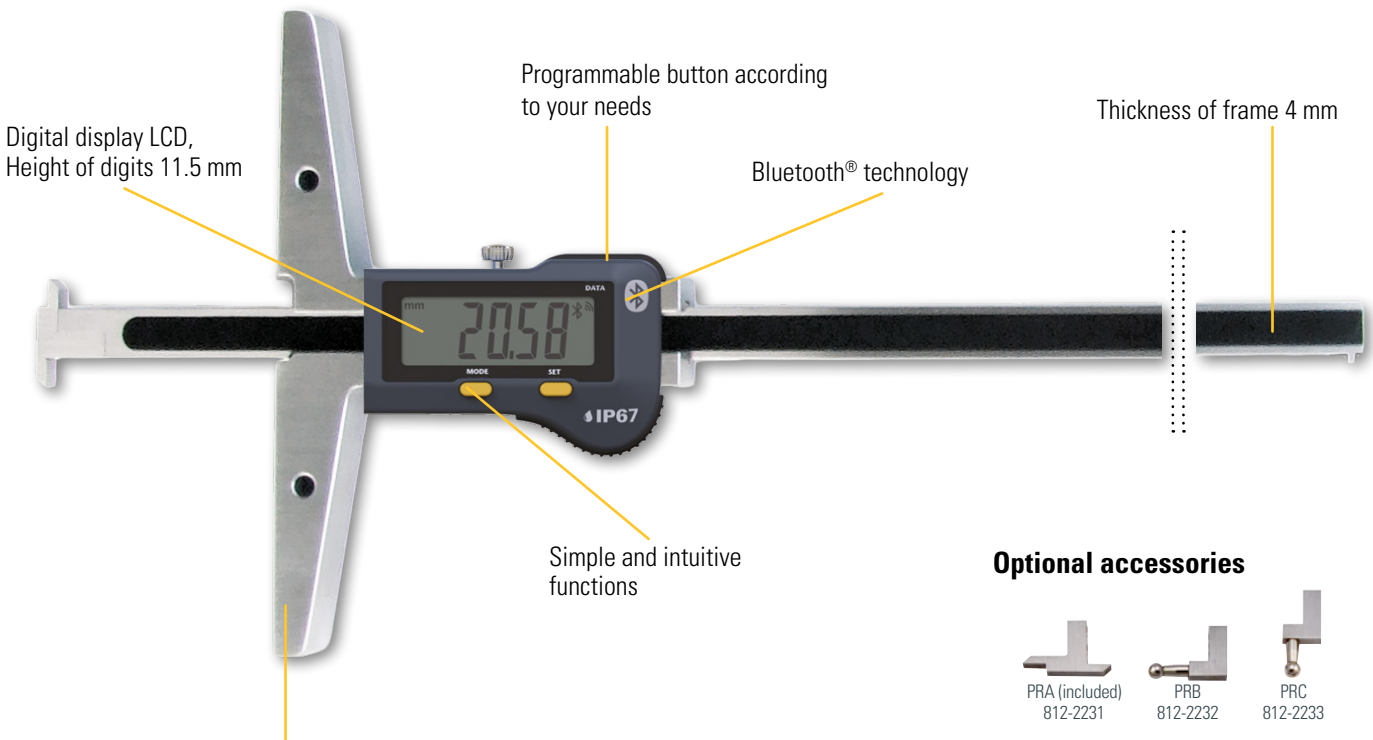
Depth gauge

S_Depth EVO

DESCRIPTION

TWO FIXED MEASURING JAWS

- High-quality, ergonomic depth gauge with integrated Bluetooth® system
- 100 mm wide bridge with holes for the attachment of an additional wider bridge
- Interchangeable Up & Down measuring button
- Numerous other optional keys available for all kinds of measurements
- Hardened and ground stainless steel frame, thickness 4 mm
- New extra-large display unit with 11.5 mm high digits
- Convenient push button for sending data that can also be programmed with another function
- Memorising the home position even when the instrument is switched off
- Measuring range 300, 400 and 600 mm
- Protection class IP67



ISO 13385-2 Bridge of 100mm



IP67

* SIS description on page 5

Optional accessories



Interchangeable anvils

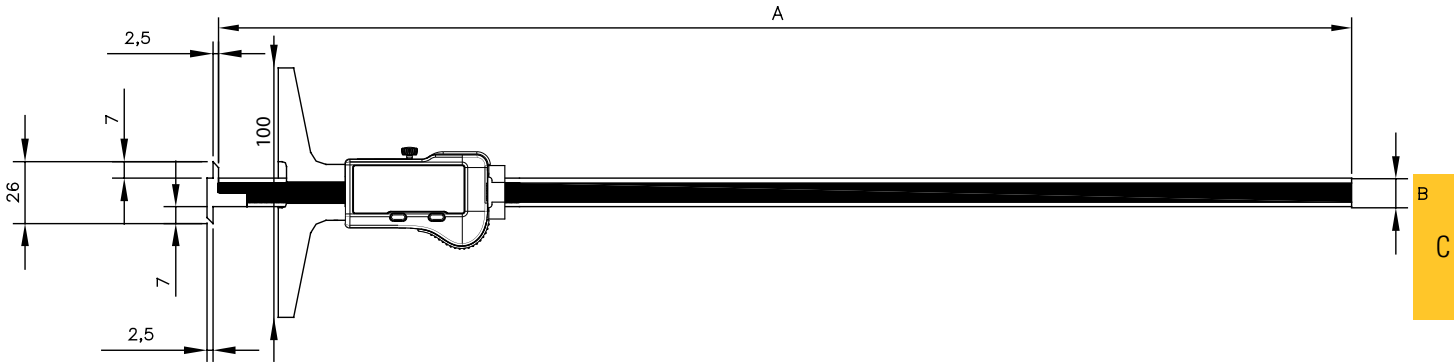


Depth gauge

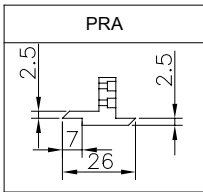
S_Depth EVO

DIMENSIONAL DRAWING

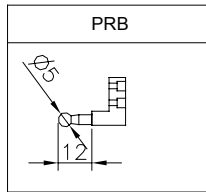
TWO FIXED MEASURING JAWS



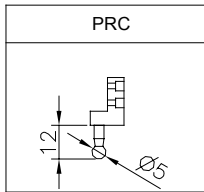
812-2231/812-2237



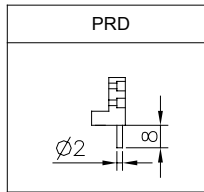
812-2232



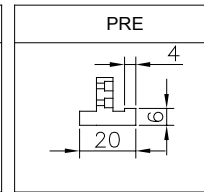
812-2233



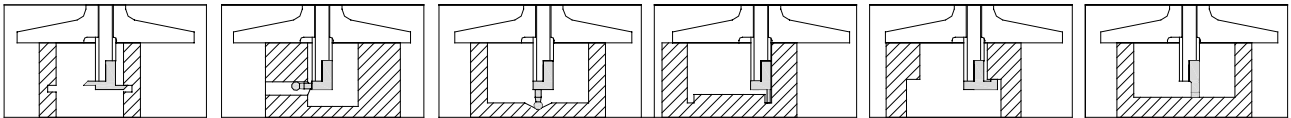
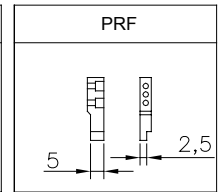
812-2234



812-2235



812-2236



TECHNICAL SPECIFICATIONS

		812-1601	812-1603	812-1605
Measuring range	mm	200	300	500
Max. Error	µm	30	30	50
Resolution	mm	0.01		
A	mm	300	400	600
B	mm	12x4		
Output data		Bluetooth® wireless technology*		
Functions		Zero setting, Preset (max 999.99), mm/inch, Hold, Data		
Smart Inductive Sensor		●		

* Up to 8 instruments connected per dongle #981-7100



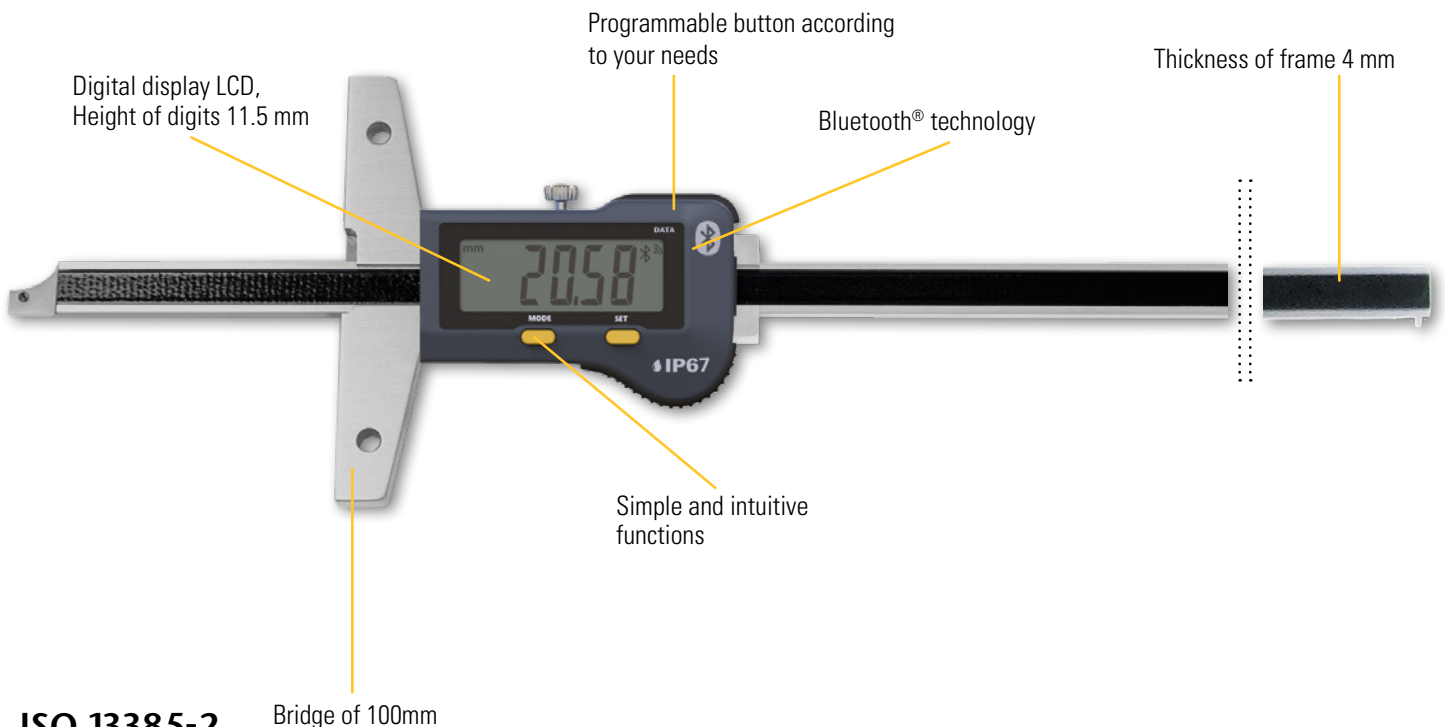
Depth gauge

S_Depth EVO

DESCRIPTION

SHORTCUT MEASURING FACE

- High-quality, ergonomic depth gauge with integrated Bluetooth® system
- 100 mm wide bridge with holes for the attachment of an additional wider bridge
- Short measuring key 5 mm wide
- Hardened and ground stainless steel frame, thickness 4 mm
- New extra-large display unit with 11.5 mm high digits
- Convenient push button for sending data that can also be programmed with another function
- Memorising the home position even when the instrument is switched off
- Measuring range 300, 400 and 600 mm
- Protection class IP67



ISO 13385-2



SIS Smart Inductive System



WATER RESISTANT

IP67

* SIS description on page 5

Bridge of 100mm with clamping screw

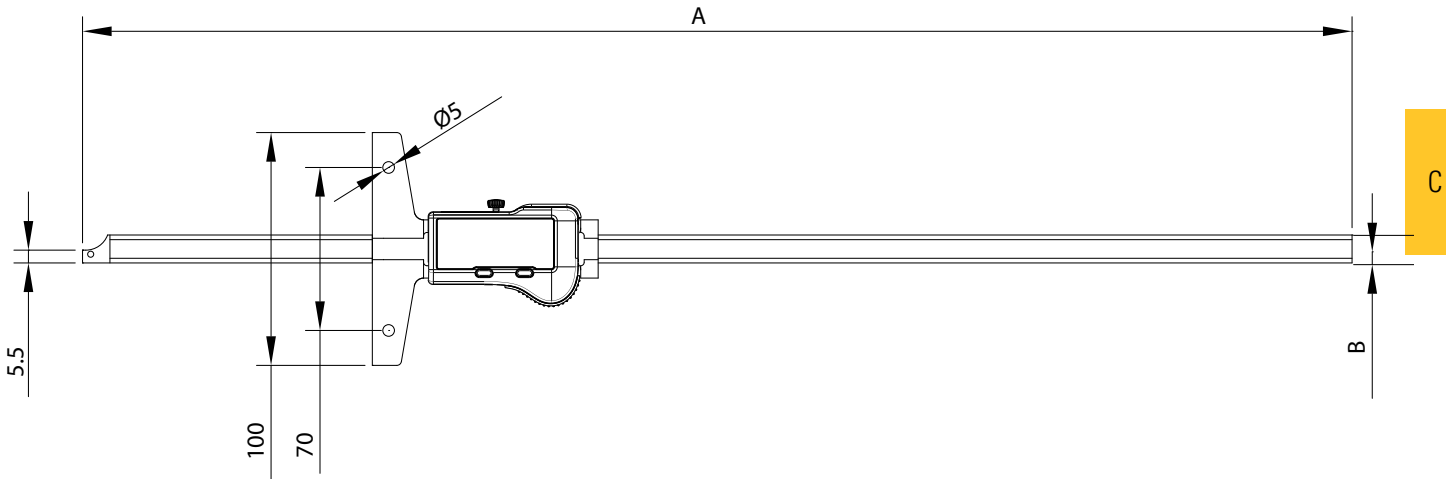


Depth gauge

S_Depth EVO

DIMENSIONAL DRAWING

SHORTCUT MEASURING FACE



TECHNICAL SPECIFICATIONS

		812-1611	812-1613	812-1615
Measuring range	mm	200	300	500
Max. Error	µm	30	30	50
Resolution	mm	0.01		
A	mm	300	400	600
B	mm	12x4		
Output data		Bluetooth® wireless technology*		
Functions		Zero setting, Preset (max 999.99), mm/inch, Hold, Data		
Smart Inductive Sensor		●		

* Up to 8 instruments connected per dongle #981-7100



Depth gauge

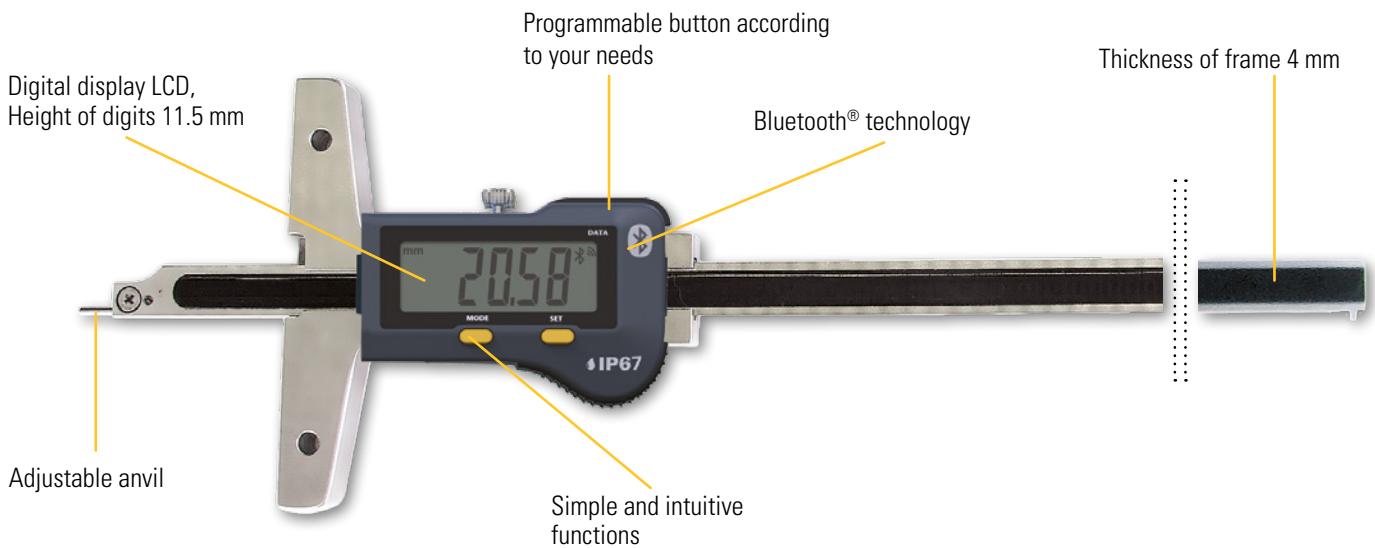
S_Depth EVO

DESCRIPTION

ROTARY PIN

- High-quality, ergonomic depth gauge with integrated Bluetooth® system
- 100 mm wide bridge with holes for the attachment of an additional wider bridge
- Measuring pin Ø 1.5 x 5 mm can be rotated and locked in the desired position by a clamping screw
- Hardened and ground stainless steel frame, thickness 4 mm
- New extra-large display unit with 11.5 mm high digits
- Convenient push button for sending data that can also be programmed with another function
- Memorising the home position even when the instrument is switched off
- Measuring range 300, 400 and 600 mm
- Protection class IP67

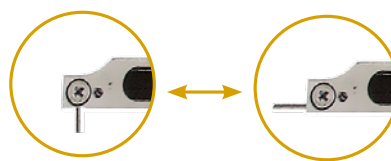
C



ISO 13385-2



* SIS description on page 5



Adjustable anvil !

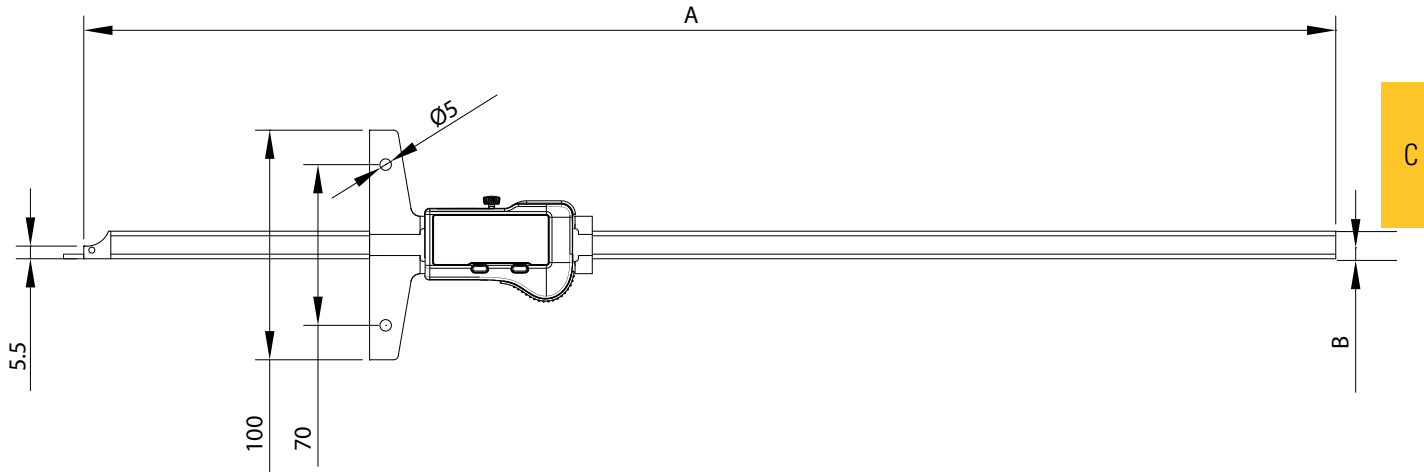


Depth gauge

S_Depth EVO

DIMENSIONAL DRAWING

ROTARY PIN



TECHNICAL SPECIFICATIONS

		812-1621	812-1623	812-1625
Measuring range	mm	200	300	500
Max. Error	µm	30	30	50
Resolution	mm	0.01		
A	mm	300	400	600
B	mm	12x4		
Output data		Bluetooth® wireless technology*		
Functions		Zero setting, Preset (max 999.99), mm/inch, Hold, Data		
Smart Inductive Sensor		●		

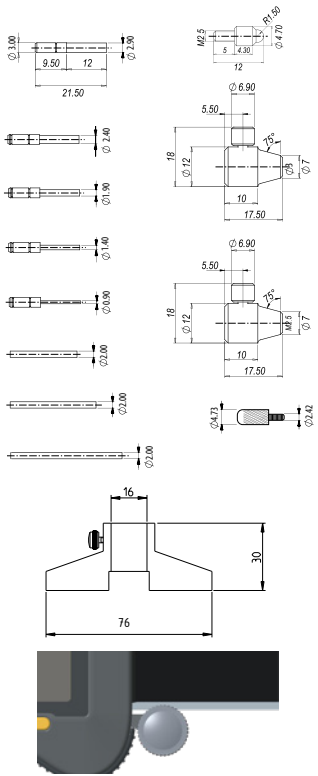
* Up to 8 instruments connected per dongle #981-7100



S_Cal / S_Depth

ACCESSORIES FOR CALIPERS

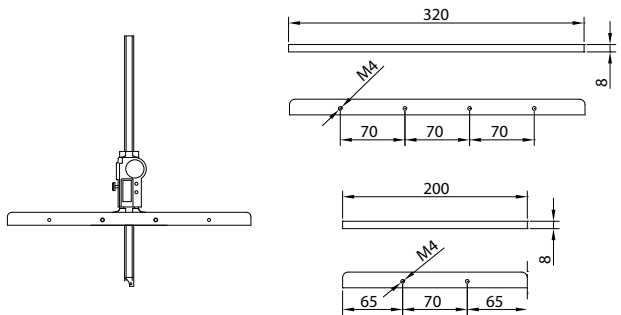
C



		S_Cal EVO Proximity S_Cal EVO Proximity μm	S_Cal EVO Basic	S_Cal EVO Smart S_Cal EVOSmart μm
910-2207	Accessory kit for S_Cal (12 pieces)	●	●	●
910-2205	Base for Depth Measurement	●	●	●
810-2203	Thumb wheel*			●
810-2204			●	
810-2205		●		

See also chapter cables.
* not for mid size models 810-1546, 810-1556, 810-1558

ACCESSORIES FOR SPECIAL DEPTH CALIPER (TJ / SF / RP)



		Length	Thickness
812-2240	Additional base	320	8
812-2241	Additional base	200	8



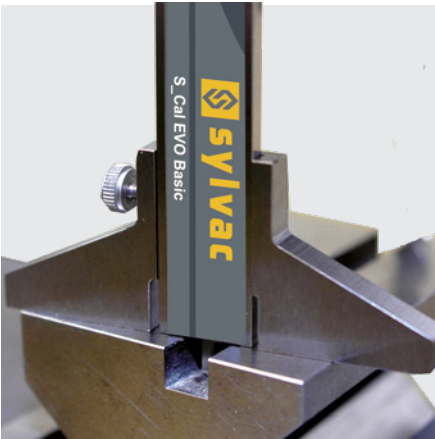
S_Cal / S_Depth

STANDARD DELIVERY

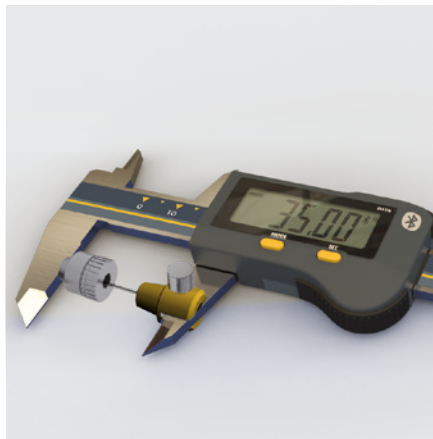
- Instrument according to technical specifications
- Lithium battery CR2032 included
- Instruction manual
- Calibration certificate (S_Cal EVO μm)

APPLICATIONS

C



Depth measurement with S_Cal EVO and base 910-2205.



S_Cal EVO Smart with kit 910-2207
Depth measurement of small internal \varnothing



S_Cal EVO Standard measurement



Part measurement with S_Cal μm



Part measurement with sending data



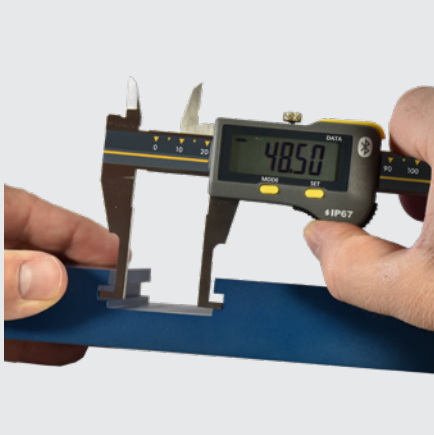
Depth measurement with S_Cal EVO



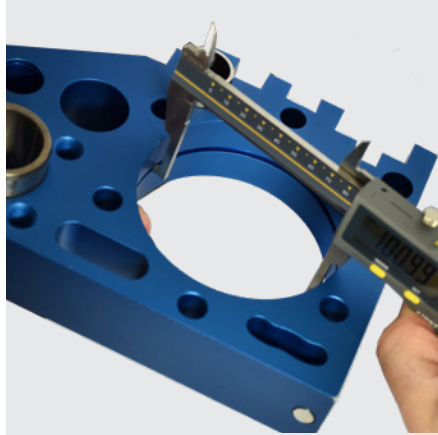
Special S_Cal & S_Depth

APPLICATIONS

C



Internal groove measurement with S_Cal EVO Smart IG



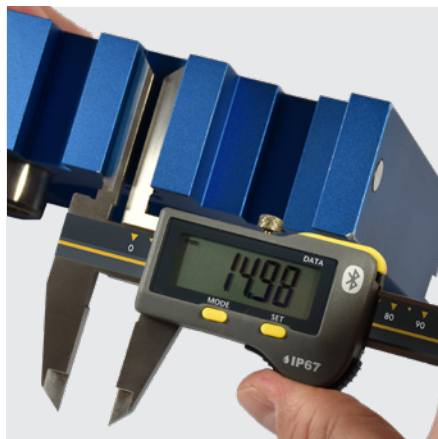
Internal groove measurement with S_Cal EVO Smart IG



Internal measurement with S_Cal EVO Smart PJ



Deep measurement with S_Cal EVO Smart DM



Deep measurement with S_Cal EVO Smart DM



External groove measurement with S_Cal EVO Smart EG



External groove measurement with S_Cal EVO Smart EG



External groove measurement with S_Cal EVO Smart EG



S_Depth EVO Smart TJ communicating with Sylvac Anywhere App on touchpad

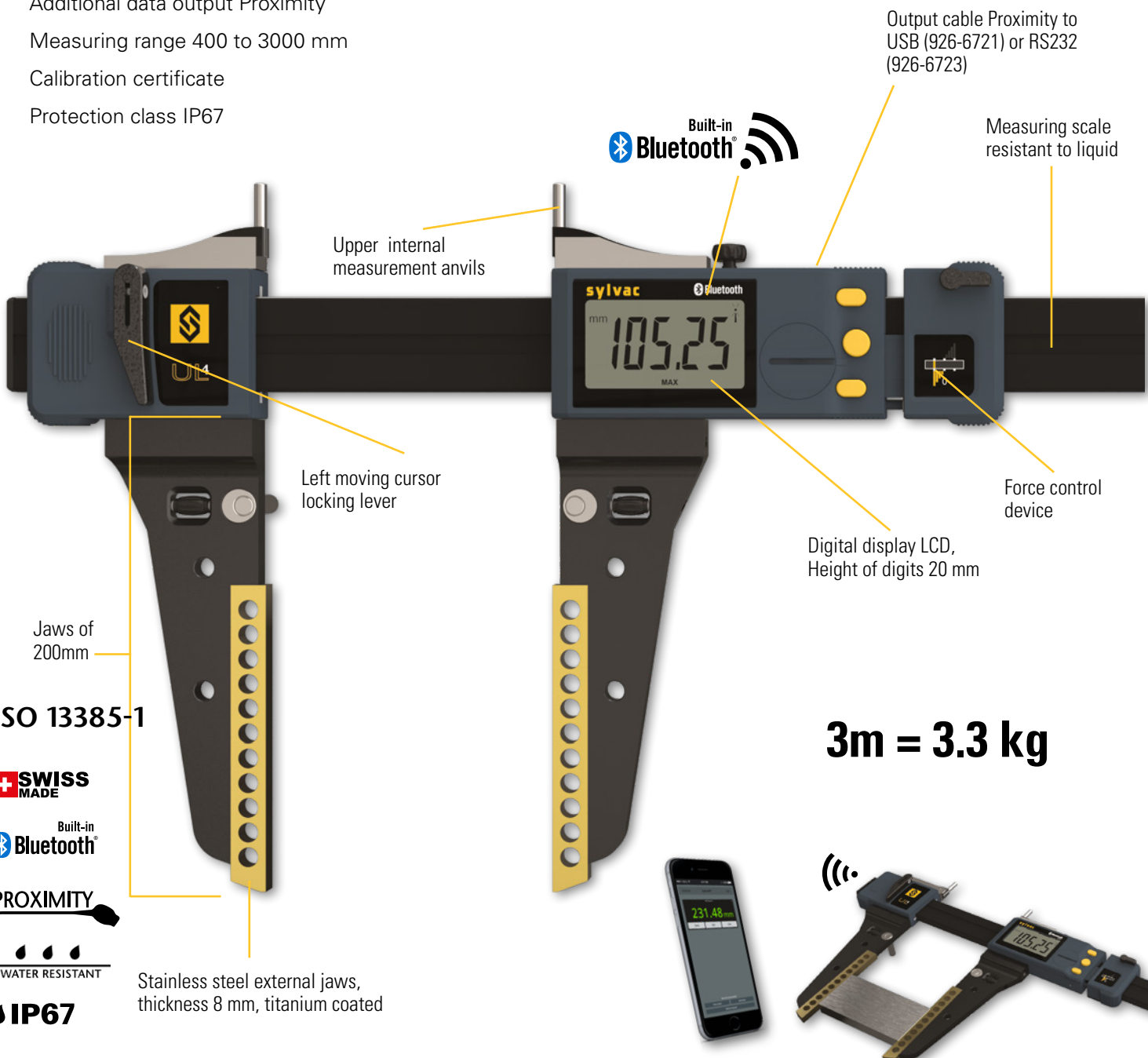


Ultra light caliper

UL4

DESCRIPTION

- Ultra-light, large callipers with integrated Bluetooth® system
- Frame made of special aluminium profile reinforced with 4 stainless steel guide rods
- New XXL display unit with digits 20 mm high
- Three buttons, including the central button with selectable favourite function
- Measuring force control device
- Long outer jaws 200 mm with measuring part made of hardened steel 124 x 8 mm coated with titanium nitride (TiN)
- On request, our UL4 callipers with jaws up to 400 mm long are available (please specify when ordering).
- Lever-lockable movable left jaw
- Removable upper studs with hardened metal pin Ø 5 mm for internal measurements
- Additional data output Proximity
- Measuring range 400 to 3000 mm
- Calibration certificate
- Protection class IP67



C

ISO 13385-1

SWISS MADE

Built-in **Bluetooth**

PROXIMITY

WATER RESISTANT

IP67

Stainless steel external jaws, thickness 8 mm, titanium coated

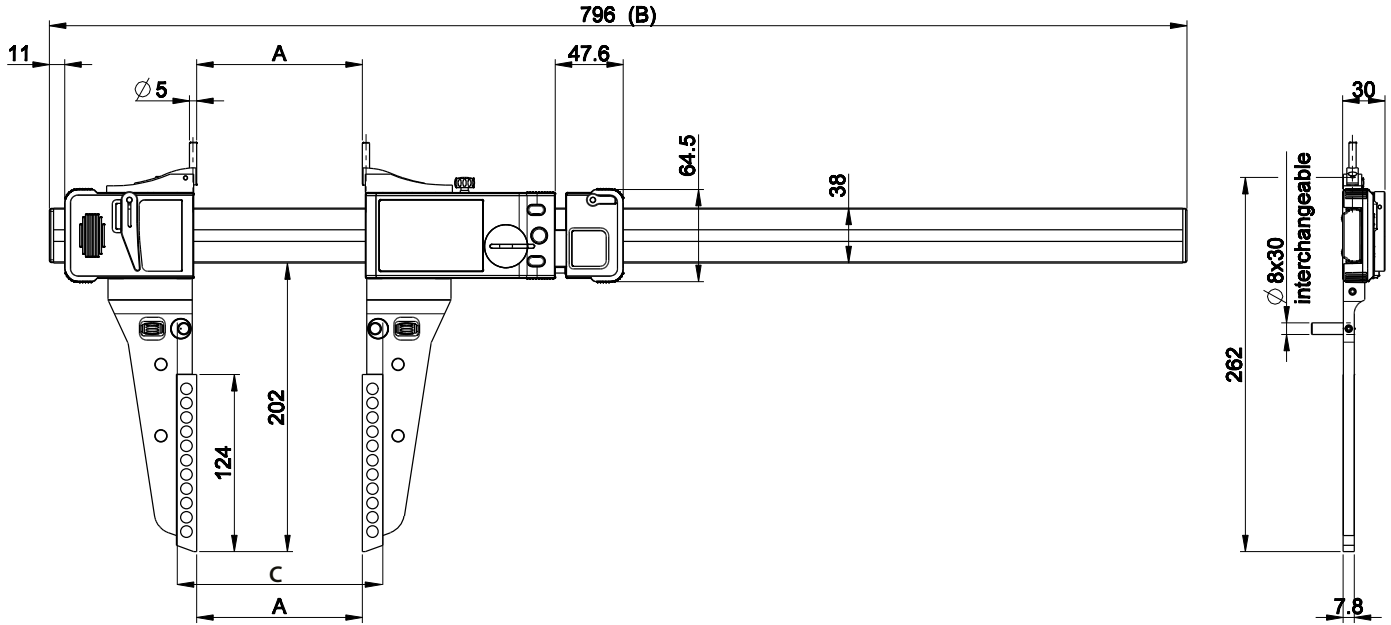
3m = 3.3 kg



Ultra light caliper

UL4

DIMENSIONAL DRAWING



TECHNICAL SPECIFICATIONS

		811-1404	811-1406	811-1410	811-1415	811-1420	811-1425	811-1430
Model	mm	400	600	1000	1500	2000	2500	3000
Max. Error	µm	30	40	50	90	120	150	200
Repeatability	µm	20			30			
Resolution	mm	0.01						
A	mm	0-478	0-683	0-1093	0-1608	0-2123	0-2638	0-3153
C	mm	27-505	27-710	27-1110	27-1635	27-2150	27-2665	27-3180
B	mm	796	1001	1411	1926	2441	2956	3471
Measuring Force	N	7.5 - 11.5 (±20%)						
Output data		Bluetooth® wireless technology* / RS232 / USB						
IP67 Protection		●						
Preset max.		±9999.99 mm / ±399.9995 IN						
Weight	kg	1.5	1.6	1.9	2.3	2.6	2.9	3.3
Setting by PC		●						
2 references		●						
Min/Max function		●						
Tolerance limit indicators		●						

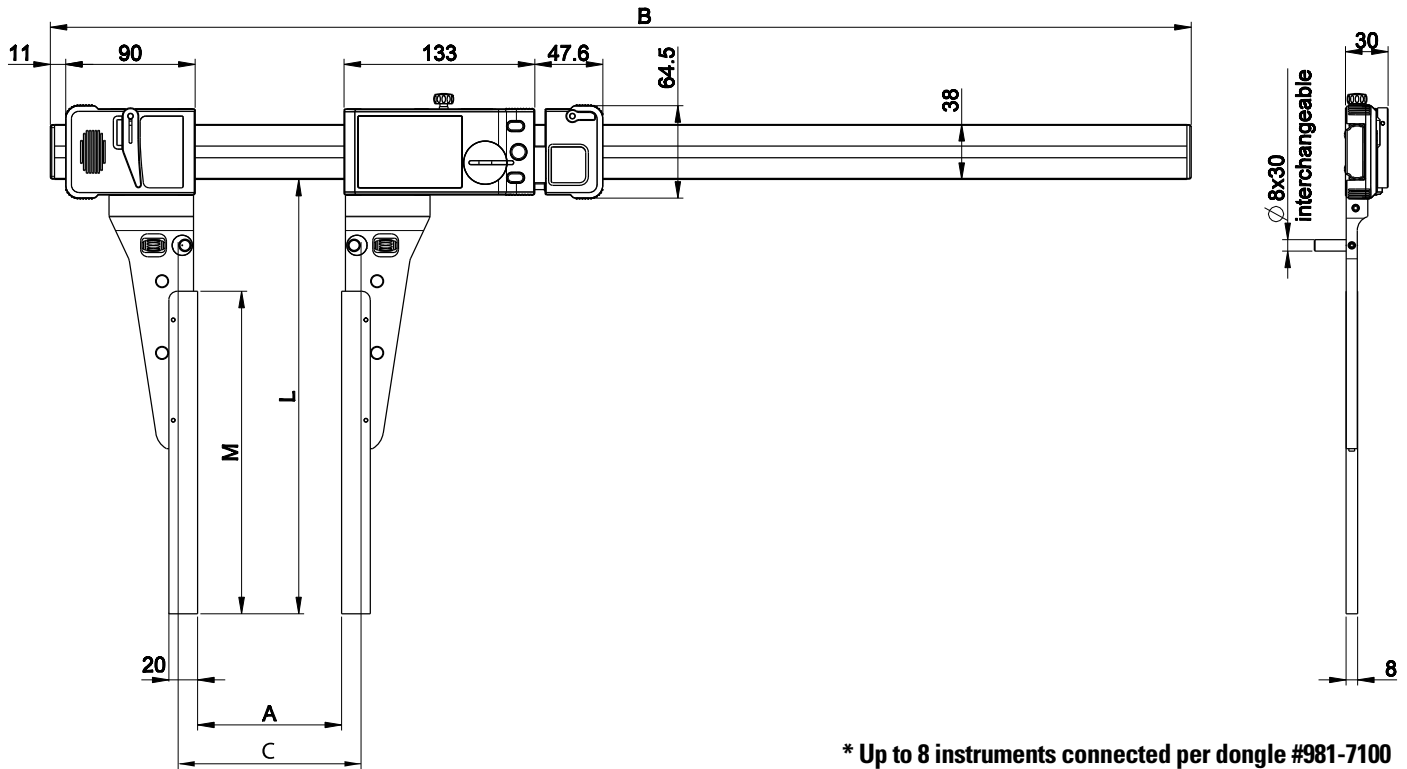
* Up to 8 instruments connected per dongle #981-7100



Ultra light caliper

UL4

SPECIAL EXECUTIONS | SPECIAL JAWS TYPE A



* Up to 8 instruments connected per dongle #981-7100
More informations on How to use Bluetooth® leaflet SYL_1401_EN_BT

TECHNICAL SPECIFICATIONS

		811-2316-99	811-2317-99
Special jaws (pair)		Length L to specify with order (max 400 mm)	
L	mm	≤ 300	≤ 400
M	mm	L - 75	

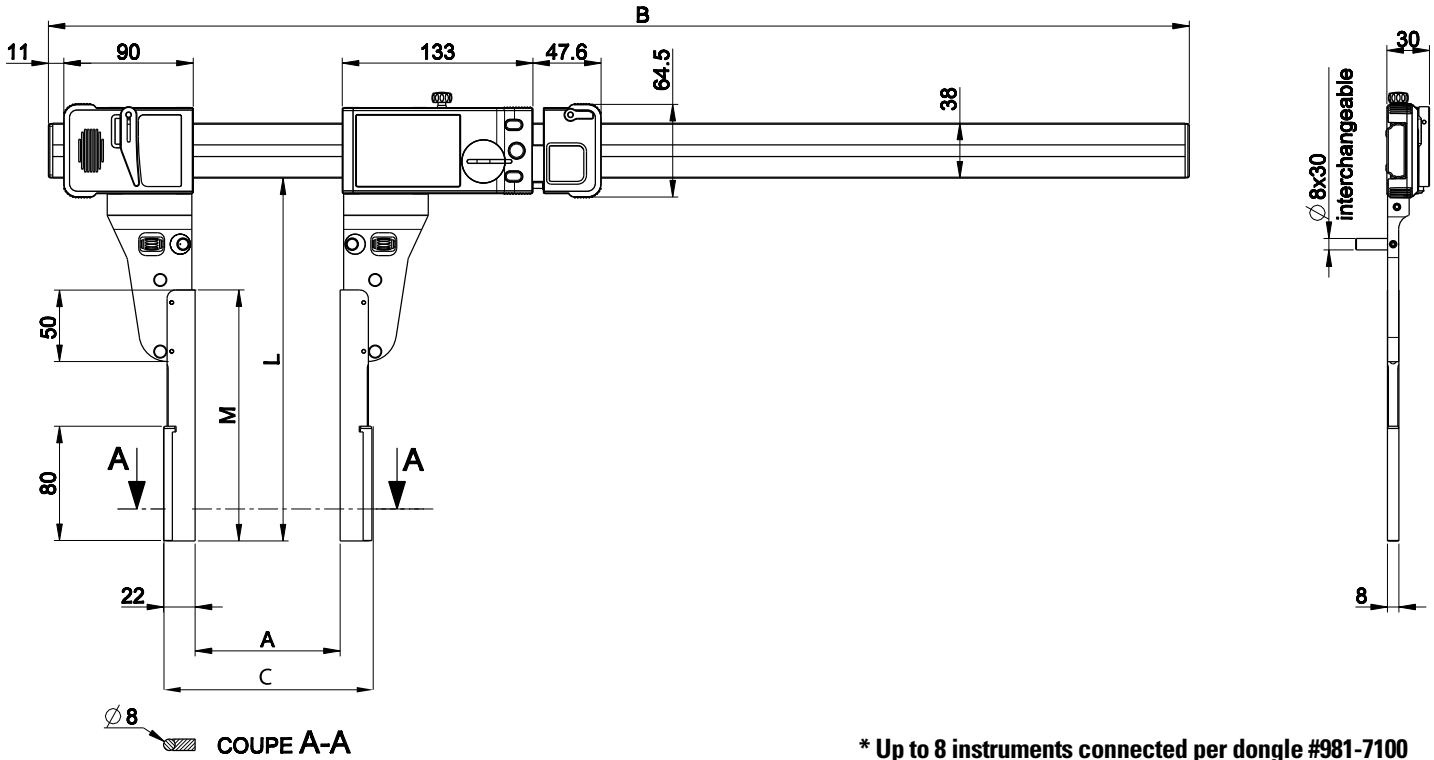
		UL 400	UL 600	UL 1000	UL 1500	UL 2000	UL 2500	UL 3000
UL specification		Max. error. [µm] / Repeatability [µm]						
With Jaws 811-2316-99		40/20	50/20	70/20	130/30	180/40	220/40	320/40
With Jaws 811-2317-99		70/40	80/40	120/40	200/50	300/60	400/70	500/80
Measuring range	mm	400	600	1000	1500	2000	2500	3000
A	mm	0-478	0-683	0-1093	0-1608	0-2123	0-2638	0-3153
C	mm	27-505	27-710	27-1110	27-1635	27-2150	27-2665	27-3180
B	mm	796	1001	1411	1926	2441	2956	3471
Resolution	mm	0.01						



Ultra light caliper

UL4

SPECIAL EXECUTIONS | SPECIAL JAWS TYPE C



* Up to 8 instruments connected per dongle #981-7100

TECHNICAL SPECIFICATIONS

			811-2319-99
Special jaws (pair)			Lenght L to specify with order (max 300 mm)
L max	mm		300
M	mm		L - 75

		UL 400	UL 600	UL 1000	UL 1500	UL 2000	UL 2500	UL 3000
UL specification		Max. error. [µm] / Repeatability [µm]						
With Jaws ≤ 200	mm	40/20	50/20	70/30	120/30	170/30	210/30	300/40
With Jaws ≤ 300	mm	50/30	60/30	90/30	150/30	200/40	300/40	400/50
Measuring range	mm	400	600	1000	1500	2000	2500	3000
A	mm	0-478	0-683	0-1093	0-1608	0-2123	0-2638	0-3153
C	mm	44-522	44-727	44-1137	44-1652	44-2167	44-2682	44-3197
B	mm	796	1001	1411	1926	2441	2956	3471
Resolution	mm	0.01						

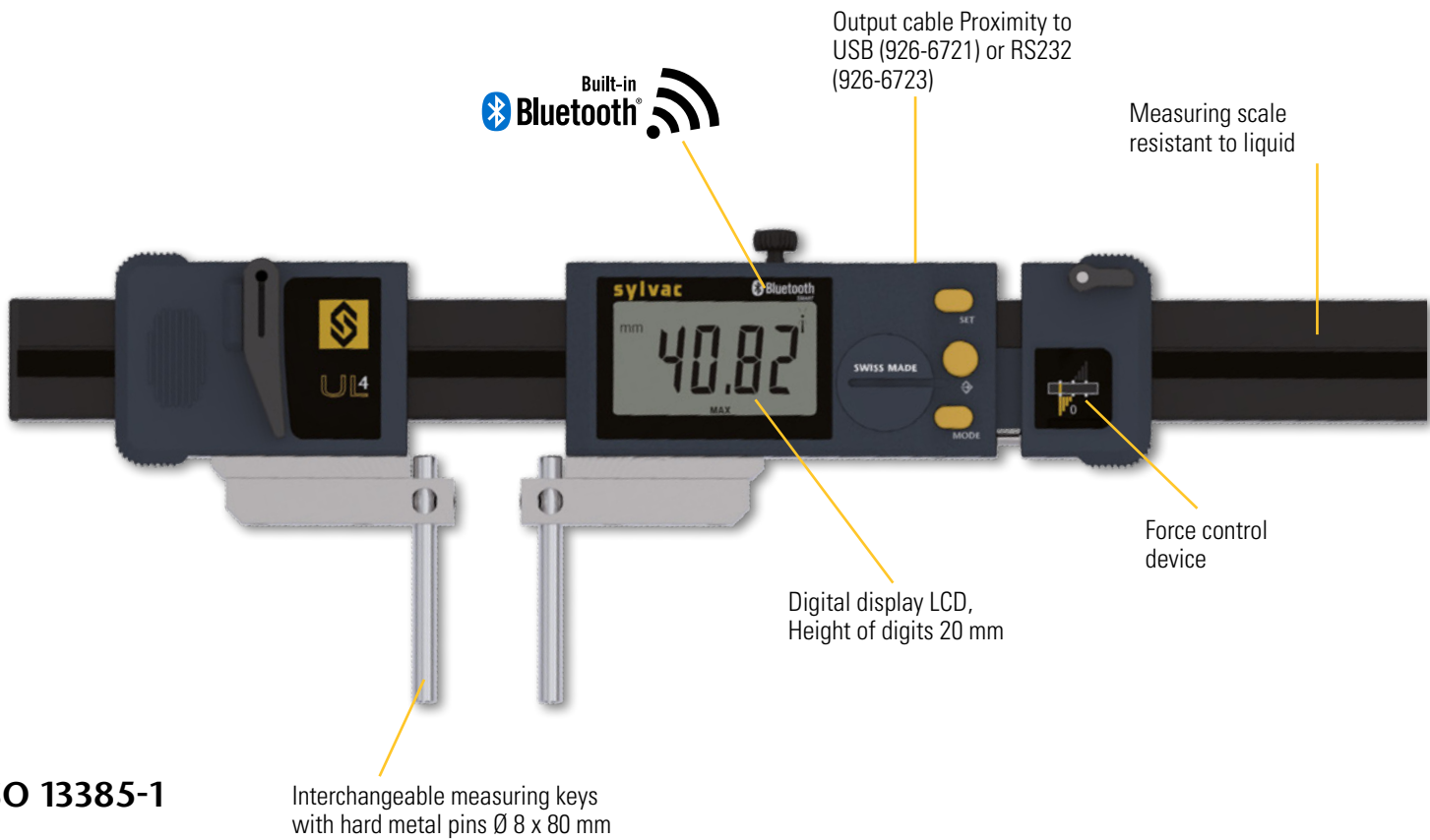
Ultra light caliper

ULH4

DESCRIPTION

- Ultra-light, large universal instrument with integrated Bluetooth® system
- Frame made of special aluminium profile reinforced with 4 stainless steel guide rods
- New XXL display unit with digits 20 mm high
- Three buttons, including the central button with selectable favourite function
- Measuring force control device
- Supplied with interchangeable measuring keys with hard metal pins Ø 8 x 80 mm
- Numerous other measuring keys available as options
- Lever-lockable movable left jaw
- Additional data output Proximity
- Measuring range 400 to 3000 mm
- Protection class IP67

C



ISO 13385-1

SWISS MADE

Built-in Bluetooth®

PROXIMITY

WATER RESISTANT

IP67

Interchangeable keys

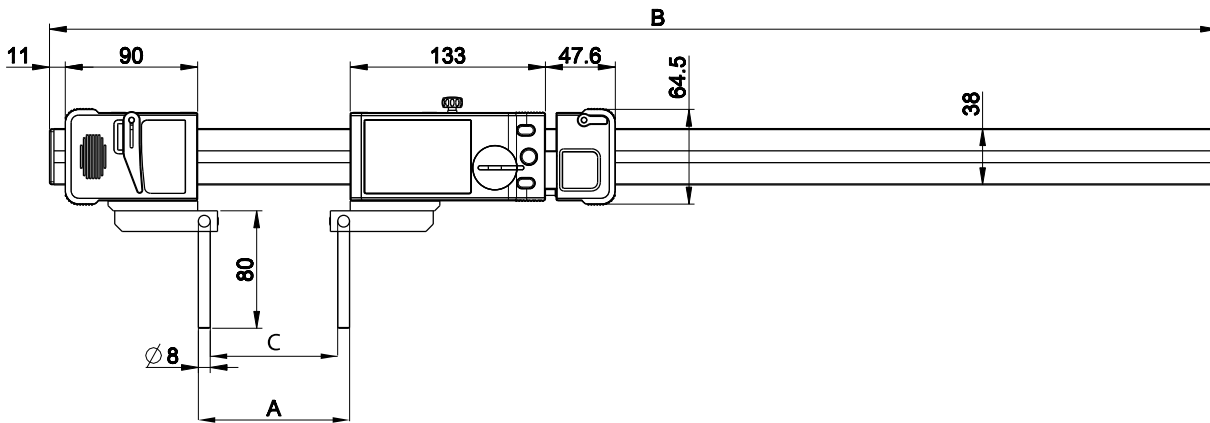




Ultra light caliper

UL H4

DIMENSIONAL DRAWING



TECHNICAL SPECIFICATIONS

		811-8040	811-8060	811-8100	811-8150	811-8200	811-8250	811-8300	
Model	mm	400	600	1000	1500	2000	2500	3000	
Max. Error	μm	30	40	50	90	120	150	200	
Repeatability	μm	20				30			
Resolution	mm	0.01							
A	mm	26-480	26-685	26-1095	26-1610	26-2125	26-2640	26-3155	
C	mm	10-464	10-669	10-1079	10-1594	10-2109	10-2624	10-3139	
B	mm	796	1001	1411	1926	2441	2956	3471	
Measuring Force	N	7.5 - 11.5 ($\pm 20\%$)							
Output data		Bluetooth® wireless technology* / RS232 / USB							
IP67 Protection		●							
Preset max.		± 9999.99 mm / ± 399.9995 IN							
Weight	kg	1.1	1.2	1.5	1.9	2.2	2.5	2.9	
Setting by PC		●							
2 references		●							
Min/Max function		●							
Tolerance limit indicators		●							

* Up to 8 instruments connected per dongle #981-7100



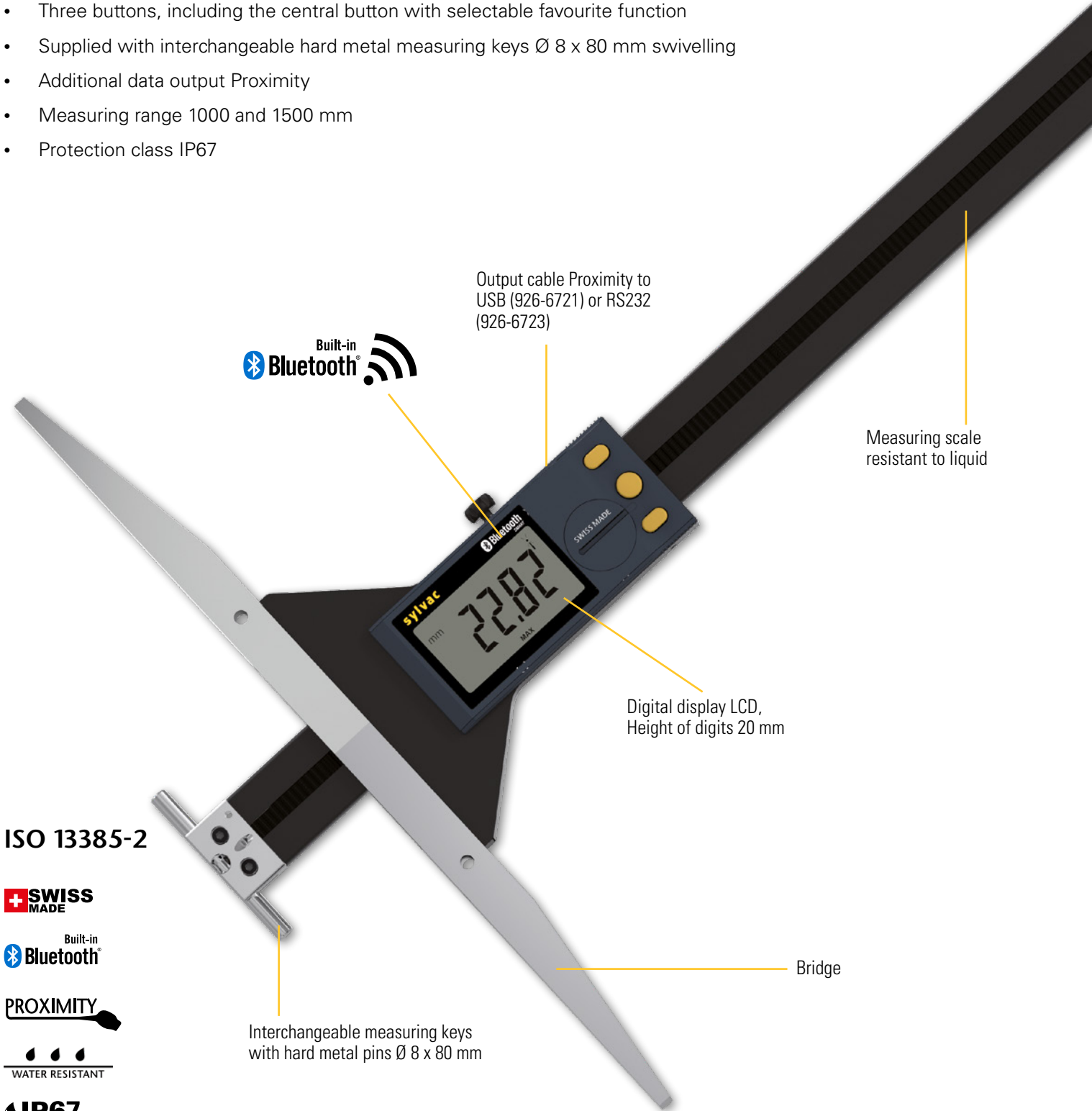
Ultra light depth gauge

UL V4

DESCRIPTION

- Large, ultra-lightweight depth gauge with integrated Bluetooth® system
- Frame made of special aluminium profile reinforced with 4 stainless steel guide rods
- Bridge width 400/600 mm with holes for the attachment of an additional wider bridge
- New XXL display unit with digits 20 mm high
- Three buttons, including the central button with selectable favourite function
- Supplied with interchangeable hard metal measuring keys Ø 8 x 80 mm swivelling
- Additional data output Proximity
- Measuring range 1000 and 1500 mm
- Protection class IP67

C



Output cable Proximity to USB (926-6721) or RS232 (926-6723)



Measuring scale resistant to liquid

Digital display LCD, Height of digits 20 mm

ISO 13385-2



Interchangeable measuring keys with hard metal pins Ø 8 x 80 mm

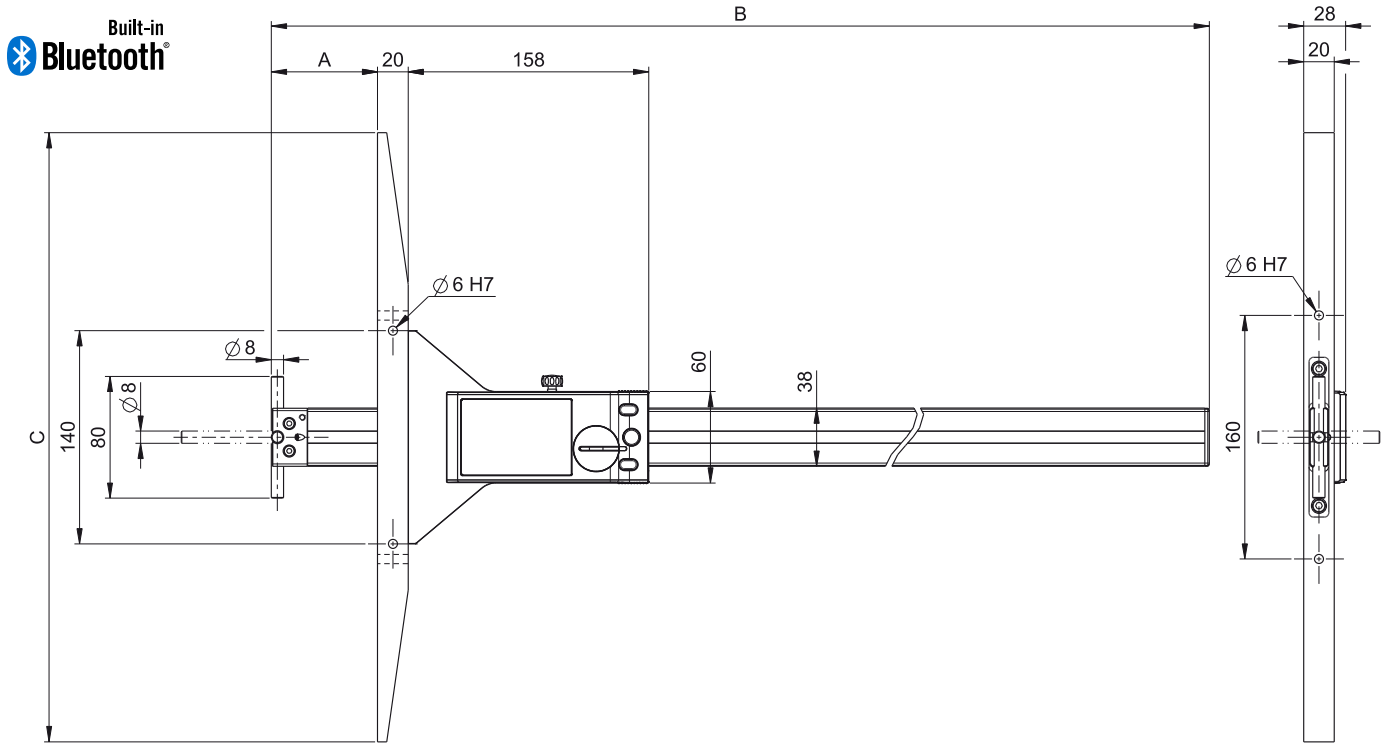
Bridge



Ultra light depth gauge

UL V4

DIMENSIONAL DRAWING



TECHNICAL SPECIFICATIONS

		811-6100	811-6150
Model	mm	1000	1500
Max.Error	µm	100	130
Repeatability	µm	20	
Resolution	mm	0.01	
A	mm	0 - 1030	0 - 1545
C	mm	400	600
B	mm	1242	1757
Output data		Bluetooth® wireless technology* / RS232 / USB	
IP67 Protection		●	
Preset max.		±9999.99 mm / ±399.9995 IN	
Weight	kg	2.2	3.16
Setting by PC		●	
2 references		●	
Min/Max function		●	
Tolerance limit indicators		●	

*** Up to 8 instruments connected per dongle #981-7100**



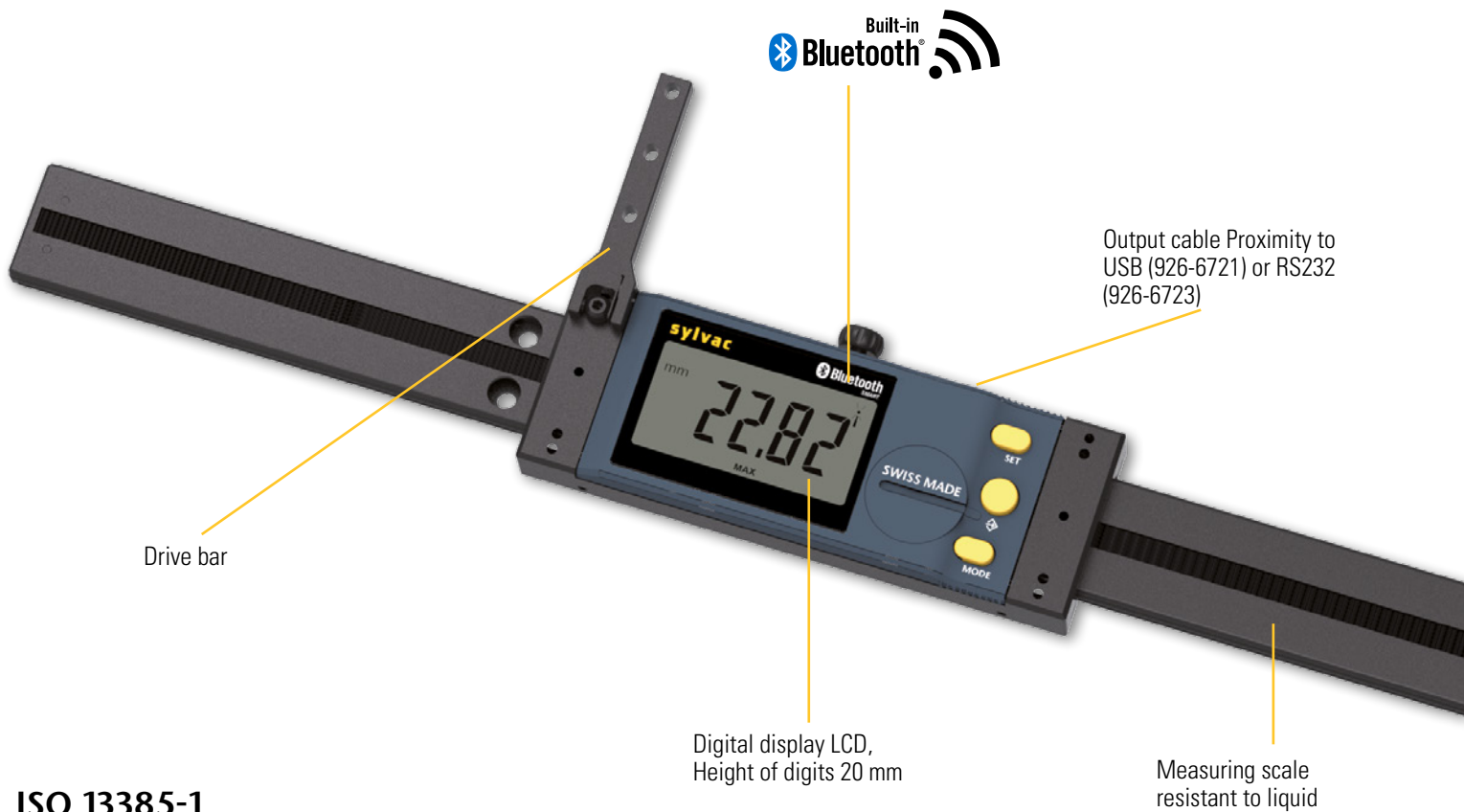
Ultra light digital scale

UL D4

DESCRIPTION

- Ultra-light, large linear ruler with integrated Bluetooth® system
- Frame made of special aluminium profile reinforced with 4 stainless steel guide rods with fixing holes
- New XXL display unit with digits 20 mm high
- Three buttons, including the central button with selectable favourite function
- Supplied with a drive bar that can be positioned at the top or bottom of the display.
- Additional data output Proximity
- Measuring range 1000 and 3000 mm
- On request, several rulers can be joined together to increase the measuring range.
- Protection class IP67

C



ISO 13385-1

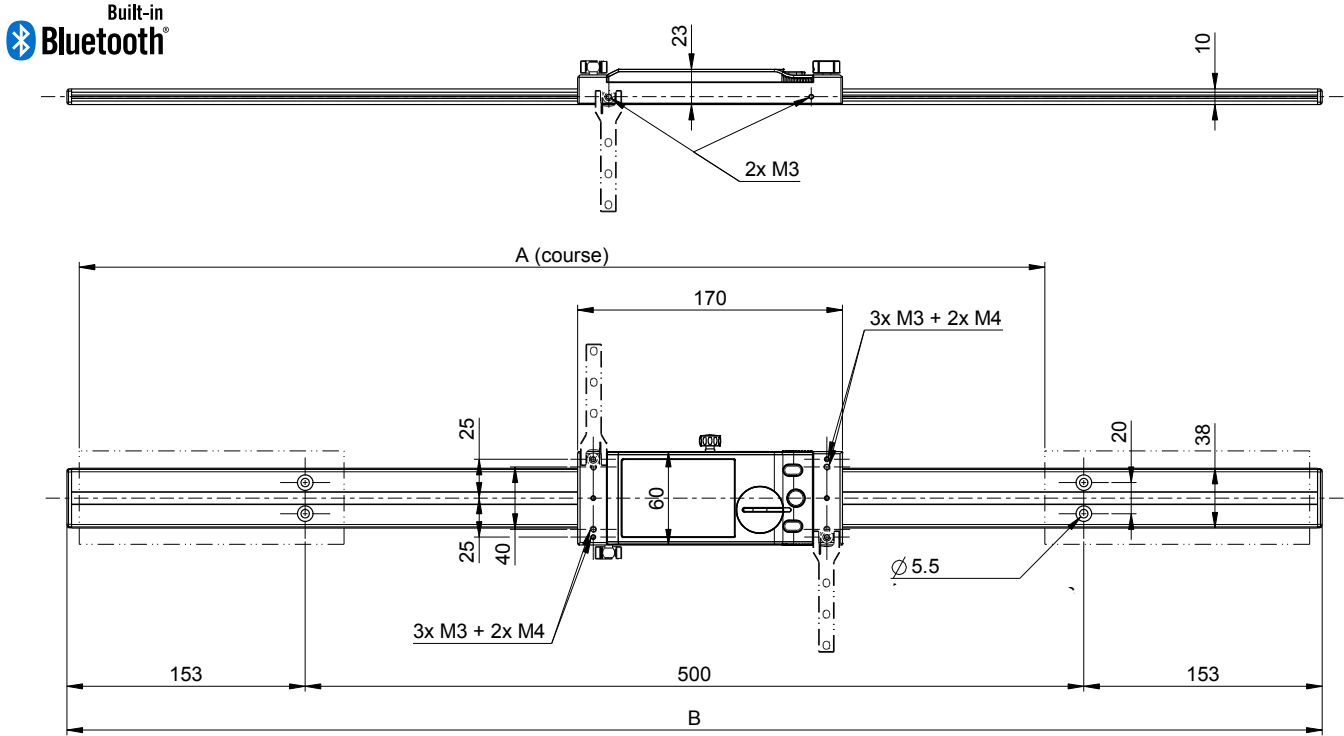




Ultra light digital scale

UL D4

DIMENSIONAL DRAWING



TECHNICAL SPECIFICATIONS

		814-1510	814-1515	814-1520	814-1525	814-1530
Model	mm	1000	1500	2000	2500	3000
Max. Error	µm	60	90	120	150	200
Repeatability	µm	20				
Resolution	mm	0.01				
A	mm	0 - 1120	0 - 1620	0 - 2120	0 - 2620	0 - 3120
B	mm	1306	1806	2306	2806	3306
Number range of raws		3	4	5	6	7
Output data		Bluetooth® wireless technology* / RS232 / USB				
IP67 Protection		●				
Preset max.		±9999.99 mm / ±399.9995 IN				
Weight	kg	1.2	1.5	1.8	2.2	2.5
Setting by PC		●				
2 references		●				
Min/Max function		●				
Tolerance limit indicators		●				

* Up to 8 instruments connected per dongle #981-7100

C

Ultra light caliper

UL4

STANDARD DELIVERY

C



UL4 Standard

- Instrument according to technical specifications
- Lithium battery CR2477 included
- Calibration certificate for UL up to 3000mm
- Upper internal measurement anvil (811-2323 - 2pcs)
- Universal base 811-2301
- Instruction manual



UL4 Special Jaws Type A

- Instrument according to technical specifications
- Lithium battery CR2477 included
- Special long jaws Type A (811-2316-99 or 811-2317-99)
- Length of jaws to specify when order (max. 400mm)
- Instruction manual



UL4 Special Jaws Type C

- Instrument according to technical specifications
- Lithium battery CR2477 included
- Special long jaws Type C (811-2319-99)
- Length of jaws to specify when order (max. 300mm)
- Instruction manual



Ultra light caliper

STANDARD DELIVERY



ULH4

- Instrument according to technical specifications
- Lithium battery CR2477 included
- Calibration certificate for UL up to 3000mm
- Universal base 811-2301
- Anvil holder 811-2302
- Long cylindrical anvil $\varnothing 8 \times 80$ mm (811-2324)
- Instruction manual



ULV4

- Instrument according to technical specifications
- Lithium battery CR2477 included
- Long cylindrical anvil $\varnothing 8 \times 80$ mm (811-2324)
- Bridge 400mm or 600mm
- Instruction manual



ULD4

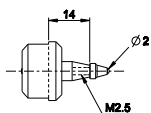
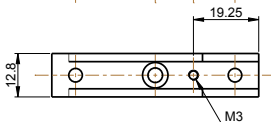
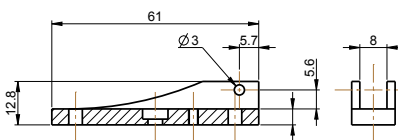
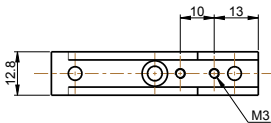
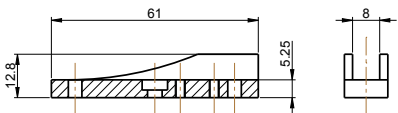
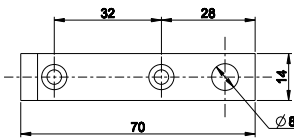
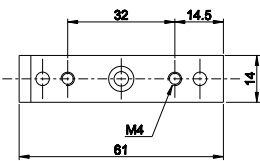
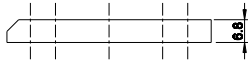
- Instrument according to technical specifications
- Lithium battery CR2477 included
- Driving shaft
- Instruction manual



Ultra light caliper

ACCESSORIES

C



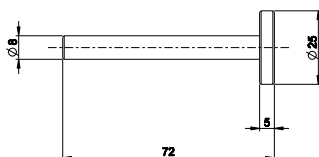
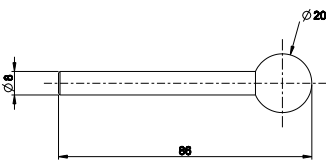
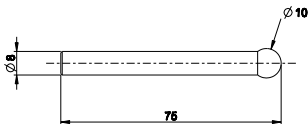
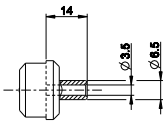
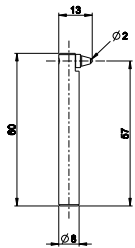
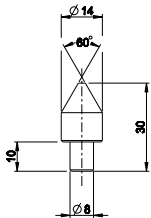
		UL4	ULH4	ULV4	ULD4
811-2301	Universal base (2 pieces)	●	●		
811-2302	Ø8 Anvil holder (2 pieces, to combine with 811-2301)	●	●		
811-2303	Accessories holder (2 different pieces)	●	●		
811-2305	Support with int. thread M 2.5 (2 pieces)	●			

See also cables chapter



Ultra light caliper

ACCESSORIES



		UL4	UL H4	ULV4	UL D4
811-2307	Inserts in hardened steel, cone 60° for bore clearance measurement > 10 mm, (2 pieces)	●	●		
811-2309	Holder for dial gauge contact points for internal groove measurement, (2 pieces)	●	●		
811-2304	Thread anvils holders (2 pieces)	●			
811-2310	Anvil Ø10mm (2 pieces)	●	●		
811-2311	Anvil Ø20mm (2 pieces)	●	●		
811-2312	Anvil Ø25x5mm (2 pieces)	●	●		
811-6306	Wooden box for UL4 400 and 600mm	●	●		
811-6310	Wooden box for UL4 1000mm	●	●		
811-6315	Wooden box for UL4 1500mm	●	●		

C

See also cables chapter



Ultra light caliper

ACCESSORIES

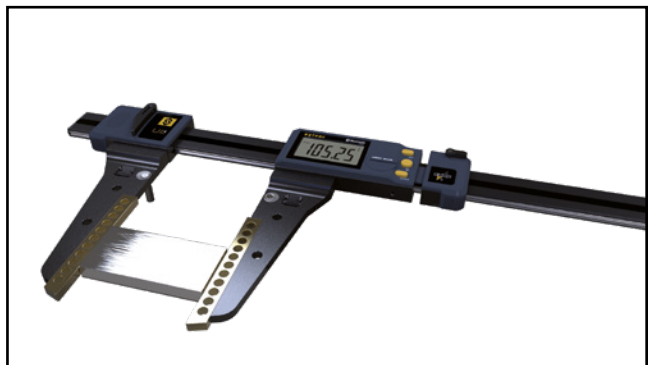


		UL4	UL H4	ULV4	UL D4
811-2321	Lower plate for internal anvil (2 pieces) (for Bowers Unical's «L anvils»)	●	●		
811-2322	Lower internal anvil (2 pieces)	●	●		
811-2323	Upper internal measurement anvil (2 pieces)* (to combine with 811.2303)	●	●		
811-2324	Long cylindrical anvil Ø8x80mm (2 pieces) (to combine with 811-2302 & 811-2301)	●	●		
811-2325	Cylindrical anvil Ø8x30mm (2 pieces)	●	●		

APPLICATIONS



Internal measure with UL4



External measure with UL4

