

MICROMETERS

Historically, the micrometric screw was invented by William Gascoigne in the 17th century and it was Jean-Laurent Palmer who applied the principle to the measurement of small distances in 1848. Another classic length-measuring instrument, the micrometer provides greater precision than the caliper. Whereas a drum lathe generally represents a spindle displacement of 0.5 mm, Sylvac had the brilliant idea of developing revolutionary fast-feed micrometers in various versions, which can be discovered in this chapter.

GENERAL CHARACTERISTICS :

- **Accuracy according to DIN 863**
- **Powered by lithium battery type CR2032**
- **Absolute measuring system S.I.S**
- **Automatic sleep and wake-up**
- **mm/inch conversion on all models**
- **Working temperature +5° to +40°C**



Professional micrometer

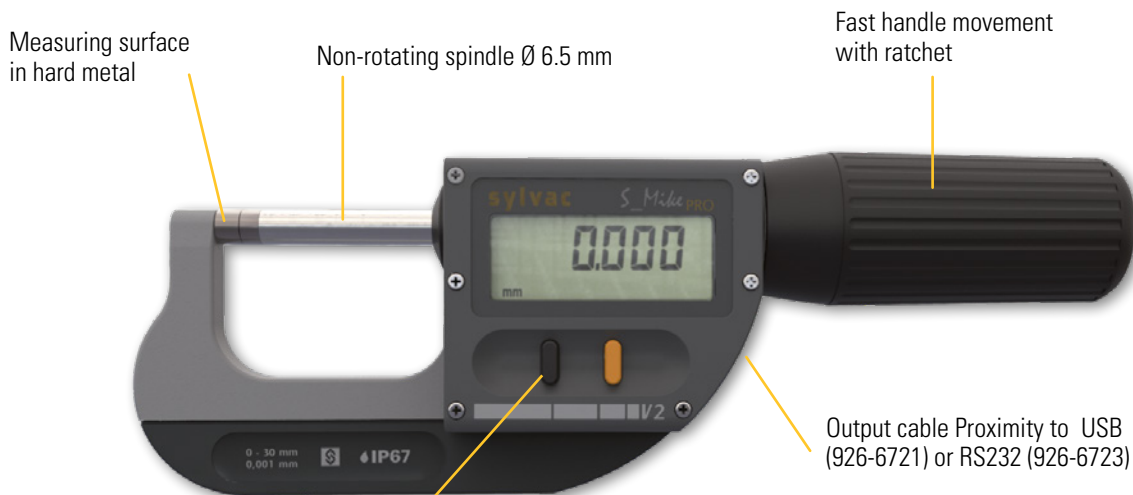
S_Mike PRO

DESCRIPTION

CYLINDRICAL Ø6.5

- High-speed micrometer with non-rotating spindle
- Linear spindle feed 10 mm per revolution
- Measuring range greater than traditional micrometers
- Tungsten carbide measuring anvils Ø 6.5 mm
- Display resolution 0.001 mm
- Ratchet system cancels operator influence and guarantees excellent repeatability
- Switchable measuring force 5 or 10 N for the 0-30 mm model
- Proximity data output
- Measuring range up to 161 mm
- Protection class IP67

D



Simple and friendly functions



DIN 863

PROXIMITY

SIS Smart Inductive System

WATER RESISTANT

IP67

SWISS MADE

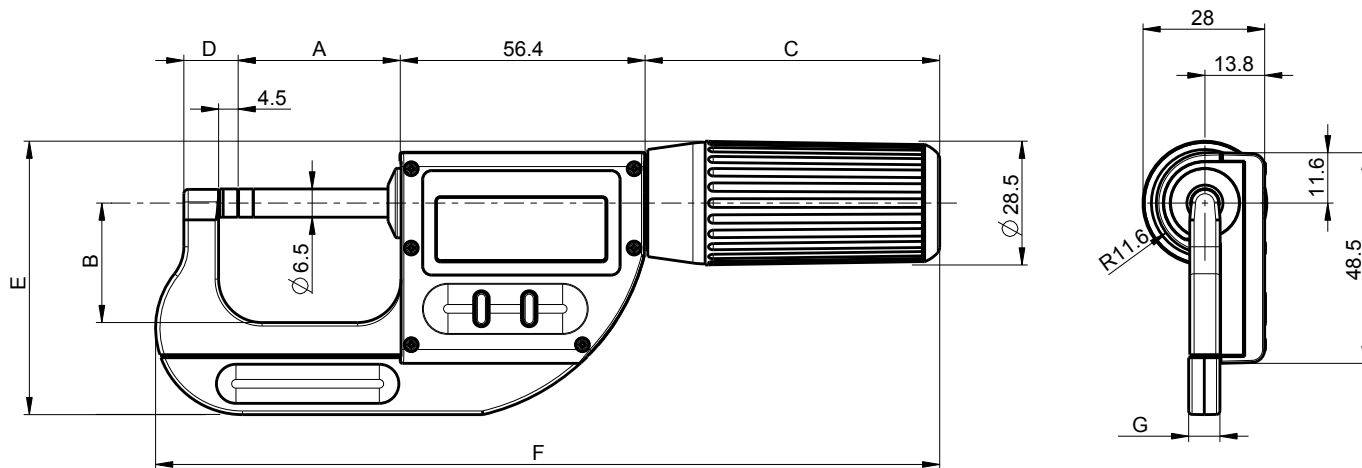
* SIS description on page 5

Professional micrometer

S_Mike PRO

DIMENSIONAL DRAWING

CYLINDRICAL Ø6.5



TECHNICAL SPECIFICATIONS

| | | 803-0300 | 903-0600 | 903-1000 | 903-1360 | 903-1600 |
|----------------------------------|----|----------------------------|----------|----------|----------|----------|
| Measuring range | mm | 0-30 | 30-66 | 66-102 | 100-136 | 125-161 |
| Max. Error G ¹⁾ | µm | 3 | 4 | 5 | 7 | 8 |
| Repeatability ²⁾ | µm | 1 | 1 | 1 | 2 | 2 |
| Anvils types | | Ø6.5 | | | | |
| A | mm | 37.3 | 73.3 | 109.3 | 143.3 | 168.3 |
| B | mm | 27.5 | 43 | 60 | 95 | 110 |
| C | mm | 68 | 74 | 74 | 74 | 74 |
| D | mm | 12.5 | 13.5 | 14.5 | 19.5 | 19.5 |
| E | mm | 63 | 86 | 106 | 151 | 169 |
| F | mm | 181 | 230 | 269 | 306 | 339 |
| G | mm | 7.2 | 9 | 9 | 9 | 9 |
| Output data | | USB / RS 232 ³⁾ | | | | |
| Prot. rating accor. to IEC 60529 | | IP67 even connected | | | | |
| Setting by PC | | ● | | | | |
| Adjustable measuring force | | 5N / 10N | | 10N | | |
| Non-rotating spindle | | ● | | | | |
| Fast movement | | ● | | | | |
| Preset function | | ● | | | | |
| Smart Inductive Sensor | | ● | | | | |

¹⁾ according to DIN 863

²⁾ ± 1 digit

³⁾ see cables chapter

Professional micrometer

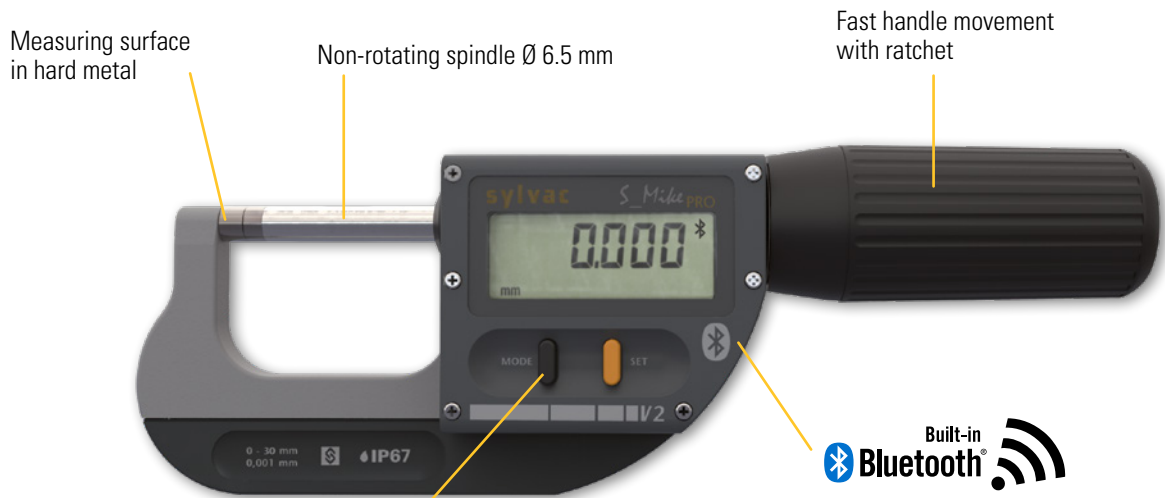
S_Mike PRO Smart

DESCRIPTION

CYLINDRICAL Ø6.5 SMART

- Ultra-fast non-rotating spindle micrometer with integrated Bluetooth® system
- Linear spindle feed 10 mm per revolution
- Measuring range greater than traditional micrometers
- Tungsten carbide measuring anvils Ø 6.5 mm
- Display resolution 0.001 mm
- Ratchet system cancels operator influence and guarantees excellent repeatability
- Switchable measuring force 5 or 10 N for the 0-30 mm model
- Measuring range up to 102 mm (161 mm on request)
- Protection class IP67

D



DIN 863

Built-in **Bluetooth**

SIS Smart Inductive System

WATER RESISTANT

IP67

SWISS MADE

Simple and friendly functions

Cylindrical Ø6.5mm



* SIS description on page 5

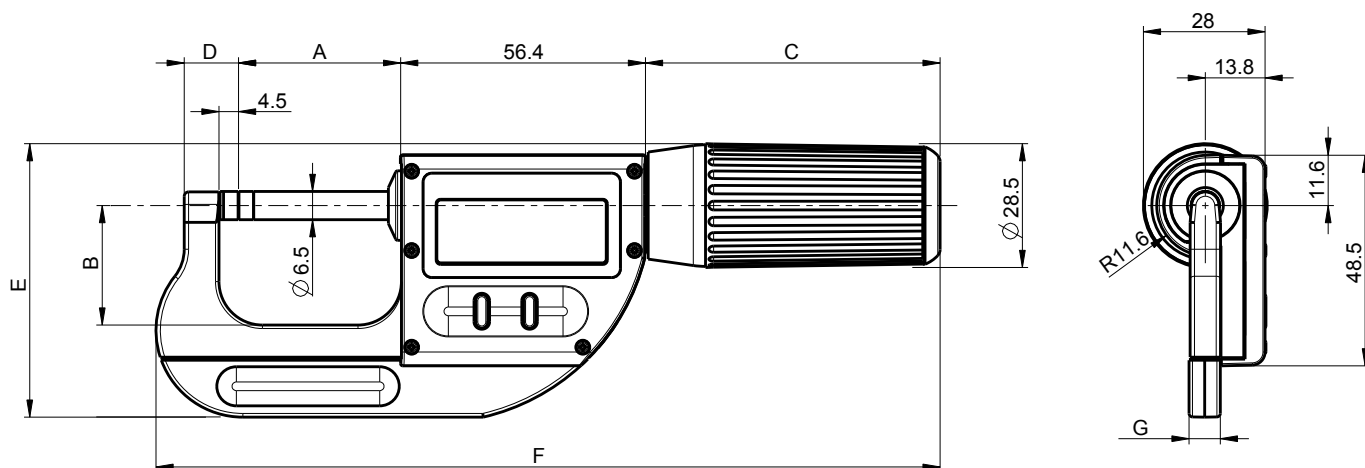


Professional micrometer

S_Mike PRO Smart

DIMENSIONAL DRAWING

CYLINDRICAL Ø6.5 SMART



TECHNICAL SPECIFICATIONS

| | | 803-0306 | 903-0606 | 903-1006 |
|----------------------------------|---------------------------------|--------------------|----------|----------|
| Measuring range | mm | 0-30 | 30-66 | 66-102 |
| Max. Error G ¹⁾ | µm | 3 | 4 | 5 |
| Repeatability ²⁾ | µm | 1 | 1 | 1 |
| Anvils types | | Ø6.5 ³⁾ | | |
| A | mm | 37.3 | 73.3 | 109.3 |
| B | mm | 27.5 | 43 | 60 |
| C | mm | 68 | 74 | 74 |
| D | mm | 12.5 | 13.5 | 14.5 |
| E | mm | 63 | 86 | 106 |
| F | mm | 181 | 230 | 269 |
| G | mm | 7.2 | 9 | 9 |
| Output data | Bluetooth® wireless technology* | | | |
| Prot. rating accor. to IEC 60529 | IP67 even connected | | | |
| Setting by PC | ● | | | |
| Adjustable measuring force | 5N / 10N | 10N | | |
| Non-rotating spindle | ● | | | |
| Fast movement | ● | | | |
| Preset function | ● | | | |
| Smart Inductive Sensor | ● | | | |

¹⁾ according to DIN 863

²⁾ ± 1 digit

³⁾ Other anvils type on demand.

* Up to 8 instruments connected per dongle #981-7100

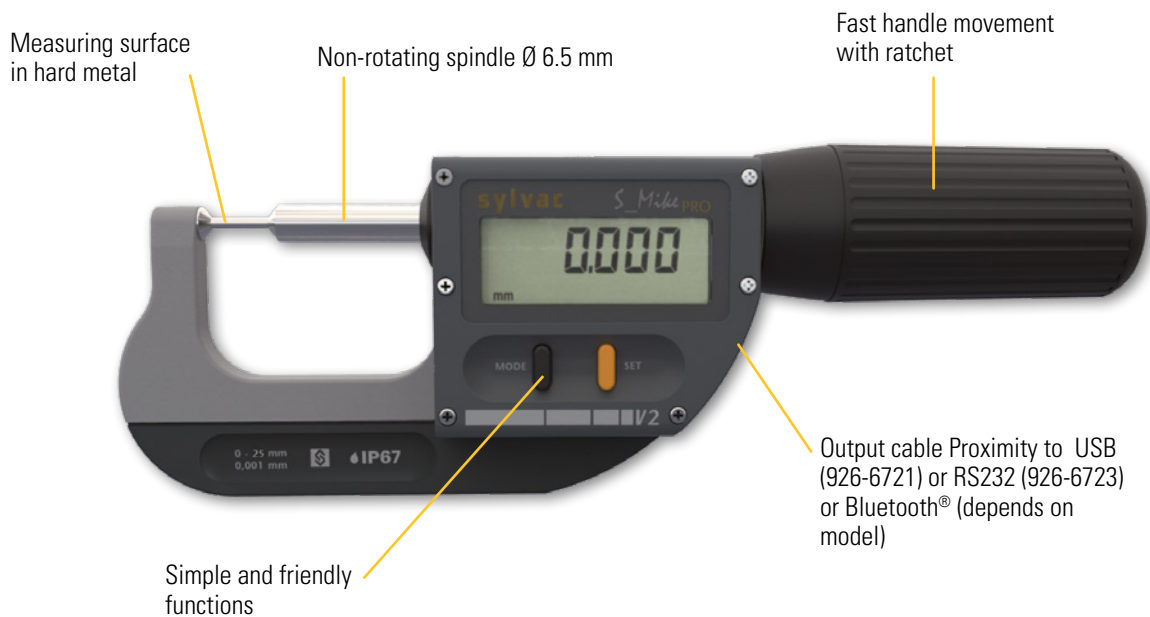
Professional micrometer

S_Mike PRO

DESCRIPTION

CYLINDRICAL Ø2

- High-speed micrometer with non-rotating spindle with or without integrated Bluetooth® system
- Linear spindle feed 10 mm per revolution
- Tungsten carbide measuring anvils Ø 2 x 5 mm
- Possibility to obtain this micrometer with different diameter keys (more than 2 mm) on request.
- Display resolution 0.001 mm
- Ratchet system cancels operator influence and guarantees excellent repeatability
- Switchable measuring force 5 or 10 N for the 0-25 mm model
- Proximity data output for non-Bluetooth models
- All models are available in Bluetooth version on request.
- Measuring range up to 95 mm
- Protection class IP67



DIN 863



SIS Smart Inductive System



IP67

SWISS MADE

Cylindrical Ø2mm



* SIS description on page 5

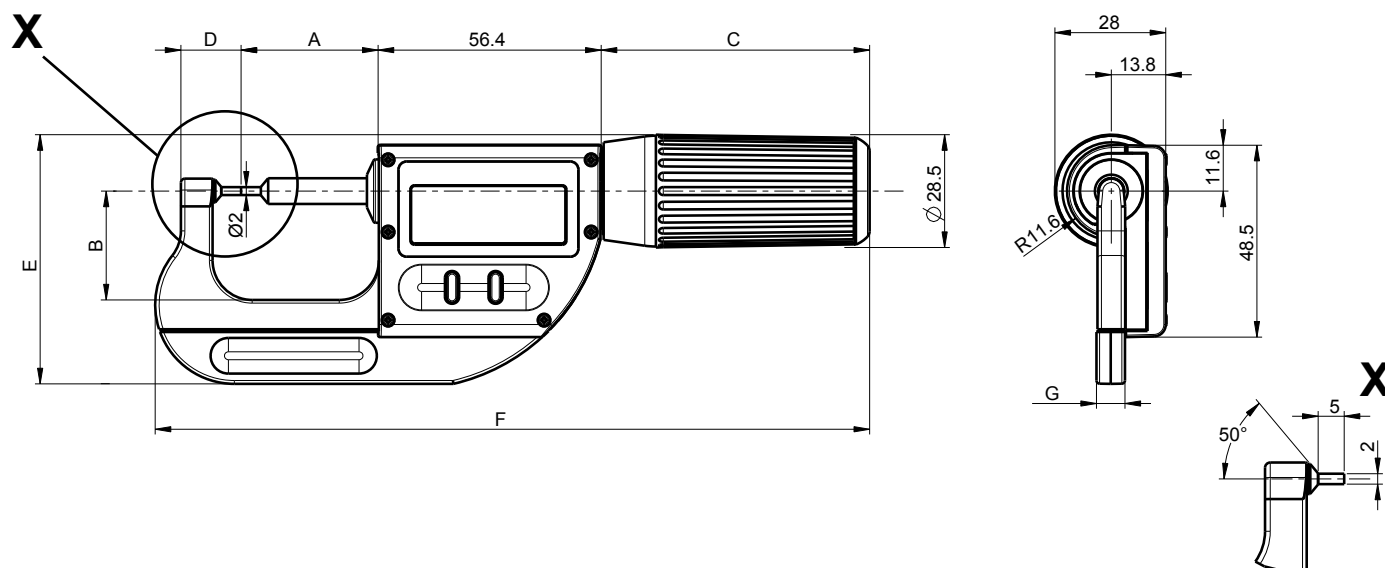


Professional micrometer

S_Mike PRO

DIMENSIONAL DRAWING

CYLINDRICAL Ø2



TECHNICAL SPECIFICATIONS

| | | 803-0301 | 903-0601 | 903-1001 | 803-0307 |
|----------------------------------|----|----------------------------|----------|----------|------------|
| Measuring range | mm | 0-25 | 25-60 | 60-95 | 0-25 |
| Max. Error G ¹⁾ | µm | 3 | 4 | 5 | 3 |
| Repeatability ²⁾ | µm | 1 | 1 | 1 | 1 |
| Anvils types | | | Ø2 | | Ø2 |
| A | mm | 34.6 | 70.6 | 106.6 | 34.6 |
| B | mm | 27.5 | 43 | 60 | 27.5 |
| C | mm | 68 | 74 | 74 | 68 |
| D | mm | 15.2 | 16.2 | 17.2 | 15.2 |
| E | mm | 63 | 86 | 106 | 63 |
| F | mm | 181 | 230 | 269 | 181 |
| G | mm | 7.2 | 9 | 9 | 7.2 |
| Output data | | USB / RS 232 ³⁾ | | | Bluetooth* |
| Prot. rating accor. to IEC 60529 | | IP67 even connected | | | |
| Setting by PC | | | ● | | |
| Adjustable measuring force | | 5N / 10N | | 10N | 5N / 10N |
| Non-rotating spindle | | | ● | | |
| Fast movement | | | ● | | |
| Preset function | | | ● | | |
| Smart Inductive Sensor | | | ● | | |

¹⁾ according to DIN 863

²⁾ ± 1 digit

³⁾ see cables chapter

* Up to 8 instruments connected per dongle #981-7100

Professional micrometer

S_Mike PRO

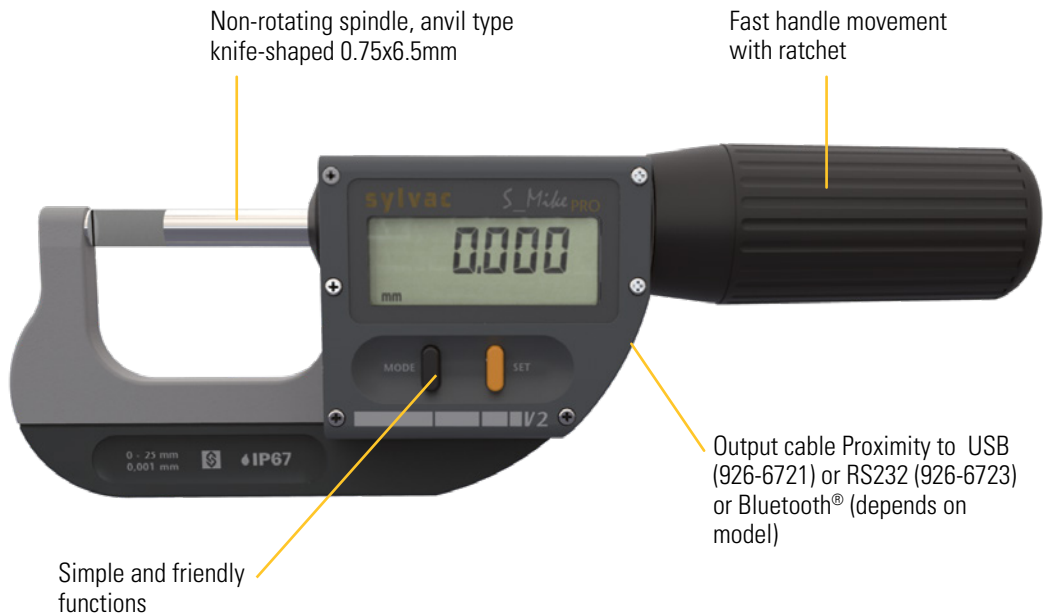
DESCRIPTION

KNIFE-SHAPED

- High-speed micrometer with non-rotating spindle with or without integrated Bluetooth® system
- Linear spindle feed 10 mm per revolution
- Tungsten carbide measuring anvils, knife type, thickness 0.75 x 6.5 mm
- Possibility to obtain this micrometer with anvils of different thickness (minimum 0.4 mm) on request.
- Display resolution 0.001 mm
- Ratchet system cancels operator influence and guarantees excellent repeatability
- Switchable measuring force 5 or 10 N for the 0-25 mm model
- Proximity data output for non-Bluetooth® models
- All models are available in Bluetooth® version on request.
- Measuring range up to 95 mm
- Protection class IP67



D



DIN 863



SIS Smart Inductive System



IP67



Knife-shaped



* SIS description on page 5

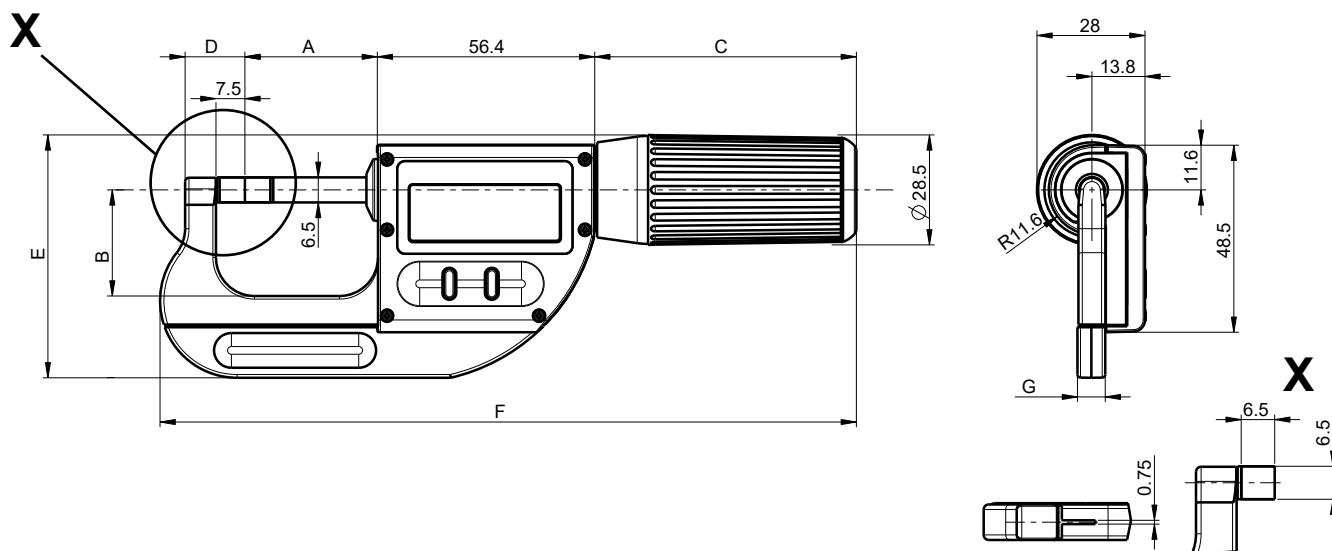


Professional micrometer

S_Mike PRO

DIMENSIONAL DRAWING

KNIFE-SHAPED



TECHNICAL SPECIFICATIONS

| | | 803-0302 | 903-0602 | 903-1002 | 903-1302 | 903-1602 | 803-0308 |
|----------------------------------|----|----------------------------|----------|----------|----------|----------|------------|
| Measuring range | mm | 0-25 | 25-60 | 60-95 | 95-130 | 120-155 | 0-25 |
| Max. Error G ¹⁾ | µm | 3 | 4 | 5 | 6 | 7 | 3 |
| Repeatability ²⁾ | µm | 1 | 1 | 1 | 2 | 2 | 1 |
| Anvils types | | 0.75x6.5 | | | | | 0.75x6.5 |
| A | mm | 34.3 | 70.3 | 106.3 | 140.3 | 165.3 | 34.3 |
| B | mm | 27.5 | 43 | 60 | 95 | 110 | 27.5 |
| C | mm | 68 | 74 | 74 | 74 | 74 | 68 |
| D | mm | 15.5 | 16.5 | 17.5 | 22.5 | 22.5 | 15.5 |
| E | mm | 63 | 86 | 106 | 151 | 169 | 63 |
| F | mm | 181 | 230 | 269 | 306 | 339 | 181 |
| G | mm | 7.2 | 9 | 9 | 9 | 9 | 7.2 |
| Output data | | USB / RS 232 ³⁾ | | | | | Bluetooth* |
| Prot. rating accor. to IEC 60529 | | IP67 even connected | | | | | |
| Setting by PC | | ● | | | | | |
| Adjustable measuring force | | 5N / 10N | 10N | | | | 5N / 10N |
| Non-rotating spindle | | ● | | | | | |
| Fast movement | | ● | | | | | |
| Preset function | | ● | | | | | |
| Smart Inductive Sensor | | ● | | | | | |

¹⁾ according to DIN 863

²⁾ ± 1 digit

³⁾ see cables chapter

* Up to 8 instruments connected per dongle #981-7100

Professional micrometer

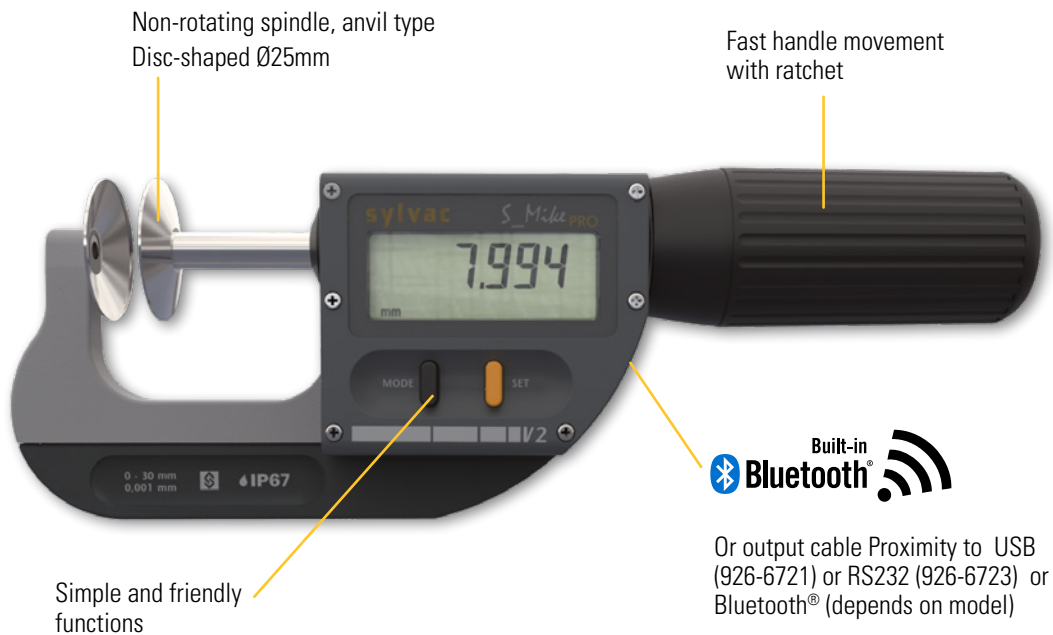
S_Mike PRO

DESCRIPTION

DISC-SHAPED

- High-speed micrometer with non-rotating spindle
- Linear spindle feed 10 mm per revolution
- Tungsten carbide measuring discs Ø 25 mm
- For technical reasons, this micrometer cannot be delivered with different discs.
- Display resolution 0.001 mm
- Ratchet system cancels operator influence and guarantees excellent repeatability
- Switchable measuring force 5N
- Bluetooth® data output (Proximity data output for non-Bluetooth® models)
- Measuring range limited to 102 mm
- Protection class IP67

D



DIN 863

SIS Smart Inductive System

WATER RESISTANT

IP67

SWISS MADE

Disc-shaped

* SIS description on page 5

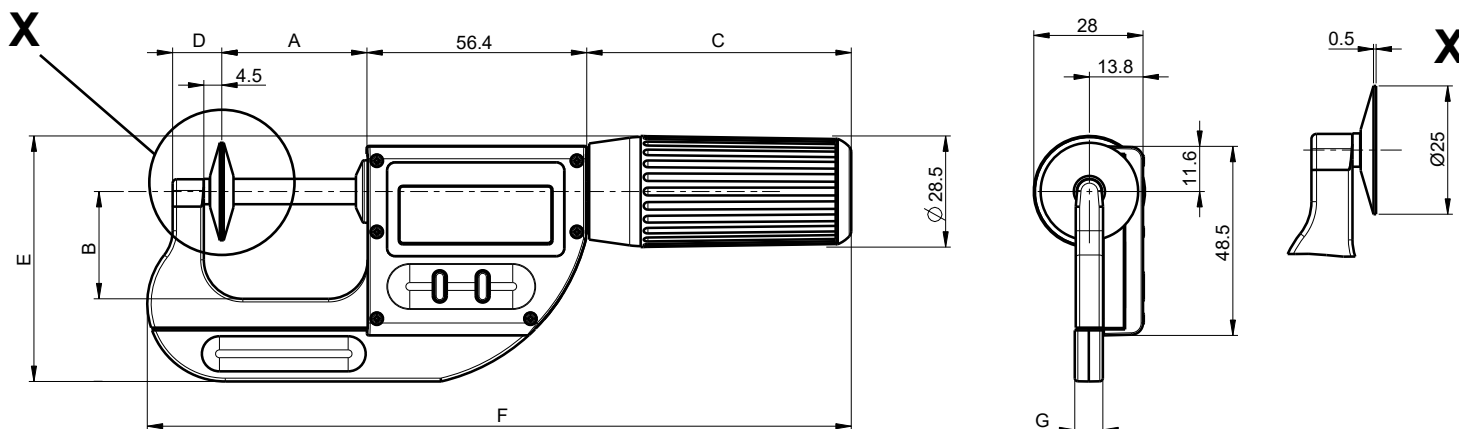


Professional micrometer

S_Mike PRO

DIMENSIONAL DRAWING

DISC-SHAPED



TECHNICAL SPECIFICATIONS

| | | 803-0303 | 803-0313 | 903-0613 | 903-1013 |
|----------------------------------|----------------------------|---|----------|---|---|
| Measuring range | mm | 0-30 | 0-30 | 30-66 | 66-102 |
| Max. Error G ¹⁾ | µm | 4 (full-touch-contact) / 10 (partial contact) | | 5 (full-touch-contact) / 11 (partial contact) | 6 (full-touch-contact) / 12 (partial contact) |
| Repeatability ²⁾ | µm | 1 | | | |
| Flatness | µm | 2 | | | |
| Parallelism | µm | 5 (full-touch-contact) / 10 (partial contact) | | 6 (full-touch-contact) / 12 (partial contact) | 6 (full-touch-contact) / 12 (partial contact) |
| Gear unit | Measurable module ≥ 0.5 | | | | |
| Anvils types | Ø25 | | | | |
| Output data | USB / RS 232 ³⁾ | Bluetooth® wireless technology* | | | |
| Prot. rating accor. to IEC 60529 | IP67 even connected | | | | |
| A | 37.3 | 37.3 | 73.3 | 109.3 | |
| B | 27.5 | 27.5 | 43 | 60 | |
| C | 68 | 68 | 74 | 74 | |
| D | 12.5 | 12.5 | 13.5 | 14.5 | |
| E | 63 | 63 | 86 | 106 | |
| F | 181 | 181 | 230 | 269 | |
| G | 7.2 | 7.2 | 9 | 9 | |
| Setting by PC | ● | | | | |
| Measuring force | 5N | | | | |
| Non-rotating spindle | ● | | | | |
| Fast movement | ● | | | | |
| Preset function | ● | | | | |
| Smart Inductive Sensor | ● | | | | |

¹⁾ according to DIN 863 / ²⁾ ± 1 digit / ³⁾ see cables chapter

* Up to 8 instruments connected per dongle #981-7100

Professional micrometer

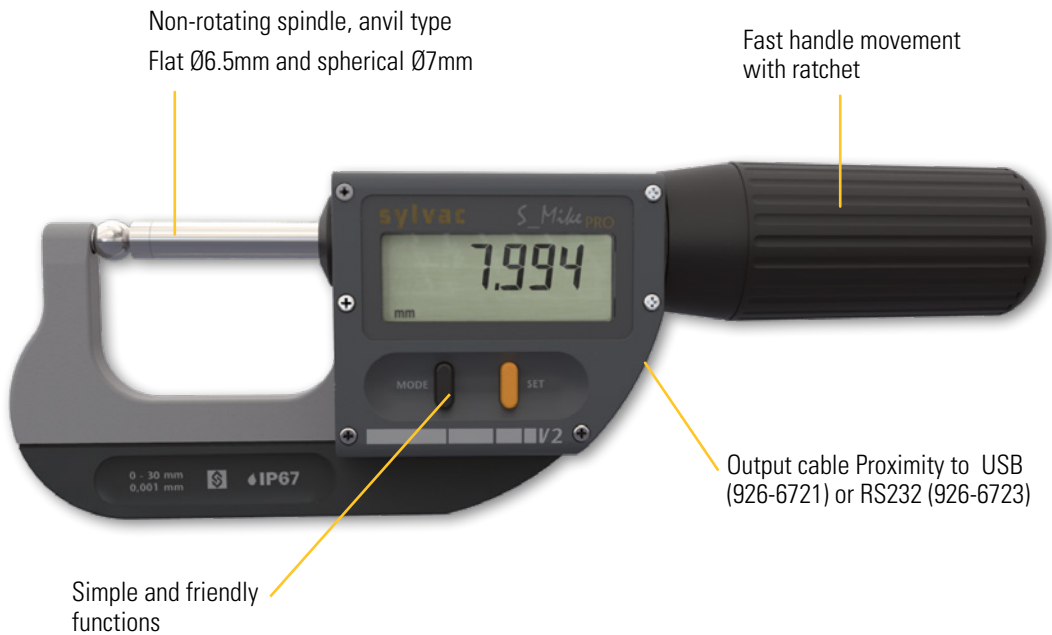
S_Mike PRO

DESCRIPTION

FLAT Ø6.5 / SPHERICAL Ø7

- High-speed micrometer with non-rotating spindle
- Linear spindle feed 10 mm per revolution
- Tungsten-carbide measuring anvils with a fixed Ø 7 mm ball probe on the fixed side and a flat Ø 6.5 mm probe on the movable side.
- For technical reasons, this micrometer cannot be delivered with different anvils.
- Display resolution 0.001 mm
- Ratchet system cancels operator influence and guarantees excellent repeatability
- Switchable measuring force 5 or 10 N
- Proximity data output
- This model is available in Bluetooth® version on request.
- Measuring range limited to 30 mm
- Protection class IP67

D



DIN 863

PROXIMITY

SIS Smart Inductive System

WATER RESISTANT

IP67

SWISS MADE

Flat Ø6.5mm / Spherical Ø7mm

* SIS description on page 5

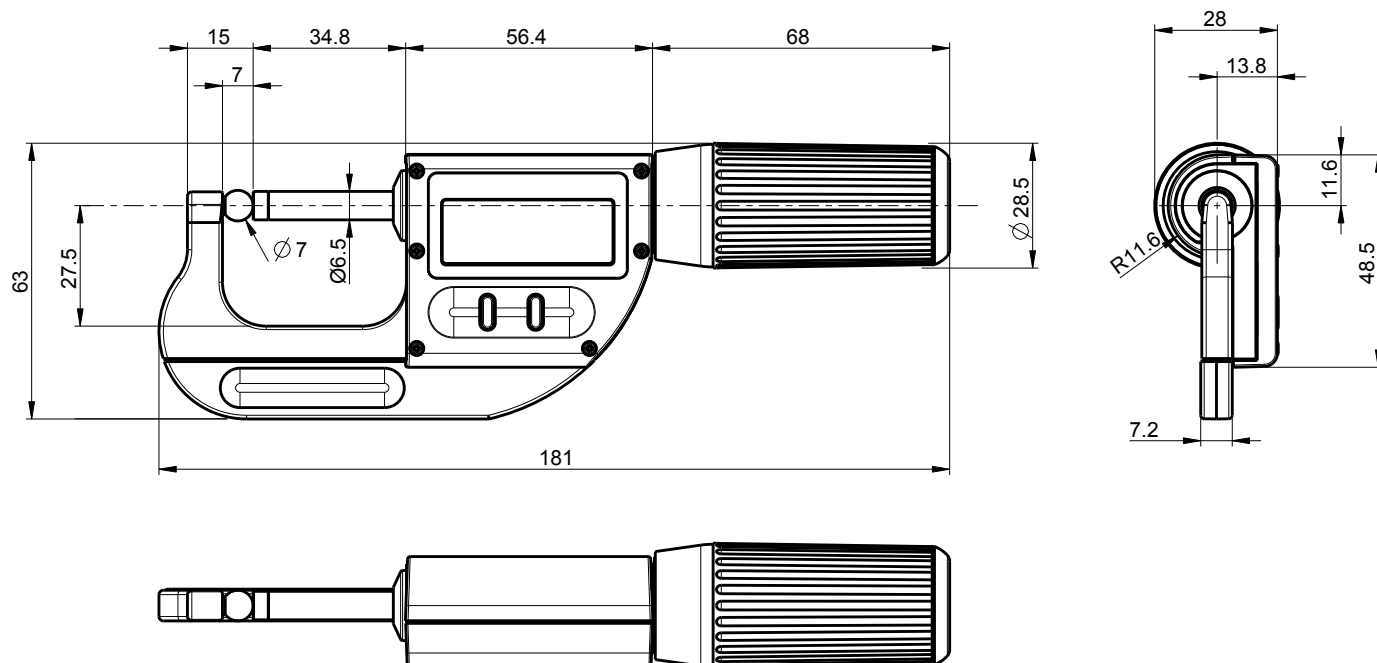


Professional micrometer

S_Mike PRO

DIMENSIONAL DRAWING

FLAT Ø6.5 / SPHERICAL Ø7



D

TECHNICAL SPECIFICATIONS

| | | 803.0304 |
|----------------------------------|----|---------------------------------------|
| Measuring range | mm | 0-30 |
| Max. Error G ¹⁾ | µm | 3 |
| Repeatability ²⁾ | µm | 1 |
| Parallelism | µm | 1 |
| Anvils types | | Ø7 flat and Ø7 spherical |
| Output data | | USB / RS 232 / Wireless ³⁾ |
| Prot. rating accor. to IEC 60529 | | IP67 even connected |
| Setting by PC | | ● |
| Adjustable measuring force | | 5N / 10N |
| Non-rotating spindle | | ● |
| Fast movement | | ● |
| Preset function | | ● |
| Smart Inductive Sensor | | ● |

¹⁾ according to DIN 863

²⁾ ± 1 digit

³⁾ see cables chapter

Professional micrometer

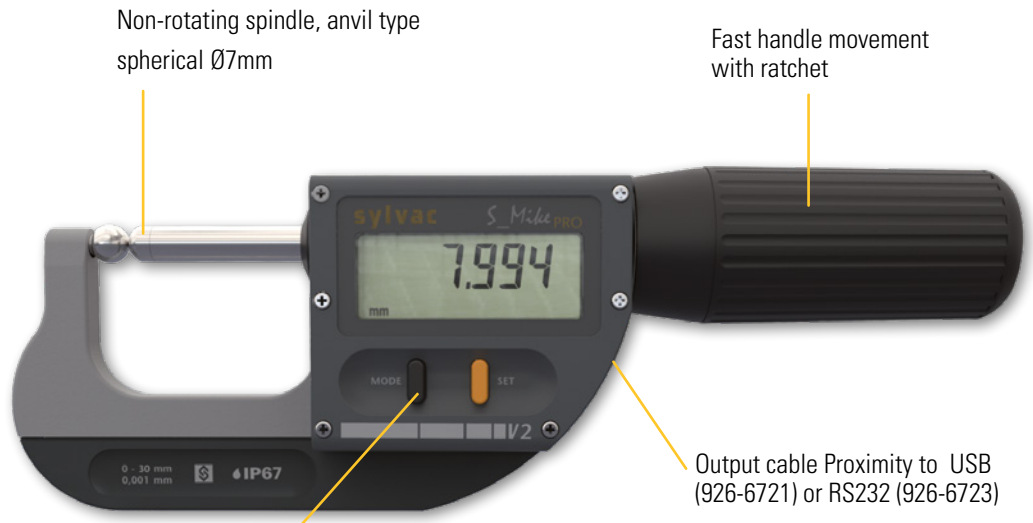
S_Mike PRO

DESCRIPTION

SPHERICAL Ø7

- High-speed micrometer with non-rotating spindle
- Linear spindle feed 10 mm per revolution
- Tungsten-carbide measuring anvils with fixed side a complete sphere Ø 7 mm and movable side a spherical probe with a radius of 3.5 mm
- For technical reasons, this micrometer cannot be delivered with different anvils.
- Display resolution 0.001 mm
- Ratchet system cancels operator influence and guarantees excellent repeatability
- Switchable measuring force 5 or 10 N
- Proximity data output
- This model is available in Bluetooth® version on request.
- Measuring range limited to 30 mm
- Protection class IP67

D



DIN 863

PROXIMITY

SIS Smart Inductive System

WATER RESISTANT

IP67

SWISS MADE

Simple and friendly functions

Spherical Ø7mm

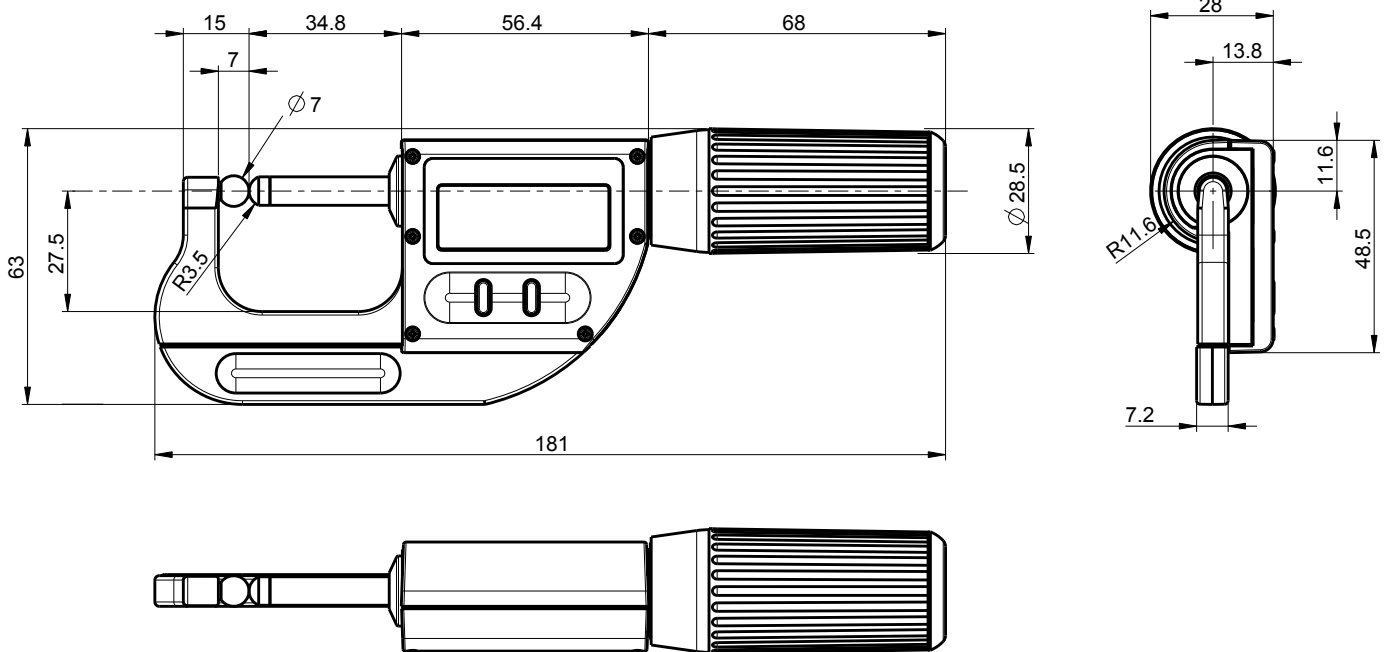
* SIS description on page 5

Professional micrometer

S_Mike PRO

DIMENSIONAL DRAWING

SPHERICAL Ø7



TECHNICAL SPECIFICATIONS

| | | 803.0305 |
|----------------------------------|----|---------------------------------------|
| Measuring range | mm | 0-30 |
| Max. Error G ¹⁾ | µm | 4 |
| Repeatability ²⁾ | µm | 1 |
| Anvils types | | Ø7 (2 spherical) |
| Output data | | USB / RS 232 / Wireless ³⁾ |
| Prot. rating accor. to IEC 60529 | | IP67 even connected |
| Setting by PC | | ● |
| Adjustable measuring force | | 5N / 10N |
| Non-rotating spindle | | ● |
| Fast movement | | ● |
| Preset function | | ● |
| Smart Inductive Sensor | | ● |

¹⁾ according to DIN 863

²⁾ ± 1 digit

³⁾ see cables chapter

Professional micrometer

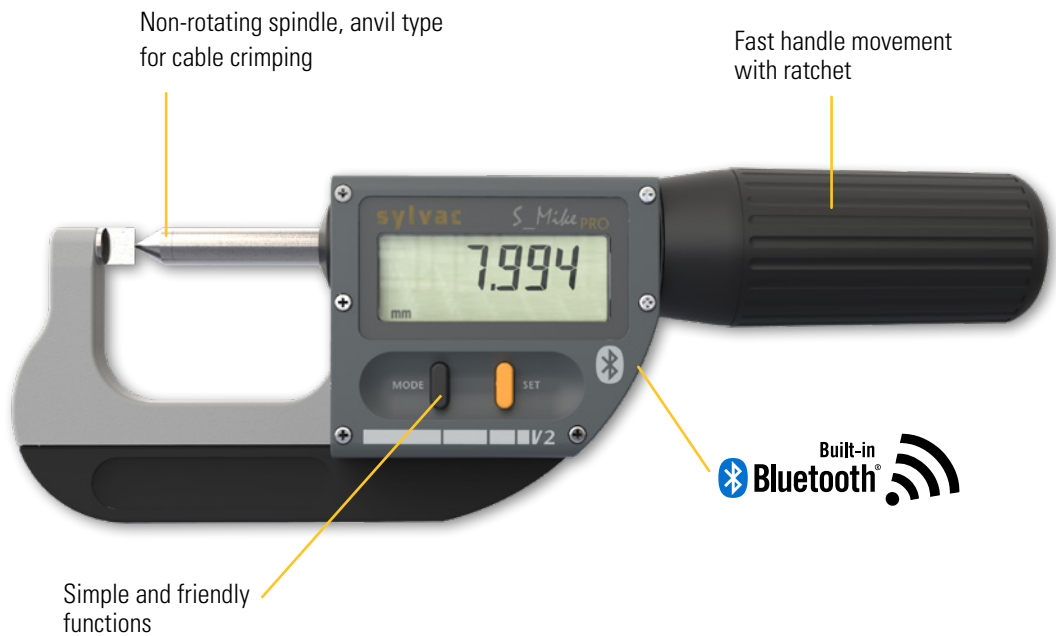
S_Mike PRO

DESCRIPTION

KNIFE-SHAPED / CONE

- High-speed micrometer with non-rotating spindle and integrated Bluetooth® system
- Linear spindle feed 10 mm per revolution
- Special instrument for checking the crimping of electrical cables
- Tungsten-carbide measuring anvils with fixed anvil side, one knife anvil 0.5 x 6.6 mm thick and movable anvil side, one conical anvil 5.2 mm wide.
- For technical reasons, this micrometer cannot be delivered with different anvils.
- Display resolution 0.001 mm
- Ratchet system cancels operator influence and guarantees excellent repeatability
- Switchable measuring force 5 or 10 N
- Measuring range limited to 25 mm
- Protection class IP67

D



DIN 863

Built-in **Bluetooth**

SIS Smart Inductive System

WATER RESISTANT

IP67

SWISS MADE

Knife-shaped 0.5mm - cone 60°/Ø0.5mm

* SIS description on page 5



Professional micrometer

S_Mike PRO

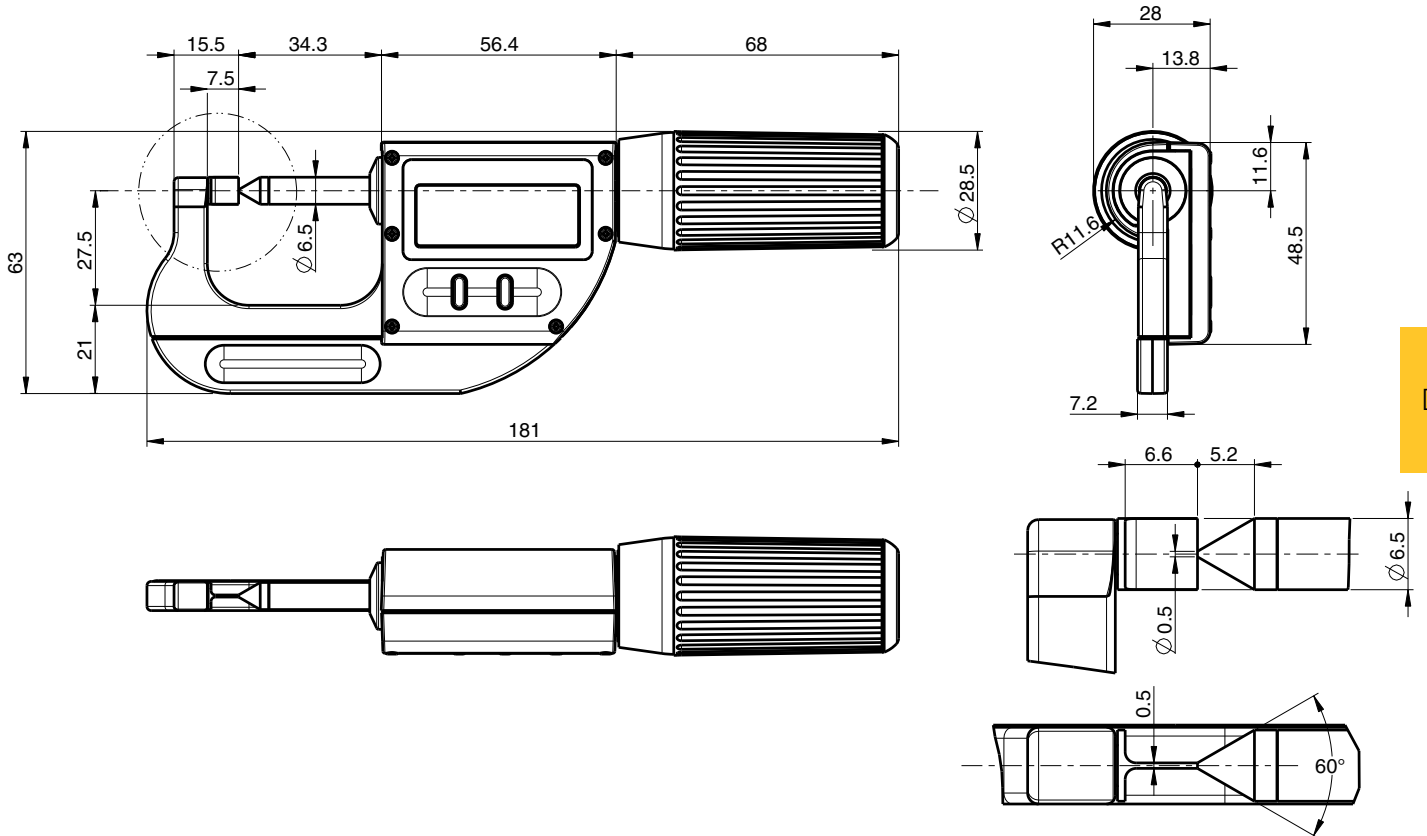
DIMENSIONAL DRAWING

KNIFE-SHAPED / CONE



Built-in

Cable crimping



TECHNICAL SPECIFICATIONS

| | | 803-0309 |
|----------------------------------|----|---------------------------------|
| Measuring range | mm | 0-25 |
| Max. Error G ¹⁾ | µm | 3 |
| Repeatability ²⁾ | µm | 1 |
| Anvils types | | Knife 0.5mm - cone 60°/∅0.5mm |
| Output data | | Bluetooth® wireless technology* |
| Prot. rating accor. to IEC 60529 | | IP67 even connected |
| Setting by PC | | ● |
| Adjustable measuring force | | 5N / 10N |
| Non-rotating spindle | | ● |
| Fast movement | | ● |
| Preset function | | ● |
| Smart Inductive Sensor | | ● |

¹⁾ according to DIN 863

²⁾ ± 1 digit

* Up to 8 instruments connected per dongle #981-7100

Professional micrometer

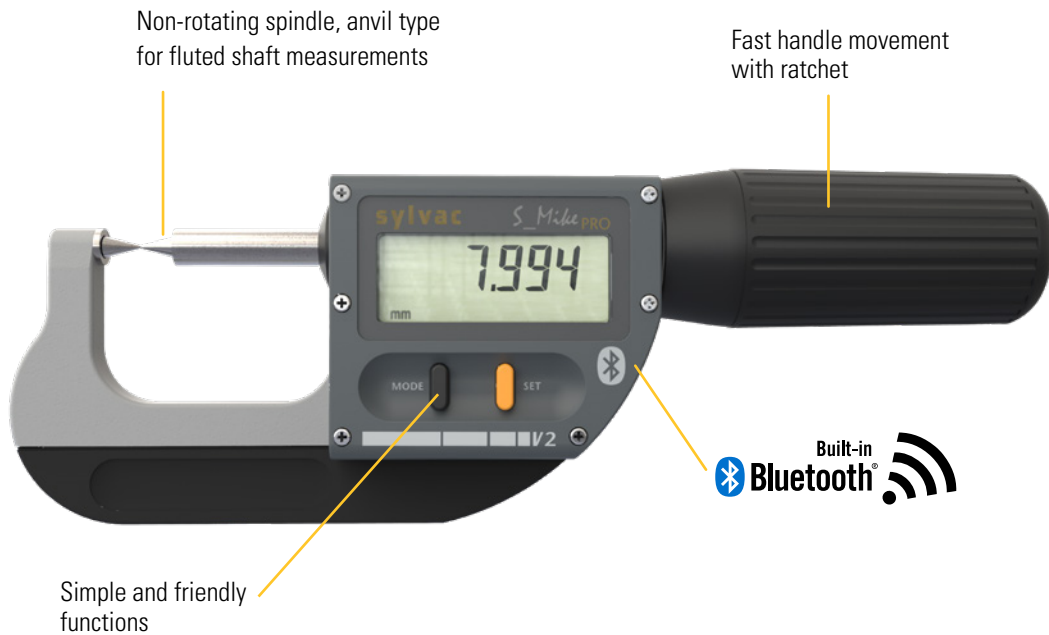
S_Mike PRO

DESCRIPTION

POINT / SPHERICAL

- High-speed micrometer with non-rotating spindle and integrated Bluetooth® system
- Linear spindle feed 10 mm per revolution
- Special instrument for checking splines
- 30° tapered hard metal measuring anvils with a small radius of 0.3 mm at the tip
- For technical reasons, this micrometer cannot be delivered with different anvils.
- Display resolution 0.001 mm
- Ratchet system cancels operator influence and guarantees excellent repeatability
- Switchable measuring force 5 or 10 N
- Measuring range limited to 25 mm
- Protection class IP67

D



DIN 863

Built-in Bluetooth

SIS Smart Inductive System

WATER RESISTANT

IP67

SWISS MADE

Point 30° - Spherical R0.3mm

* SIS description on page 5



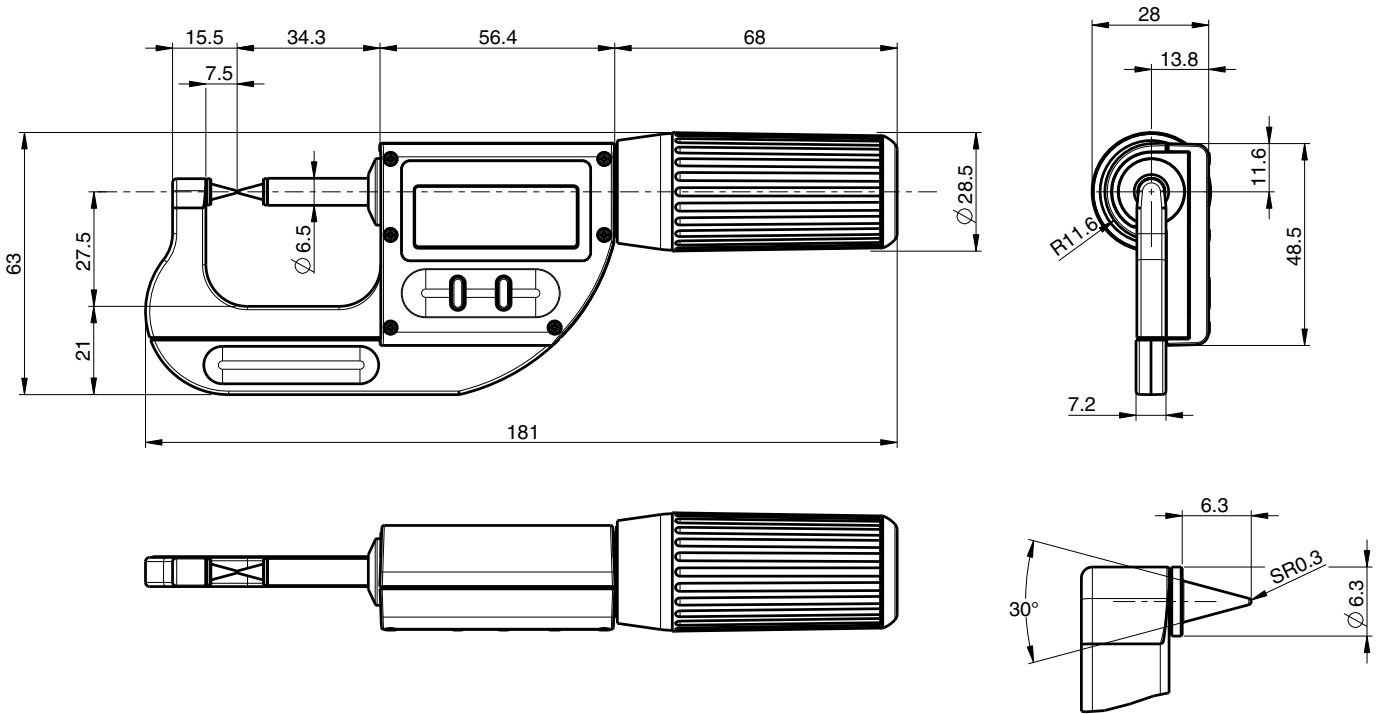
Professional micrometer

S_Mike PRO

DIMENSIONAL DRAWING

POINT / SPHERICAL

Built-in Bluetooth® **Fluted Shaft**



D

TECHNICAL SPECIFICATIONS

| | | 803-0310 |
|----------------------------------|---------------|---------------------------------|
| Measuring range | mm | 0-25 |
| Max. Error G ¹⁾ | μm | 3 |
| Repeatability ²⁾ | μm | 1 |
| Anvils types | | Point 30° - spherical R0.3mm |
| Output data | | Bluetooth® wireless technology* |
| Prot. rating accor. to IEC 60529 | | IP67 even connected |
| Setting by PC | | ● |
| Adjustable measuring force | | 5N / 10N |
| Non-rotating spindle | | ● |
| Fast movement | | ● |
| Preset function | | ● |
| Smart Inductive Sensor | | ● |

¹⁾ according to DIN 863

²⁾ ± 1 digit

* Up to 8 instruments connected per dongle #981-7100

Professional micrometer

S_Mike PRO

STANDARD DELIVERY



903-1301



910-1301 including:
910-1502, 903-0300 and 903-0330



910-1304 including:
810-1506, 803-0306 and 805-6301

| | | 903-1300 | 903-1301 | 910-1301 | 910-1304 | 903-1306 |
|-----------------|----|--------------|----------|------------|-------------------|----------|
| Measuring range | mm | 0-102 | 0-102 | 150 / 0-30 | 150 / 0-30 / 12.5 | 0-102 |
| Plastic case | | ● | - | - | ● | ● |
| Aluminium case | | - | ● | ● | - | - |
| Output data | | USB / RS 232 | | | Bluetooth® | |

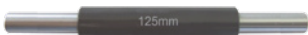
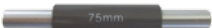
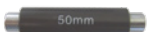
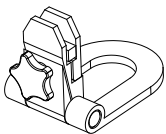
STANDARD DELIVERY

- Instrument according to technical specifications
- Setting master 50 mm (for 903-060X)
- Setting master 75 mm (for 903-100X)
- Lithium battery CR2032 included
- Instruction manual
- Calibration certificate

MICROMETERS SETS

- 803-0300 / 903-0600 / 903-1000
- Setting master 50 mm
- Setting master 75 mm
- Lithium battery CR2032 included
- Instruction manual
- Calibration certificate

ACCESSORIES



| | |
|-----------------|-----------------------|
| 903-0330 | Stand |
| 903-0620 | Setting master 50 mm |
| 903-1020 | Setting master 75 mm |
| 903-1620 | Setting master 125 mm |



Professional micrometer

S_Mike PRO

MODELS



Cylindrical Ø6.5mm Proximity /
Cylindrical Ø6.5mm Smart



Disk Ø25mm



Ball-Ball Ø7mm



Flat Ø6.5mm-Ball Ø7mm



Knife 0.75x6.5mm



Cylindrical Ø2mm



Cable crimping Knife 0.5mm -
cone 30° / Ø0.5mm Smart



Fluted Shaft - Point 30° - ball
Ø0.3mm Smart

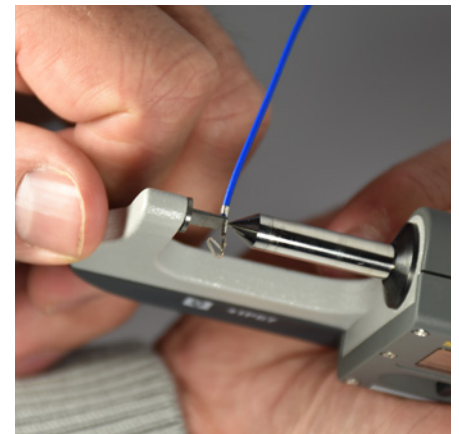
APPLICATIONS



Part measurement with a S_Mike PRO Disk



Length measurement of a lathed part



Cable crimping measurement



Professional micrometer

S_Mike EVO

DESCRIPTION

CYLINDRICAL Ø6.5

- New rotating spindle micrometer with integrated Bluetooth® system
- Spindle feed rate 1 mm per revolution
- Tungsten carbide measuring anvils Ø 6.5 mm
- Large XXL display with 0.001 mm resolution
- Measuring force 10N
- Measuring range up to 100mm
- Protection class IP67

D

Measuring surface in hard metal

Rotating spindle Ø 6.5 mm

Fast handle movement



Output Bluetooth® Wireless technology

Simple and friendly functions

* instrument soon available

DIN 863

Built-in
Bluetooth

SIS Smart Inductive System

WATER RESISTANT

IP67

Mounting unit (on request)



* SIS description on page 5

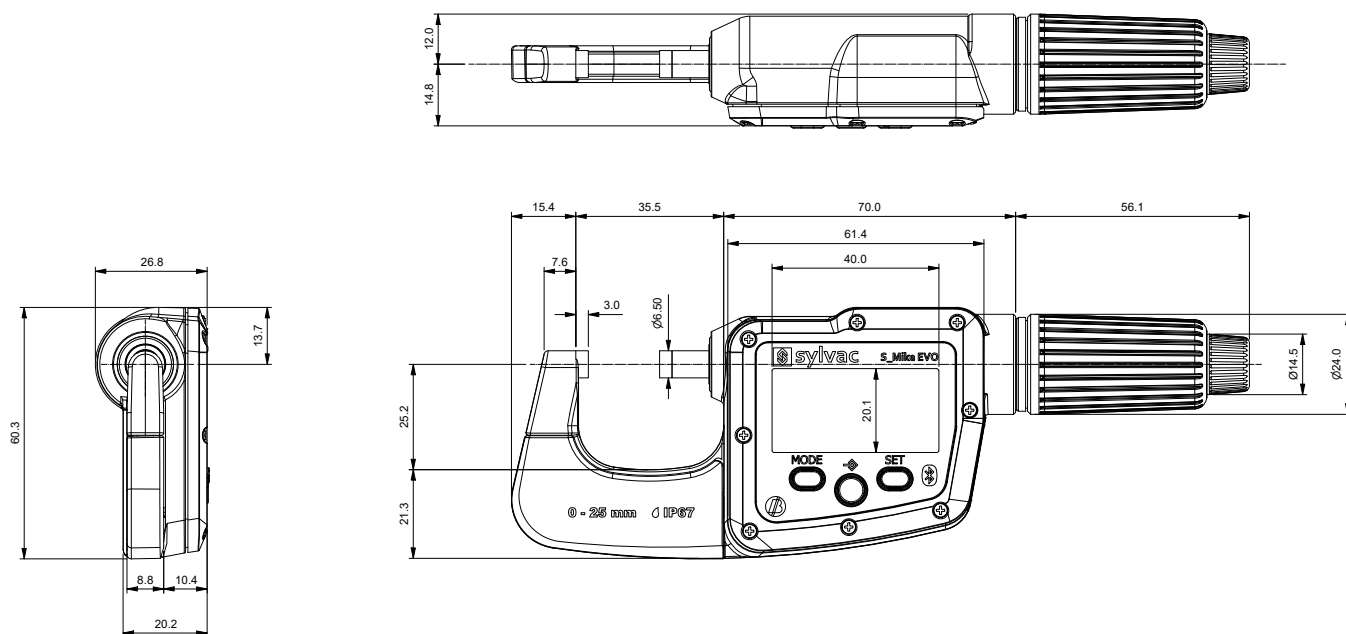


Professional micrometer

S_Mike EVO

DIMENSIONAL DRAWING

CYLINDRICAL Ø6.5



TECHNICAL SPECIFICATIONS

| | | 803-6025 | 803-6050 | 803-6075 | 803-6100 |
|----------------------------------|----|---------------------------------|----------|----------|----------|
| Measuring range | mm | 0-25 | 25-50 | 50-75 | 75-100 |
| Max. Error G ¹⁾ | µm | 3 | 4 | 5 | 7 |
| Repeatability ²⁾ | µm | 1 | 1 | 1 | 2 |
| Anvils types | | Ø6.5 | | | |
| L | mm | 35.5 | 61 | 86 | 112 |
| B | mm | 7.5 | 11 | 12 | 13 |
| C | mm | 25 | 37 | 50 | 63 |
| D | mm | 3 | 3 | 3 | 3 |
| Output data | | Bluetooth® wireless technology* | | | |
| Prot. rating accor. to IEC 60529 | | IP67 even connected | | | |
| Setting by PC | | ● | | | |
| Measuring force | | 10N | | | |
| Rotating spindle | | ● | | | |
| Advance | | 1mm/rotation | | | |
| Preset function | | ● | | | |
| Smart Inductive Sensor | | ● | | | |

¹⁾ according to DIN 863

²⁾ ± 1 digit

³⁾ see cables chapter

* Up to 8 instruments connected per dongle #981-7100

D