

SMALL & MID-SIZE INSTRUMENTS

This chapter brings together various instruments, some of which may seem unusual at first glance, but which have provided a vital solution for clients for whom mistakes are forbidden. The star of this section is undoubtedly our set of digital thickness gages, which is a marvellous illustration of Sylvac's boundless ingenuity. You will also find other instruments such as an angle protractor, micrometric screws and depth gages, all of which can be connected either via Bluetooth® or cable.

GENERAL CHARACTERISTICS :

- **Powered by lithium battery type CR2032**
- **Absolute measuring system S.I.S**
- **Automatic sleep and wake-up**
- **mm/inch conversion on all models**
- **Working temperature +5° to +40°C**





Digital thickness gage

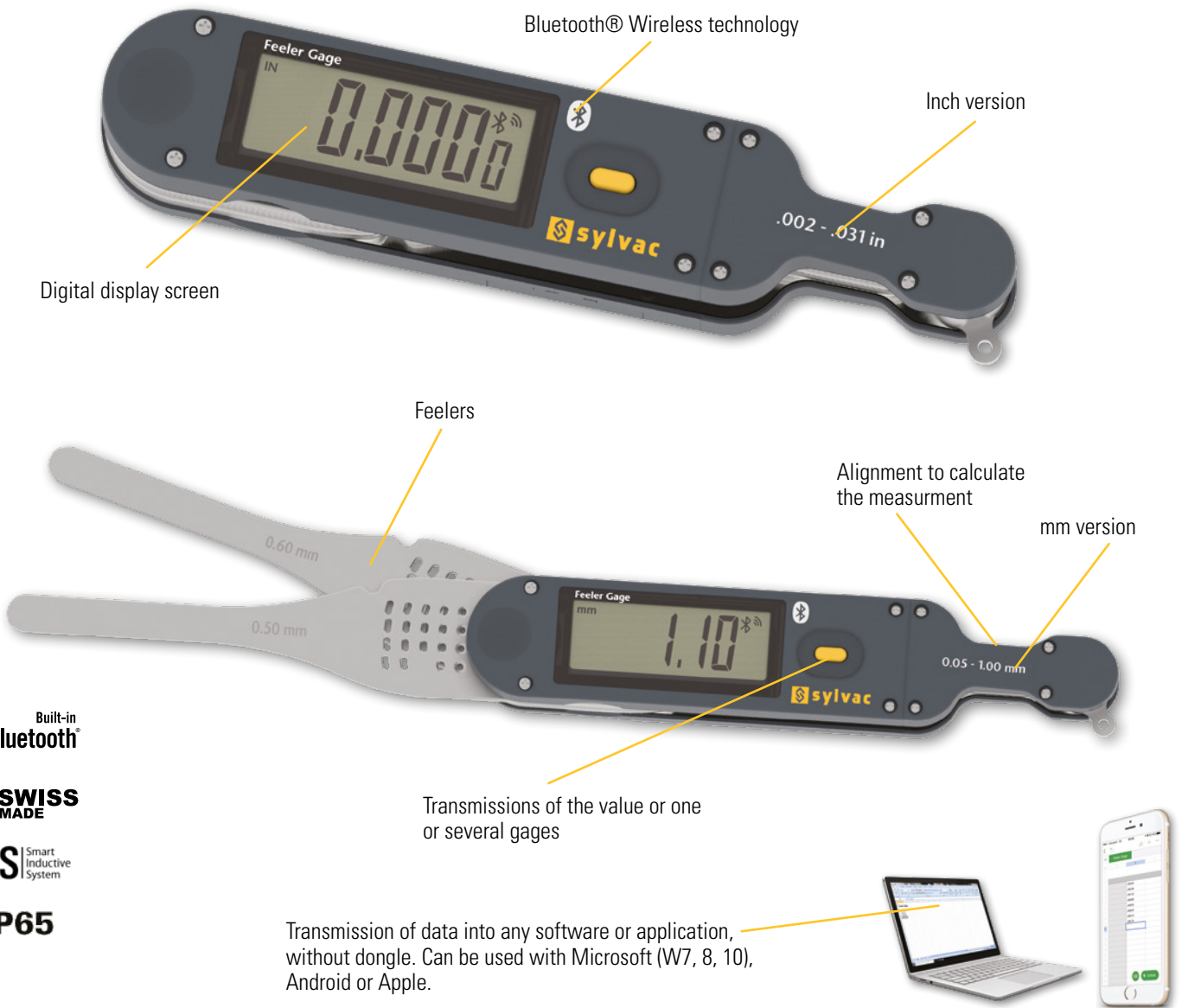
Feeler Gage Smart

DESCRIPTION

- World novelty, the first set of thickness gages with digital display of the total thickness of all feelers removed from the case.
- Integrated Bluetooth® system
- Developed for sensitive applications (aerospace, automotive, defence, etc.) where error is prohibited
- Available with steel feelers with thickness in mm or inches.
- Accuracy of feeler thickness according to DIN 2275: 2014-03 class TC1
- Sets in mm with 19 or 20 feelers, useful length 99 mm
- Set in inch with 14 feelers, usable length 3.9"
- Individual replacement feelers available on request
- Display resolution 0.01 mm and .001».
- IP65 protection



E

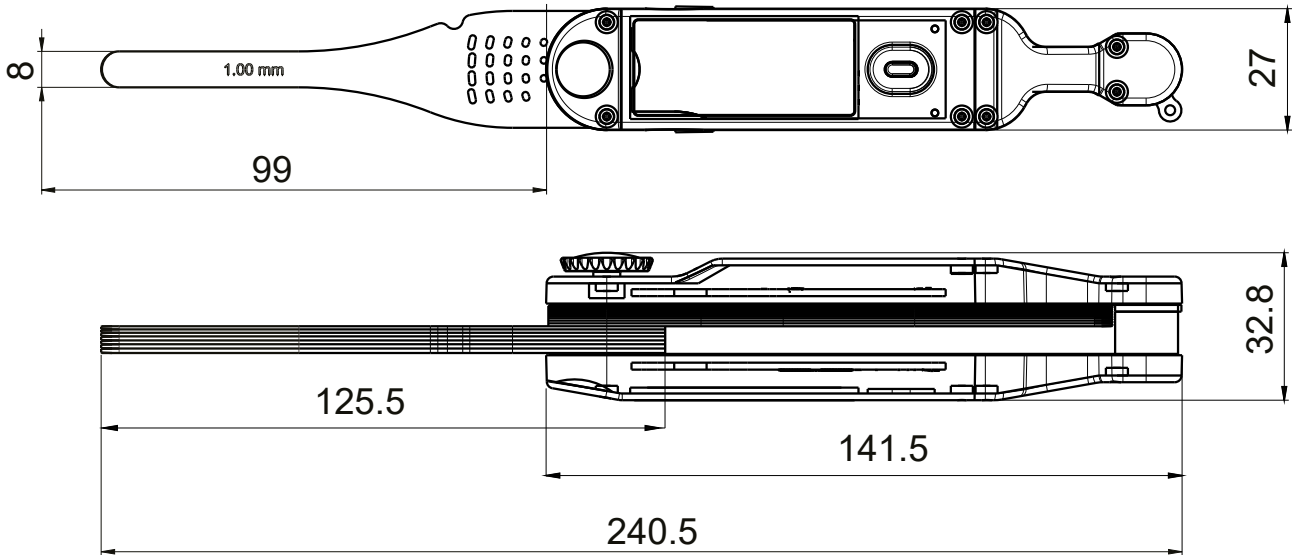




Digital thickness gage

Feeler Gage Smart

DIMENSIONAL DRAWING



Model 921-0100

The thickness may differ slightly for the other models according to the number of gages.

TECHNICAL SPECIFICATIONS

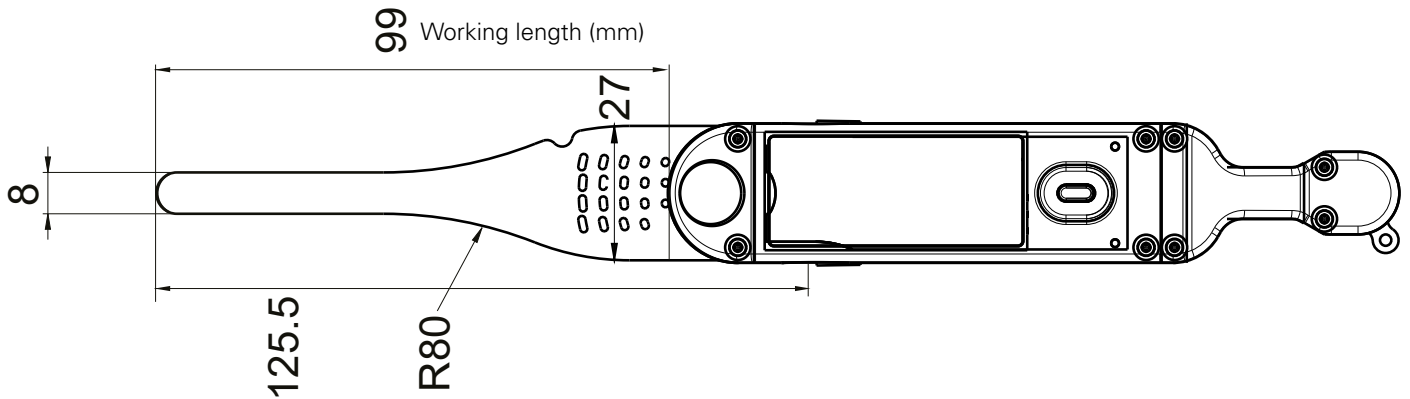
		921-0100	921-0110	921-0114
Type of version		mm	mm	inch
Measurement capacity	mm/in	0.05...1.00 mm	0.04...1.00 mm	0.0020...0.0310 in
Feelers thickness	mm	0.05, 0.10, 0.15, 0.20, 0.25, 0.30, 0.35, 0.40, 0.45, 0.50, 0.55, 0.60, 0.65, 0.70, 0.75, 0.80, 0.85, 0.90, 0.95, 1.00	0.04, 0.05, 0.06, 0.07, 0.08, 0.09, 0.10, 0.15, 0.20, 0.25, 0.30, 0.35, 0.40, 0.50, 0.60, 0.70, 0.80, 0.90, 1.00	0.0020, 0.0030, 0.0040, 0.0050, 0.0060, 0.0070, 0.0080, 0.0090, 0.0100, 0.0120, 0.0150, 0.0200, 0.0250, 0.0310
Usable length	mm	99		
Thickness Tolerance Class according to DIN 2275		TC1		
Protection rating according to IEC 529		IP65		
Output data		Bluetooth® wireless technology*		
Number of feelers		20	19	14
Weight	g	280	224	212
Functions		Unit (mm/inch)		



Digital thickness gage

Feeler Gage Smart

REPLACEMENT FEELERS



Model 921-0100
Metric Feeler Gage
0.05...1.00mm
20 blades

Model 921-0110
Metric Feeler Gage
0.04...1.00mm
19 blades

Model 921-0114
Imperial Feeler Gage
0.0020...0.0310in
14 blades

E

Reference	Thickness (mm)	Tolerance (mm)
921-1001	0.05	±0.004
921-1006	0.10	±0.005
921-1007	0.15	±0.006
921-1008	0.20	±0.006
921-1009	0.25	±0.007
921-1010	0.30	±0.007
921-1011	0.35	±0.008
921-1012	0.40	±0.009
921-1013	0.45	±0.009
921-1014	0.50	±0.010
921-1015	0.55	±0.011
921-1016	0.60	±0.011
921-1017	0.65	±0.012
921-1018	0.70	±0.012
921-1019	0.75	±0.013
921-1020	0.80	±0.014
921-1021	0.85	±0.014
921-1022	0.90	±0.015
921-1023	0.95	±0.016
921-1024	1.00	±0.017

Reference	Thickness (mm)	Tolerance (mm)
921-1000	0.04	±0.004
921-1001	0.05	±0.004
921-1002	0.06	±0.004
921-1003	0.07	±0.004
921-1004	0.08	±0.004
921-1005	0.09	±0.004
921-1006	0.10	±0.005
921-1007	0.15	±0.006
921-1008	0.20	±0.006
921-1009	0.25	±0.007
921-1010	0.30	±0.007
921-1011	0.35	±0.008
921-1012	0.40	±0.009
921-1014	0.50	±0.010
921-1016	0.60	±0.011
921-1018	0.70	±0.012
921-1020	0.80	±0.014
921-1022	0.90	±0.015
921-1024	1.00	±0.017

Reference	Thickness (in)	Tolerance (mm)
921-1025	0.0020	±0.004
921-1026	0.0030	±0.004
921-1027	0.0040	±0.004
921-1028	0.0050	±0.005
921-1029	0.0060	±0.005
921-1030	0.0070	±0.006
921-1031	0.0080	±0.006
921-1032	0.0090	±0.006
921-1033	0.0100	±0.006
921-1034	0.0120	±0.007
921-1035	0.0150	±0.008
921-1036	0.0200	±0.009
921-1037	0.0250	±0.011
921-1038	0.0301	±0.012

Material of the feelers : spring tempered stainless steel 1.4310 / alloy 301



Digital thickness gage

Feeler Gage Smart

STANDARD DELIVERY

- Instrument according to technical specifications
- Lithium battery CR2032 included
- Instruction manual
- Lanyard

APPLICATIONS



Gap measurement



Gap measurement



Gap setting



Valve adjustment



Data transmission via HID

E



Digital micrometer screws

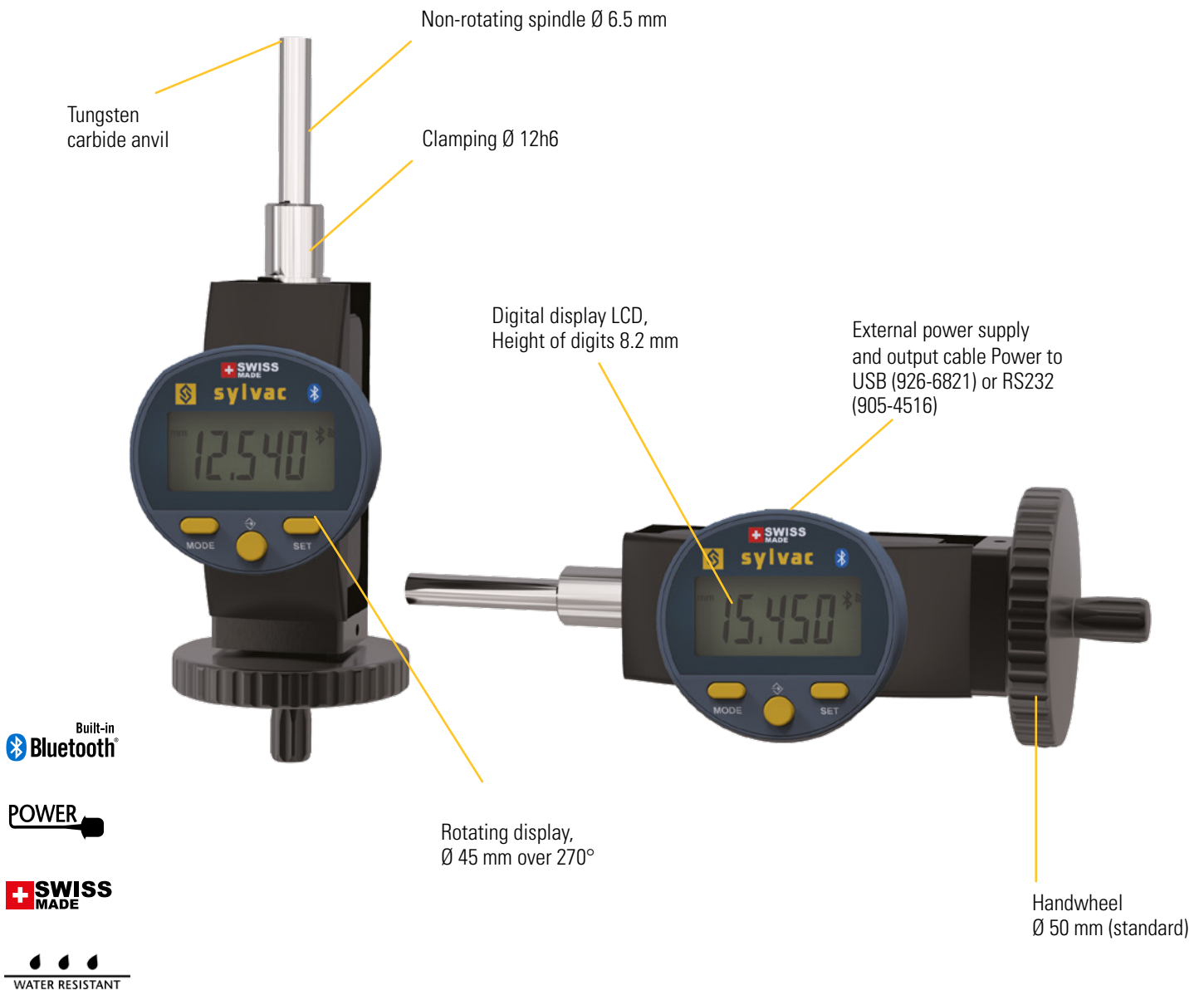
S_Screw Smart

DESCRIPTION

- Digital micrometric screws with \varnothing 45 mm dial rotatable by 270° allowing use in the X or Y axis
- Integrated Bluetooth® system
- Developed mainly to equip X-Y measuring tables (measuring microscopes)
- Display resolution 0.001 mm
- Non-turnable spindle \varnothing 6.5 with hard metal tip
- Fixing by \varnothing 12 h6
- Steering wheel \varnothing 50 mm
- Additional data output Power
- Measuring range 25 and 50 mm
- IP54 protection



E

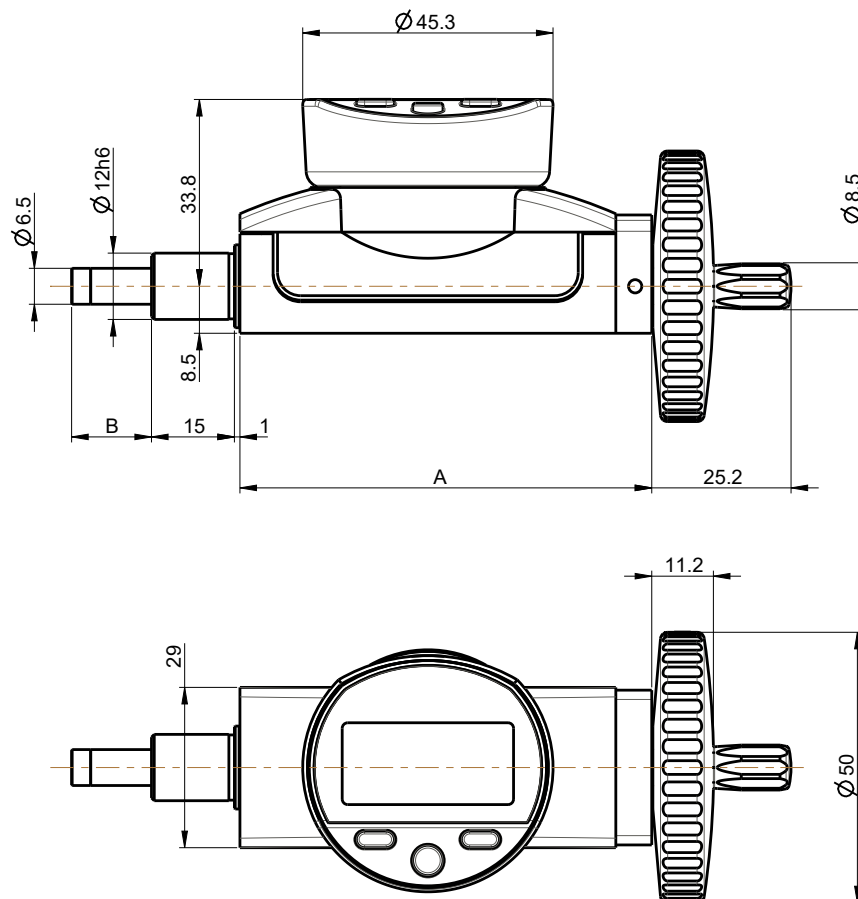




Digital micrometer screws

S_Screw Smart

DIMENSIONAL DRAWING



TECHNICAL SPECIFICATIONS

		852-2601	852-2611
Measuring range	mm	0-25	0-50
Max. Error	µm	5	8
Repeatability	µm	2	2
Resolution	mm	0.001	0.001
A	mm	74.5	98.5
B	mm	33.1	57.1
Output data		Bluetooth® wireless technology* / USB / RS232 ¹⁾	
Selection of measuring direction		●	
PRESET function		●	
4 measurement references		●	
Multiplication factor		●	

¹⁾ see cables chapter

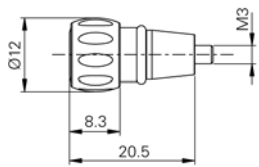
Digital micrometer screws

S_Screw Smart

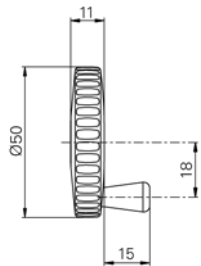
STANDARD DELIVERY

- Instrument according to technical specifications
- Lithium battery CR2032 included
- Quickstart
- Handwheel Ø 50 mm (852-2311)
- Calibration certificate

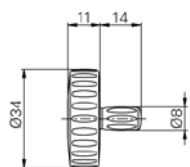
ACCESSORIES



852.2310 Fine adjustment device



852.2311 Handwheel Ø 50 mm with crank handle for fast motion



852.2312 Handwheel Ø 34 mm

APPLICATIONS



Fine adjustment device type 852.2310



Use on measuring microscope



Handwheel use



Protractor

Protractor Smart

DESCRIPTION

- Protractor with integrated Bluetooth® system
- Housing Ø 59.5 mm rotatable by 270°.
- Large display with colour LED tolerance status indication
- Angular value display in : Degrees, resolution 0.01° / Degrees/minute, resolution 0°01' / Radian, resolution .0001
- Three buttons, including the central button with selectable favourite function
- Ruler length 200 mm (other lengths available as an option)
- Measuring range: 1 x 360°, 2 x 180°, 4 x 90°.
- Additional data outputs Proximity and Power
- Protection class IP54



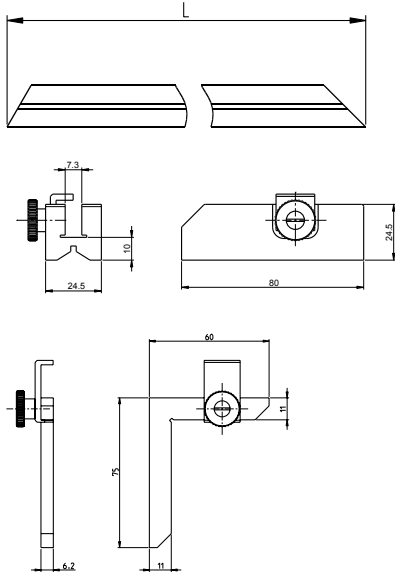
E



Protractor

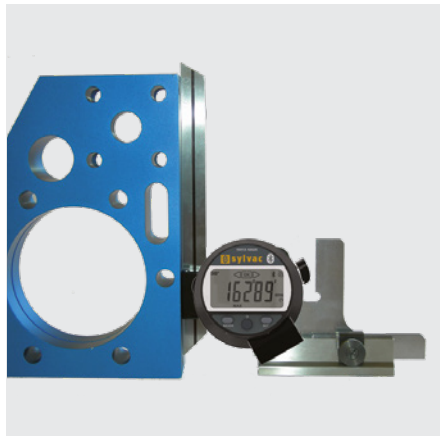
Protractor Smart

ACCESSORIES



820-2420	Scale L 200 mm
820-2430	Scale L 300 mm
820-2450	Scale L 500 mm
820-2460	Stand for vertical application and small angular measurements
820-2461	Square for small angular measurements

APPLICATIONS



Measurement with accessory type 820-2460



Standard measurement



Measurement with accessory type 820-2461

E



Depth gage

S_Depth PRO Smart

DESCRIPTION

- Depth gages equipped with a compact Ø 45 mm rotating housing and integrated Bluetooth® system
- 100 mm wide bridge with holes for the attachment of an additional wider bridge
- Flat pole 20 x 5 mm in hardened and ground stainless steel
- Cursor locking screw
- Three buttons, including the central button with selectable favourite function
- Input of the constant for cylindrical or spherical touch button (with accessory 805-6103) for groove height measurement
- Digital display resolution 0.01 mm
- Measuring range 300 and 600 mm
- Additional data output «Power», works without battery when connected via this cable
- Interchangeable measuring key M2.5
- IP54 protection



E

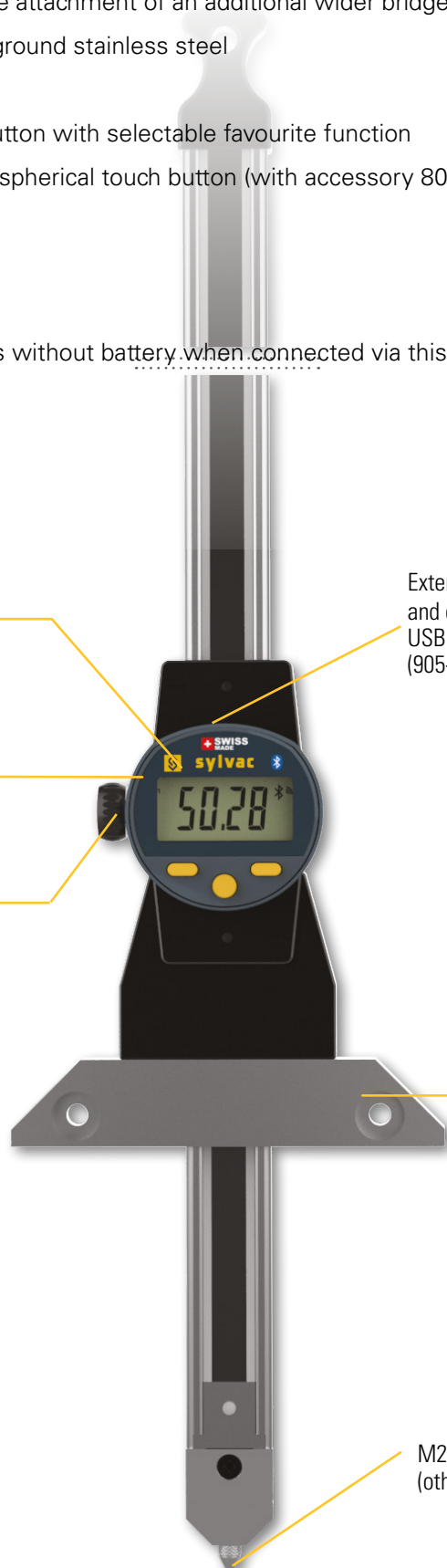
Digital LCD display with 8.2mm high digits and 270° rotating display

External power supply and output cable Power to USB (926-6821) or RS232 (905-4516)

Automatic reference switching (REFI/ REFI) by the measurement inversion

Cursor locking screw

Base 100mm with clamping system for additional bases.



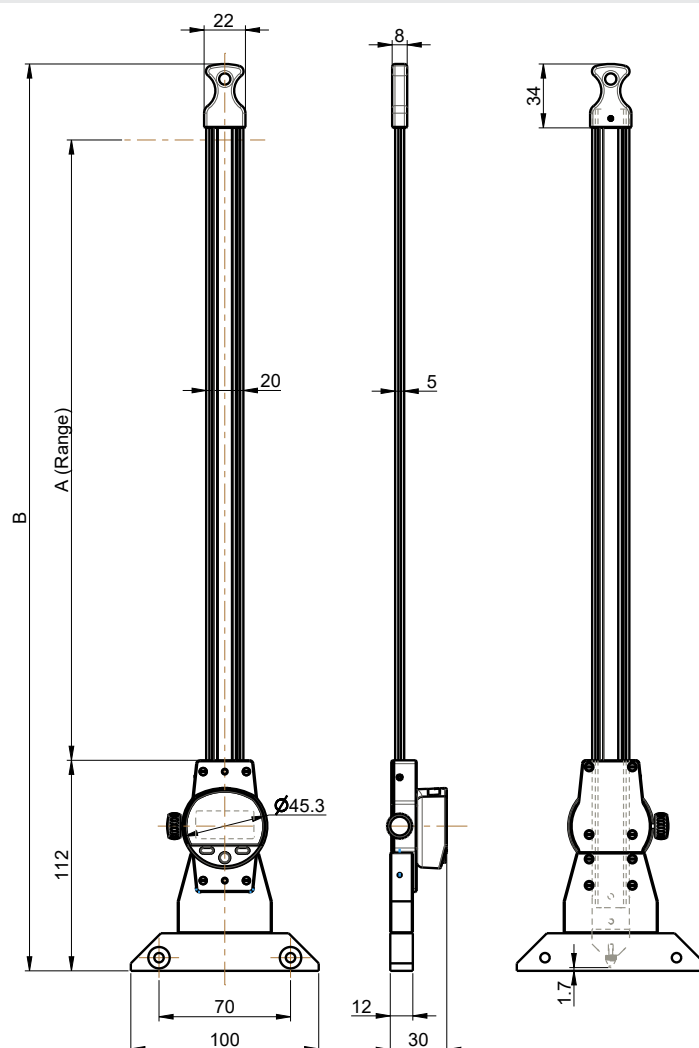
M2.5 ball key Ø2mm as standard (other keys as accessories)



Depth gage

S_Depth PRO Smart

DIMENSIONAL DRAWING



TECHNICAL SPECIFICATIONS

		805-6605	805-6606
Measuring range	mm	300	600
Max. Error	µm	30	40
Repeatability ¹⁾	µm	10	10
A	mm	335	625
B	mm	483	773
Output data	Bluetooth® wireless technology* / USB / RS232 ²⁾		
2 References			●
Automatic reference			●
PRESET function			●
Multiplication factor			●

¹⁾ ± 1 digit
²⁾ see cables chapter

*** Up to 8 instruments connected per dongle #981-7100**
 More informations on How to use Bluetooth® leaflet SYL_1401_EN_BT

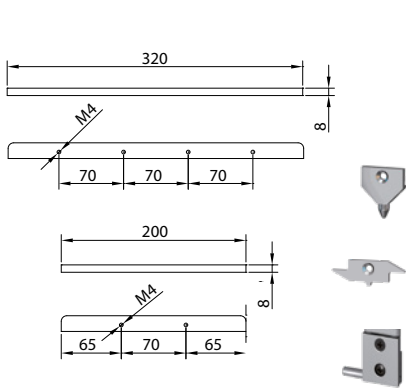
Depth gage

S_Depth PRO Smart

STANDARD DELIVERY

- Instrument according to technical specifications
- Lithium battery CR2032 included
- Quickstart
- Ball probe M2.5 Ø2mm (805-6101)

COMPATIBLE ACCESSORIES



		Length	Thickness
812-2241	Additional base	200 mm	8 mm
812-2240	Additional base	320 mm	8 mm
805-6101	Ball probe M2.5 (standard)		
805-6102	Anvils UP&DOWN		
805-6103	Anvil with pin Ø4 mm		

APPLICATIONS



Measure of an internal groove (height) thanks to the constant (automatic reference).



Depth measurement



Depth measurement in a drilling with an additional base

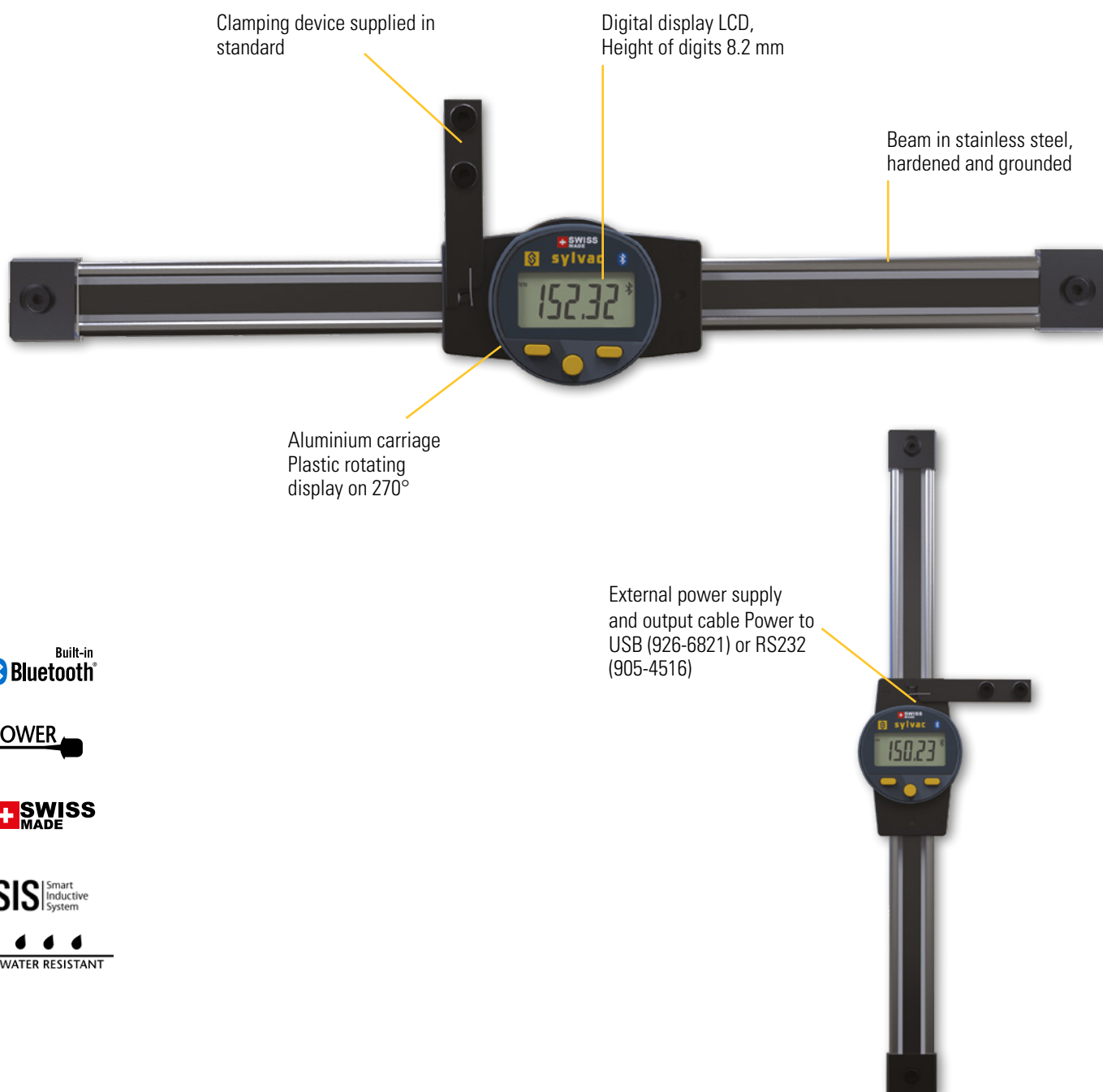


Digital scales

S_Scale EVO Smart

DESCRIPTION

- Digital scales with integrated Bluetooth® system
- Housing Ø 45 mm rotatable by 270° for horizontal or vertical use
- Flat pole 20 x 5 mm in hardened and ground stainless steel
- Digital display resolution 0.01 mm
- Three buttons, including the central button with selectable favourite function
- Supplied with a drive bar that can be positioned at the top or bottom of the display.
- Measuring range 150, 200, 300 and 600 mm
- Additional data output «Power», works without battery when connected via this cable
- IP54 protection

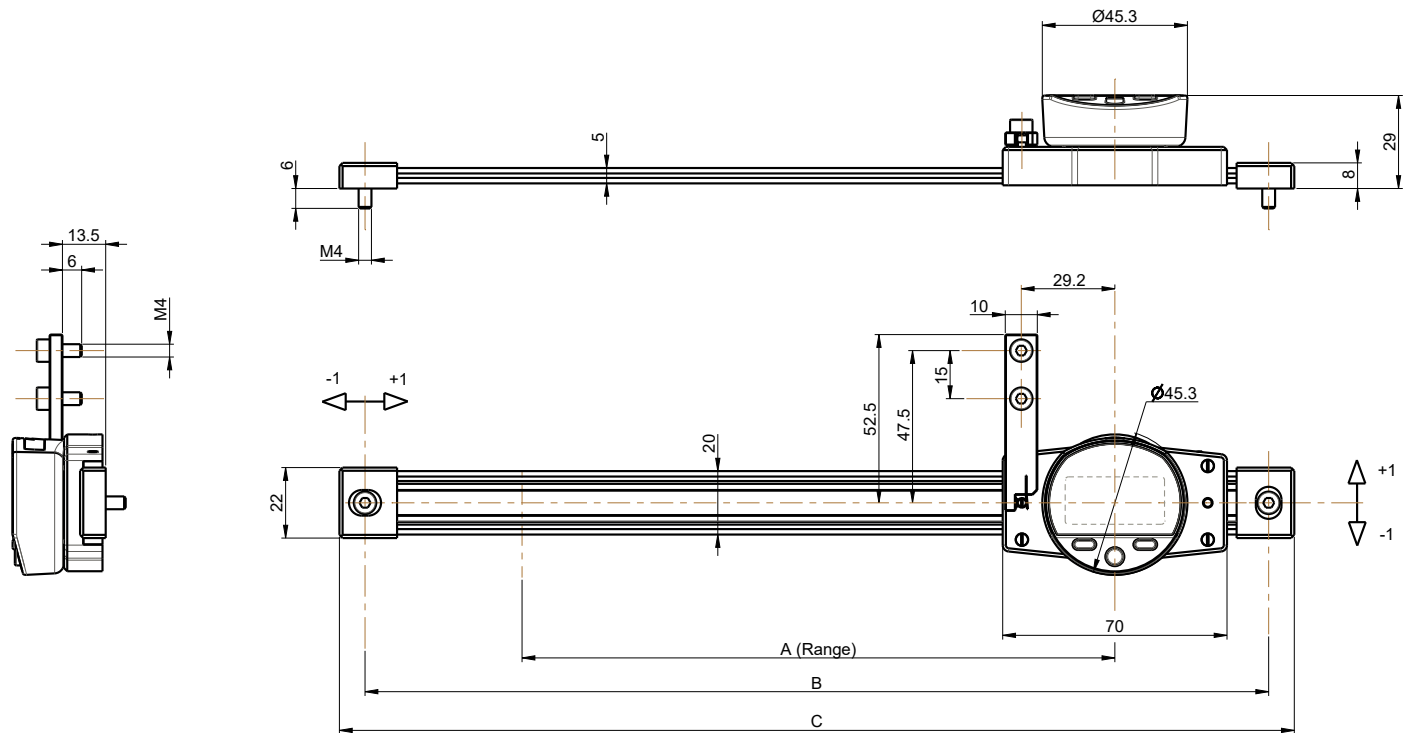


E

Digital scales

S_Scale EVO Smart

DIMENSIONAL DRAWINGS



TECHNICAL SPECIFICATIONS

		816-1615	816-1620	816-1630	816-1660
Measuring range	mm	150	200	300	600
Type		H / V	H / V	H / V	H / V
Max. Error	µm	20	20	30	30
Repeatability ¹⁾	µm	10	10	10	10
Resolution mm		0.01	0.01	0.01	0.01
A	mm	185	235	335	665
B	mm	282	332	432	762
C	mm	298	348	448	778
Output data	Bluetooth [®] wireless technology* / USB / RS232 ²⁾				
Selection of measuring direction	●				
PRESET function	●				
2 references	●				

¹⁾ ± 1 digit

²⁾ see cables chapter

*** Up to 8 instruments connected per dongle #981-7100**
More informations on How to use Bluetooth[®] leaflet SYL_1401_EN_BT