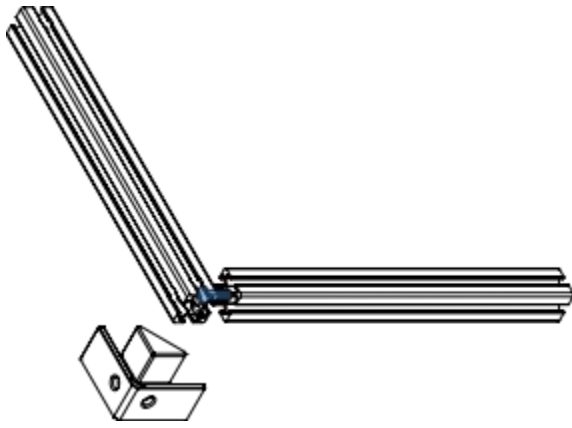
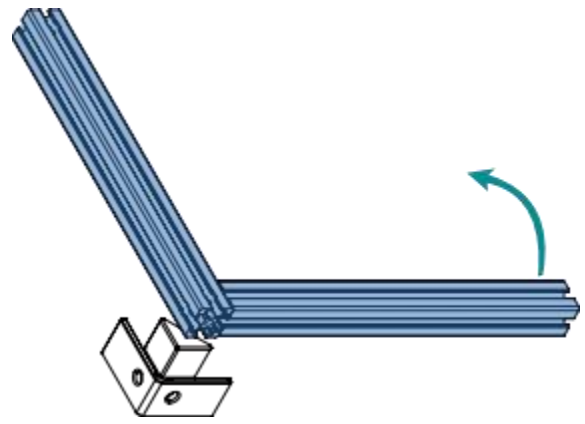


USAGE OF RIGHT-ANGLE RULER



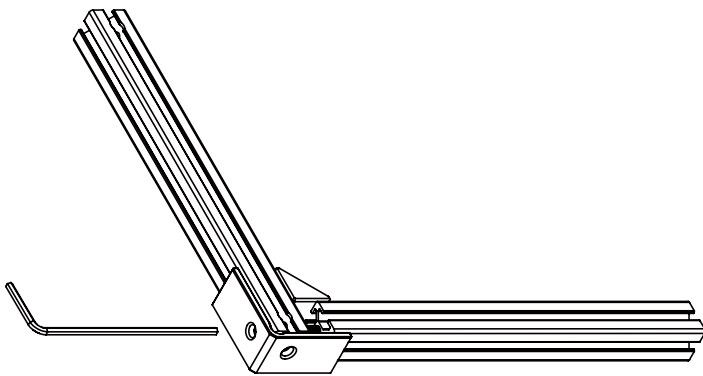
1 ASSEMBLE THE TWO EXTRUSIONS

Screw the screw into the extrusion, and slide the screw cap into the slot on the other extrusion.



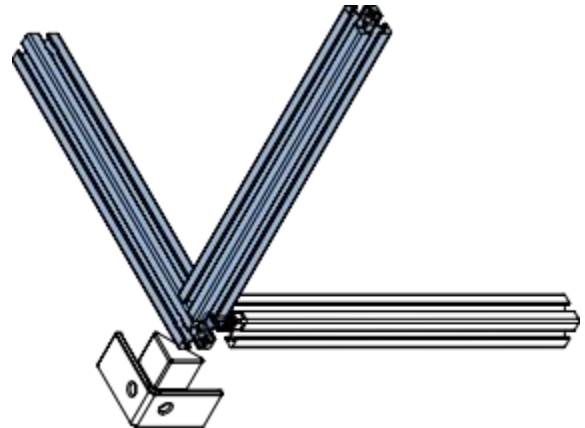
4 PREPARE FOR THE THIRD EXTRUSION

Taking out the right-angle ruler, rotate the assembled extrusions 90 degrees.



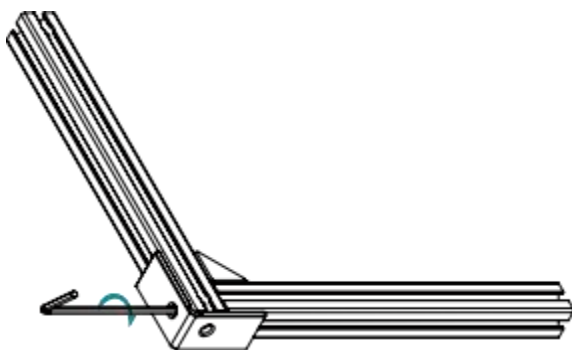
2 TO ENSURE 90 DEGREE ACCURACY

Put in the right-angle ruler.



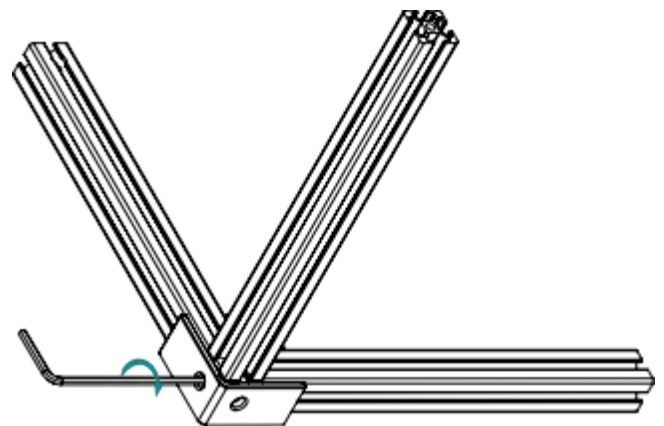
5 TO ENSURE 90 DEGREE ACCURACY

Screw the screw into the third extrusion, and slide the screw cap into the slot on the first extrusion. Put in the right-angle ruler again.



3 FIXING

Follow the arrow in the figure below to tighten the screw.



6 FIXING

Follow the arrow in the figure below to tighten the screw.