



SMSEagle

Antenna 5G/4G/3G 4in1

Tech Datasheet

Reference: ACCANTENNA5G2M



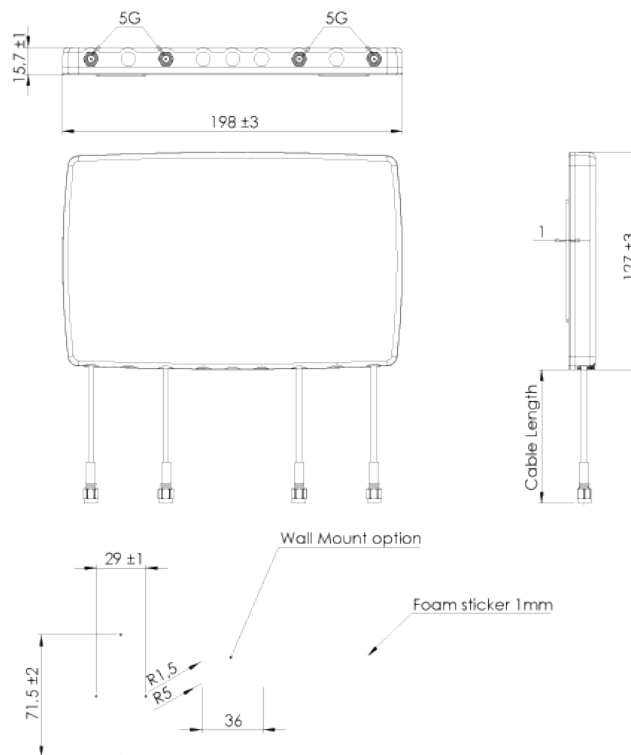
PRODUCT DESCRIPTION

5G/4G/3G 4in1 antenna suitable for places with low 3G/4G/5G signal reception.

SPECIFICATION

	Connection 1	Connection 2	Connection 3	Connection 4
Frequency range: (MHz)	617-960, 1427-2690, 3300-5000, 5150-5925	617-960, 1427-2690, 3300-5000, 5150-5925	617-960, 1427-2690, 3300-5000, 5150-5925	617-960, 1427-2690, 3300-5000, 5150-5925
Radiation Pattern:	Omni-Directional	Omni-Directional	Omni-Directional	Omni-Directional
Polarization:	Linear	Linear	Linear	Linear
Gain (dBi):	~-3.1, ~-4.5, ~-2.0, ~-0.9	~-3.3, ~-4.1, ~-3.2, ~-2.9	~-3.5, ~-3.4, ~-2.6, ~-3.1	~-3.4, ~-4.5, ~-2.5, ~-1.2
VSWR:	<1.8:1	<1.5:1	<1.7:1	<1.7:1
Impedance:	50 Ω	50 Ω	50 Ω	50 Ω
Power handling:	25 W max.	25 W max.	25 W max.	25 W max.

DRAWING



MECHANICAL SPECIFICATION

Attachment manner:	Adhesive Mount
Available connector:	SMA (m)
Cable:	D302 3m
Operating temperature:	-40 °C - +85 °C
Weight:	0,4kg
Dimension:	198 x 127 x 15.7 mm



Ul. Piątkowska 163, 60-650
Poznań, Poland | Europe

M +48 61 6713 413

E hello@smseagle.eu

www.smseagle.eu