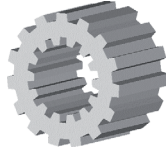


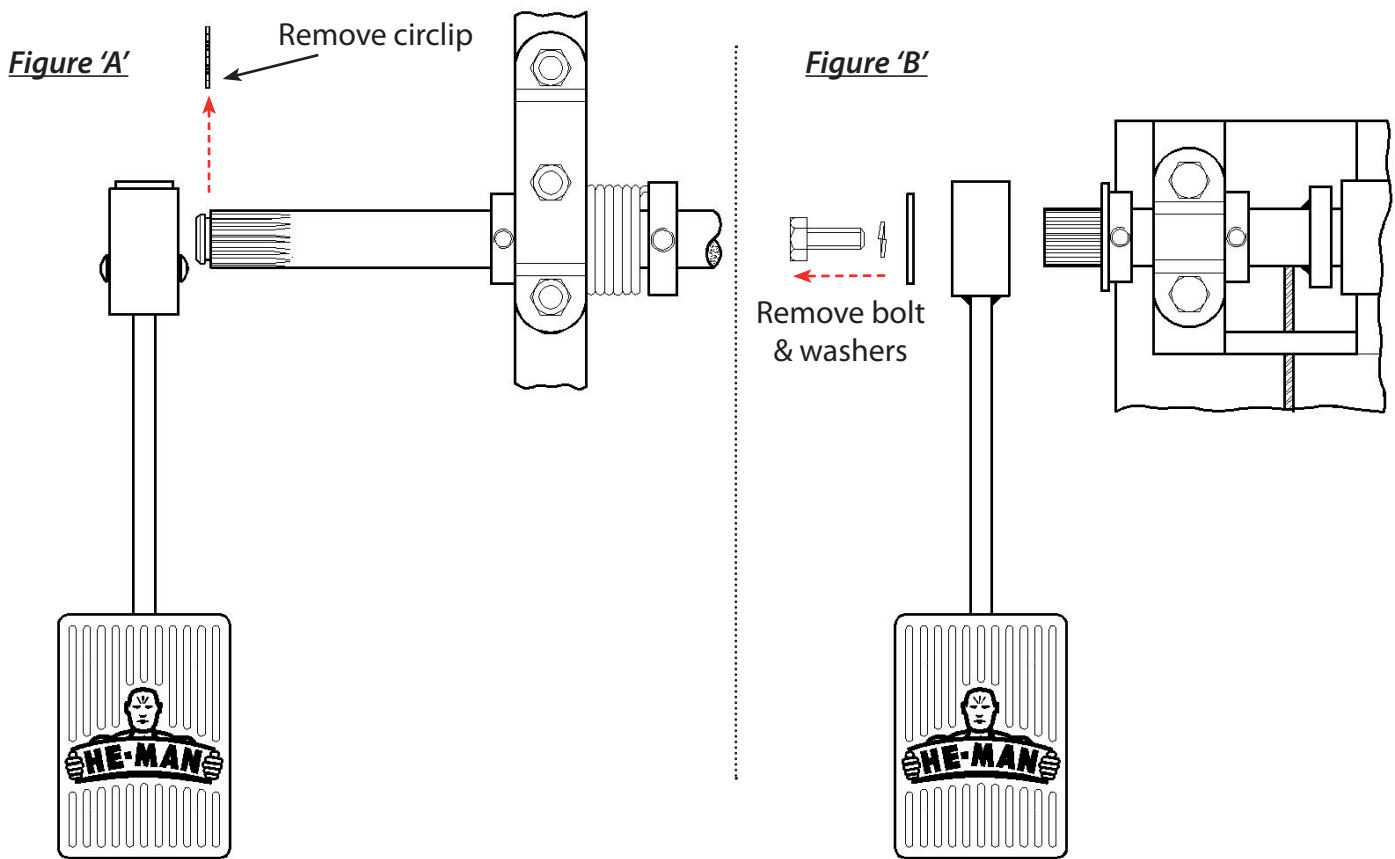
Registered Office: He-Man Works, Cable St, Southampton, Hampshire, SO14 5AR

Company Registration: 255130 England VAT Registration: 844275123

Tel 023 8022 6952

He-ManDualControls.co.uk

Once a dual control system has been installed (either rod or cable) the dual pedals will need adjustment to an appropriate height in order to operate correctly, to achieve ***fine*** adjustment the pedals first need to be removed together with the internal splined collar  from the rod.



If your system has pedals fitted with a latch system (Figure 'A') first remove the circlip from the rod & slide off the pedal. If the pedals on your system are bolted on (Figure 'B'), remove the bolt & washers before sliding the pedal off with the internal splined collar still in the end of the pedal.

To achieve fine adjustment of the pedal height (approximately 1° intervals) the internal splined collar must be rotated within the pedal. If the pedal has a latch fitted it will be necessary to push down on the latch in order to slide the splined collar out, see Figure 'C'.

Figure 'C'

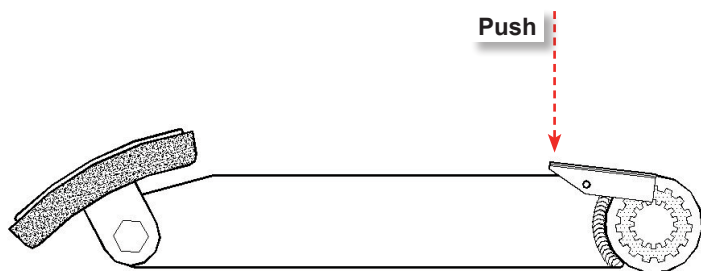
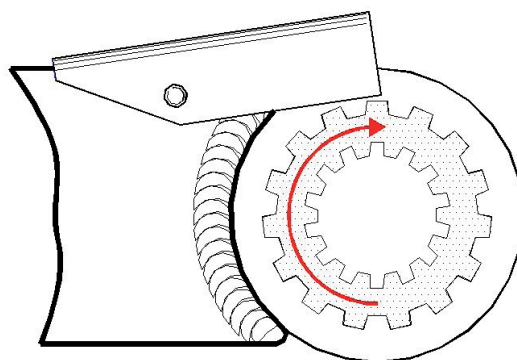
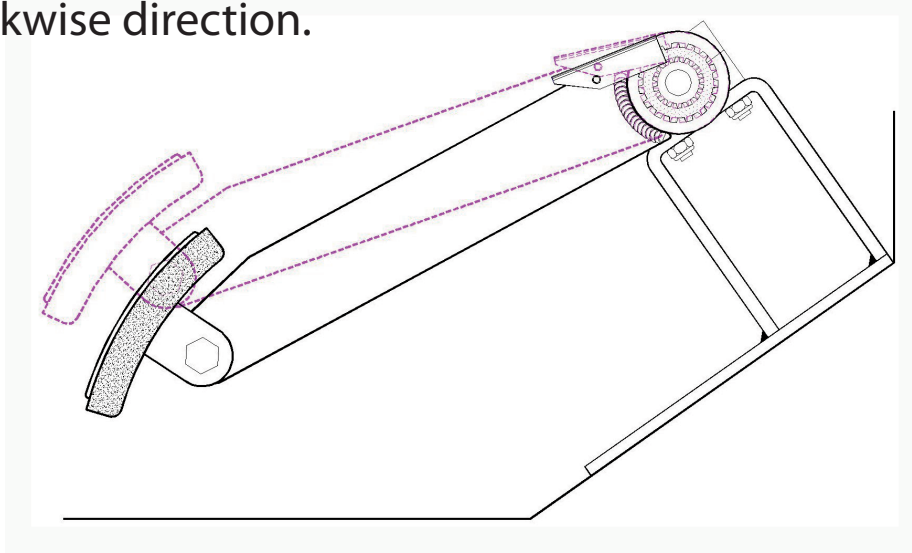


Figure 'D'



To **raise** the height of the pedal rotate the splined collar 1 or 2 teeth in a clockwise direction as figure 'D', re-fit the pedal to check the travel & operation of the dual control pedals. Continue adjusting the pedal height with this method until the desired height is achieved.

In order to lower the pedal height simply rotate the internal splined collar in an anti-clockwise direction.



With the height adjustment complete re-secure the pedals to the rods. If the pedals are removed from the rods leaving the internal splined collar still on the rod, rotating the pedal 1 tooth up or down will result in an adjustment angle of approximately 25°.