

## 1 Cautions for Safety (Please observe the following)

※ The following symbols are used to indicate important safety instructions for the use of the product.

	<b>Danger</b>	Indicates an imminently hazardous situation which, if not avoided, will result in death or serious injury.
	<b>Warning</b>	Indicates dangerous situations where the user could suffer death or serious injury if this product is used incorrectly.
	<b>Do not dismantle</b>	Indicates not to dismantle this product.
	<b>Observe strictly</b>	Indicates to observe the following precaution before using this product.

### Attention

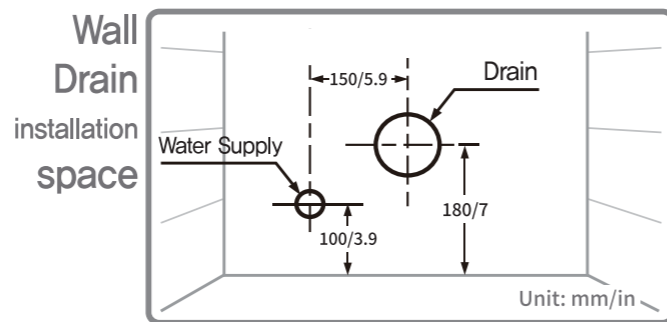
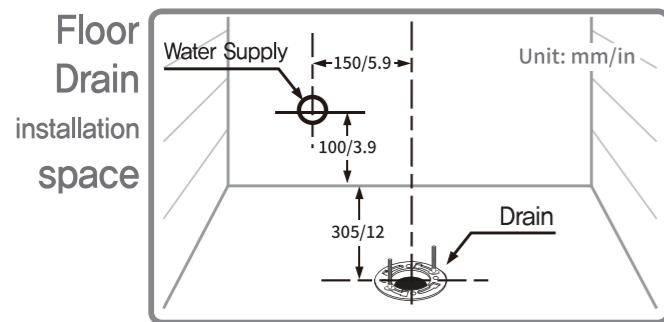
Prohibited Do not step on the seat cover, seat, main body or place heavy objects on it.

Observe strictly Use only specified materials for installation.

## 2 Cautions before Installation

### 1 Installation Space

- Secure enough installation space in the bathroom and check whether it disturbs the bathroom door.
- Check whether the water supply pipe and drain pipe are in the required position before installation.
- Secure water outlet at least 100mm away from the floor.
- It can cause the discoloration of wall.

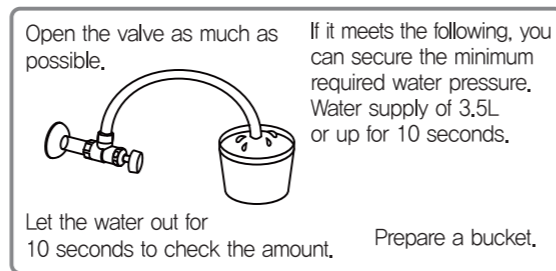


### 2 Water Pressure

- Minimum 1.5 kgf/cm<sup>2</sup> (0.15 MPa) water pressure is required. If the pressure is not secured, please be aware that the flushing may not work properly to discharge the dirt.
- Even if other modifiers are used at the same time, it still requires more than the minimum required water pressure. The maximum water pressure is 7.5 kgf/cm<sup>2</sup> (0.75 MPa).

#### How to check the minimum water pressure

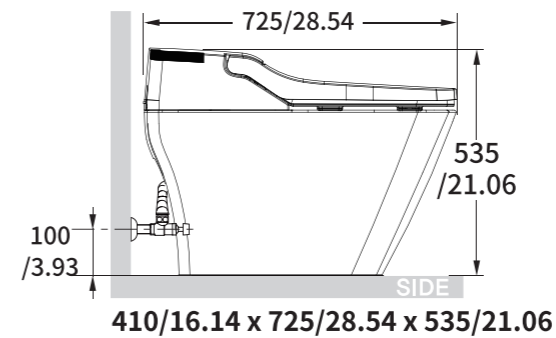
If you do not have the pressure meter, check the pressure as illustrated on the right.



## 3 Drawing for Installation (unit : mm)

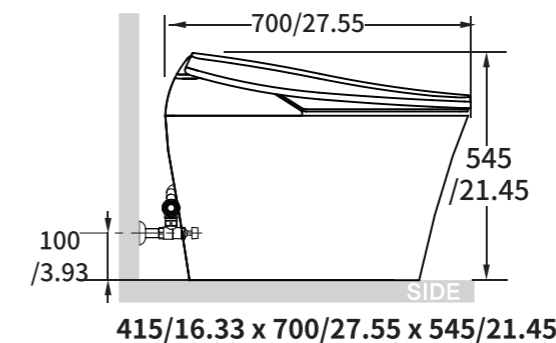
Remote control Type

- TCB-090SA
- TCB-090S
- TCB-090SA (P)
- TCB-090S (P)



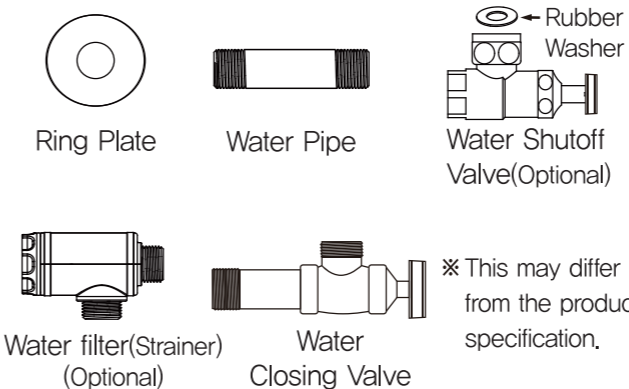
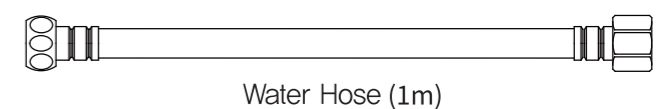
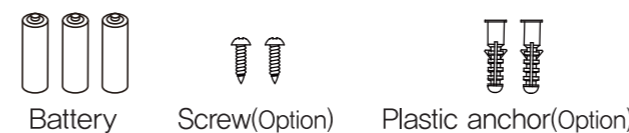
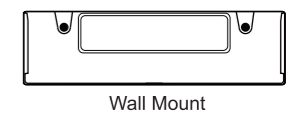
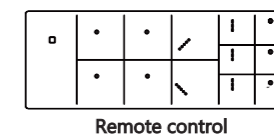
Remote control Type

- TCB-9100WA
- TCB-9100GA
- TCB-9100W
- TCB-9100G



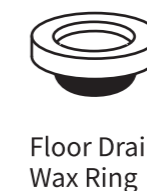
## 3 Accessories (This may differ from the product specification.)

Remote control & Bracket (double-sided tape is included)  
Each product may use a different remote controller.



#### Drain parts

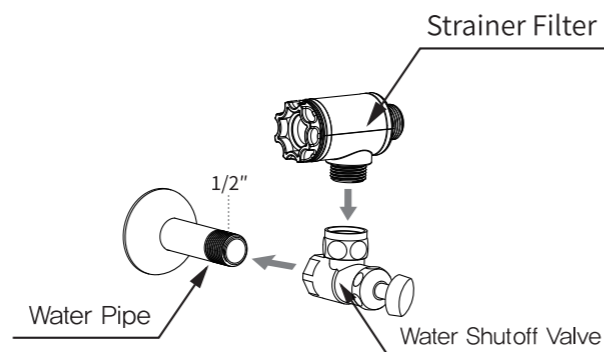
※ ①, ② one of these will be included.



#### 4 Installation (This may differ from the product specification.)

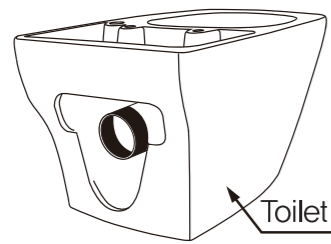
##### 1 Installation Accessories

1. Close the water gauge.
2. Remove dust and sand in the water inlet when installing the shutoff valve.
3. Wind Teflon tape around the water pipe.
4. Connect the pipe with the shutoff valve.
5. Connect the Strainer Filter.

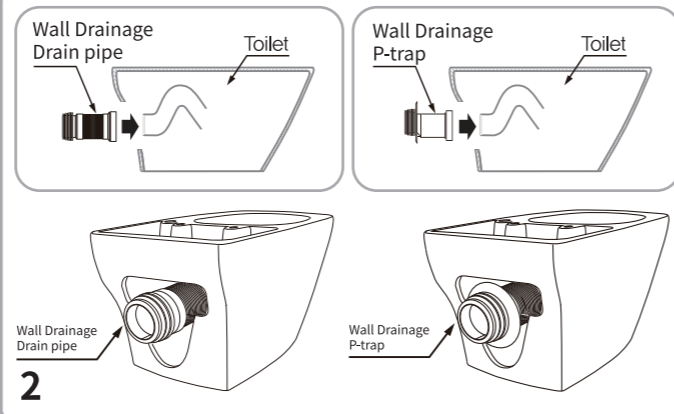


##### 2 How to install the ceramic (Wall drain)

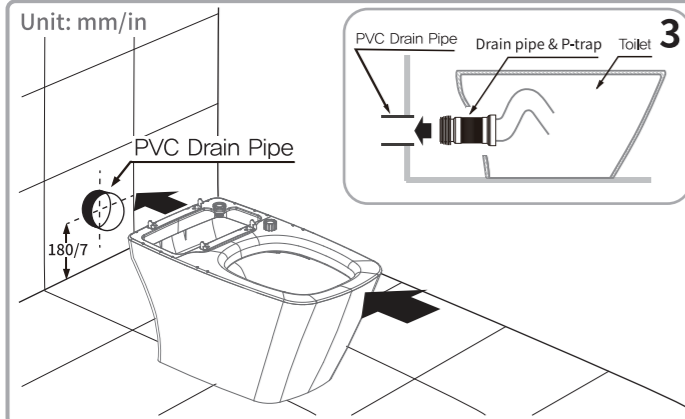
###### ▼ Wall Drain Installation (TCB-090SA(P) / TCB-090S(P))



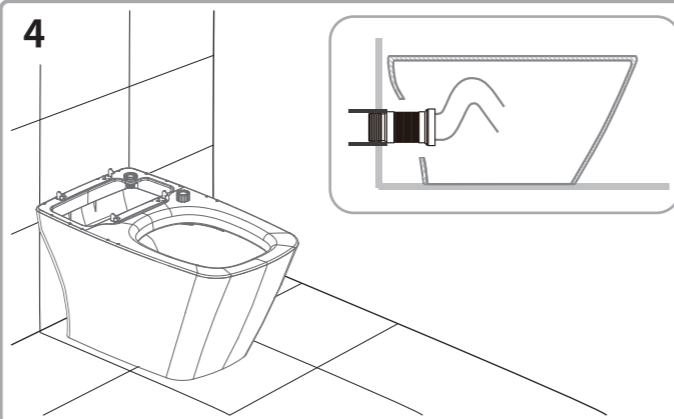
1



2

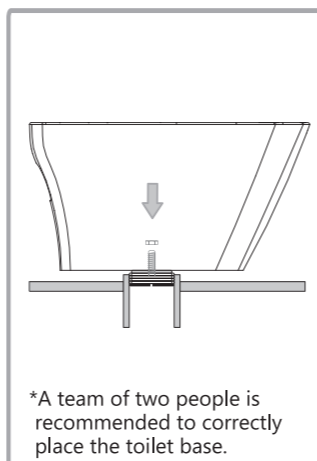
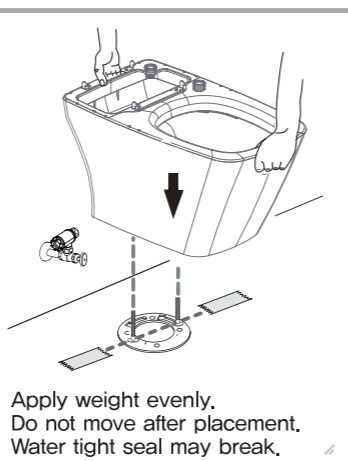
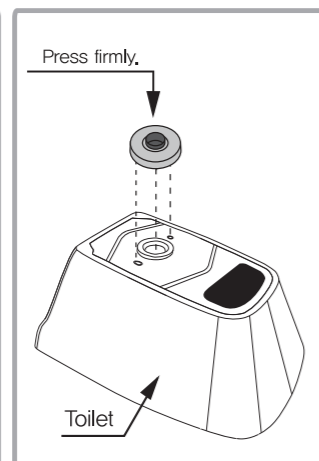
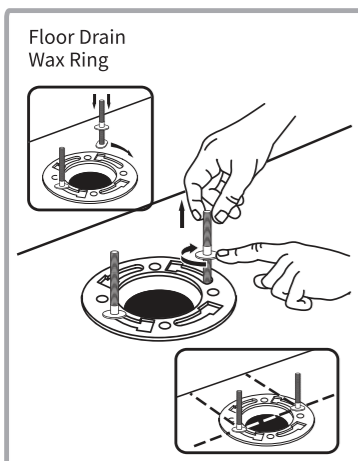


3

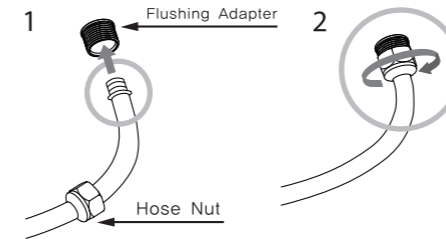


4

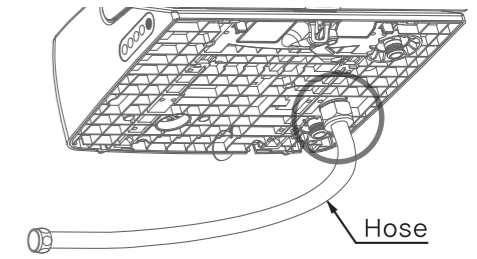
##### 2-1 How to install the Ceramic (Floor Drain)



##### 3 Connect Hose

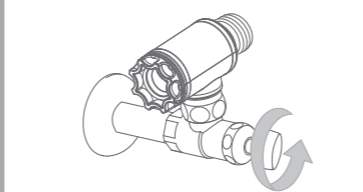
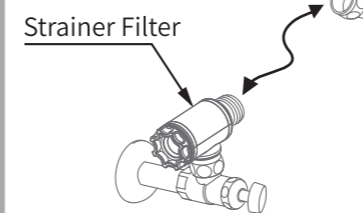
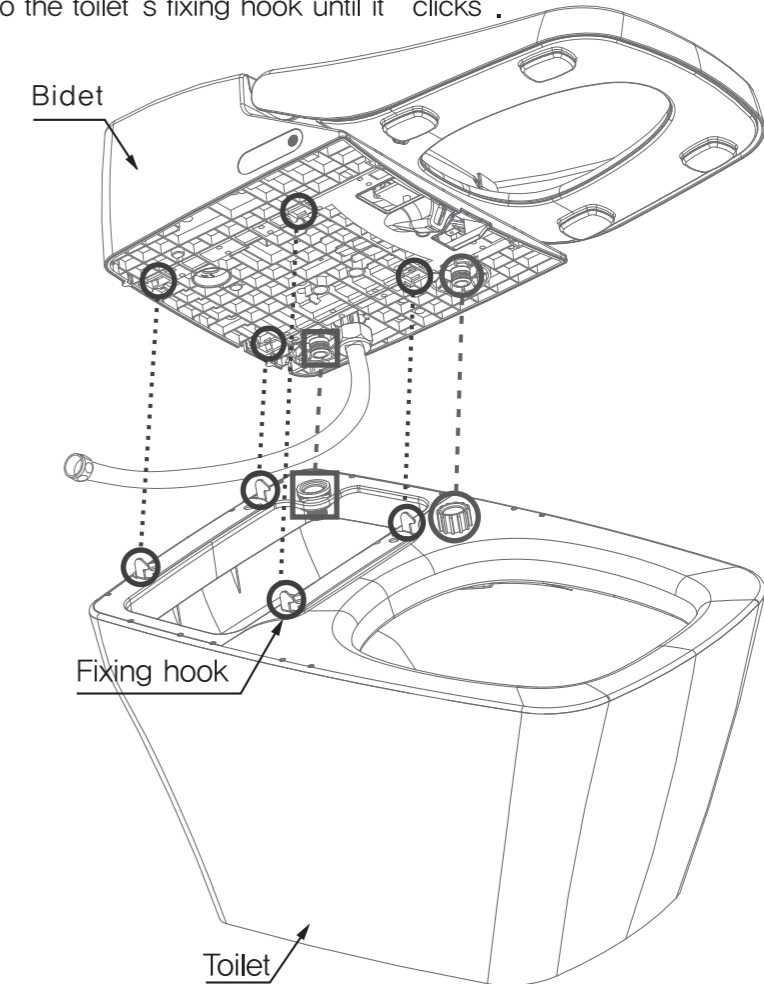
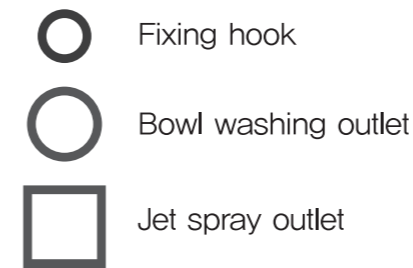


1. Fix the hose to the flushing adapter first.
2. Turn the nut clockwise to connect the hose.



##### 4 Connect Bidet to Toilet

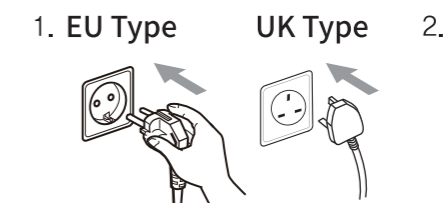
1. Assemble the toilet with bidet, jet spray outlet and bowl washing outlet.
2. Insert the hose into the filter.
3. Insert bidet's fixing hook onto the toilet's fixing hook until it "clicks".



- Open the water shutoff valve.

##### 5 Connect Power

1. Insert the power plug into the outlet.
2. Press the Flush button.
  - Water will fill the ceramic bowl.



※ The water may overflow out of the rim when cleaning the bowl in the region with high water pressure.

Using a screwdriver, turn the shutoff valve clockwise to reduce the water pressure.

