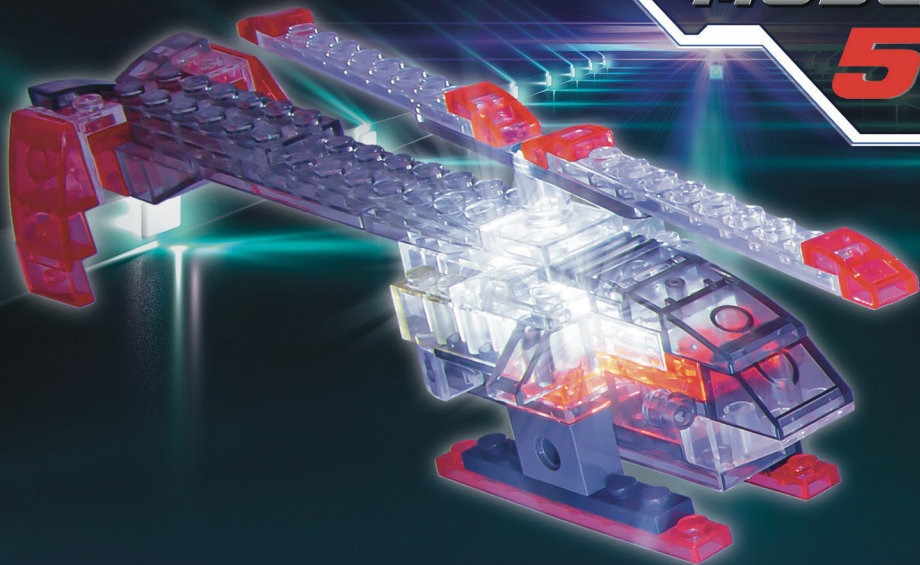


LASER PEGS

**MULTI-
MODELS**

5 IN 1



www.LaserPegs.com/52008/L.P.A.H.-1

x2
346-F44084

x8
40006-032C

x2
40008-032C

x1
10012-032C

x2
30012-032C

x2
10022-032C

x2
40002-032C

x2
10013-032C

x2
10014-032C

x5
10024-032C

x4
10016-032C

x6
10018-032C

x2
90003-401C

x2
328-G7124

x2
324-G7124

x3
LB101-Clear

x2
10016-Clear

x2
10110-Clear

x2
10028-Clear

x1
10048-Clear

x1
10410-Clear

x4
40006-4C

x2
40008-4C

x6
90008-4C

x2
40002-4C

x2
30014-4C

x8
40004-4C

x2
40005-4C

x2
80005-4C

x2
10003-4C

x2
90002-4C

x2
50002-Silver C

x2
10012-4C

x2
30012-4C

x10
10022-4C

x3
10023-4C

x1
10014-4C

x6
10024-4C

x7
10026-4C

x7
10028-4C

x3
70000-6C2X

x3
70011-6C2X

x2
40010-10C

x2
40003-10C

x2
40004-10C

x2
40005-10C

x4
40006-10C

x4
40012-10C

x1
40008-10C

x2
80002-10C

x2
10010-10C

x2
10013-10C

x1
10014-10C

x1
30014-10C

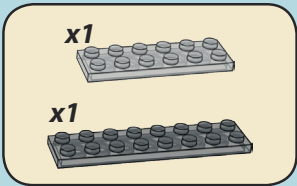
x1
10024-10C

x6
10016-10C

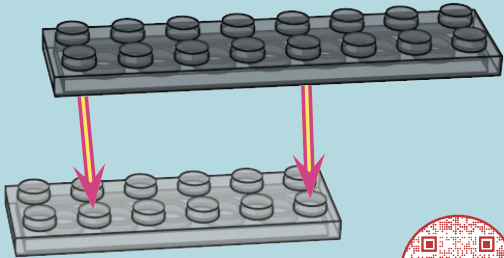
x4
10016-6C2X

x1
10028-10C

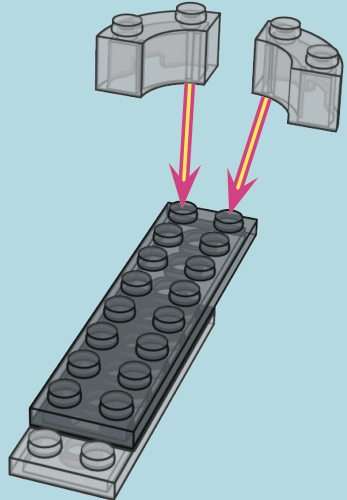
x1
10212-Silver C



1



2

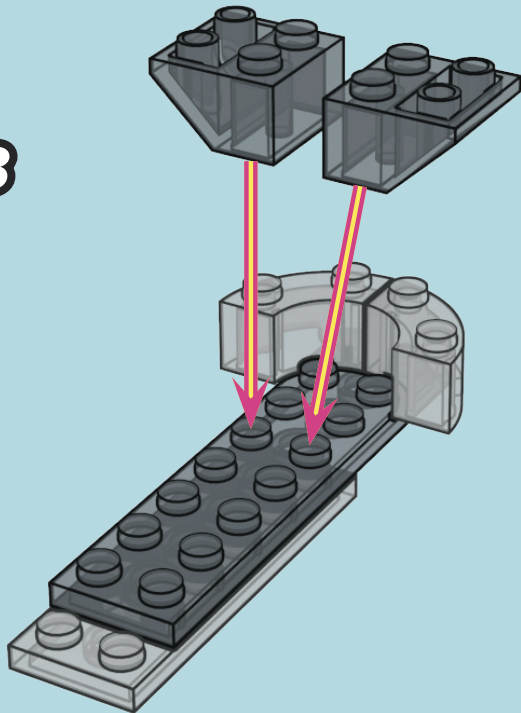


Scan for additional model instructions
Rechercher des instructions supplémentaires sur le modèle

x2



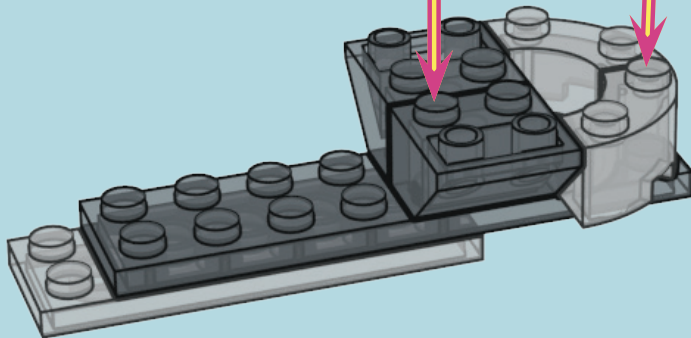
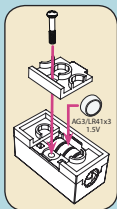
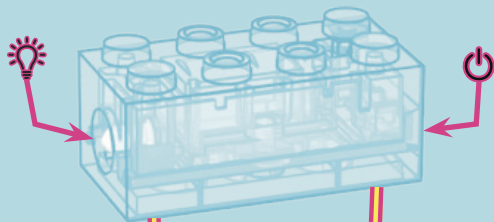
3

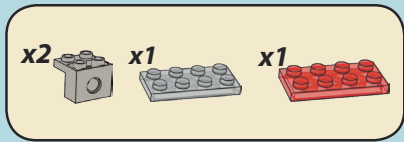


x1

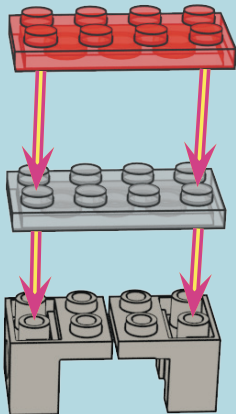


4

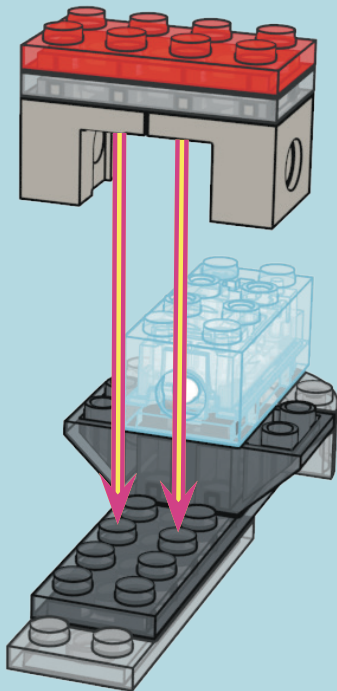




5



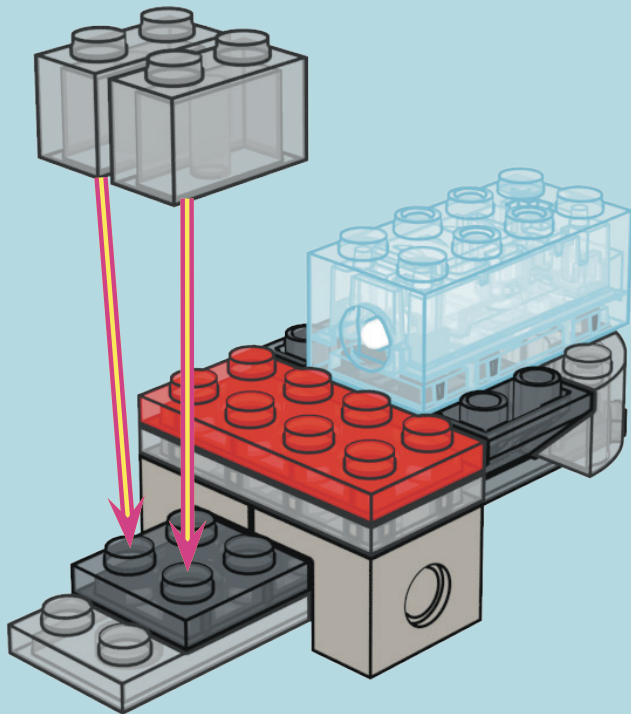
6



x2



7



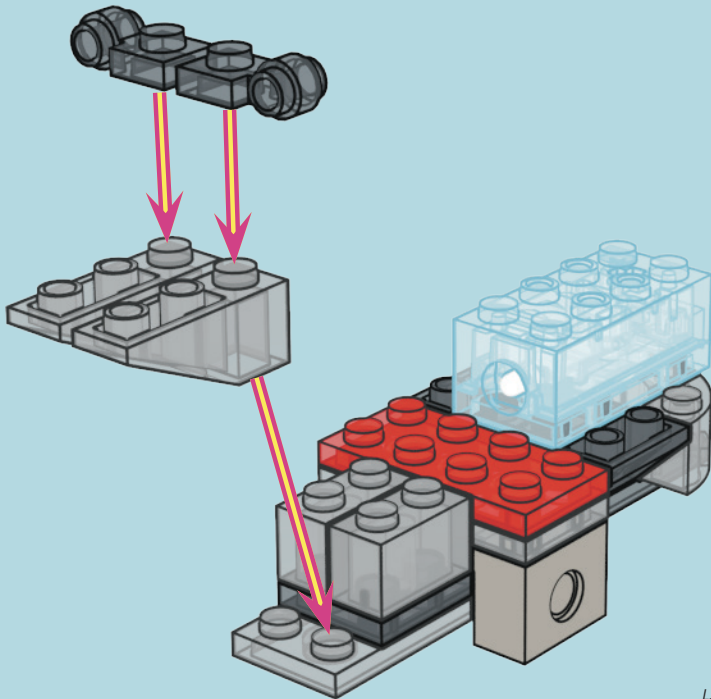
x2



x2



8



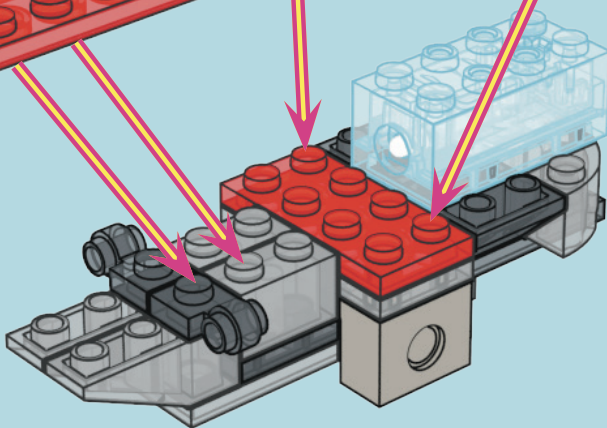
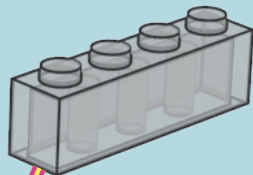
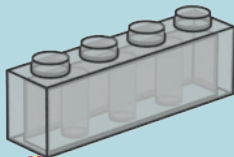
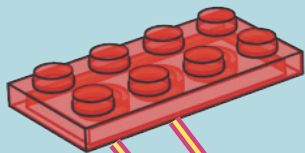
x1



x2



9



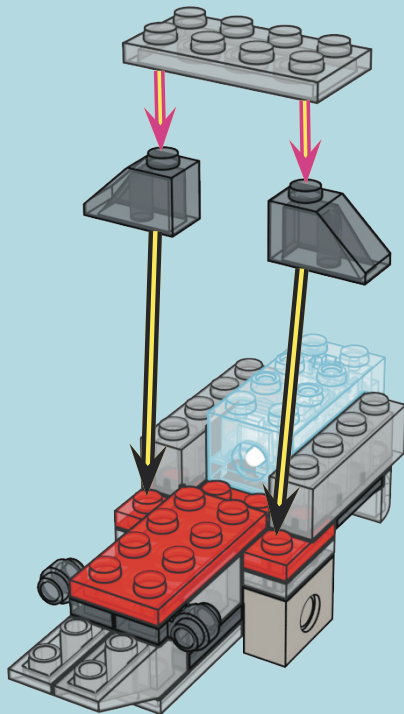
x2



x1



10



x1



x1



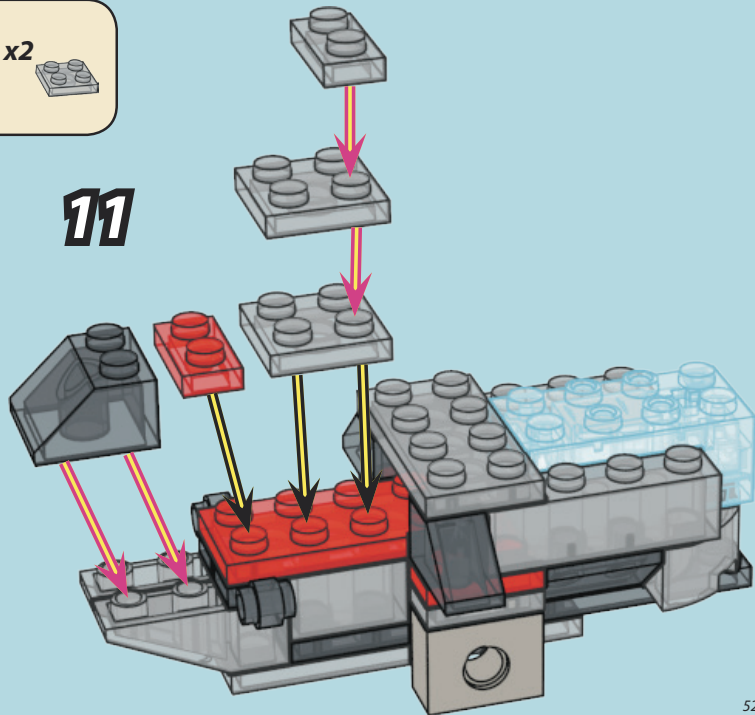
x1



x2



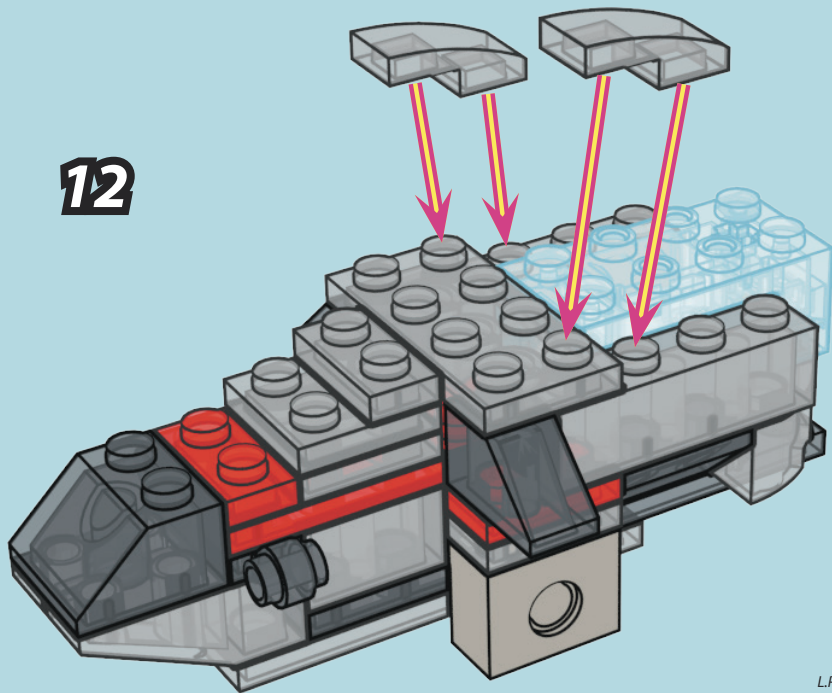
11



x2



12



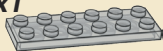
x1



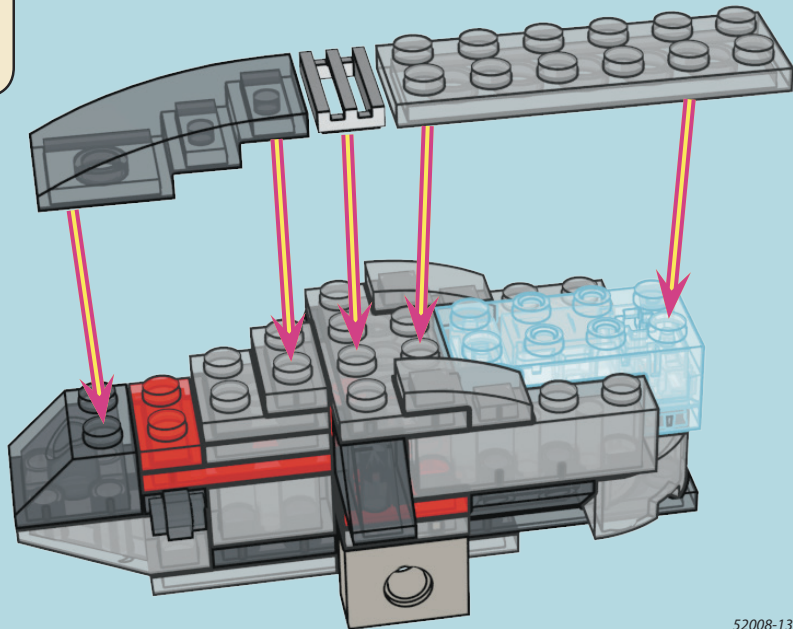
x1

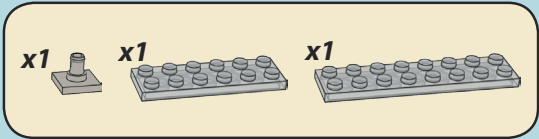


x1

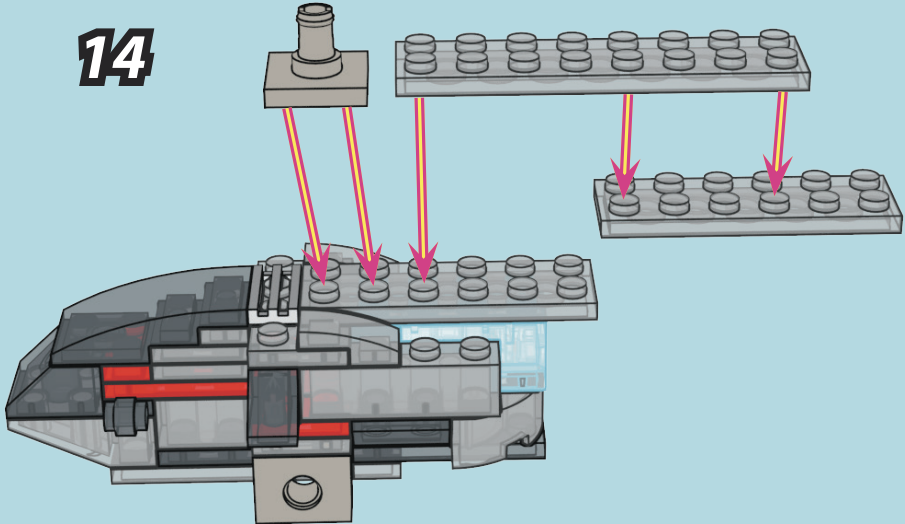


13

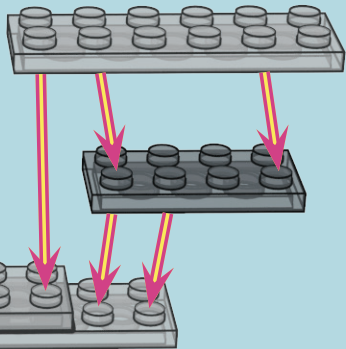
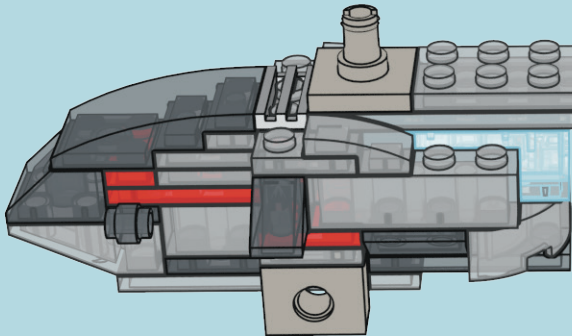
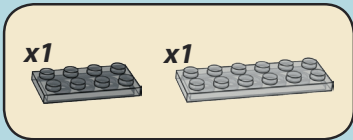


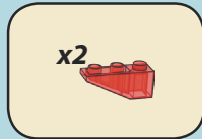
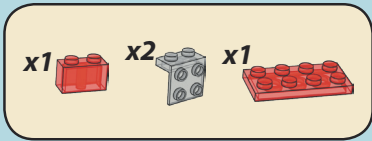


14

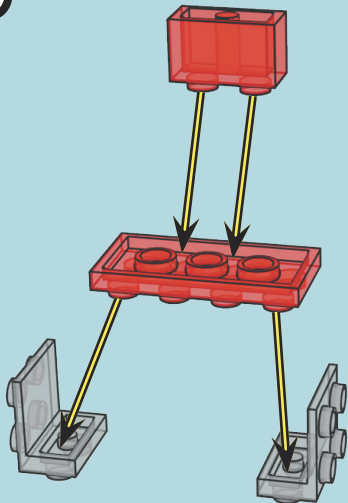


15



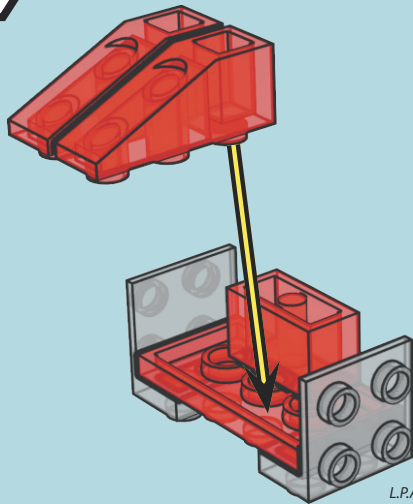


16

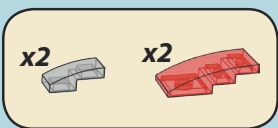


52008-16

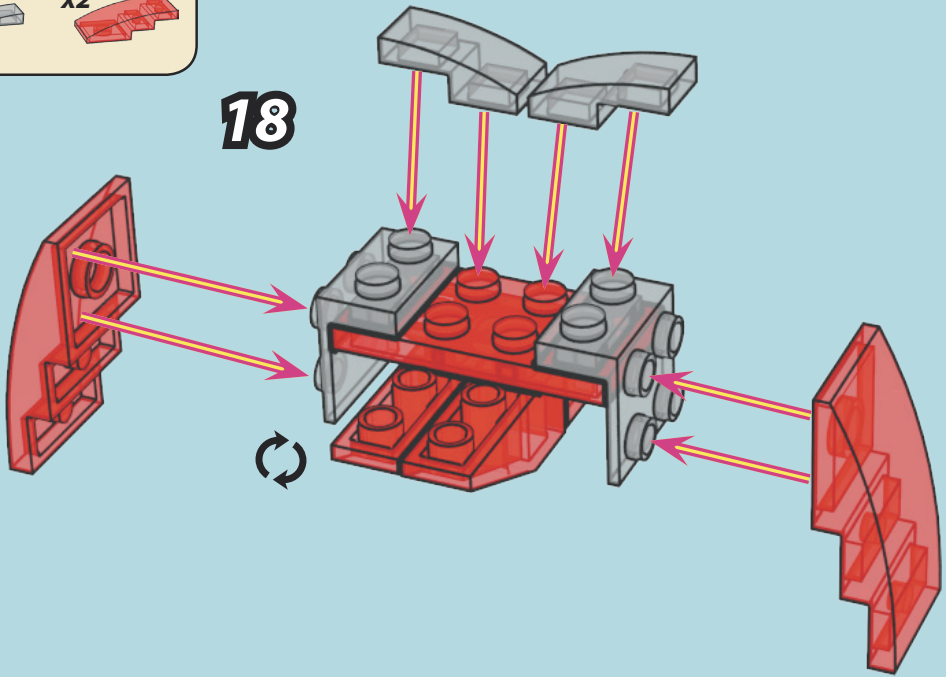
17



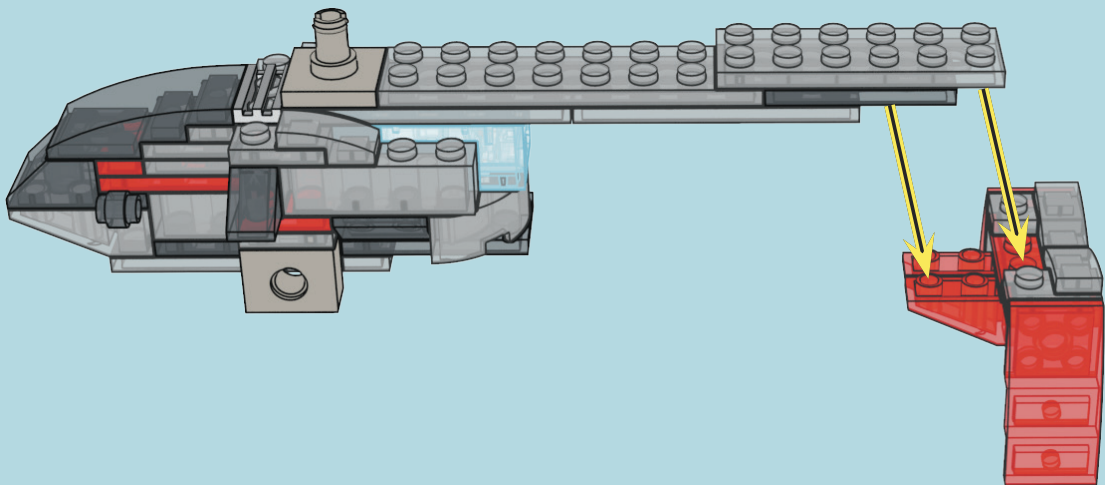
L.P.A.H.-1

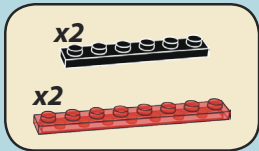


18

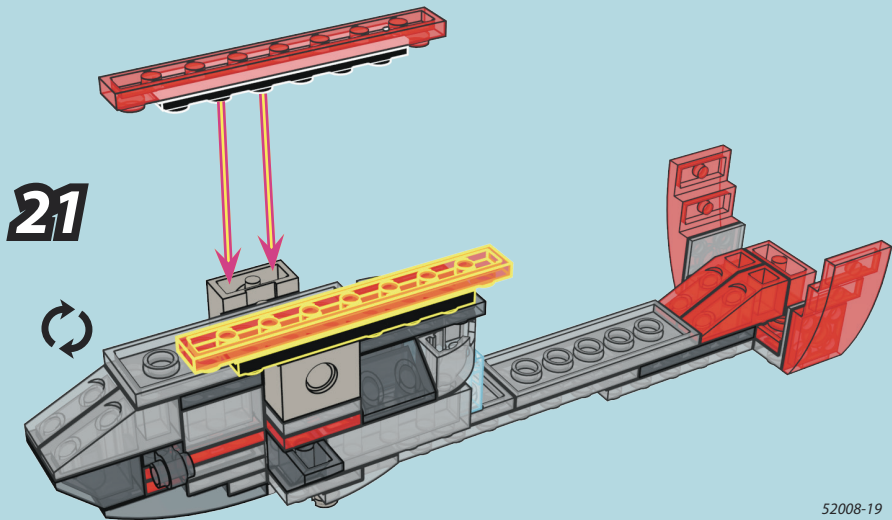
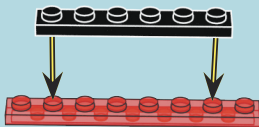


19

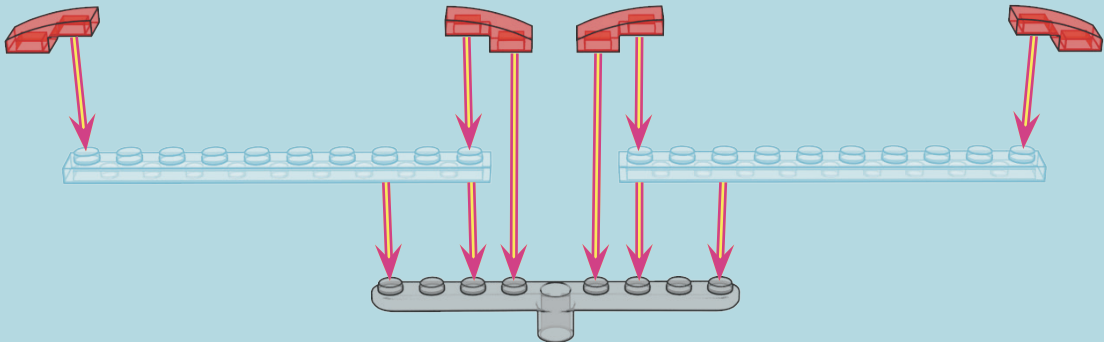
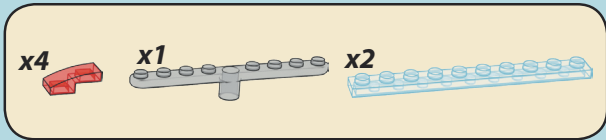




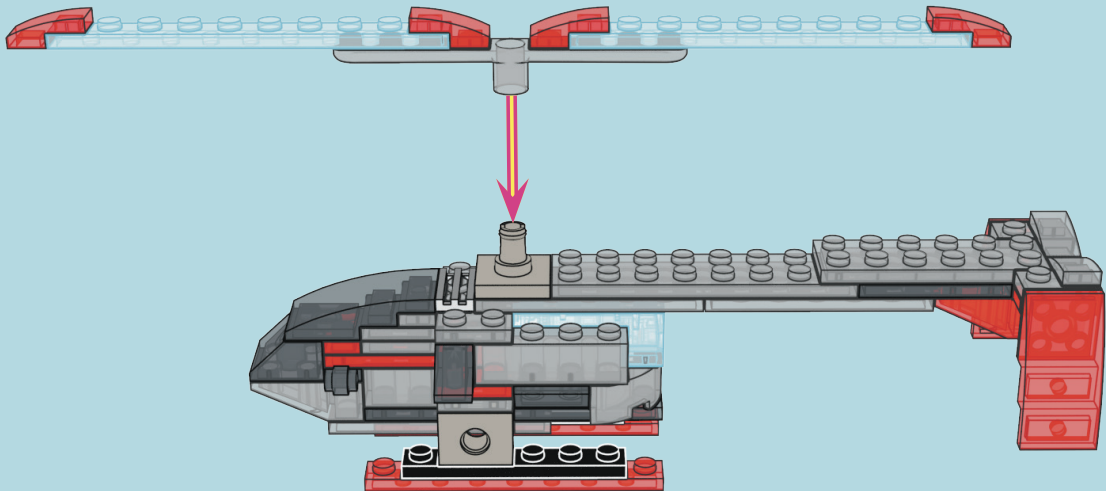
20
x2

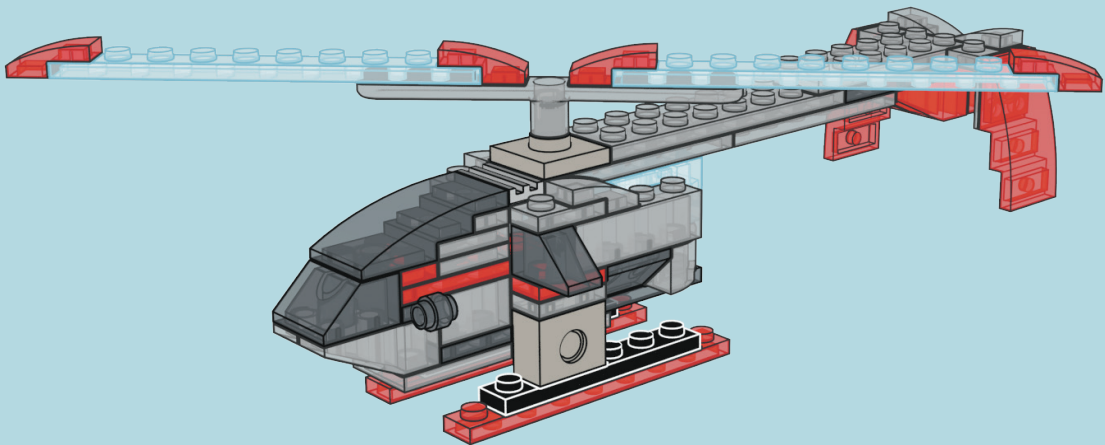


22



23





LASER PEGS

**MULTI-
MODELS**
5 IN 1



**WARTHOG
PHACOCHÈRE**



CHINOOK



**BI-PLANE
BIPLAN**



L.P.A.H-1

5 WAYS TO BUILD!
**5 OPTIONS
DECONSTRUCTION!**



**VTOL
SPARHAWK
ÉPERVIER**

www.neverwrongtoys.com
Copyright 2021 © All Rights Reserved
U.S. Patent No. 8,864,546 & Other Patents Pending.

All additional model instructions can be viewed online at www.LaserPegs.com
Toutes les instructions supplémentaires du modèle peuvent être consultées en ligne sur www.LaserPegs.com

**NEVER
WRONG**
Toys & Games