

x2  
40006-299C

x1  
347-K2048

x2  
50012-299C

x1  
885-K2048

x1  
90018-299C

x2  
154-K2048

x2  
10012-299C

x1  
320-74894

x1  
10014-299C

x2  
76-74894

x1  
10016-299C

x1  
50002-Silver C

x4  
10022-299C

x1  
10012-10C

x2  
10023-299C

x1  
30012-10C

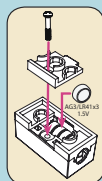
x1  
40003-299C

x1  
40008-10C

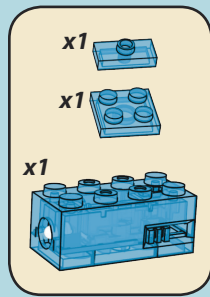
x3  
40002-299C

x2  
825-K2048

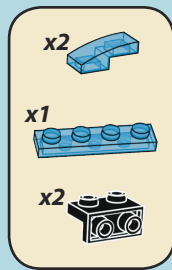
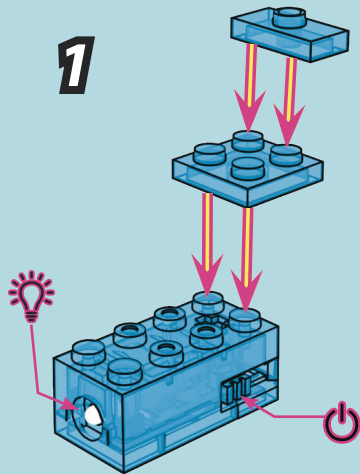
x1  
LB103-299C



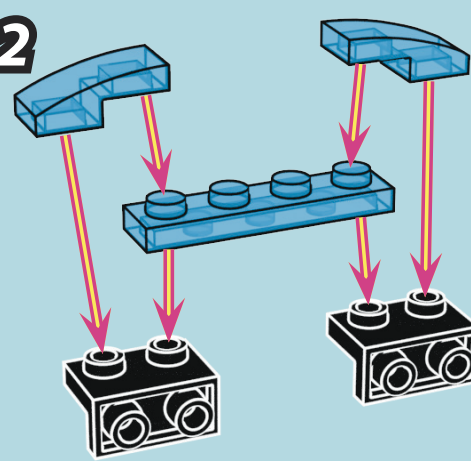
x1  
697-K2048



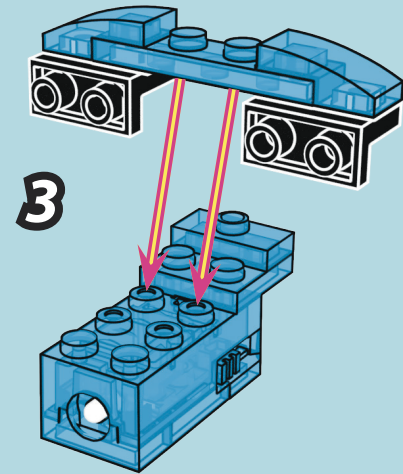
1



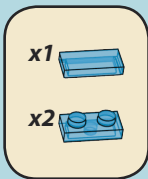
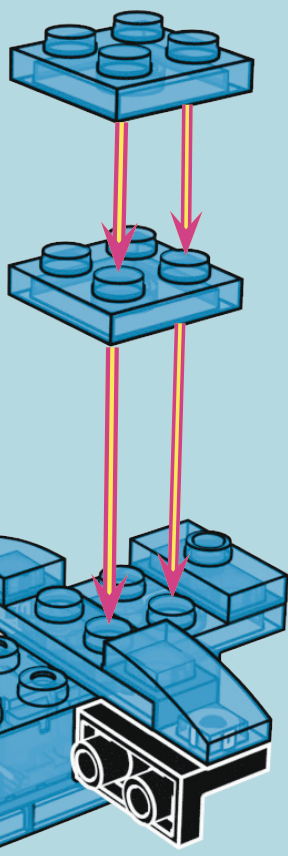
2



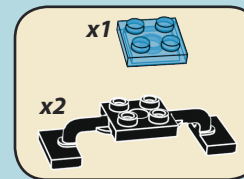
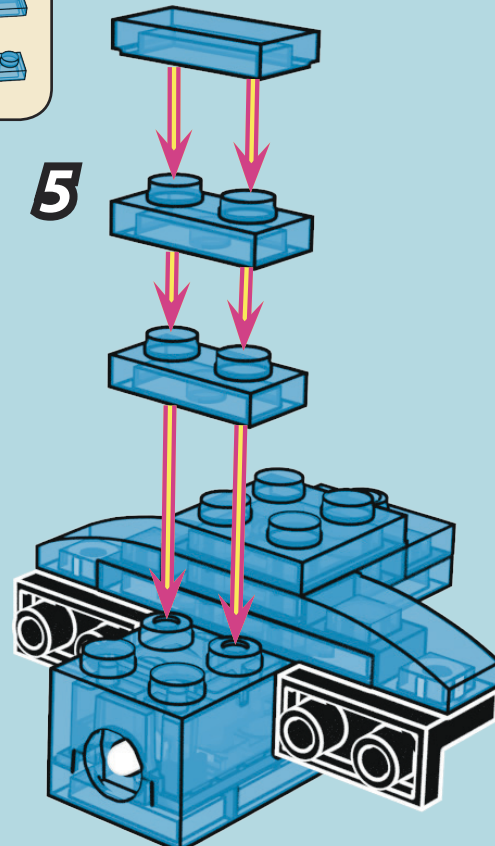
3



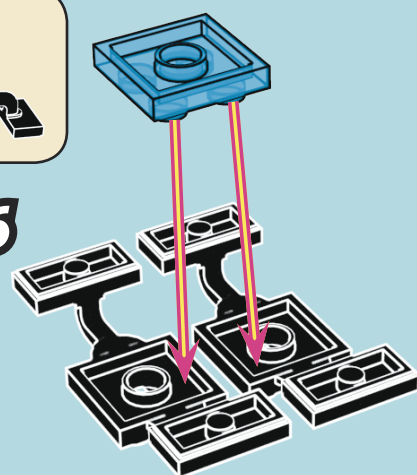
4



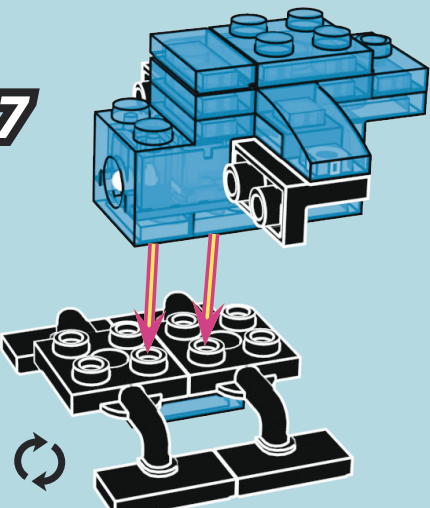
5

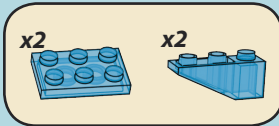


6

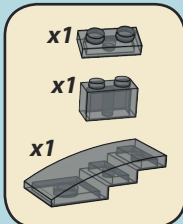
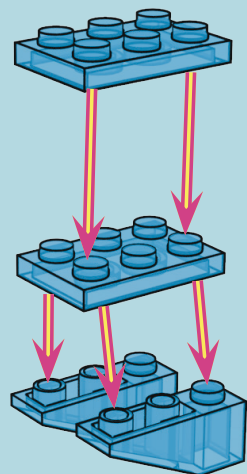


7

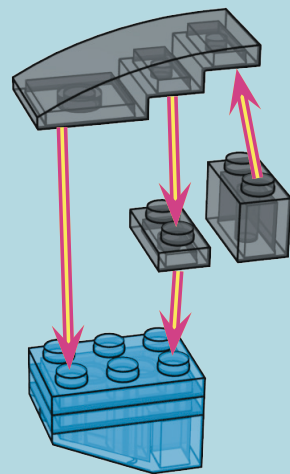




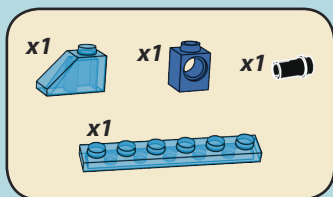
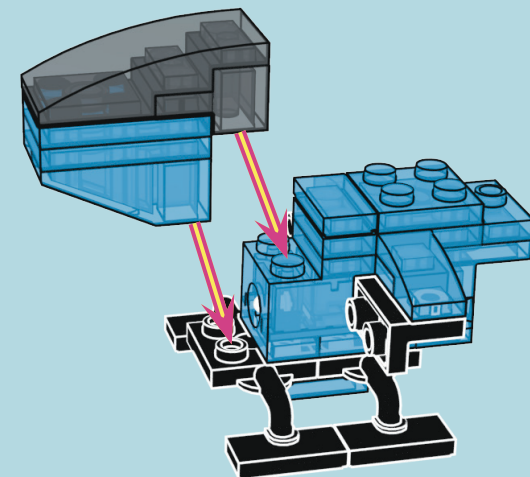
8



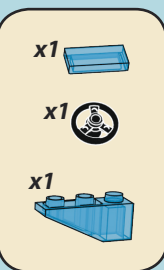
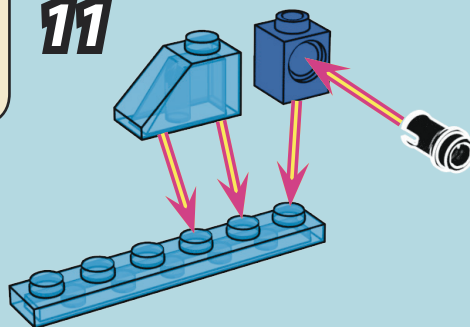
9



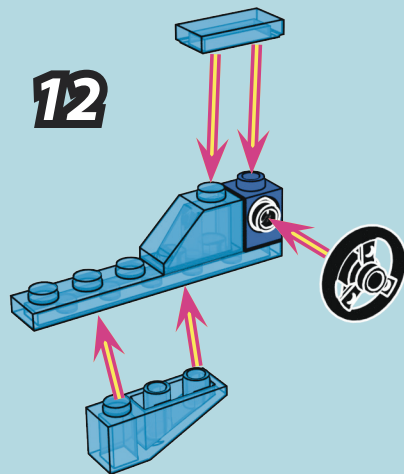
10



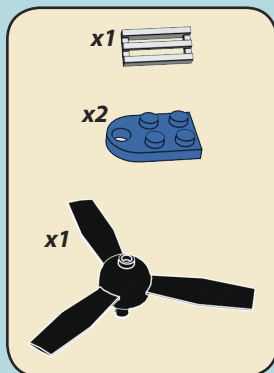
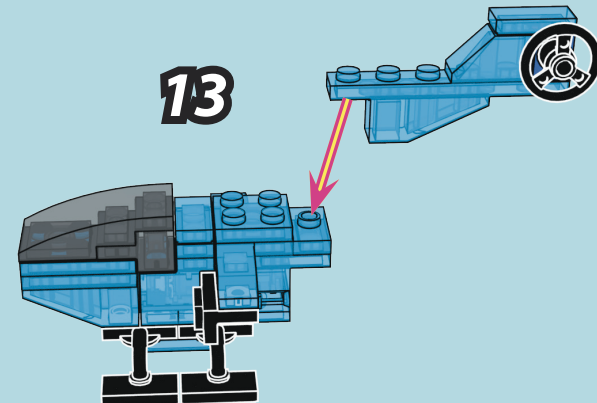
11



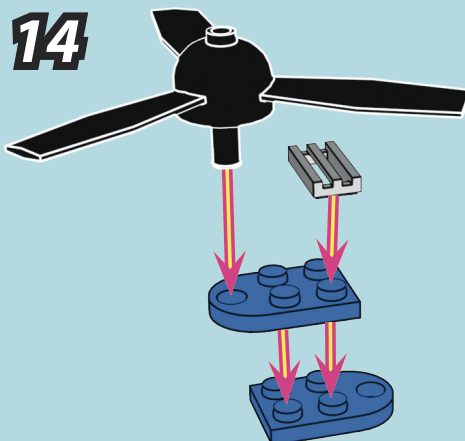
12



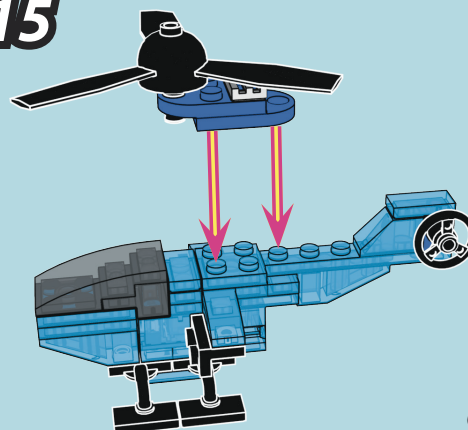
13



14

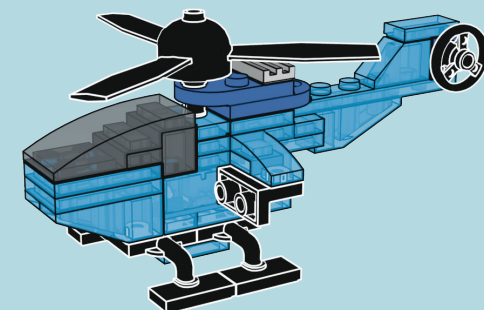


15



LASER PEGS

NEVER WRONG  
Toys & Games



MICRO HELICOPTER

Questions?? email: [info@neverwrongtoys.com](mailto:info@neverwrongtoys.com)  
Des questions?? Allez à: [info@neverwrongtoys.com](mailto:info@neverwrongtoys.com)

www.neverwrongtoys.com  
Copyright 2021 © All Rights Reserved  
U.S. Patent No. 8,864,546 & Other Patents Pending