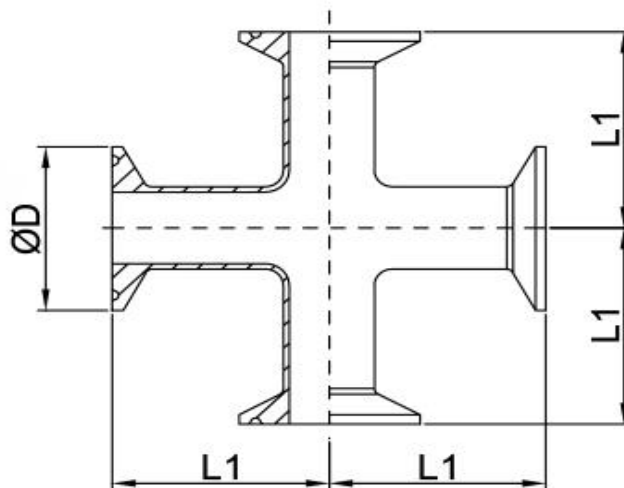


Sanitary Fittings Spec Sheet

— 4 Way Cross



Whether you're branching out or converting 3 lines into one, a Tri-clamp 4-way Cross could be the solution you are looking for.



Material: AISI 304					
Tri Clamp 4 Way Cross					
SKU	SIZE	ØD		L1	
		in	mm	in	mm
EXA-4WAYS-1.5IN	1 1/2"	1.988	50.5	2.752	69.9
EXA-4WAYS-2IN	2"	2.520	64	3.500	88.9
EXA-4WAYS-3IN	3"	3.583	91	3.752	95.3

Hardware Factory Store Inc.

1029 N Todd Ave. Azusa, CA 91702

TEL: 626.332.7744

E-MAIL: info@hfsusa.com

WEBSITE: <https://hardwarefactorystore.com/>

