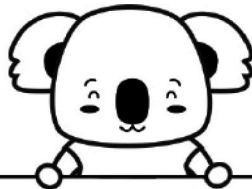
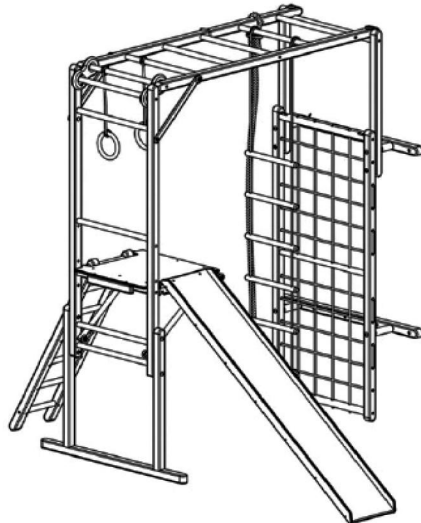


EZPlay
JUNGLE GYMS



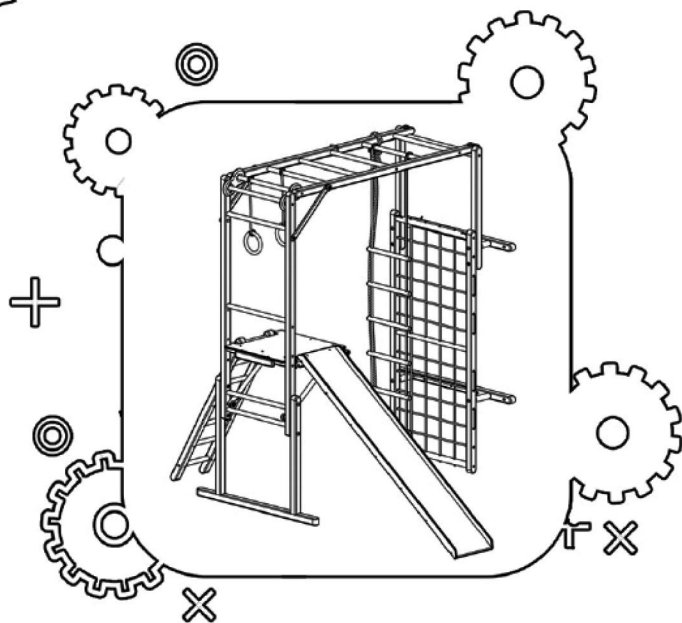
Instruction Manual

KOALA ADVENTURE



WWW.EZPLAUTOUS.COM

**It won't take you long
to assemble Koala playset - simply
follow the instruction in our manual**



Use the link to access
the online version
of the manual



bit.ly/3au7LUg



Please follow all recommendations and instructions below. Failure to do so, may result in the warranty being voided and/or safety violations that may result in serious injury.

LOCATION: Our playgrounds are intended for indoor private use only. EZPlay does not warrant any of its indoor playgrounds subjected to commercial or outdoor use such as: Daycare, Preschool, Nursery School, Recreational Park, or any similar application.

IMPORTANT: This unit must be securely connected to a load-bearing wall or other supporting structure. In most homes this will be the wooden stud wall frame that is behind a layer of drywall. Professional installation is recommended.

TOOLS REQUIRED: The following tools are required for assembly, but are not included in the Koala Adventure Playground Kit: Drill with a Drill Bit, Rubber Mallet, Studfinder.

CLEANING: To clean the playground, please wipe down using only a wet rag and dry with a dry-cloth.

PRE-ASSEMBLY: Identify where the studs are located and mark them on the wall. If you are not sure where the studs are, an electronic stud-finder can be used to locate the studs. Once the measurements are done, you are ready to begin!

PLEASE READ:

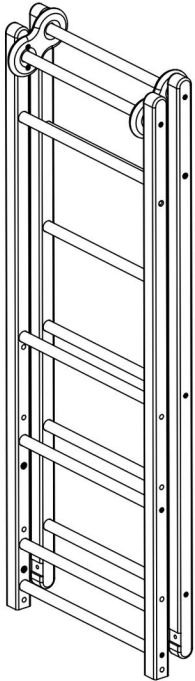
Our products are handcrafted with love and we stand behind their quality! If you have any questions about this playground or have any damaged pieces, please email us at support@ezplaytoys.com and our satisfaction team will help solve your issues as quickly as possible.



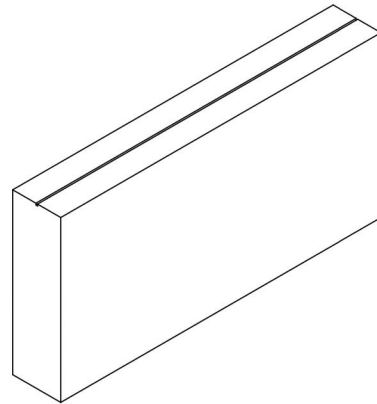
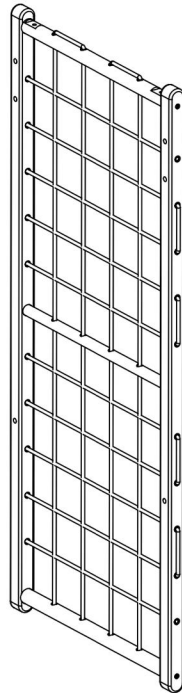
WE HOPE THAT YOUR FAMILY ENJOYS
THIS PLAYGROUND AS MUCH AS OURS HAVE!

PARTS LIST AND ASSEMBLY INSTRUCTIONS:

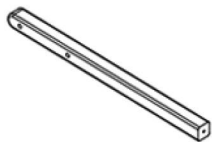
A_kx1



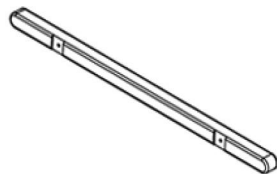
B_kx1



C_kX2



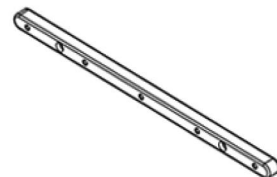
D_kX1



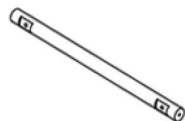
E_kX2



F_kX2



G_kX1



H_kX2



I_kX2



J_kX2



K_kX2



L_kX1



M_kX1



N_kX2



O_kX2



P_kX6



Z_kx1

Q_kx2



R_kx4



S_{k1}x4



S_{k2}x4



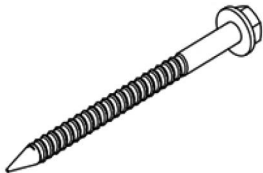
T_kx3



U_kx2



V_{k1}x4



V_{k2}x4



W_kx14



X_{k1}x1



X_{k2}x1

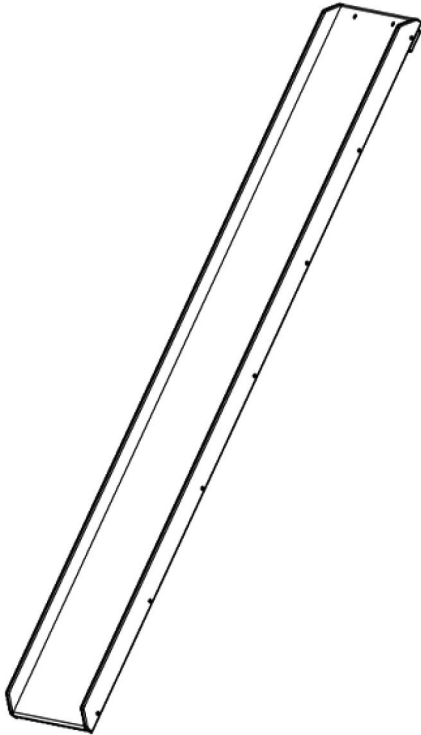


Y_kx1

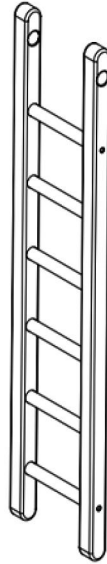


KOALA SLIDE BOX:

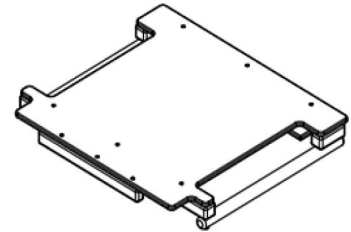
A_sx1

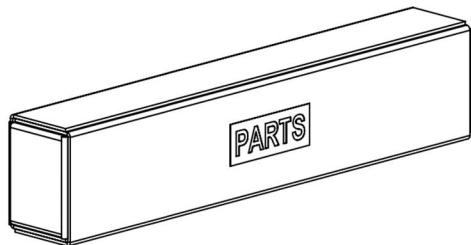


B_sx1



C_sx1





$D_s \times 2$

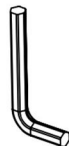
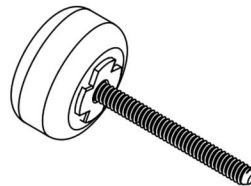
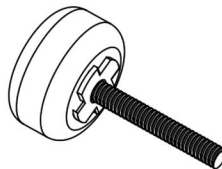
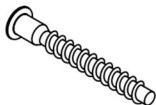
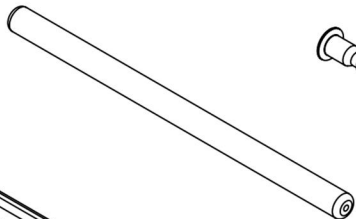
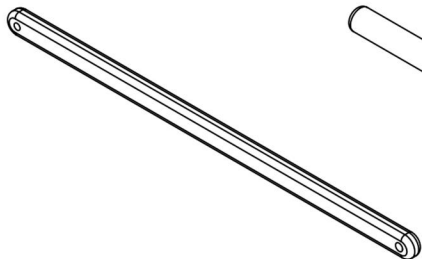
$E_s \times 1$

$F_s \times 2$

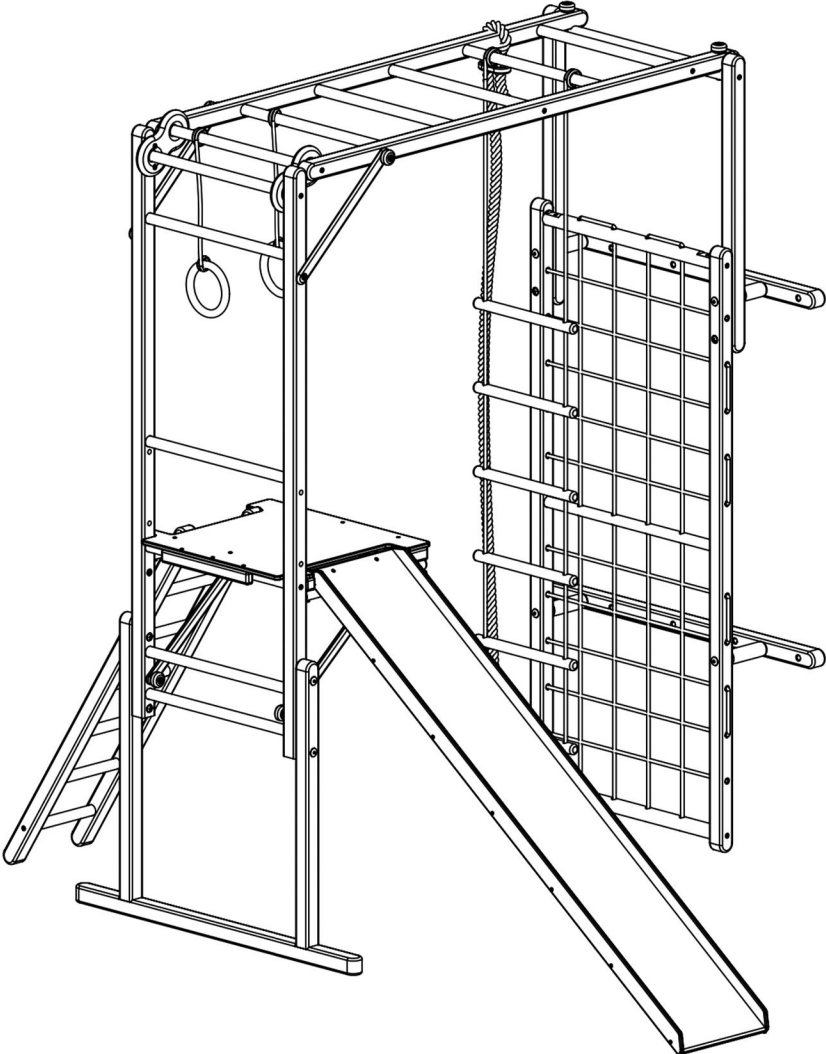
$G_s \times 2$

$H_s \times 2$

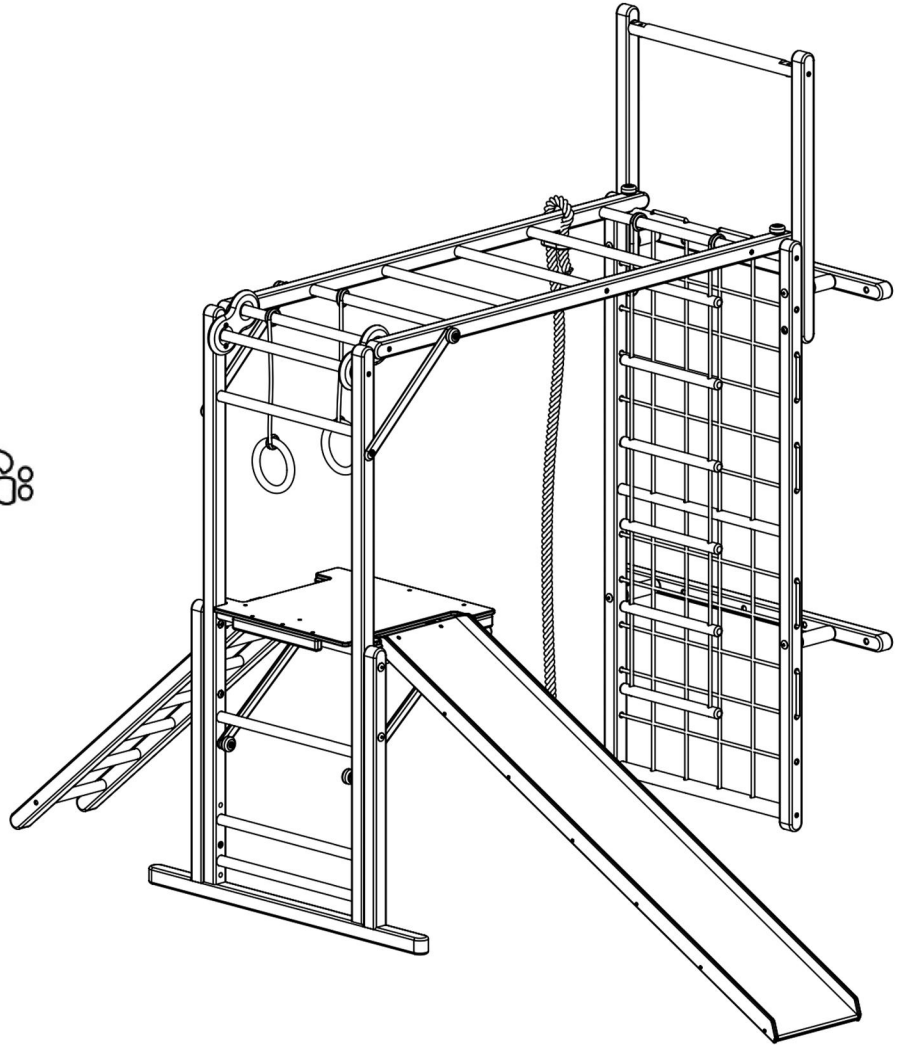
$I_s \times 1$



HIGHT SETTING:

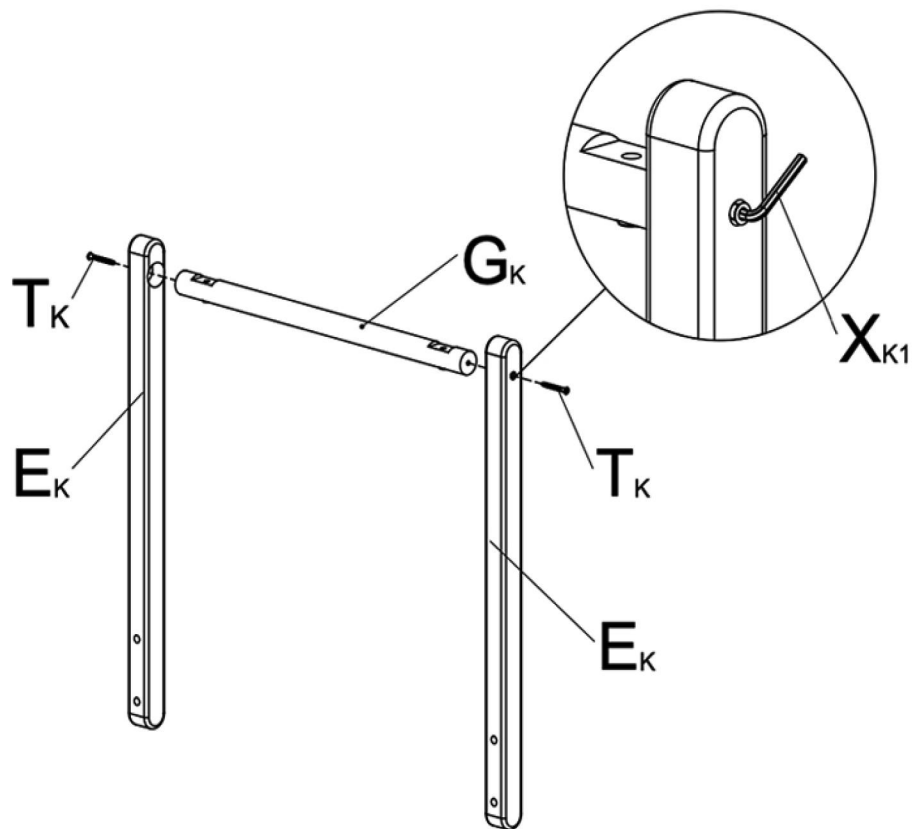


LOW SETTING:

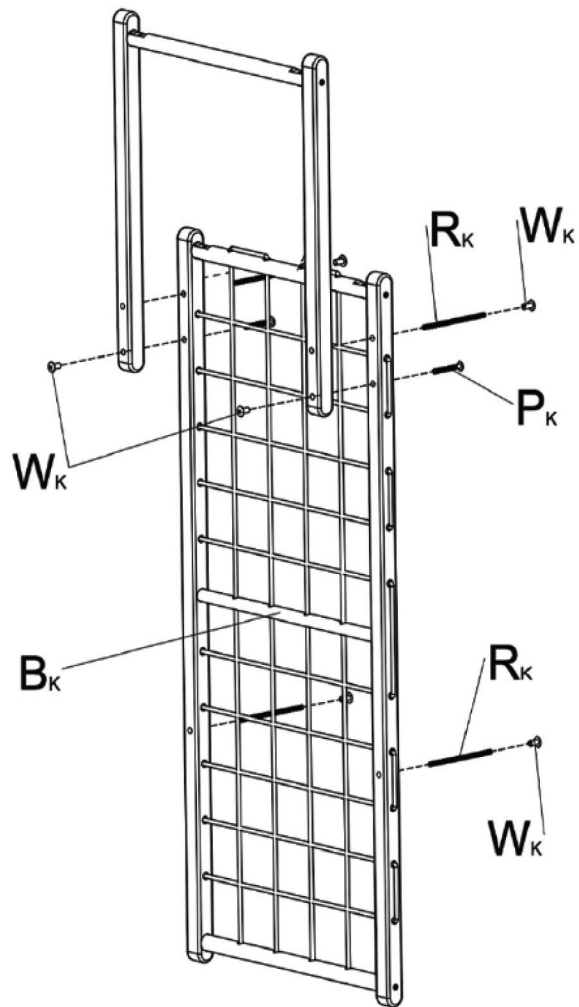


ASSEMBLY PROCESS

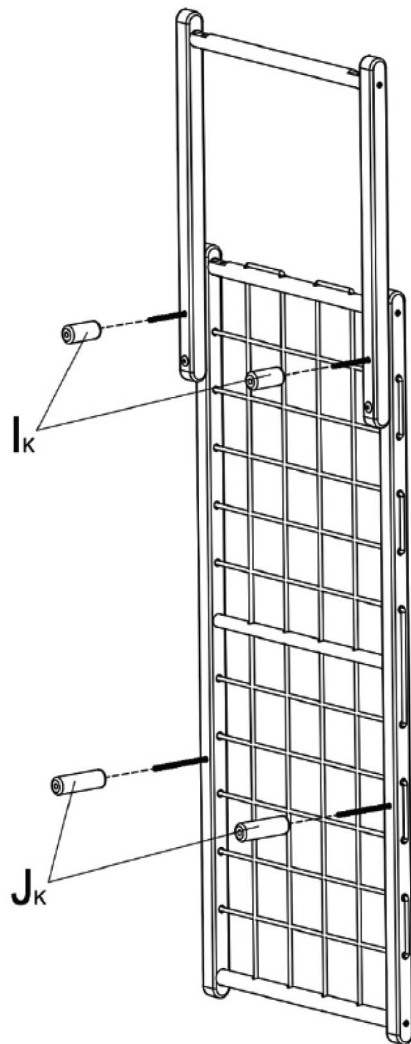
1.



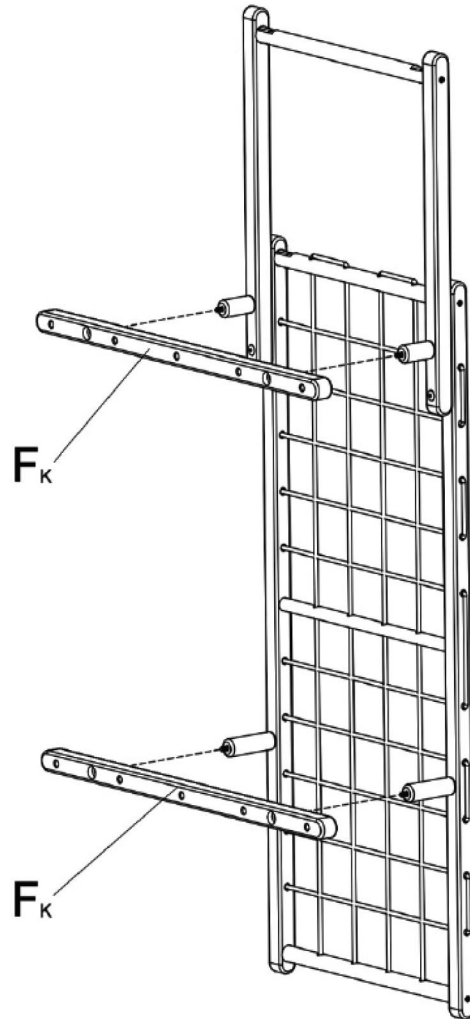
2.



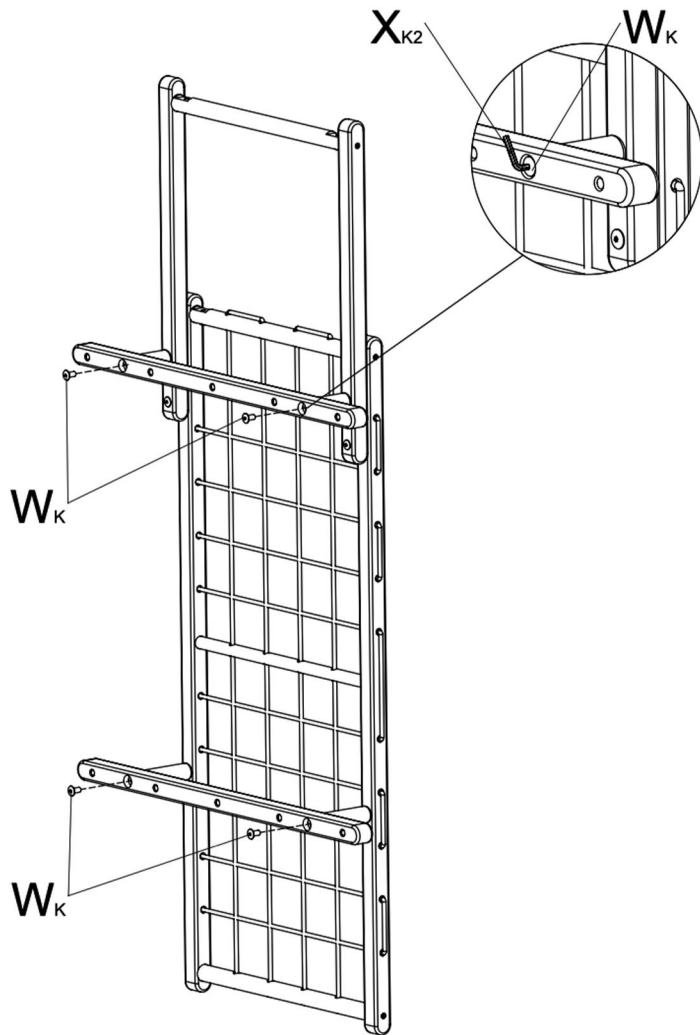
3.



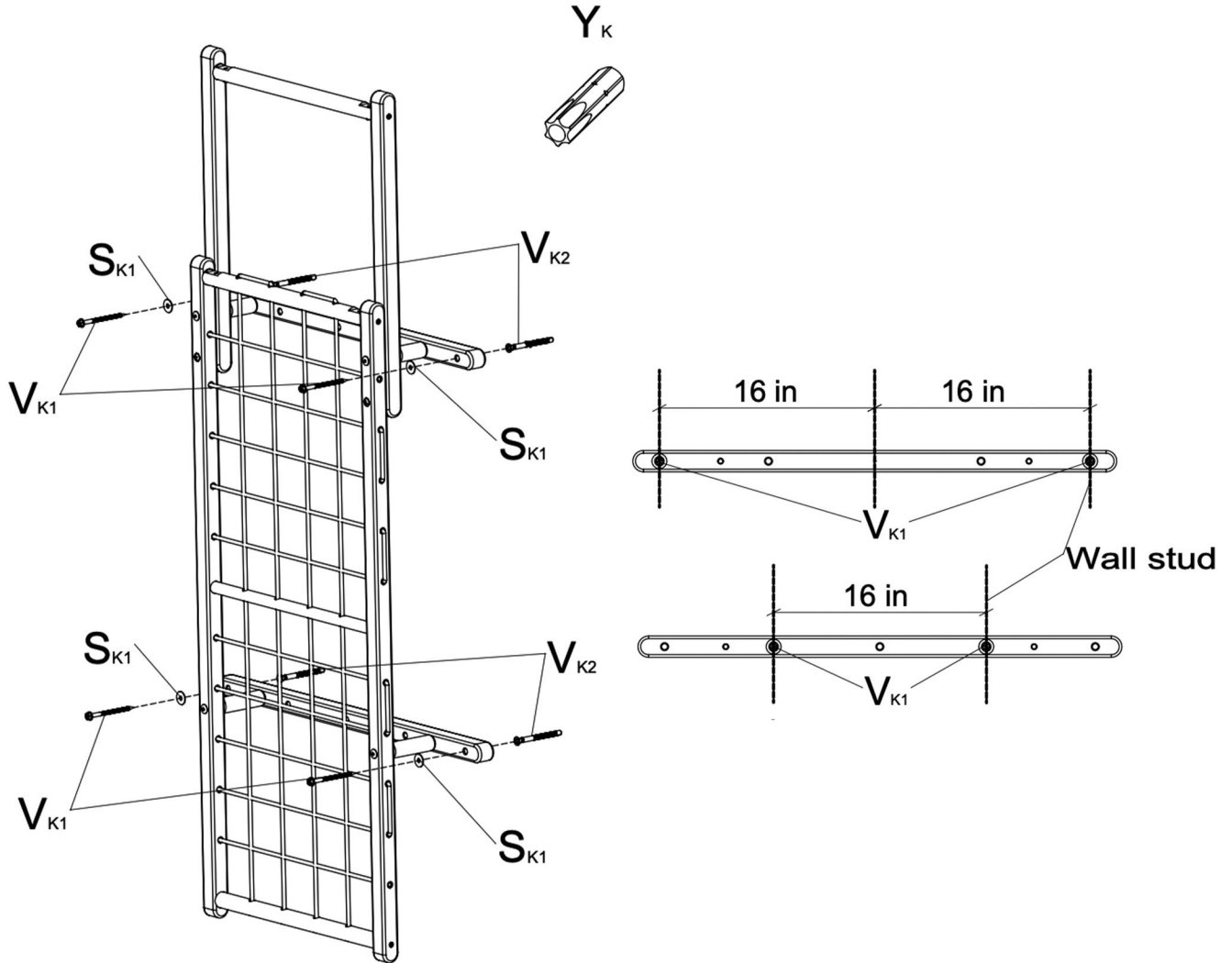
4.



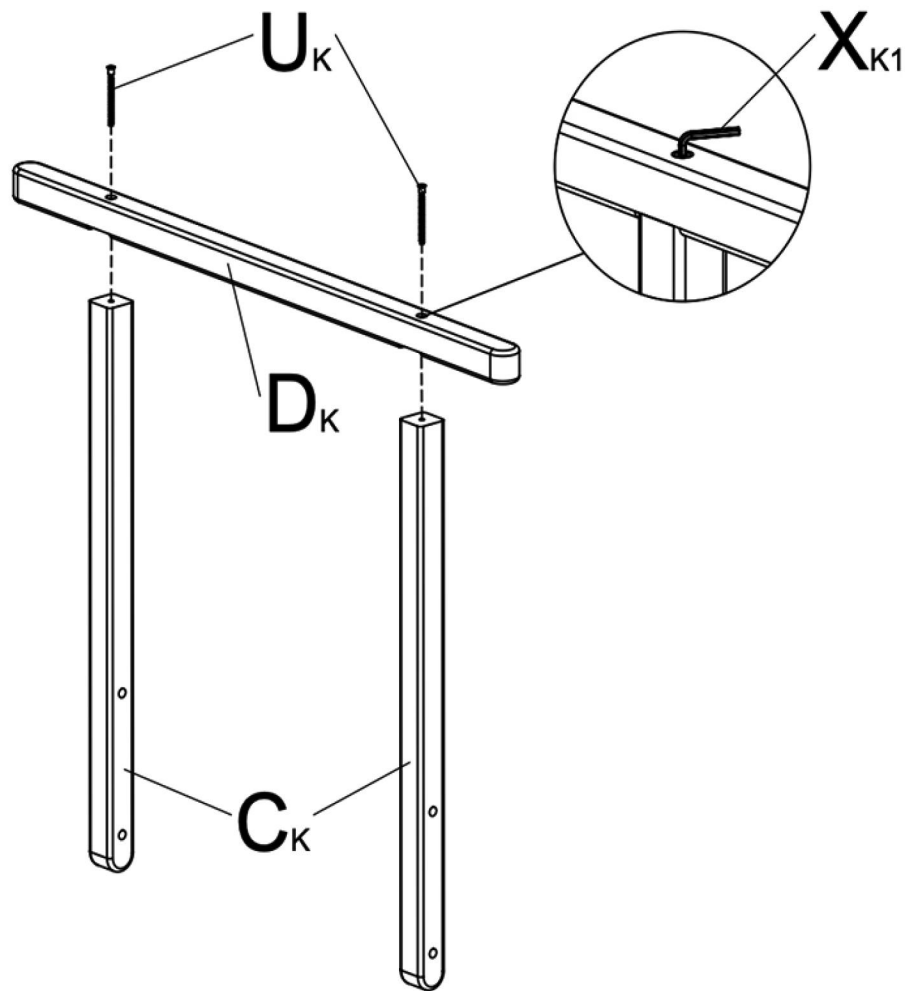
5.



6.



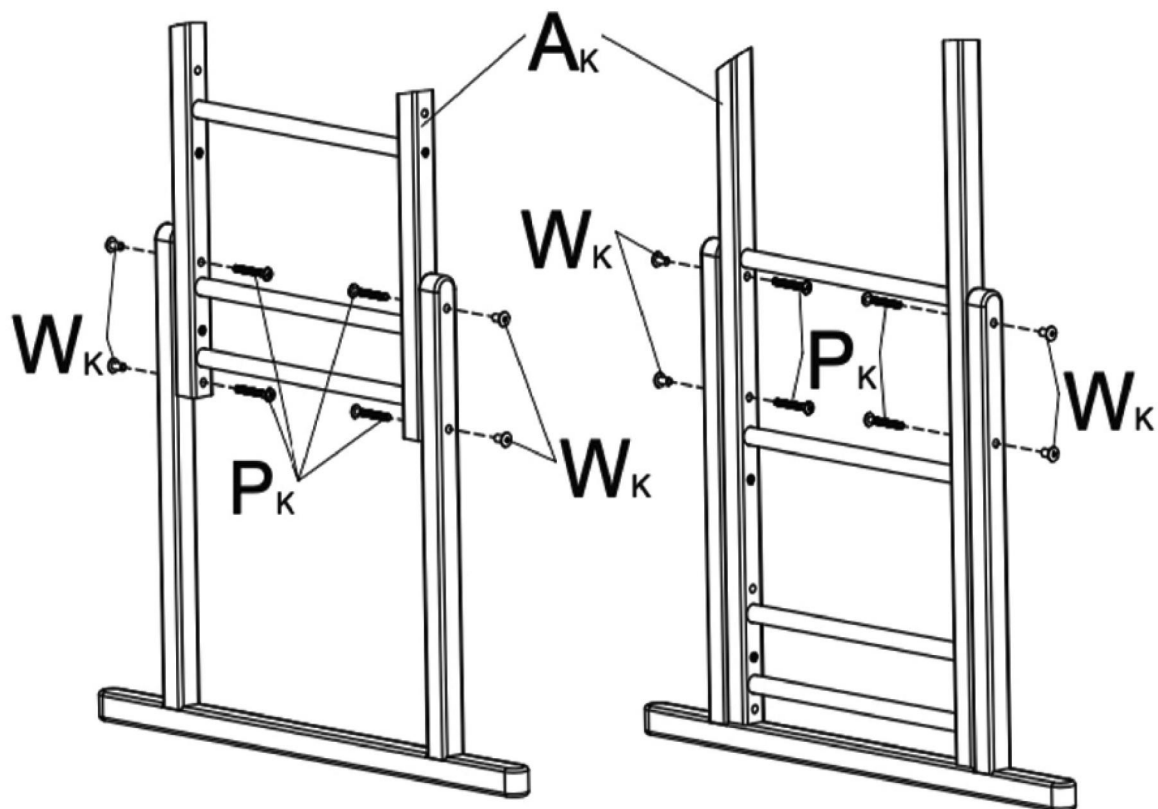
7.



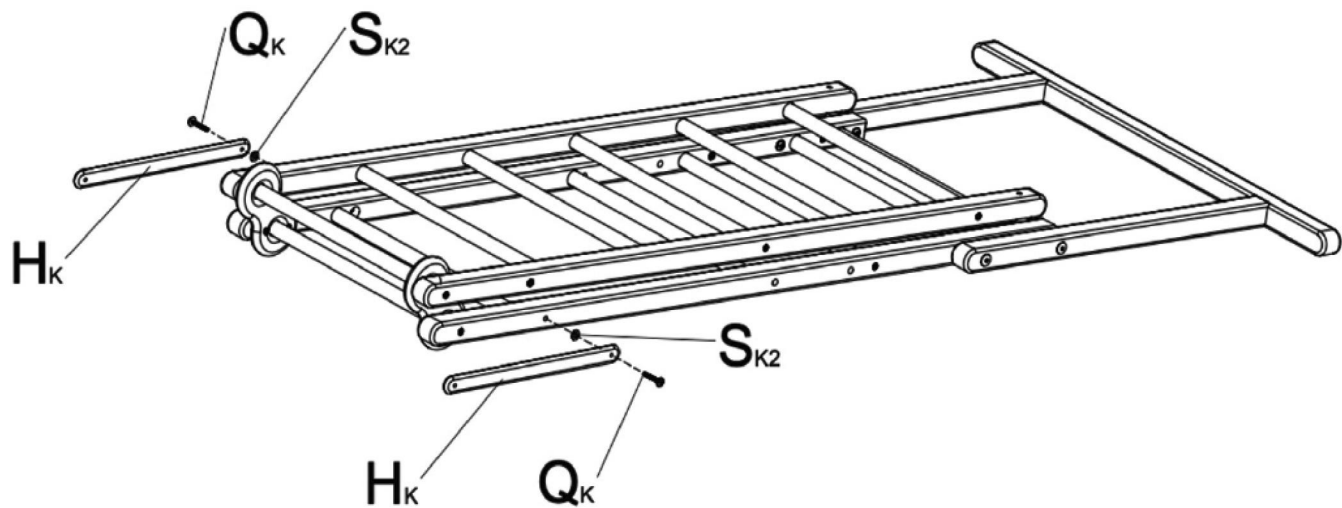
High setting

Low setting

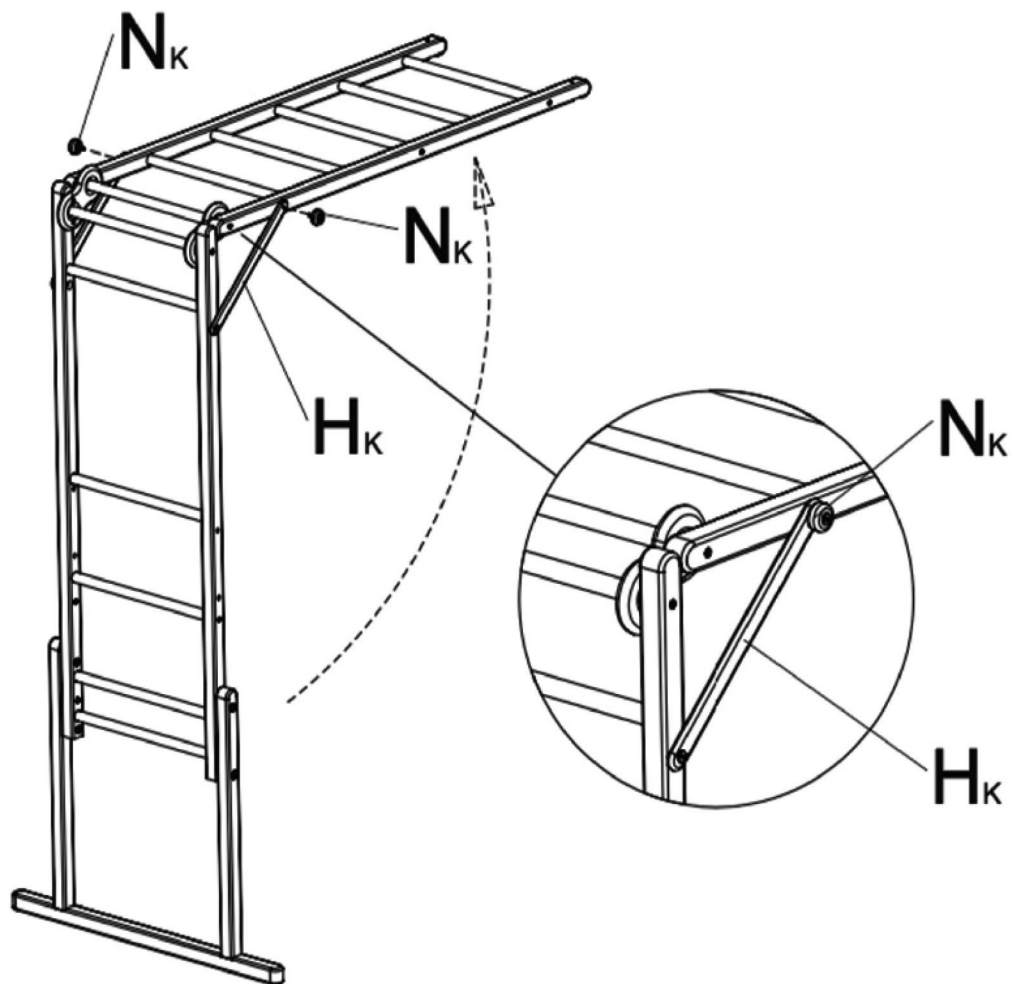
8.



9.

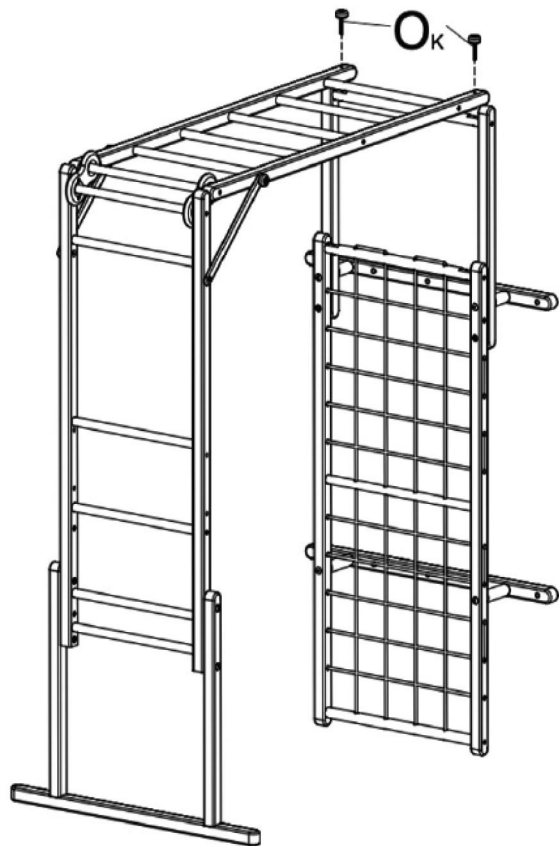


10.

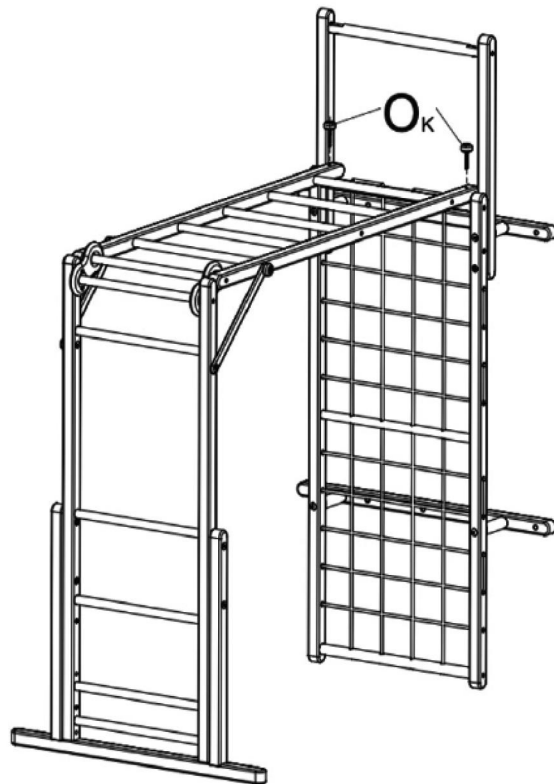


11.

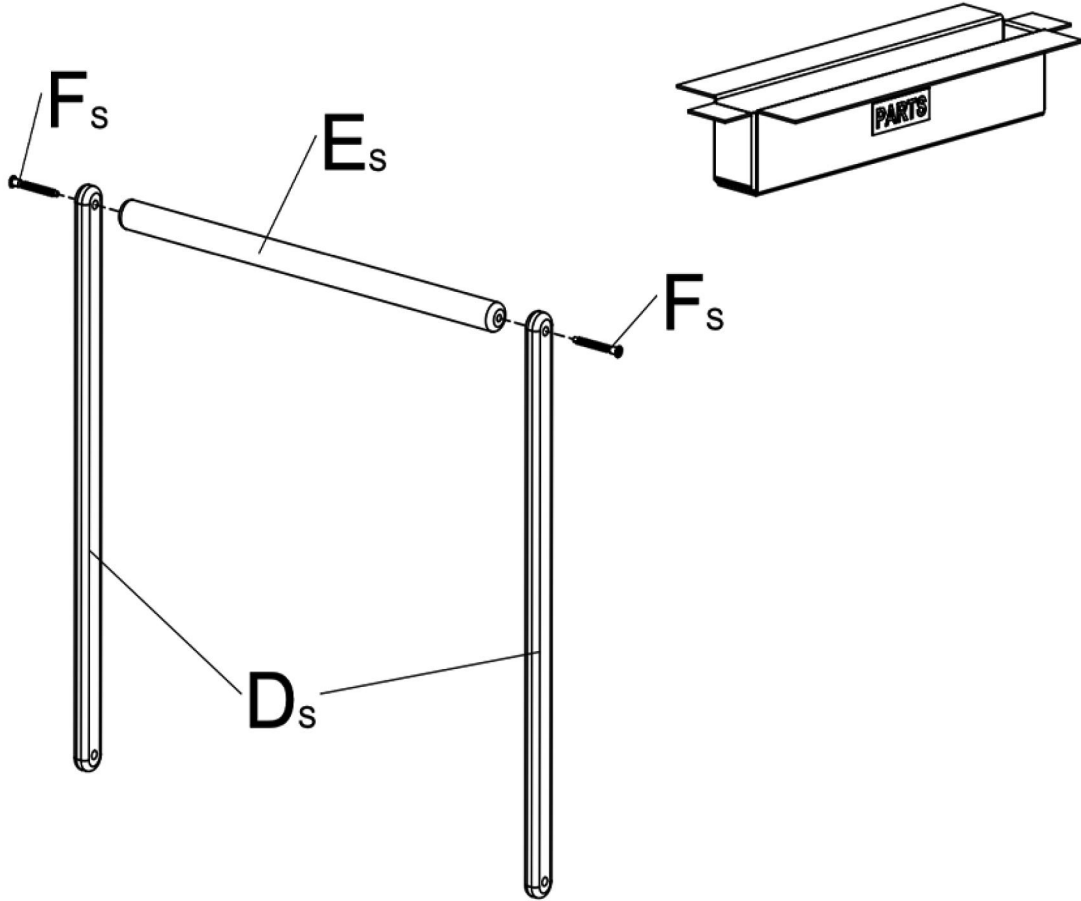
High setting



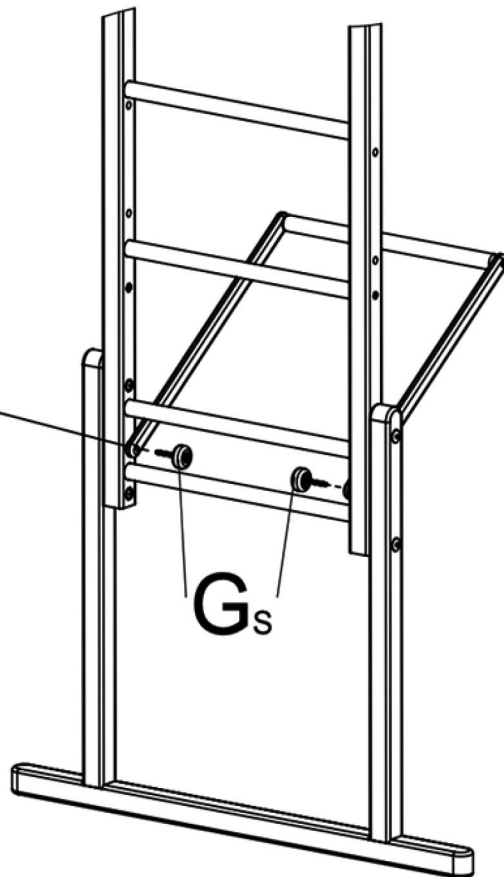
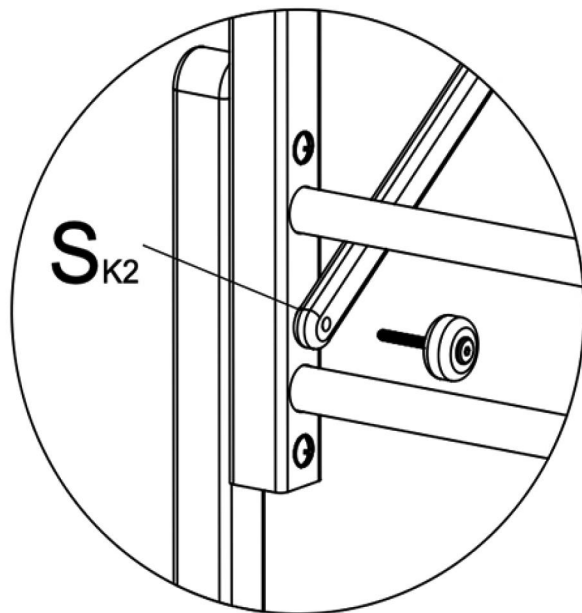
Low setting



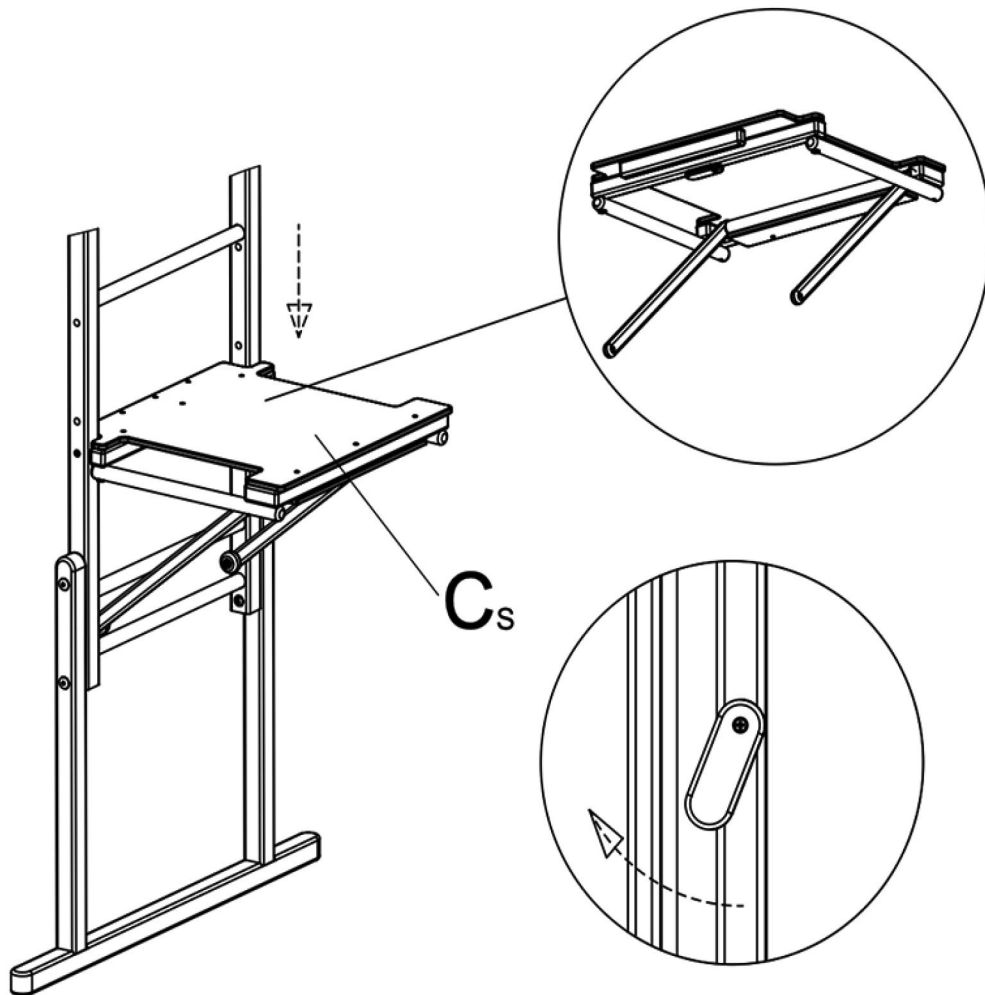
12.



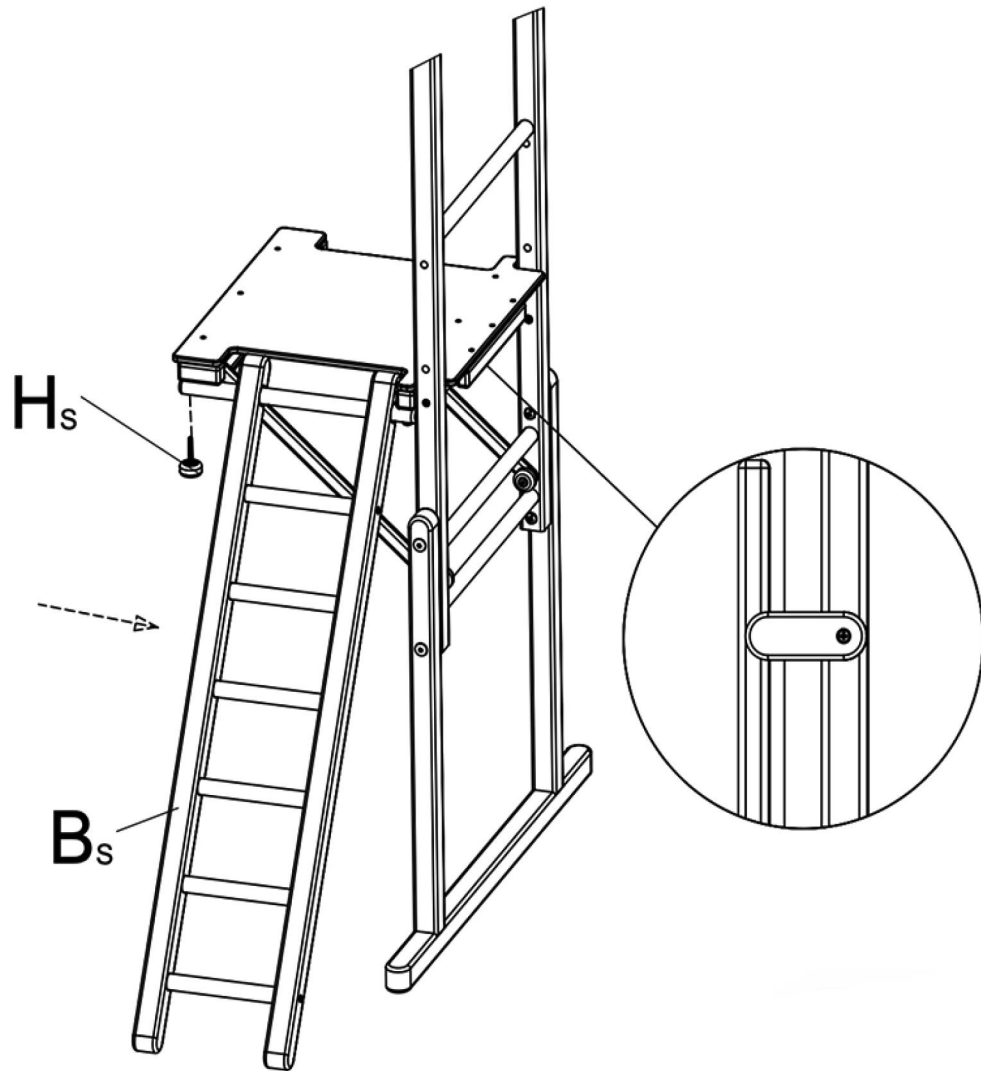
13.



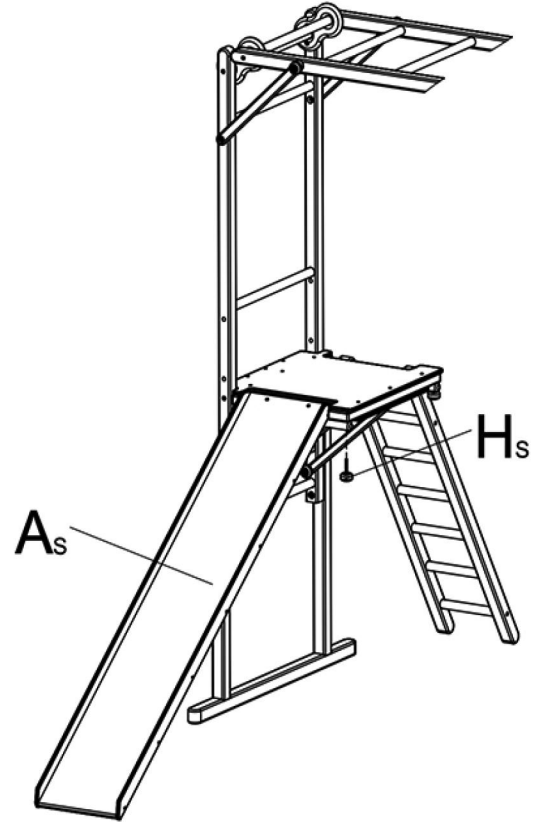
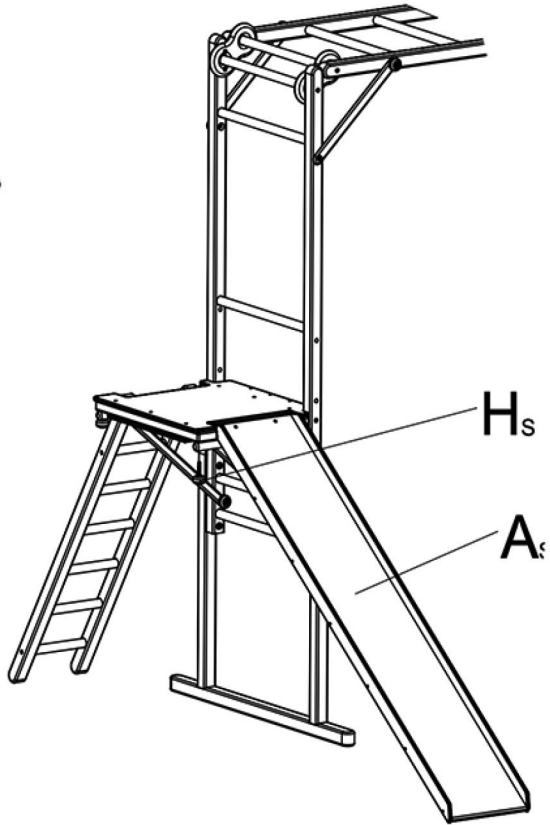
14.



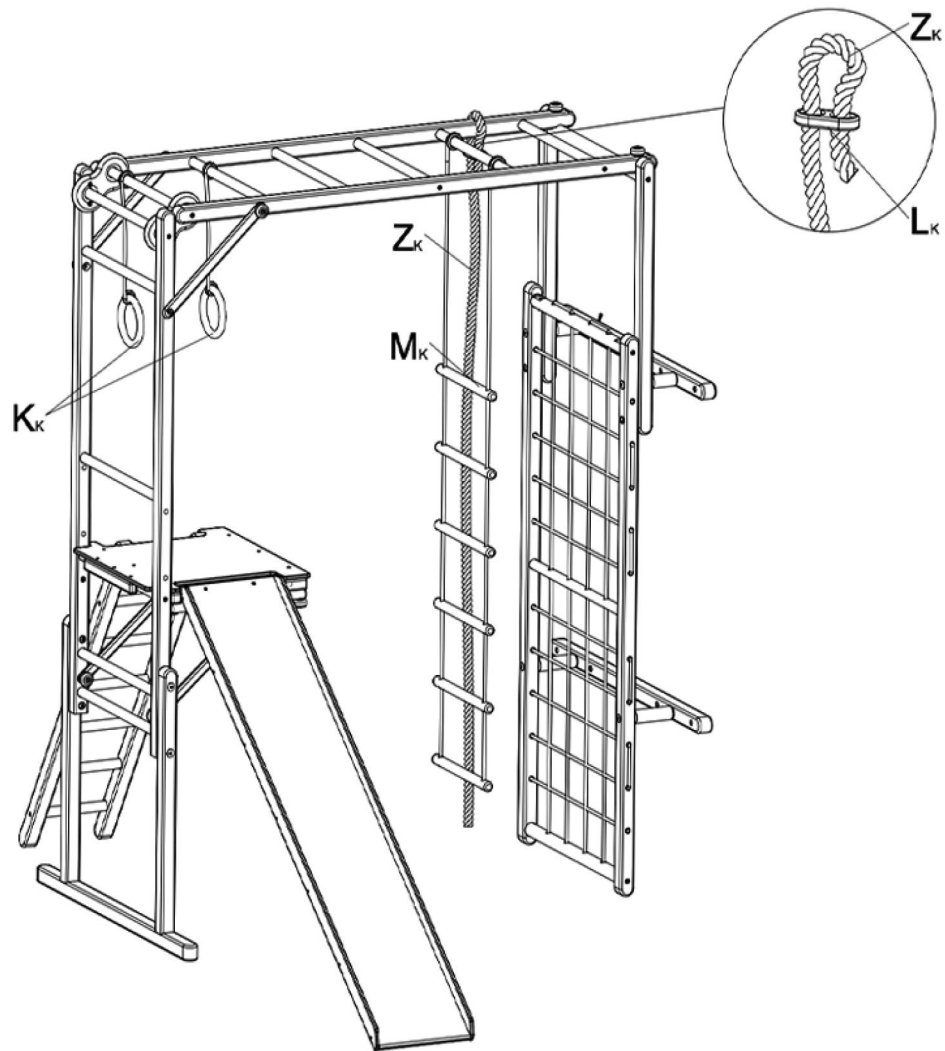
15.



16.



17.





IMPORTANT SAFETY PRECAUTIONS

SAFETY: While an indoor play-set will not be subjected to the same abuse as an outdoor play-set that is exposed to the elements of weather change, etc. through frequent use your play-set will experience the normal wear and tear of any household that is blessed with active children. Always inspect your play-set for safety before playtime. Look for fittings that may have become loose, ensure the screws are tight upon unfolding and securing the stored unit. Also, verify that there are no frayed, damaged, or loose ropes.

LOCATION AND PLACEMENT OF PLAYGROUND

Playground is intended for indoor use. If used outdoors, exposure to rain, snow or long periods in the sun may cause damage to the playground and such damage is not covered under warranty.

STOPPER KNOTS: Features such as the swing and ladders on our play-set are secured by overhand stopper knots. In addition to the test of time in backyard swings all over the world, our knots in our play-sets have withstood hundreds of pounds of adult abuse. Like all equipment, your ropes and knots on the play-set will be subjected to normal wear and tear. Always inspect your equipment before use, including the knots and rope fittings. We suggest the use of Ashley's knot. Our rope experts at the climbing gym suggest this knot as a beefed up stopper knot for rescue situations.

MAINTENANCE AND REPLACEMENT

If cared for properly your playground can give you years of playtime and excitement. Here are several care tips that will enhance your playground investment. The wood in the playground continues to exchange moisture with the air, expanding and shrinking in response to changes in relative humidity. Wood's natural response to extremely dry air is to lose moisture and shrink a bit. This will correct itself as the relative humidity rises and the wood absorbs enough moisture to expand slightly. On the other hand, if you do not have an air conditioner or dehumidifier, your home's relative humidity may get too high. Parts of your wood playground may absorb excess moisture from the air and expand. Once again, this will correct itself as your home's relative humidity decreases. The playground's quality and natural sturdiness are not affected by these natural changes.

Here are some ways to ensure your playground's longevity:

- Do not use any chemicals to clean the playground. Use only a soft, damp cloth rag. Dry it off with a dry cloth.
- Do not expose it to natural elements such as rain or snow.
- Place your playground away from radiators, fireplaces, and heating ducts.
- Position playground out of direct sunlight or adjust blinds to avoid extended exposure to sunlight.
- Control humidity to 40%-45%. In winter use a humidifier, in summer use a dehumidifier or air conditioner.



Always keep the safety of your children in mind as your play structure is being assembled and as your children play on the set.

Before each time your children play on the set please inspect the playground to make sure all fittings, knots and connections are secure.

ADULT SUPERVISION IS REQUIRED AT ALL TIMES TO ENSURE THE SAFETY OF CHILDREN USING THE PLAYGROUNDS



TO MAINTAIN YOUR EZPLAY JUNGLE GYM WE RECOMMEND:

1

Check rope knots and all play features before each play session for safety

2

Keep it clean with a damp cloth, followed by dry cloth

3

Cover the playset if you store it folded for extended time

4

Always supervise your children during play

5

Visual wood inspection of the playgrounds

DETAILED INFORMATION IS AVAILABLE IN OUR BLOG POST

bit.ly/2xxn9nK

WE WANT TO MAKE
ALL KIDS HEALTHY AND HAPPY

YOU CAN HELP US TO ACHIEVE THIS GOAL

1

Follow this link — tiny.cc/ezpsurvey

2

Take part in a small
2 minute survey

3

Get your reward



We gift a **\$5** Amazon
gift card for everyone
who passes the survey



tiny.cc/ezpsurvey