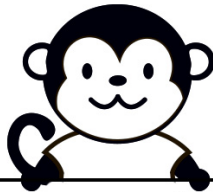
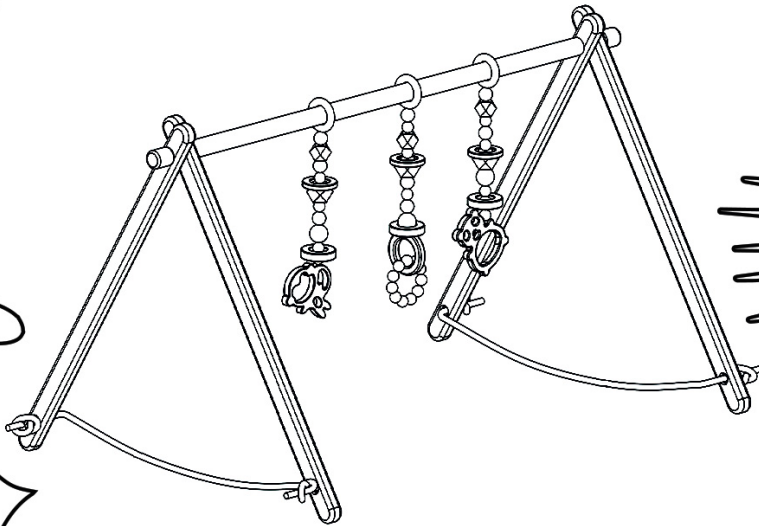


EZPlay
JUNGLER GYMS



Instruction Manual



WWW.EZPLAUTOUS.COM



**PLEASE READ THIS PAGE
BEFORE BEGINNING
THE ASSEMBLY PROCESS.**

Structures are not intended for public use. EZPLAY does not warranty any of its indoor playground subjected to commercial use such as: Daycare, Preschool, Nursery School, Recreational Park, or any similar Commercial Application.

Children must NOT use this playground until unit has been completely assembled and inspected by an adult to ensure the set has been properly installed.

Please follow all recommendations below. Failure to do so, may result in the warranty being voided and/or safety violations that may result in serious injury.

Ax2



Bx2



Cx1



Dx2



Ex1



Fx1



Gx1

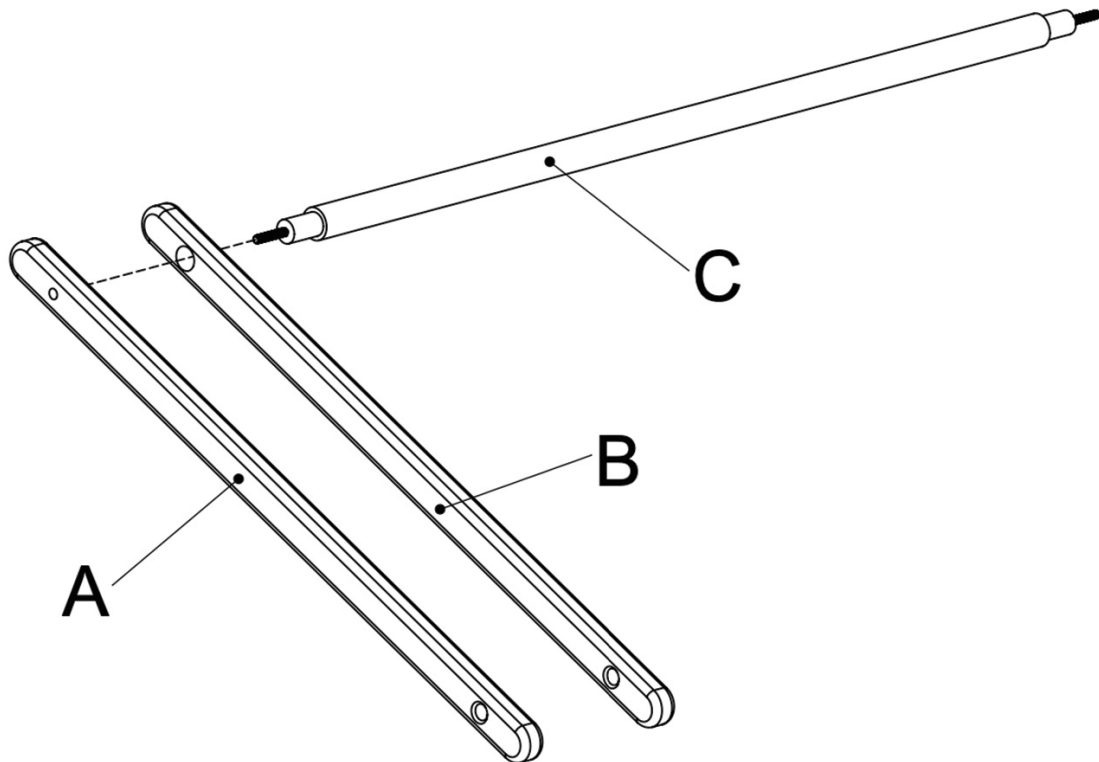


Hx2

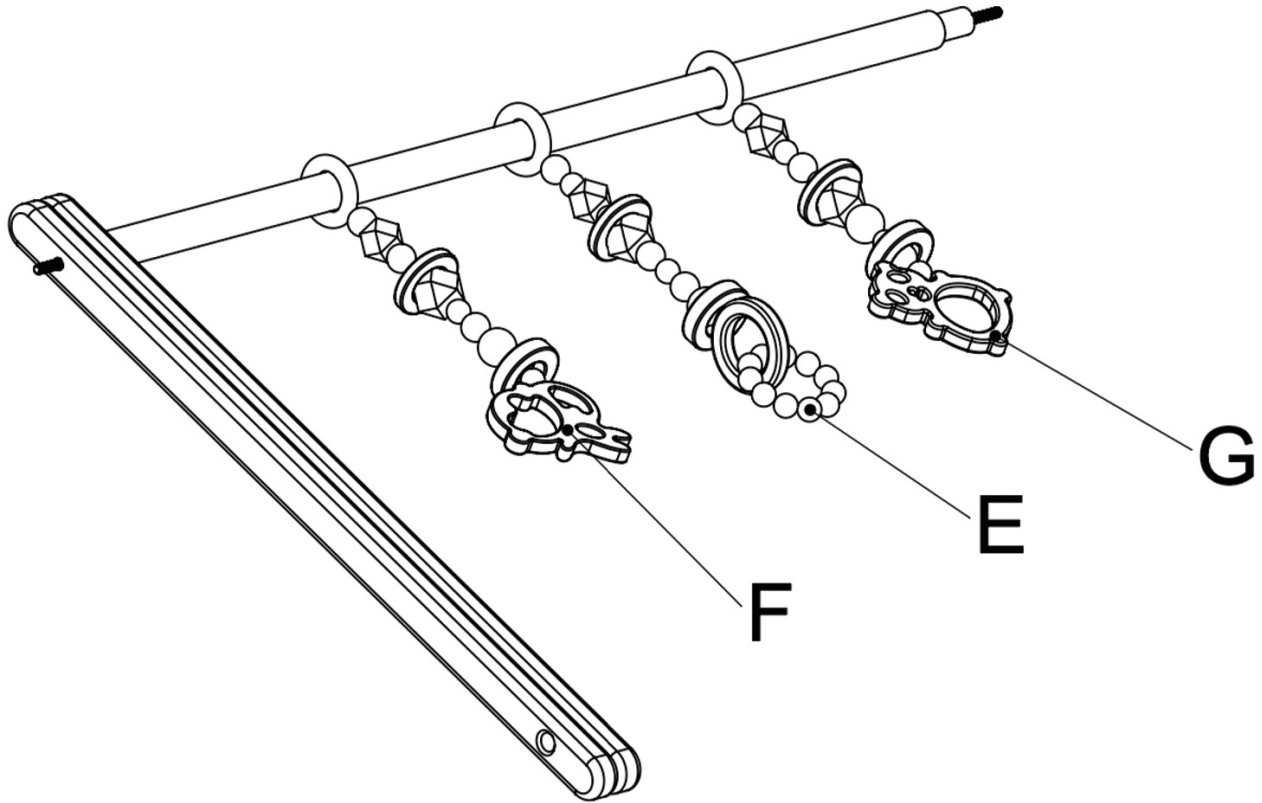


ASSEMBLY PROCESS

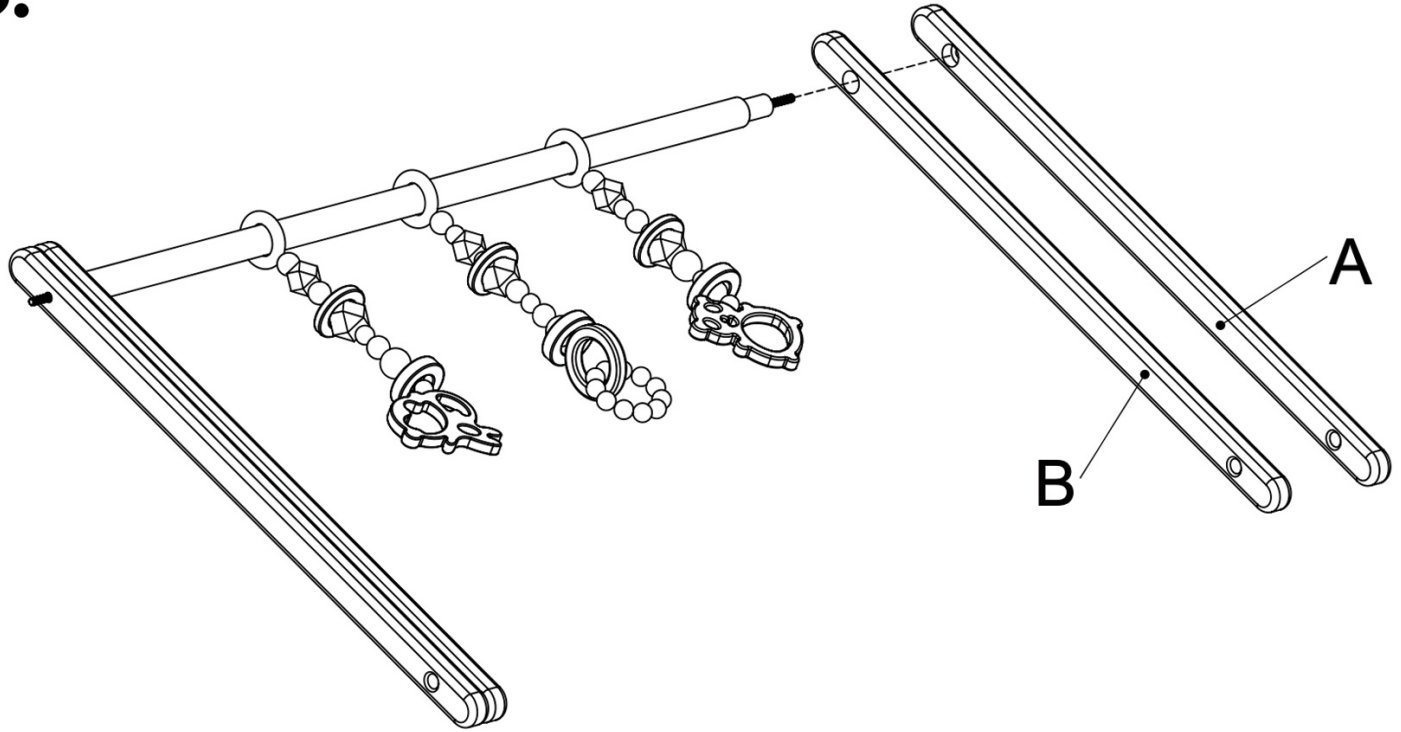
1.



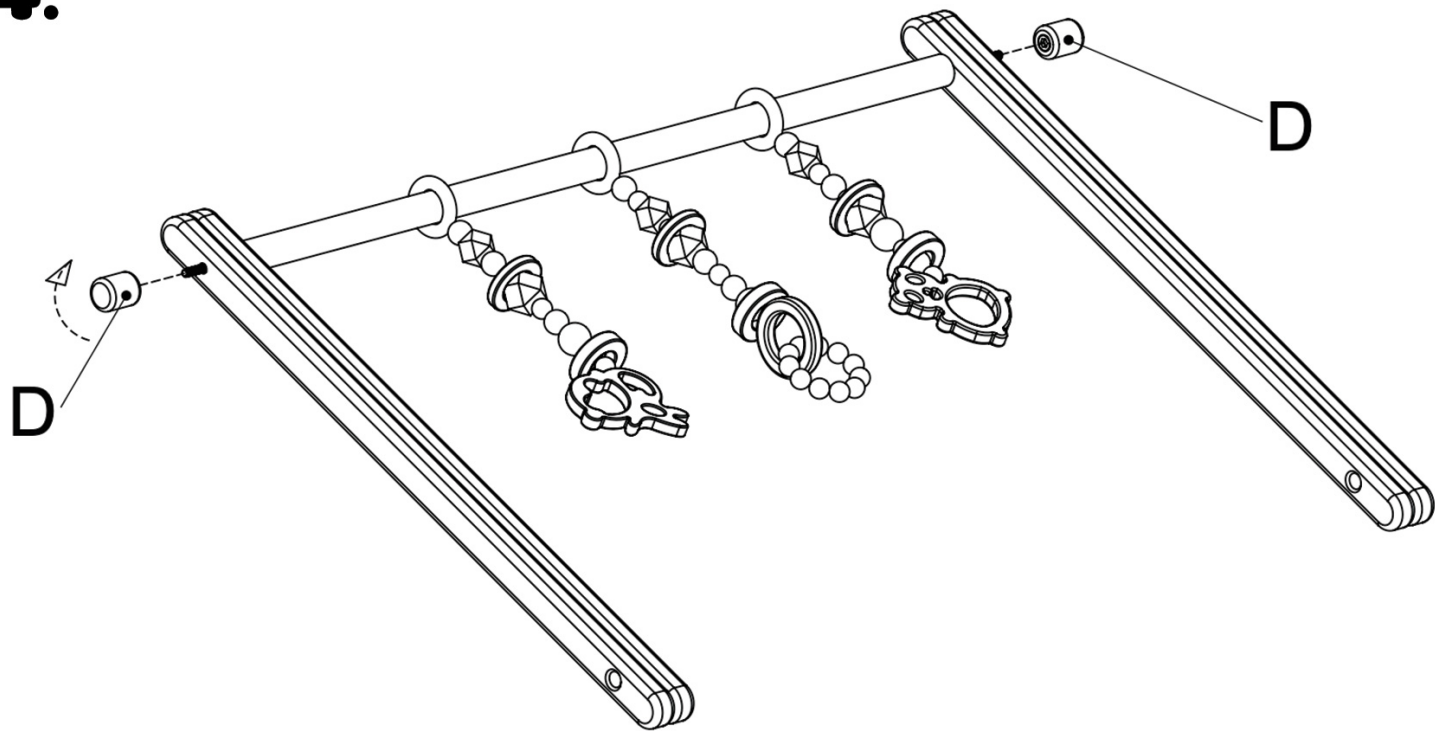
2.



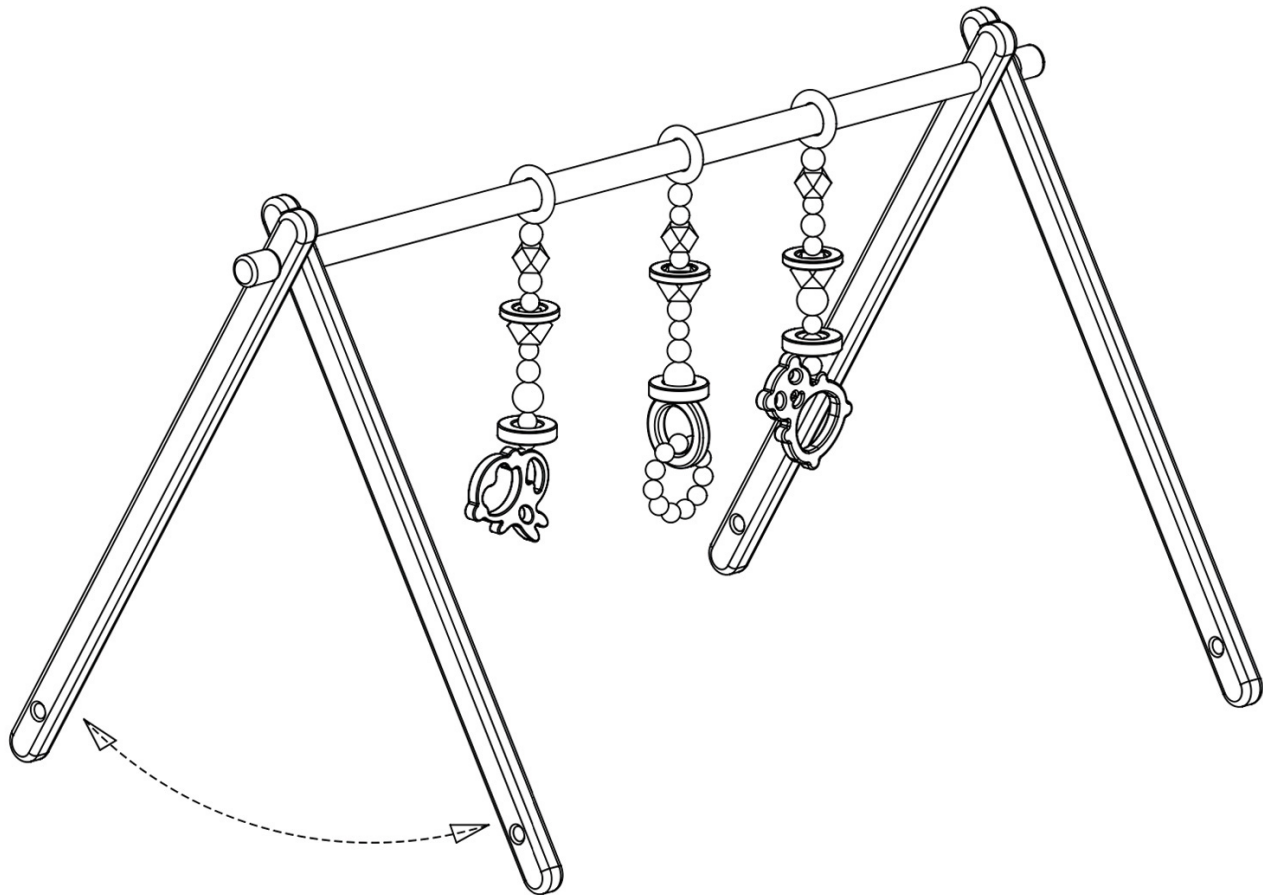
3.



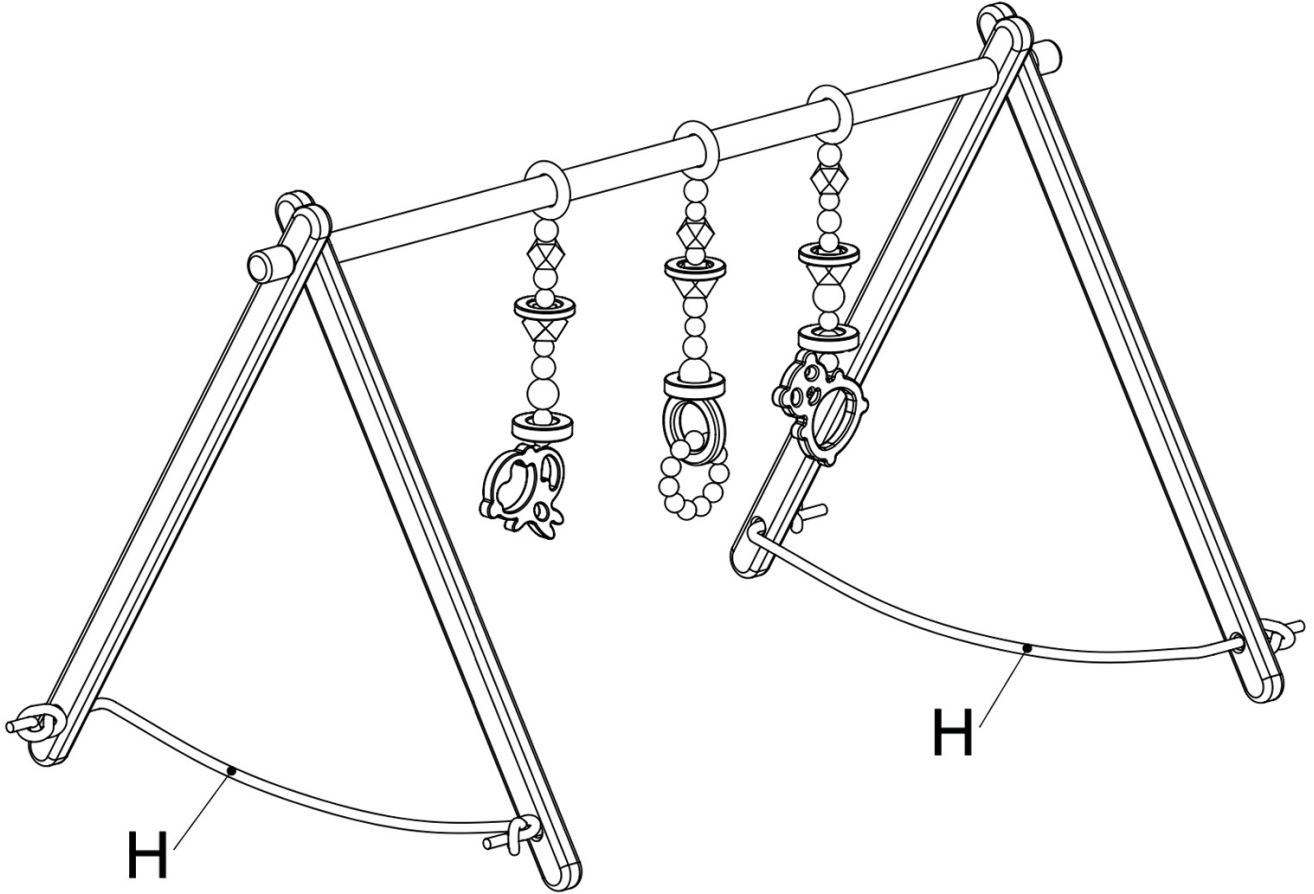
4.



5.



6.





IMPORTANT SAFETY PRECAUTIONS

SAFETY

While an indoor play-set will not be subjected to the same abuse as an outdoor play-set that is exposed to the elements of weather change, etc. through frequent use your play-set will experience the normal wear and tear of any household that is blessed with active children.

Always inspect your play-set for safety before playtime. Look for fittings that may have become loose, ensure the screws are tight upon unfolding and securing the stored unit.

LOCATION AND PLACEMENT OF PLAYGROUND

Playground is intended for indoor use. If used outdoors, exposure to rain, snow or long periods in the sun may cause damage to the playground and such damage is not covered under warranty.

MAINTENANCE AND REPLACEMENT

If cared for properly your playground can give you years of playtime and excitement. Here are several care tips that will enhance your playground investment. The wood in the playground continues to exchange moisture with the air, expanding and shrinking in response to changes in relative humidity. Wood's natural response to extremely dry air is to lose moisture and shrink a bit. This will correct itself as the relative humidity rises and the wood absorbs enough moisture to expand slightly. On the other hand, if you do not have an air conditioner or dehumidifier, your home's relative humidity may get too high. Parts of your wood playground may absorb excess moisture from the air and expand. Once again, this will correct itself as your home's relative humidity decreases. The playground's quality and natural sturdiness are not affected by these natural changes.

Here are some ways to ensure your playground's longevity:

- Do not use any chemicals to clean the playground. Use only a soft, damp cloth rag. Dry it off with a dry cloth.
- Do not expose it to natural elements such as rain or snow.
- Place your playground away from radiators, fireplaces, and heating ducts.
- Position playground out of direct sunlight or adjust blinds to avoid extended exposure to sunlight.
- Control humidity to 40%-45%. In winter use a humidifier, in summer use a dehumidifier or air conditioner.



Always keep the safety of your children in mind as your play structure is being assembled and as your children play on the set.

Before each time your children play on the set please inspect the playground to make sure all fittings, knots and connections are secure.

**ADULT SUPERVISION IS REQUIRED AT ALL TIMES TO ENSURE
THE SAFETY OF CHILDREN USING THE PLAYGROUNDS**

Our products are handcrafted with love and we stand behind their quality! If you have any questions about this playground or have any damaged pieces, please email us at **support@ezplaytoys.com** and our satisfaction team will help solve your issues as quickly as possible.



**WE HOPE THAT YOUR FAMILY ENJOYS
THIS PLAYGROUND AS MUCH AS OURS HAVE!**