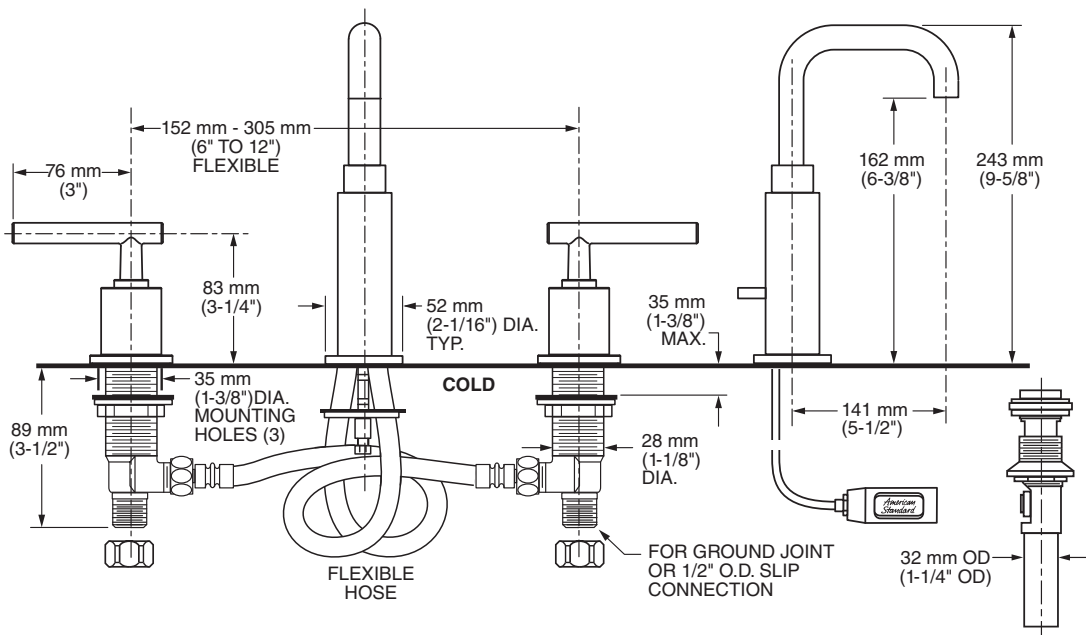


**MODEL NUMBER:**

- 2064.831 Serin Widespread  
Metal Speed Connect® pop-up drain.  
Metal lever handles.



**GENERAL DESCRIPTION:**

Cast brass valve bodies with flexible hose connections for 6" to 12" (152 to 305 mm) installations. 1/4 turn washerless ceramic disc valve cartridges. Brass spout. One-half inch male inlet shanks with brass coupling nuts. 20 inch (500 mm) long flexible stainless steel drain cable is pre-assembled to spout. Metal Speed Connect® drain body with 1-1/4 inch (32 mm) tail piece. 1.2 gpm/4.5 L/min. maximum flow rate.

**PRODUCT FEATURES:**

**Brass Construction:** Durable. Easy to clean. Ideal for prolonged contact with water. Provides the finest surface for application of colors and finishes.

**Ceramic Disc Valve Cartridge:** Assures a lifetime of smooth handle operation and drip-free performance.

**Exclusive Speed Connect Metal Drain:**

- Fewer parts. Installs in less time.
- No adjustments required - seals the first time, every time.
- Flexible stainless steel cable - installs effortlessly in tight spaces.

**Lead Free:** Faucet contains ≤ 0.25% total lead content by weighted average.

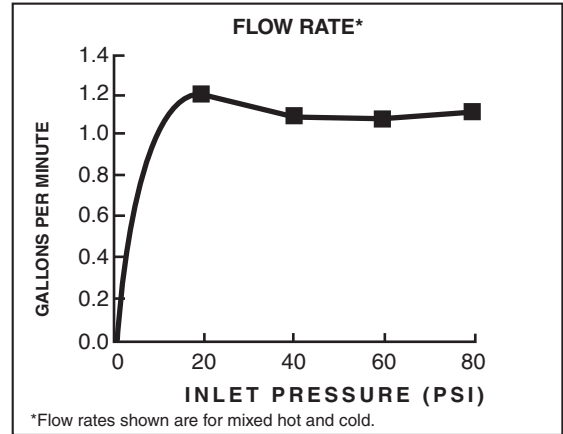
**SUGGESTED SPECIFICATION**


Two-handle widespread lavatory faucet shall feature cast brass valve bodies with flexible hose connections for 6" to 12" installations. Shall also feature 1/4 turn washerless ceramic disc valve cartridges. Shall also feature a metal drain body with stainless steel cable actuation. Fitting shall be American Standard Model #2064.831.\_\_\_\_\_.

**CODES AND STANDARDS**

These products meet or exceed the following codes and standards:

- ANSI A117.1**
- ASME A112.18.1**
- CSA B125.1**
- NSF 61/Section 9 and Annex G**



Product Number	Description	Finish Options	
		Polished Chrome	PVD Brushed Nickel
		002	295
2064.831	Serin Widespread with metal Speed Connect® pop-up drain. Metal lever handles.		

 Meets the American Disabilities Act Guidelines and **ANSI A117.1** Requirements for the physically challenged.