



36" Induction Freestanding Range

Induction Range

Available Products: PCFI3670AF

Available Colors: Stainless Steel

Version: 02/23

**Product Specifications**

**Cooktop**

|                             |                |
|-----------------------------|----------------|
| Bridge Element Location     | Right and Left |
| Cooking Surface Type        | Smooth         |
| Hot-Surface Indicator Light | Yes            |

**Cooking Controls**

|                     |     |
|---------------------|-----|
| Bake                | Yes |
| Bread Proof         | Yes |
| Broil               | Yes |
| Child Lock          | Yes |
| Convection Bake     | Yes |
| Convection Roast    | Yes |
| Cook Time           | Yes |
| Delay Clean         | Yes |
| Delay Start         | Yes |
| Keep Warm           | Yes |
| Kitchen Timer       | Yes |
| Probe               | Yes |
| Steam Clean         | Yes |
| Temperature Display | Yes |

**Controls**

|              |     |
|--------------|-----|
| Sabbath Mode | Yes |
|--------------|-----|

**Dimensions and Volume**

|                          |             |
|--------------------------|-------------|
| Minimum Height           | 35 3/16"    |
| Maximum Height           | 36 3/16"    |
| Width                    | 35 15/16"   |
| Depth                    | 24 13/16"   |
| Depth With Door 90° Open | 43 15/16"   |
| Depth With Handle        | 27"         |
| Oven Interior Height     | 14 1/2"     |
| Oven Interior Width      | 28 1/4"     |
| Oven Interior Depth      | 16 1/2"     |
| Oven Capacity            | 4.4 Cu. Ft. |

**Installation**

|                          |              |
|--------------------------|--------------|
| Adjustable Leveling Legs | Yes          |
| Plinth                   | Yes          |
| Included Power Cord Type | 4-Prong Plug |

**Certifications and Approvals**

|                      |     |
|----------------------|-----|
| ADA Compliant        | Yes |
| Star-K Certification | Yes |

**Cooktop Performance**

|                                  |                             |
|----------------------------------|-----------------------------|
| Right Front Element Burner Size  | 7 1/10"                     |
| Right Rear Element Burner Size   | 7 1/10"                     |
| Left Front Element Burner Size   | 7 1/10"                     |
| Left Rear Element Burner Size    | 7 1/10"                     |
| Center Front Element Burner Size | 10 1/4"                     |
| Right Front Element Burner       | 1,850 / 3,000 Watts (Boost) |
| Right Rear Element Burner        | 1,850 / 3,000 Watts (Boost) |
| Left Front Element Burner        | 1,850 / 3,000 Watts (Boost) |
| Left Rear Element Burner         | 1,850 / 3,000 Watts (Boost) |
| Center Element Burner            | 2,600 / 3,700 Watts (Boost) |

**Oven**

|                           |                    |
|---------------------------|--------------------|
| Bake Element              | 3,300 Watts        |
| Bake Element Type         | Hidden             |
| Broil Element             | 3,300 Watts        |
| Convection Element        | 3,380 Watts        |
| Convection Type           | True Dual          |
| Number of Convection Fans | 2                  |
| Number of Rack Positions  | 5                  |
| Oven Interior Color       | Gray               |
| Oven Light Quantity       | 2                  |
| Oven Light Type           | Halogen            |
| Oven Light Watts          | 40 Watts           |
| Rack Position Type        | Ladder             |
| Rack Type 1               | Flat               |
| Rack Type 1 Quantity      | 2                  |
| Rack Type 2               | Glide              |
| Rack Type 2 Quantity      | 1                  |
| Window Type               | Extra Large Window |

**Display**

|                     |       |
|---------------------|-------|
| Control Location    | Front |
| Display Light Color | White |
| Display Type        | LED   |

**Electrical Specifications**

|                  |         |
|------------------|---------|
| Amps @ 240 Volts | 50 Amps |
| Voltage Rating   | 240 V   |

36" Induction Freestanding Range

Induction Range

Available Products: PCFI3670AF

Available Colors: Stainless Steel

Version: 02/23

### General Specifications

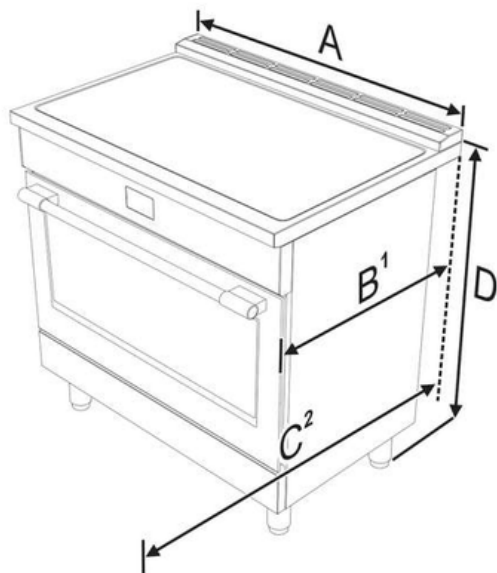
|                  |        |
|------------------|--------|
| Prop 65 Label    | Yes    |
| Warranty - Labor | 1 Year |
| Warranty - Parts | 1 Year |

### Safety Certifications and Approvals

|            |     |
|------------|-----|
| CSA Listed | Yes |
| RoHS       | Yes |

## Installation Diagram

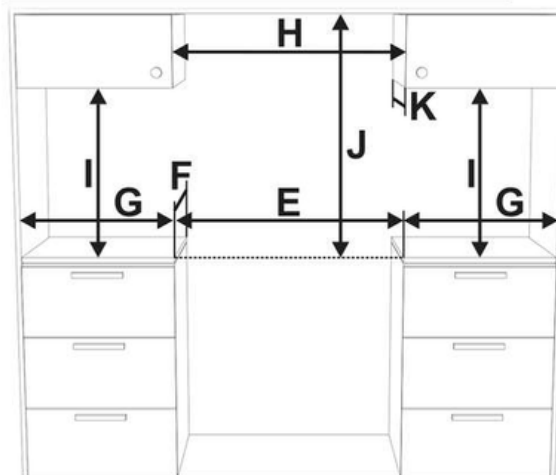
### Product Dimensions



|                      |                                |                                  |
|----------------------|--------------------------------|----------------------------------|
| <b>A</b>             | 912.4 mm                       | 35 15/16"                        |
| <b>B<sup>1</sup></b> | min: 627 mm<br>max: 631 mm     | min: 24 11/16"<br>max: 24 13/16" |
| <b>C<sup>2</sup></b> | 1116 mm                        | 43 15/16"                        |
| <b>D</b>             | min: 893.8 mm<br>max: 944.6 mm | min: 35 3/16"<br>max: 37 3/16"   |

1. Measurement **B** varies according to the model: the minimum is obtained without the rear spacers (see "Island installation") and the maximum is obtained for traditional installation (slot-in installation - with the rear spacers).
2. Measurement **C** refers to the open door.

### Cabinet clearances



|          |                 |          |
|----------|-----------------|----------|
| <b>E</b> | 914 mm          | 36"      |
| <b>F</b> | 603 mm          | 23" 3/4  |
| <b>G</b> | 178 mm          | 7"       |
| <b>H</b> | min. 914 mm     | min. 36" |
| <b>I</b> | min. 457 mm     | min. 18" |
| <b>J</b> | see notes below |          |
| <b>K</b> | max. 330 mm     | max. 13" |

Clearance **J** can have the following values:

- **J = 30" / 762 mm** minimum clearance between the top of the cooking surface and the bottom of an unprotected wood or metal cabinet.
- **J = 24" / 610 mm** minimum when the bottom of wood or metal cabinet is protected by not less than 1/4-inch-thick flame-retardant millboard covered with not less than No. 28 MSG sheet steel, 0.015-inch-thick stainless steel, 0.024-inch-thick aluminum, or 0.020-inch-thick copper. Clearances from non-combustible materials are not part of the ANSI Z21.1 scope and are not certified by CSA. Clearances of less than 30" should be approved by the local codes and/or by the local authority having jurisdiction.