



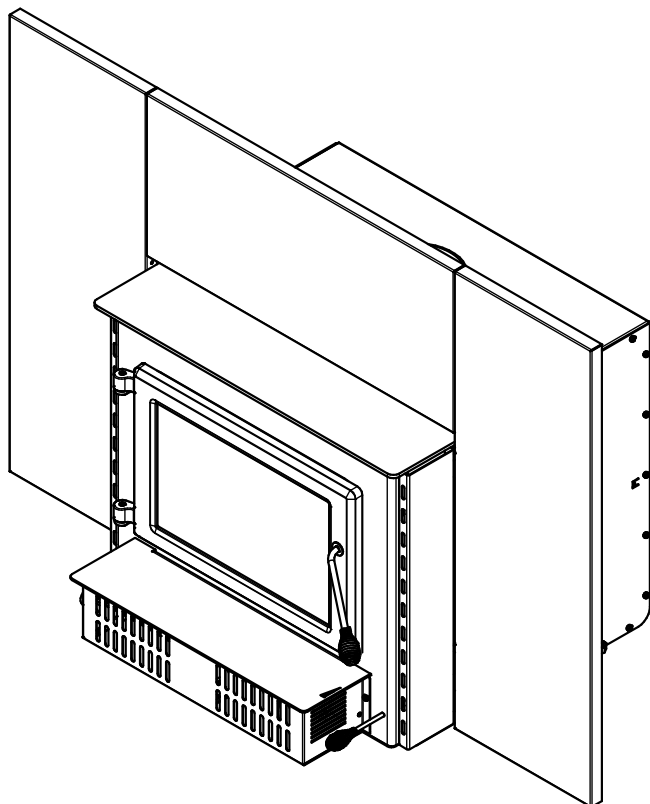
# Wood Insert Owner's Manual

## Part 2 of 2

### INSTALLATION AND OPERATION REQUIREMENTS

## BLUE RIDGE 300-I INSERT (ESW0009 Model)

ENGLISH



Safety tested according to ULC S628, UL 1482 and UL 737 by an accredited laboratory.

US Environmental Protection Agency phase II certified wood insert compliant with 2020 cord wood standard.



CONTACT LOCAL BUILDING OR FIRE OFFICIALS ABOUT RESTRICTIONS AND INSTALLATION INSPECTION REQUIREMENTS IN THE AREA.

READ THIS ENTIRE MANUAL BEFORE INSTALLATION AND USE OF THIS WOOD INSERT. FAILURE TO FOLLOW THESE INSTRUCTIONS COULD RESULT IN PROPERTY DAMAGE, BODILY INJURY OR EVEN DEATH.

**READ AND KEEP THIS MANUAL FOR REFERENCE**

### ONLINE WARRANTY REGISTRATION

If the unit requires repairs during the warranty period, proof of purchase must be provided. The purchase invoice must be kept. The date indicated on it establishes the warranty period. If it can not be provided, the warranty period will be determined by the date of manufacture of the product. It is also highly recommended to register the warranty online at



<https://www.englander-stoves.com/ca/en/warranty-registration>

Registering the warranty will help to quickly find the information needed on the unit.

Dealer: \_\_\_\_\_

\_\_\_\_\_

Installer: \_\_\_\_\_

\_\_\_\_\_

Phone Number: \_\_\_\_\_

**Serial Number:** \_\_\_\_\_

# CERTIFICATION PLATE



REFER TO INTERTEK'S DIRECTORY OF BUILDING PRODUCTS FOR DETAILED INFORMATION.  
SE RÉFÉRER AU RÉPERTOIRE DES PRODUITS HOMOLOGUÉS D'INTERTEK POUR PLUS D'INFORMATION.

STANDARDS / NORMES D'ESSAI:

Certified to / Certifié selon ULC 5628

Certified to / Certifié selon UL 1482

Certified to / Certifié selon UL 737

Certified to / Certifié selon CSA B415.1

Certified to / Certifié selon ASTM E2515

Certified to / Certifié selon ASTM E3053

LISTED SOLID FUEL BURNING  
INSERT APPLIANCE

APPAREIL ENCASTRABLE À  
COMBUSTIBLE SOLIDE HOMOLOGUÉ

MODEL / MODÈLE :

**BLUE RIDGE 300-I**

Control number: 4002461

(March/Mars 2022)

Serial Number

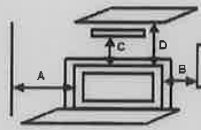
No. de Série

1

## Clearances to combustibles / Dégagements aux combustibles

Measured from insert body

Mesuré à partir de la chemise de l'encastable



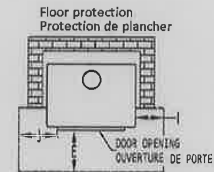
Combustible side wall  
Mur côté adjacent  
Combustible side surround [1]  
Parement latéral combustible (1)  
Combustible top surround [1]  
Parement supérieur combustible (1)  
Combustible mantle shelf [1]  
Tablette combustible (1)

A: 16 in./po. (406 mm)

B: 9 in./po. (229 mm)

C: 27 in./po. (686 mm)

D: 27 in./po. (686 mm)



E: 16 in./po. (406 mm) USA

18 in./po. (457 mm) CANADA

I: 8 in./po. (203 mm) CANADA

J: 8 in./po. (203 mm) USA

Blower / Ventilateur:  
115VOLTS, 0.8 AMPS, 60Hz

[1] Subject to a maximum protrusion (consult owner's manual) / Sujet à une saillie maximale (consultez le manuel d'instructions)

### PREVENT HOUSE FIRES

- Install and use only in accordance with the manufacturer's Installation and operating Instructions.
- Contact local building or fire officials about restrictions and Installation Inspection In your area.
- This stove must be installed as a freestanding heater with the clearances listed in the manufacturer's Installation Instructions. It is strictly forbidden to install this stove in a factory-built fireplace.
- Use with solid wood fuel only. Do not use other fuels.
- Risk of smoke and flame spillage. Operate only with door closed or door open with screen door installed. Open door or remove screen door only to feed the stove.
- Do not connect this unit to a chimney serving another appliance.
- Install only in masonry fireplaces. Do not remove bricks or mortar from masonry fireplace.
- The non-combustible floor protection in front of the unit should have an R value equal or greater than 1.00 extending 23 Inches (584 mm) in front of the insert if the hearth elevation is lower than 5 Inches (127 mm) or extend 16 Inches (406 mm) (USA), 18 Inches (457 mm) (CANADA) without a R value if the hearth elevation is higher than 5 Inches (127 mm).
- Connect to a code-approved masonry chimney or listed factory-built fireplace chimney with a direct flue connector into the first chimney liner section.
- Do not overfire. If stove or chimney connector glows, you are overfiring.
- Inspect and clean chimney frequently. Under certain conditions of use, creosote buildup may occur rapidly.
- Do not use grate or elevate fire. Build wood fire directly on hearth.
- Replace glass only with ceramic glass 3/16 in. (5mm).
- This wood heater needs periodic inspection and repair for proper operation. Consult the owner's manual for further information. It is against US federal regulations to operate this wood heater in a manner inconsistent with the operating Instructions in the owner's manual.

### PRÉVENEZ LES INCENDIES

- Installer et utiliser conformément au manuel d'utilisation du fabricant.
- Contacter les autorités de votre localité ayant juridiction concernant les restrictions et inspections d'installation.
- Ce poêle doit être installé comme appareil de chauffage autonome avec les dégagements indiqués dans les Instructions d'installation du fabricant. Il est strictement défendu d'installer ce poêle dans un foyer préfabriqué.
- Utiliser avec le bois seulement. Ne pas utiliser d'autres combustibles.
- Risque de fuite de fumée et de flammes. Utiliser l'appareil la porte fermée ou ouverte avec le pare-étincelle en place uniquement. Ouvrir la porte ou retirer le pare-étincelle seulement lors du chargement.
- Ne pas raccorder à un conduit de fumée servant déjà pour un autre appareil.
- Installer seulement dans un foyer de maçonnerie. Ne pas enlever les briques ou le mortier du foyer de maçonnerie.
- La protection de plancher incombustible au devant de l'encastable devrait avoir un facteur d'isolation R égal ou supérieure à 1.00 et se prolonger 23 pouces (584 mm) au devant de l'appareil lorsque l'âtre possède moins de 5 pouces (127 mm) d'élévation et se prolonger 16 pouces (406 mm) (USA), 18 pouces (457 mm) (CANADA), sans facteur d'isolation R au devant de l'encastable lorsque l'âtre possède plus de 5 pouces (127 mm) d'élévation.
- Raccorder à une cheminée de maçonnerie respectant les codes ou à une cheminée préfabriquée homologuée, directement à la première section de cheminée gainée.
- Ne pas surchauffer. Si l'appareil ou le tuyau rougit, il y a surchauffe.
- Inspecter et nettoyer la cheminée fréquemment. Dans certaines conditions, la formation de crésote peut être rapide.
- Ne pas utiliser de chenets ou de grilles pour élever le feu. Préparer le feu directement sur l'âtre.
- Remplacer la vitre avec un verre de céramique de 3/16 po. (5mm).
- Cet appareil de chauffage requiert des inspections et réparations périodiques. Consulter le manuel de l'utilisateur pour plus d'information. Opérer cet appareil de chauffage de façon inconsistante par rapport au manuel de l'utilisateur consiste une violation de la loi fédérale (USA).

U.S. ENVIRONMENTAL PROTECTION AGENCY Certified to comply with 2020 particulate emission standards using cordwood.  
AGENCE DE PROTECTION DE L'ENVIRONNEMENT DES É.-U. Conforme aux normes d'émission de particules de 2020 avec bûche de bois.  
Weighted average emission rate / Moyenne pondérée des émissions: 2.3 g/h  
Tested and certified in compliance with CFR 40 part 60, subpart AAA, section 60.534(a)(1)(ii)



WARNING: This product can expose you to carbon monoxide, which is known to the State of California to cause cancer, birth defects or other reproductive harm.  
(For more information go to [www.p65warnings.ca.gov](http://www.p65warnings.ca.gov))



## CAUTION

- HOT WHILE IN OPERATION.
- DO NOT TOUCH. KEEP CHILDREN, CLOTHING AND FURNITURE AWAY.
- CONTACT MAY CAUSE SKIN BURNS. SEE NAME-PLATE AND INSTRUCTIONS.

## ATTENTION

- CHAUD EN FONCTIONNEMENT.
- NE PAS TOUCHER. GARDER LES ENFANTS, LES VÊTEMENTS ET LES MEUBLES ÉLOIGNÉS.
- UN CONTACT AVEC LA PEAU PEUT OCCASIONNER DES BRÛLURES. VOIR LES INSTRUCTIONS.

R27897

Made in St-Augustin-de-Desmaures (Qc), Canada  
03/10/2022 (# test)

**Englander**

Fabriqué à St-Augustin-de-Desmaures (Qc), Canada  
03/10/2022 (# test)



# TABLE OF CONTENTS

<b>1. General Information .....</b>	<b>6</b>
1.1 Performances .....	6
1.2 Specifications .....	7
1.3 Dimensions .....	8
1.4 EPA Loading.....	10
<b>2. Clearances to Combustible Material.....</b>	<b>11</b>
2.1 Minimum Masonry Opening and Clearances to Combustibles .....	11
2.2 Floor Protection .....	12
2.3 R Value .....	13
<b>3. Installing Options on Your Product and Replacing Parts.....</b>	<b>15</b>
3.1 Replacement and Adjustment .....	15
3.2 Mandatory Installation .....	17
3.3 Blower and Ash Lip Installation .....	19
3.4 Faceplate and Trims Installation .....	20
3.5 Optional Fresh Air Intake Kit Installation.....	22
3.6 Optional Fire Screen Installation.....	23
3.7 Air Tubes and Baffle Installation .....	24
3.8 Log retainers installation.....	27
3.9 Removal Instructions.....	28
3.10 Exploded Diagram and Parts List .....	29
<b>ENGLANDER LIMITED LIFETIME WARRANTY .....</b>	<b>32</b>

# 1. General Information

## 1.1 Performances

Values are as measured per test method, except for the recommended heating area, firebox volume, maximum burn time and maximum heat output.

Models	Blue Ridge 300-I (ESW0009)	
Type of combustion	Non catalytic	
Fuel Type	Dry Cordwood	
Recommended heating area (sq. ft.) <sup>1</sup>	500 to 2,100 ft <sup>2</sup> (47 to 195 m <sup>2</sup> )	
Overall Firebox Volume <sup>2</sup>	2.4 ft <sup>3</sup> (0.068 m <sup>3</sup> )	
EPA Loading volume	1.95 ft <sup>3</sup> (0.055 m <sup>3</sup> )	
Maximum burn time <sup>1</sup>	8 hours	
Maximum heat output (dry cordwood) <sup>2</sup>	75,000 BTU/h (22.0 kW)	
Overall heat output rate (min. to max.) <sup>3 4</sup>	14,200 BTU/h to 44,500 BTU/h (4.16 kW to 13.04 kW)	
Average overall efficiency <sup>3</sup> - Dry cordwood	72 % (HHV) <sup>5</sup>	77 % (LHV) <sup>6</sup>
Optimum overall efficiency <sup>7</sup>	79 %	
Optimum heat transfert efficiency <sup>8</sup>	76 %	
Average particulate emissions rate <sup>9</sup>	2.3 g/h (EPA / CSA B415.1) <sup>10</sup>	
Average CO <sup>11</sup>	69 g/h	

ENGLISH

<sup>1</sup> Recommended heating area and maximum burn time may vary subject to location in home, chimney draft, heat loss factors, climate, fuel type and other variables. The recommended heated area for a given appliance is defined by the manufacturer as its capacity to maintain a minimum acceptable temperature in the designated area in case of a power failure.

<sup>2</sup> The overall firebox calculation is an approximation and is not intended to be used for loading. This volume includes a buffer zone to allow an easier fuel insertion, prevent ash spillage and allow the air wash to work properly.

<sup>3</sup> The maximum heat output (dry cordwood) is based on a loading density varying between 15 lb/ft<sup>3</sup> and 20 lb/ft<sup>3</sup>. Other performances are based on a fuel load prescribed by the standard. The specified loading density varies between 7 lb/ft<sup>3</sup> and 12 lb/ft<sup>3</sup>. The moisture content is between 19% and 25%.

<sup>4</sup> As measured per CSA B415.1 stack loss method.

<sup>5</sup> Higher Heating Value of the fuel.

<sup>6</sup> Lower Heating Value of the fuel.

<sup>7</sup> Optimum overall efficiency at a specific burn rate (LHV).

<sup>8</sup> The optimum heat transfer efficiency is for the low burn rate and represents the appliance's ability to convert the energy contained in the wood logs into energy transferred to the room in the form of heat and does not take into account the chemical losses during combustion.

<sup>9</sup> This appliance is officially tested and certified by an independent agency.

<sup>10</sup> Tested and certified in compliance with CFR 40 part 60, subpart AAA, section 60.534(a)(1)(ii) and ASTM E3053. Based on ALT-125 sent by EPA on February 28th, 2018.

<sup>11</sup> Carbon monoxide.

## 1.2 Specifications

Recommended log length	16 in (406 mm) east-west
Maximum log length <sup>1</sup>	20 in (508 mm) east-west
Flue outlet diameter	6 in (150 mm)
Recommended connector pipe diameter	6 in (150 mm)
Type of chimney	ULC S635, CAN/ULC-S640, UL 1777
Minimum liner height	12 feet
Baffle material	Vermiculite
Approved for alcove installation	Not applicable
Approved for mobile home installation <sup>2</sup>	No
Type of door	Simple, glass with cast iron frame
Type of glass	Ceramic glass
Blower	Included (up to 144 CFM)
Particulate emission standard	EPA / CSA B415.1 <sup>3</sup>
USA Standard (Safety)	UL 1482, UL 737
Canada Standard (Safety)	ULC-S628

<sup>1</sup> North-south: ends of the logs visible, East-west: sides of the logs visible.

<sup>2</sup> Mobile homes (Canada) or manufactured homes (USA): The US Department of Housing and Urban Development describes “manufactured homes” better known as “mobile homes” as follows; buildings built on fixed wheels and those transported on temporary wheels/axles and set on a permanent foundation. In Canada, a mobile home is a dwelling for which the manufacture and assembly of each component is completed or substantially completed prior to being moved to a site for installation on a foundation and connection to service facilities and which conforms to the CAN/CSAZ240 MH standard.

<sup>3</sup> Tested and certified in compliance with CFR 40 part 60, subpart AAA, section 60.534(a)(1)(ii) and ASTM E3053. Based on ALT-125 sent by EPA on February 28th, 2018.

### 1.3 Dimensions

ENGLISH

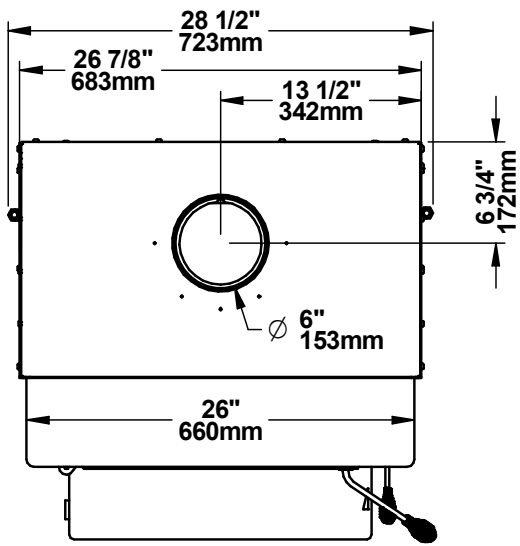


Figure 1: Top View

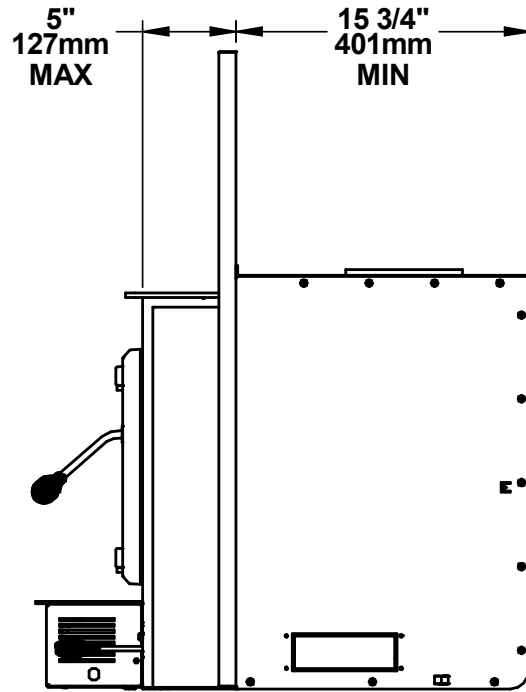


Figure 2: Side View - Maximum Insert Projection

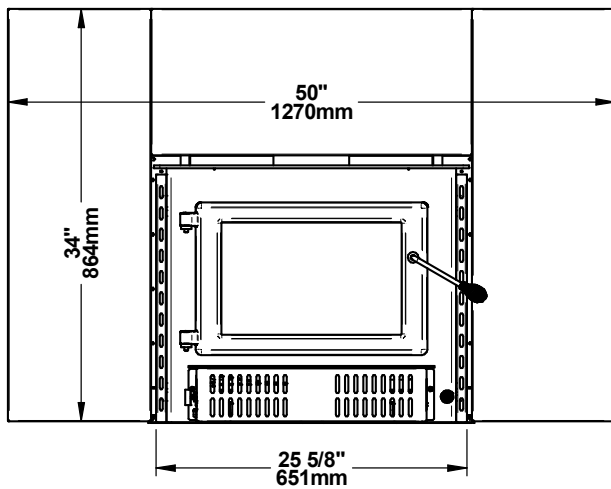


Figure 3: Front View

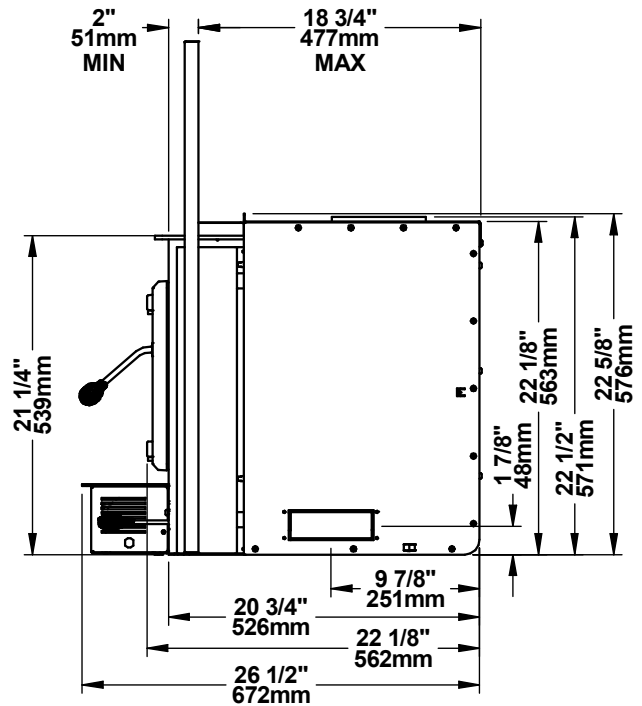


Figure 4: Side View - Minimum Insert Projection



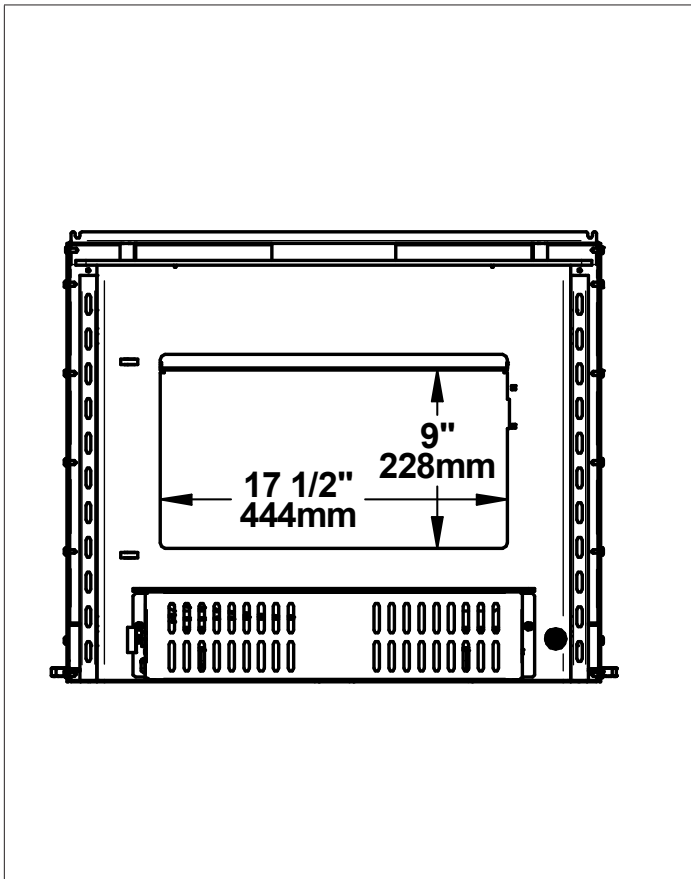


Figure 5 : Door Opening

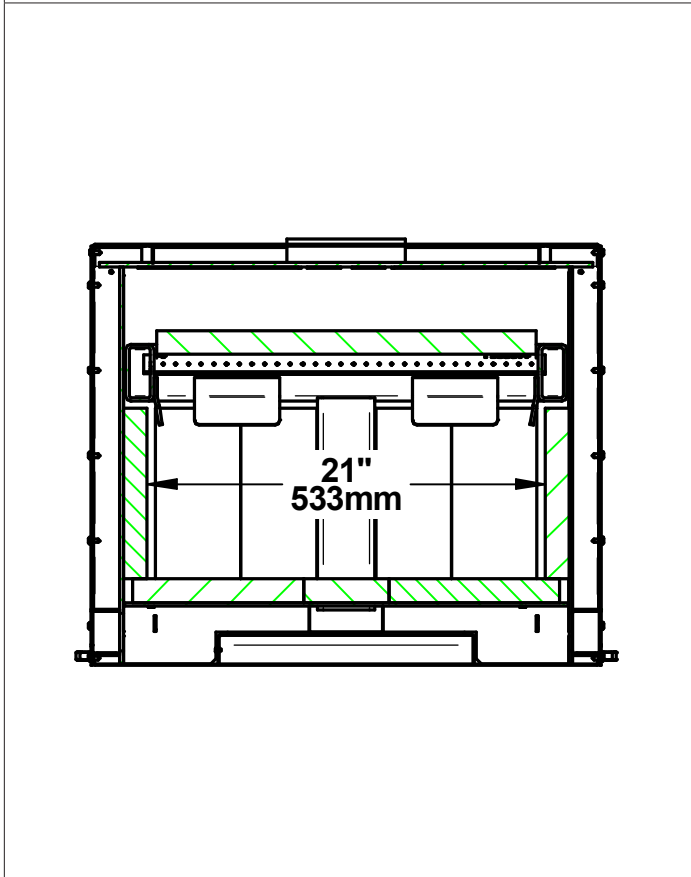


Figure 6 : Front View - Combustion Chamber

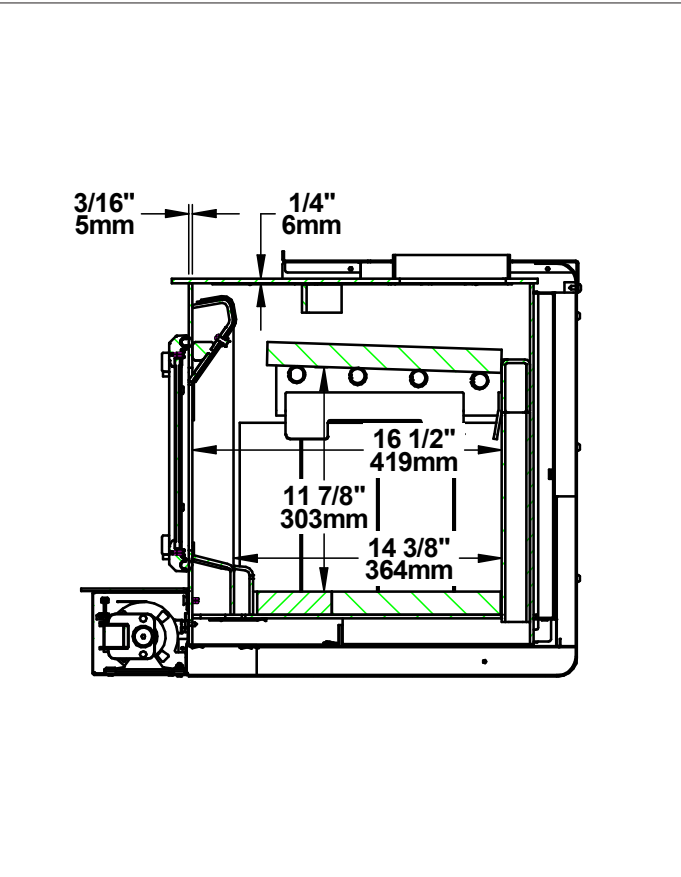


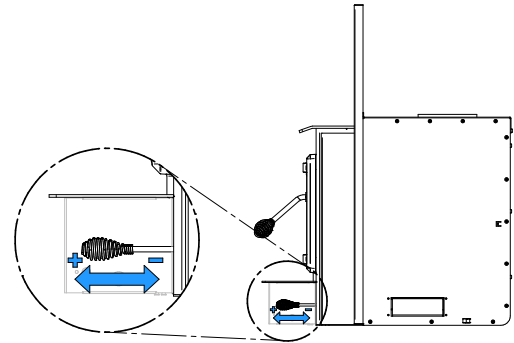
Figure 7 : Side View - Combustion Chamber

## 1.4 EPA Loading

The loading methods shown below are those that were used during emissions certification.

### 1.4.1 Air control

The air control is located underneath the ash shelf. To open the air control, pull the air control handle completely (High). This will increase the burn rate. To close the air control, push the air control handle completely toward the insert (Low). This will decrease the burn rate.



### 1.4.2 High burn rate

Open the air control completely. Place height small pieces (2" x 2") of wood in the firebox crossing them at the greatest possible angle. Criss cross 10 to 16 kindling wood pieces on the small pieces of wood in three layers at the greatest possible angle. Tie knot with five sheets of paper and place them on top of the kindling wood. Light up the paper and let the door ajar at 90° until all the kindling wood is on fire and the first row of small pieces of wood is on fire too. Close the door. When there is no more fire in the front of the firebox and there are only faint flames on the wood in the back of the firebox, break ashes, level the coal bed and put five logs in the firebox. Put 3 pieces on the coal bed, without air space between them. Leave one inch of air space between the rear firebrick and the first piece. The two other pieces should be added on top of the first 3, in an East-West configuration. Let the door ajar to leave a space of one inch on the door handle's side for 1 minute maximum and then close the door.

### 1.4.3 Medium and low burn rate

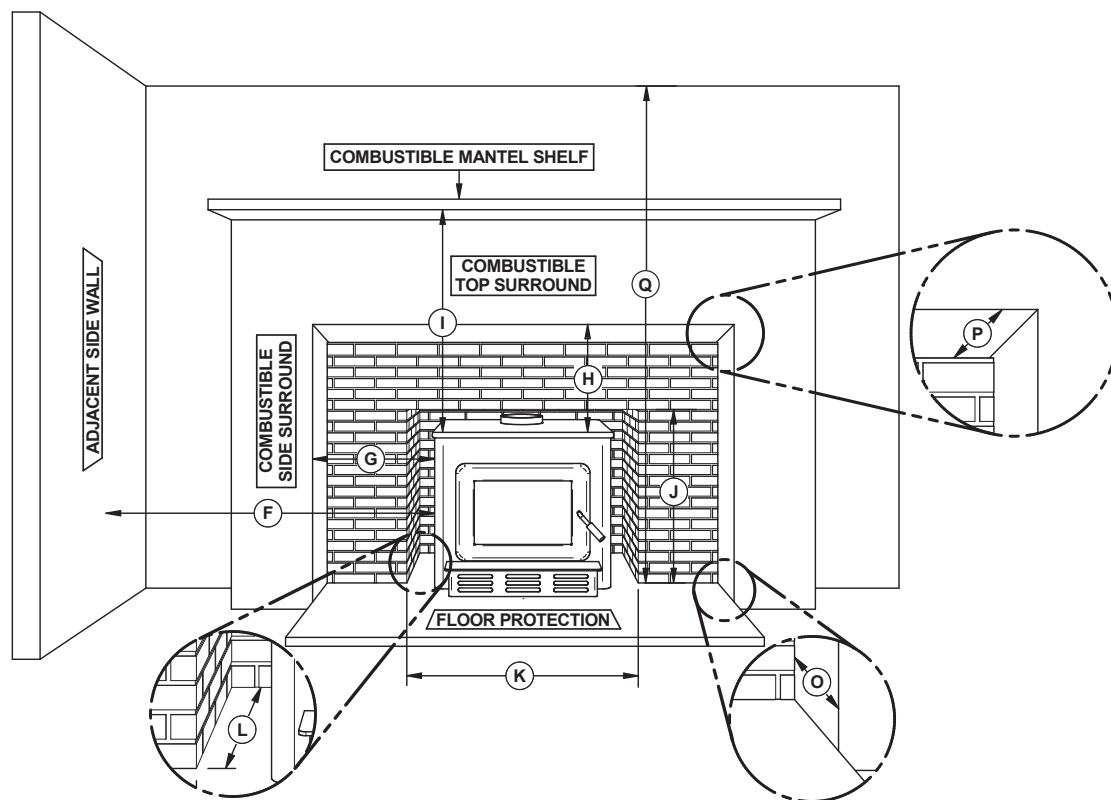
On a two inches thick coal bed that is still red, place three logs in an East-West orientation. There should be air space between each log and between the logs and the bricks. The two other pieces should be added on top of the first three, slightly angled of 20°. Let the door ajar at 90° for approximately 5 min. Then, close the door with the primary air control open. Leave to burn with the primary air control open for approximately 10 more minutes and then close the primary air control completely for the low burn rate and halfway for the medium burn rate. For better results, close the air control gradually from the closing of the door to the complete closing of the air control.

## 2. Clearances to Combustible Material

When the insert is installed so that its surfaces are at or beyond the minimum clearances specified, combustible surfaces will not overheat under normal and even abnormal operating conditions.

**NO PART OF THE INSERT MAY BE LOCATED CLOSER TO THE COMBUSTIBLE THAN THE MINIMUM CLEARANCE FIGURES GIVEN.**

### 2.1 Minimum Masonry Opening and Clearances to Combustibles



Masonry Opening and Clearances

	MINIMUM CLEARANCES
<b>F</b>	16" (406 mm)
<b>G</b>	9" (229 mm)
<b>H</b>	27" (686 mm)
<b>I</b>	27" (686 mm)
<b>Q</b>	84" (213 cm)

	MAXIMUM THICKNESS
<b>O</b>	5" (127 mm)
<b>P</b>	12" (305 mm)

	MINIMUM MASONRY OPENING
<b>J</b>	23 3/8" (594 mm)
<b>K<sup>1</sup></b>	28 7/8" (733 mm)
<b>L</b>	15 3/4" (400 mm)

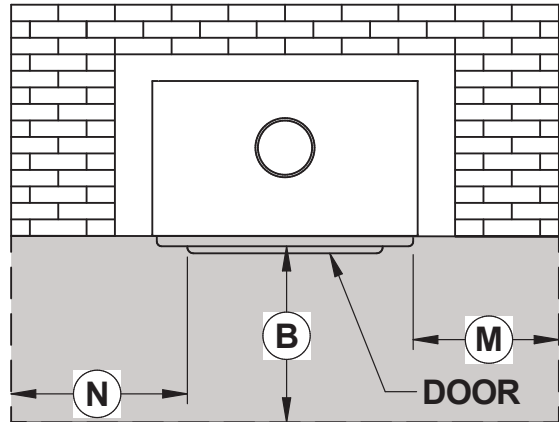
<sup>1</sup> If a fresh air intake is required, it is recommended to add at least 4" to the width of the minimum opening of the hearth.

## 2.2 Floor Protection

It is necessary to have a floor protection made of non-combustible materials that meets the measurements specified in the ["Table 1 : Floor Protection"](#) below.

**Table 1 : Floor Protection**

	FLOOR PROTECTION	
	Canada	USA
<b>B</b> <sup>1</sup>	18" (457 mm)	16" (406 mm)
<b>M</b>	8" (203 mm)	N/A
<b>N</b>	N/A	8" (203 mm)

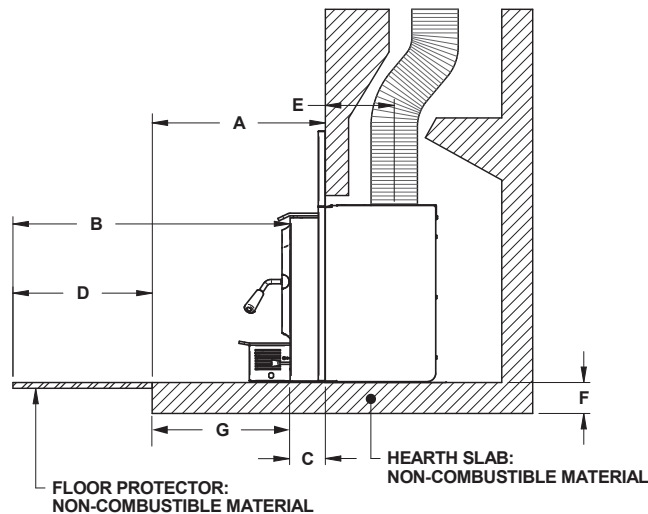


Floor Protection

ENGLISH

### 2.2.1 Installation Raised of 5" (127 mm) and Less

If non-combustible material floor protection needs to be added in front of and level with the hearth extension of the masonry fireplace (F = 5" [127 mm] or less), an R-value equal to or greater than 1.00 is required and should extend at least 23" (584 mm) in front of the unit (**B**). Refer to ["Additional Floor Protection - Not Raised Installation"](#)

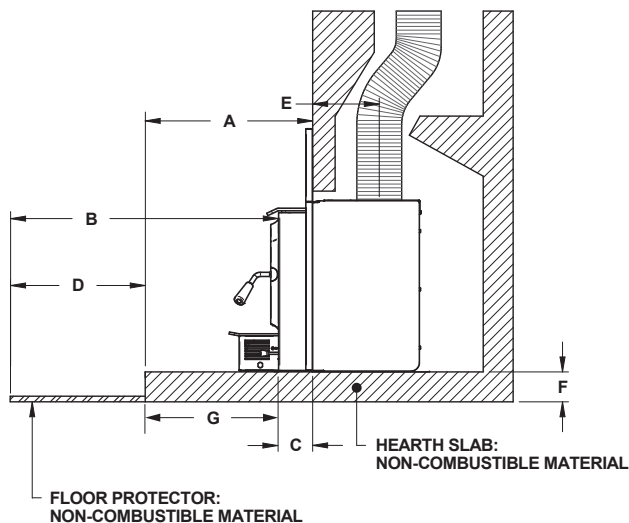


Additional Floor Protection - Not Raised Installation

<sup>1</sup>From door opening. The depth of the hearth extension in front of the insert is included in the calculation of the floor protector's dimensions. The masonry hearth should be at least 5" (127 mm) higher than the combustible floor in front of it and a floor protection must extend at least 16" (406 mm USA) and at least 18" (457 mm Canada) without an R value. If the hearth elevation is lower than 5" (127 mm), the non-combustible (B) floor protection in front of the insert should have an R value equal or greater than 1.00 and shall extend 23" (584 mm) in front of the unit.

### 2.2.2 Installation Raised of More Than 5" (127 mm)

If the extension of the masonry hearth is raised at least 5" (127 mm) from the floor protection, a non-combustible material, without an R-value, must extend at least 16" (406 mm in USA) or 18" (457 mm in Canada) in front of the unit **(B)**. Refer to ["Additional Floor Protection - Raised Installation"](#).



Additional Floor Protection - Raised Installation

### 2.3 R Value

There are two ways to calculate the R-value of the floor protection. First, by adding the R-values of materials used, or by the conversion if the K factor and thickness of the floor protection are given.

To calculate the total R value from R values of the materials used, simply add the R-values of materials. If the result is equal to or greater than the R-value requirements, the combination is acceptable. R-values of some selected materials are shown below.

**Table 2: Thermal Characteristics of Common Floor Protection Materials<sup>1</sup>**

MATERIAL	CONDUCTIVITY (K) PER INCH	RESISTANCE (R) PER INCH THICKNESS
Micore® 160	0.39	2.54
Micore® 300	0.49	2.06
Durock®	1.92	0.52
Hardibacker®	1.95	0.51
Hardibacker® 500	2.3	0.44
Wonderboard®	3.23	0.31
Cement mortar	5.00	0.2
Common brick	5.00	0.2
Face brick	9.00	0.11
Marble	14.3 – 20.00	0.07 – 0.05

<sup>1</sup> Information as reported by manufacturers and other resources.

<b>MATERIAL</b>	<b>CONDUCTIVITY (K) PER INCH</b>	<b>RESISTANCE (R) PER INCH THICKNESS</b>
Ceramic tile	12.5	0.008
Concrete	1.050	0.950
Mineral wool insulation	0.320	3.120
Limestone	6.5	0.153
Ceramic board (Fibremax)	0.450	2.2
Horizontal still air (1/8" thick) <sup>1</sup>	0.135	0,920**

**Example:**

Required floor protection R of 1.00. Proposed materials: four inches of brick and one inch of Durock® board:

Four inches of brick ( $R = 4 \times 0,2 = 0,8$ ) plus 1 inch of Durock® ( $R = 1 \times 0.52 = 0.52$ ).

$$0.8 + 0.52 = 1.32.$$

This R value is larger than the required 1.00 and is therefore acceptable.

In the case of a known K and thickness of alternative materials to be used in combination, convert all K values to R by dividing the thickness of each material by its K value. Add R values of the proposed materials as shown in the previous example.

**Example:**

K value = 0.75

Thickness = 1

R value = Thickness/K =  $1/0.75 = 1.33$

<sup>1</sup> Horizontal still air can't be «stack» to accumulate R-values; each layer must be separated with another non-combustible material.

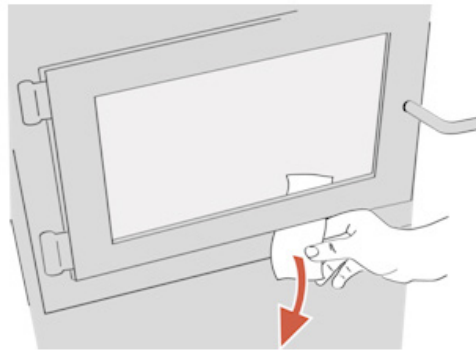
### 3. Installing Options on Your Product and Replacing Parts

#### 3.1 Replacement and Adjustment

##### 3.1.1 Door

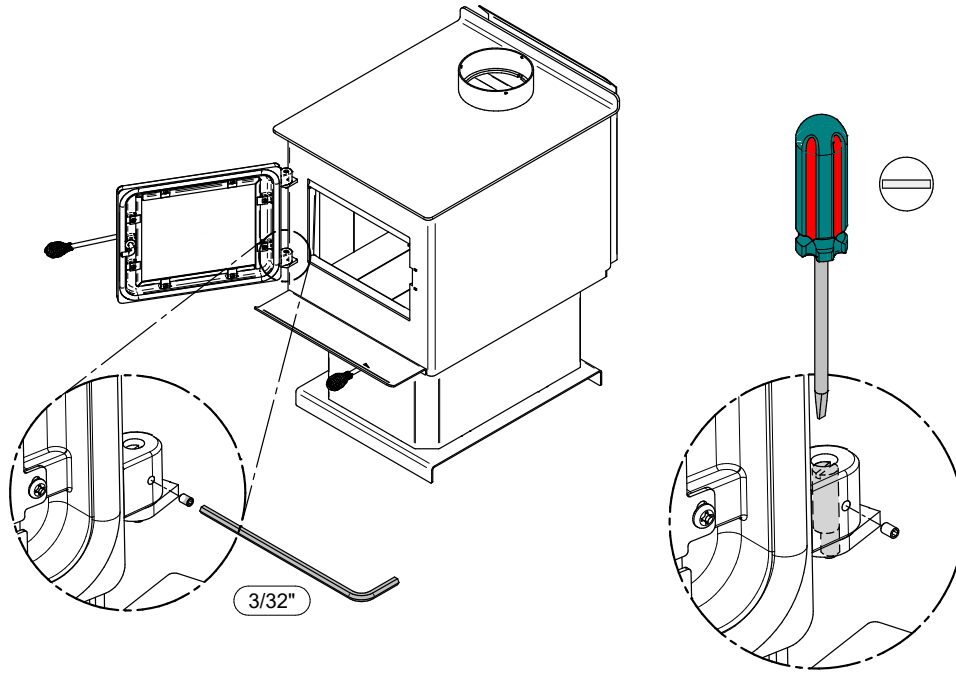
*Note: The images shown are for guidance only and may be different from your product, but the assembly remains the same.*

In order for the insert to burn at its best efficiency, the door must provide a perfect seal with the firebox. Therefore, the gasket should be inspected periodically to check for a good seal. The tightness of the door seal can be verified by closing and latching the door on a strip of paper. The test must be performed all around the door. If the paper slips out easily anywhere, either adjust the door or replace the gasket.



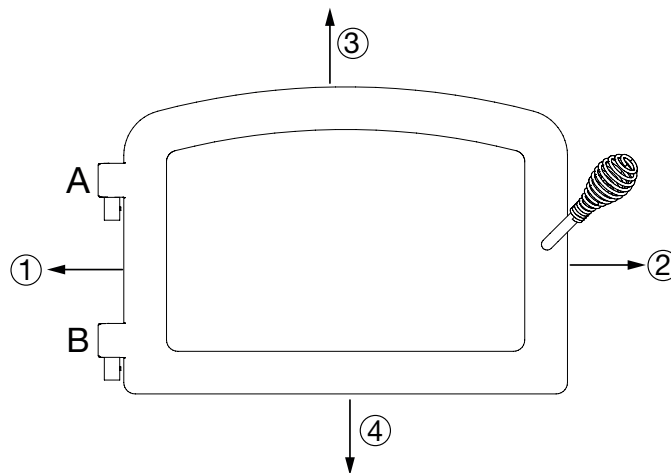
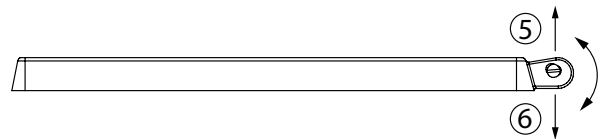
### 3.1.2 Door Alignment

To align, open the door and loosen the pressures screws located on the lower and upper hinges of the door using a 3/32" Allen key to free the adjustable hinge rods.



Using a flat screwdriver, turn the adjustable hinge rods in the direction shown to adjust the doors. Tighten all door hinge pressure screws when they are at the desired positions. Configurations 1-2-3-4-5-6, show in which direction these act on the adjustment of the door.

①	②	③	④
	A		A
	B		B

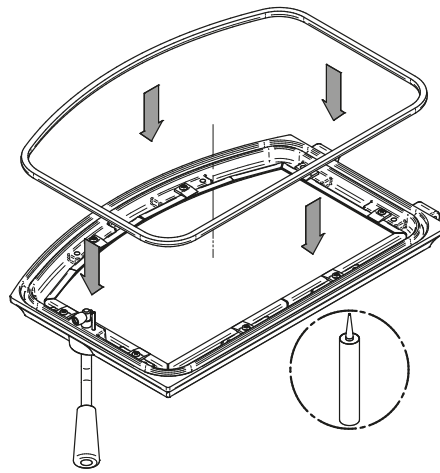




### 3.1.3 Gasket

It is important to replace the gasket with another having the same diameter and density to maintain a good seal.

1. Remove the door and place it face-down on something soft like a cushion of rags or a piece of carpet.
2. Remove the old gasket from the door. Use a screwdriver to scrape the old gasket adhesive from the door gasket groove.
3. Apply a bead of approximately 3/16" (5 mm) of high temperature silicone in the door gasket groove. Starting from the middle, hinges side, press the gasket into the groove. The gasket must not be stretched during installation.
4. Leave about 1/2" (10 mm) long of the gasket when cutting and press the end into the groove. Tuck any loose fibers under the gasket and into the silicone.
5. Close the door. Do not use the insert for 24 hours.



## 3.2 Mandatory Installation

- Empty the combustion chamber and install the air control handle **(A)** with the set screw **(B)** as shown below:

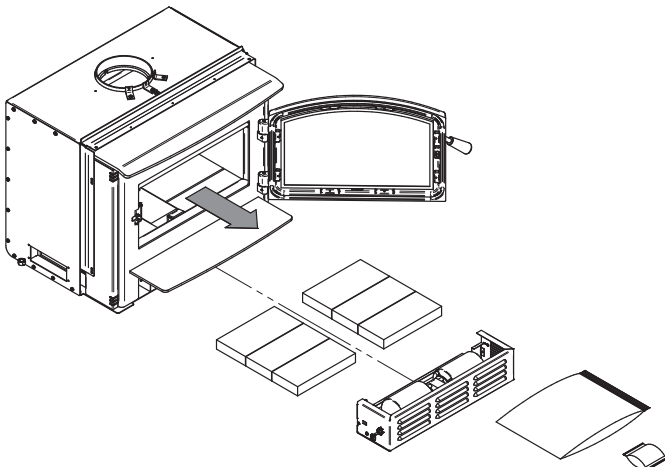


Figure 8 : Empty the combustion chamber

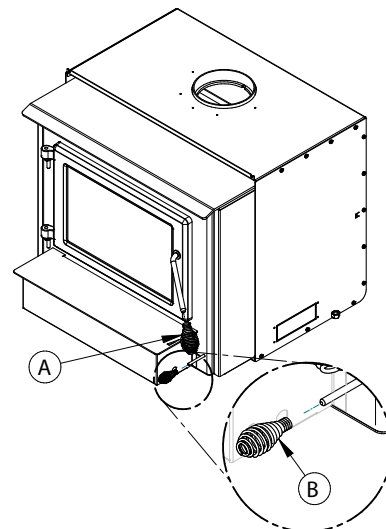


Figure 9 : Installing the air control wood handle

- Install the combustion chamber side bricks as shown below.

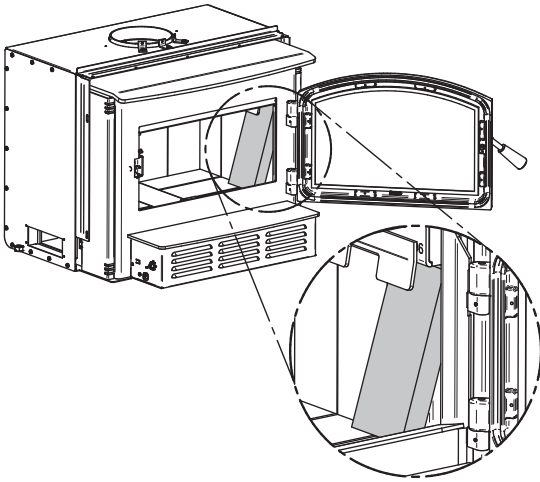


Figure 10: Install the Combustion Chamber Bricks

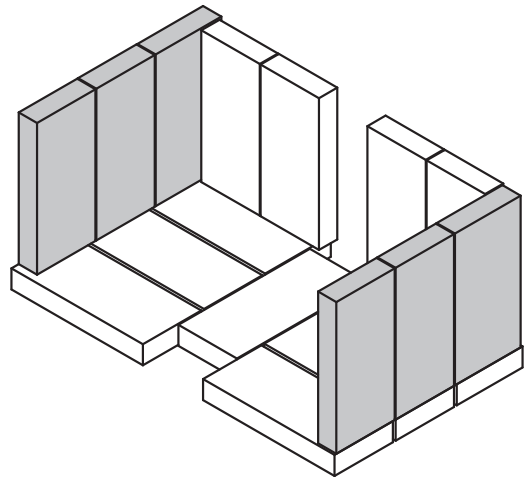
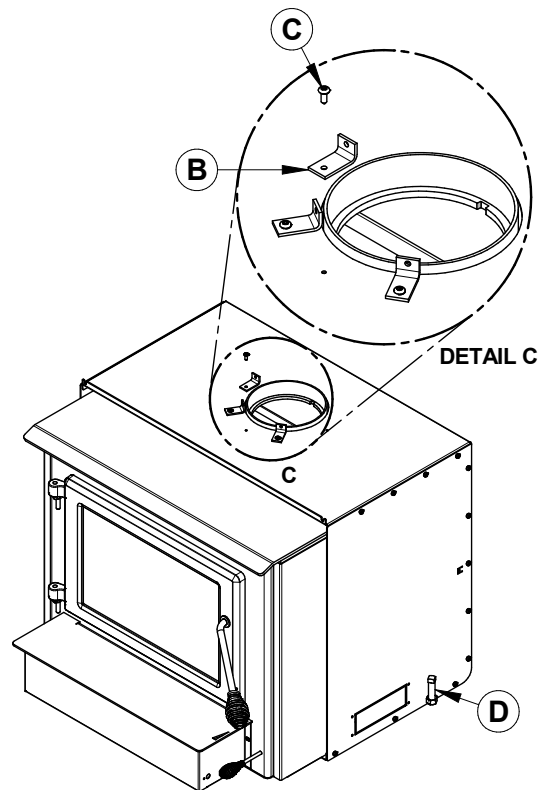


Figure 11: Combustion Chamber Bricks Layout

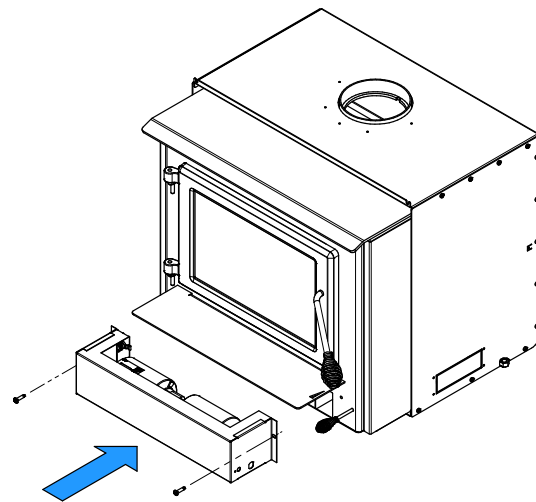
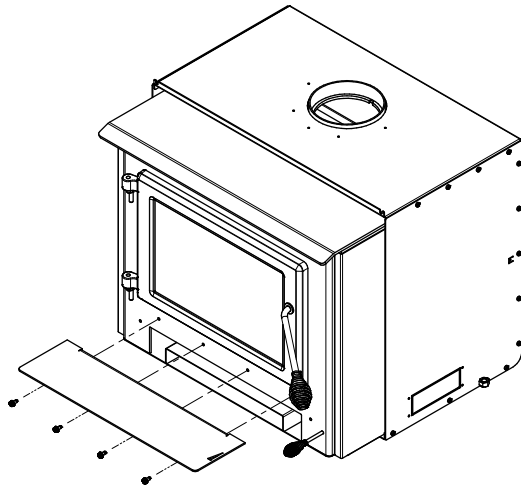
- Once the insert is properly positioned in the fireplace opening, secure the pipe with the pipe connectors **(B)** and screws **(C)** provided. Then tighten the floor fixing bolts located on each side of the unit **(D)**.



### 3.3 Blower and Ash Lip Installation

*Note: The images shown are for guidance only and may be different from your product, but the assembly remains the same.*

1. Install the ash lip on the insert with four screws.
2. Center the blower on the ash lip and push it against the firebox. Then push it until it clips.

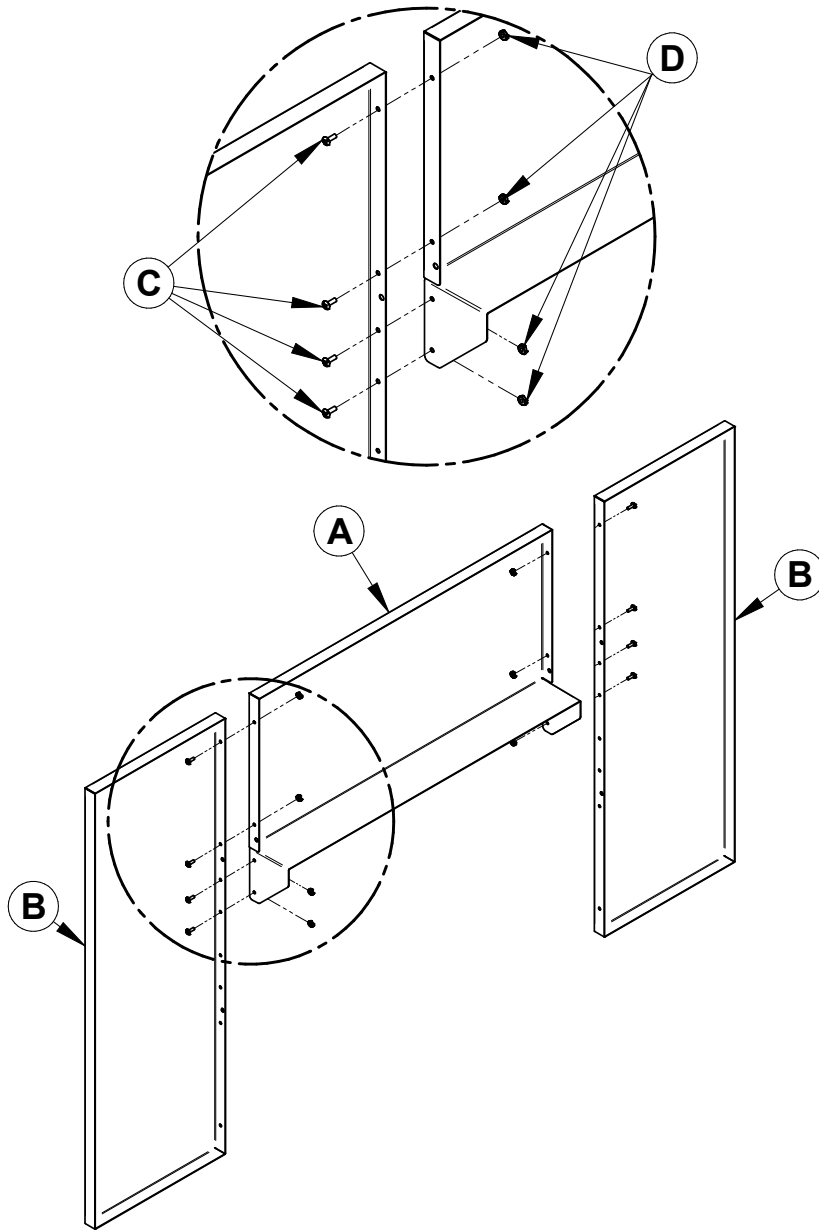


ENGLISH

### 3.4 Faceplate and Trims Installation

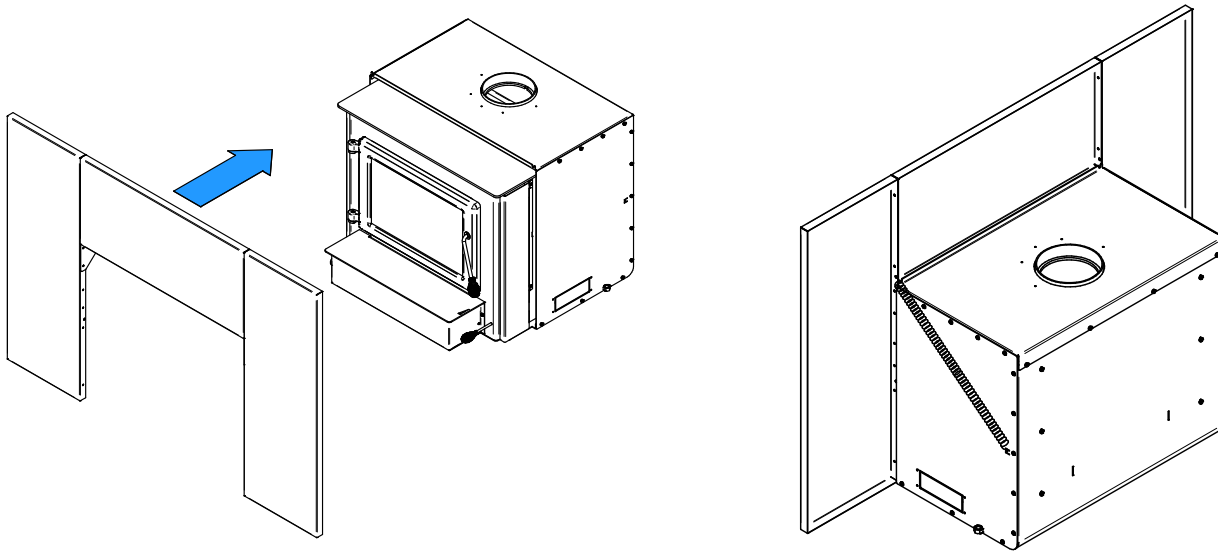
*Note: The images shown are for guidance only and may be different from your product, but the assembly remains the same.*

1. Lay the panels on a flat and non abrasive surface. Align the top panel holes **(A)** with the left and right panels **(B)**. Secure together using the bolts **(D)** and nuts **(C)** provided.



- Center the insert into the fireplace opening. Adjust its height using the leveling bolts on each side of the convection air jacket box until the faceplate is properly seated on the floor of the hearth extension.

Then install one faceplate retainer spring on each side of the faceplate and attach the other end of the spring to the brackets on the left and right sides of the insert. Push the faceplate against the fireplace's front.

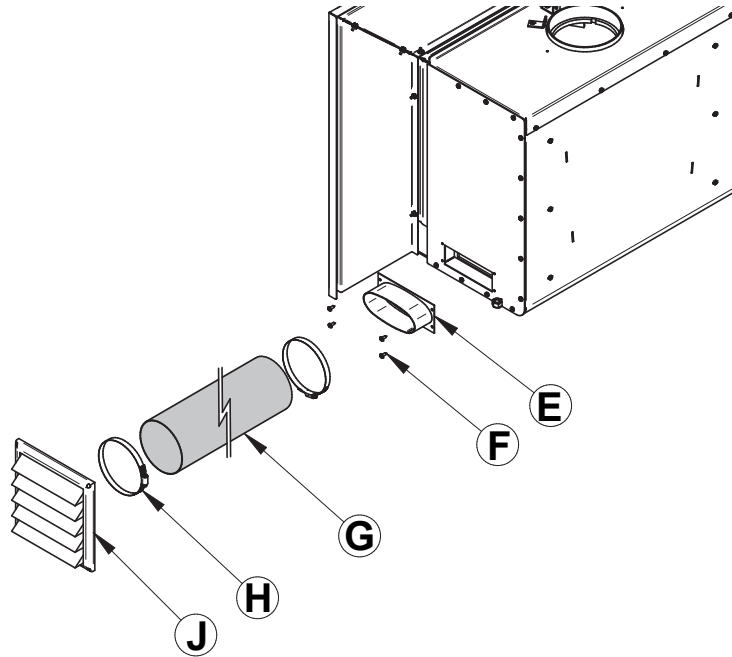


### 3.5 Optional Fresh Air Intake Kit Installation

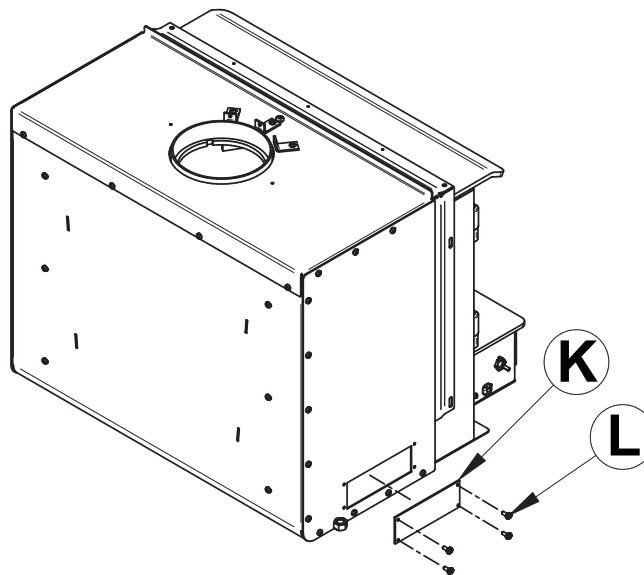
*Note: The images shown are for guidance only and may be different from your product, but the assembly remains the same.*

*The fresh air intake kit may be installed on the right or left end side of the unit. The unused side must be covered by the plate provided in the user manual kit.*

1. Install the fresh air intake adapter (**E**) with four screws (**F**) then secure the flexible pipe<sup>1</sup> (**H**) (not included) to the adapter using one of the pipe clamps (**G**). Secure the other end of the pipe to the outside wall termination (**J**) using the other pipe clamp. The outside wall termination must be installed outside of the home.



2. Install the plate (**K**) with four screws (**L**) on the unused side of the insert.



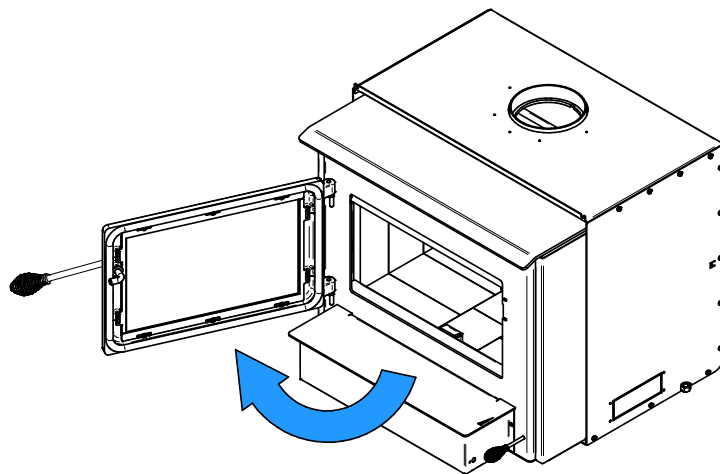
<sup>15</sup> The pipe must be HVAC type, insulated, and must comply with ULC S110 and/or UL 181, Class 0 or Class 1.

### 3.6 Optional Fire Screen Installation

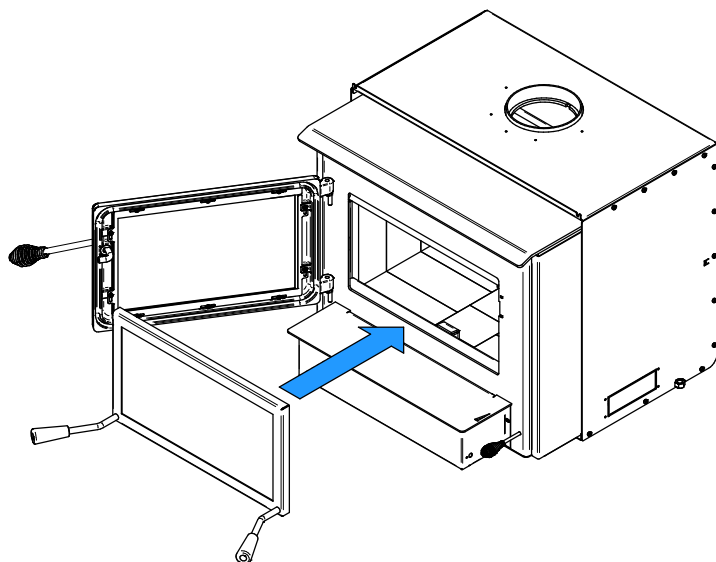
*Note: The images shown are for guidance only and may be different from your product, but the assembly remains the same.*

*In the United States or in provinces with a particulate emissions limit (e.g.: US EPA), the use of open-door wood stoves with a rigid firescreen is prohibited.*

1. Open the door.

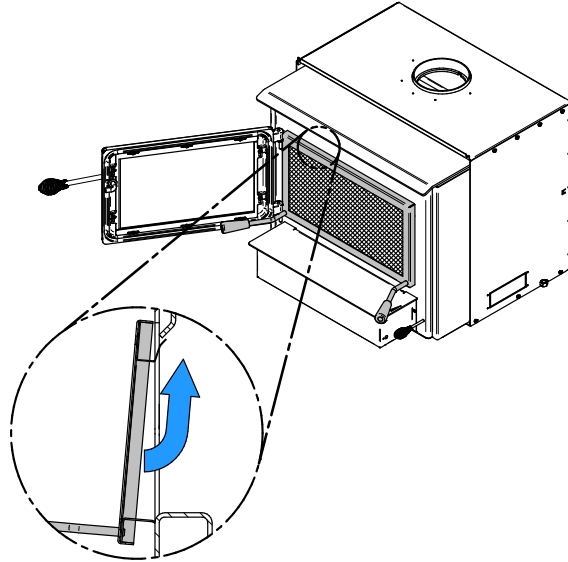


2. Hold the fire screen by the two handles and bring it close to the door opening.



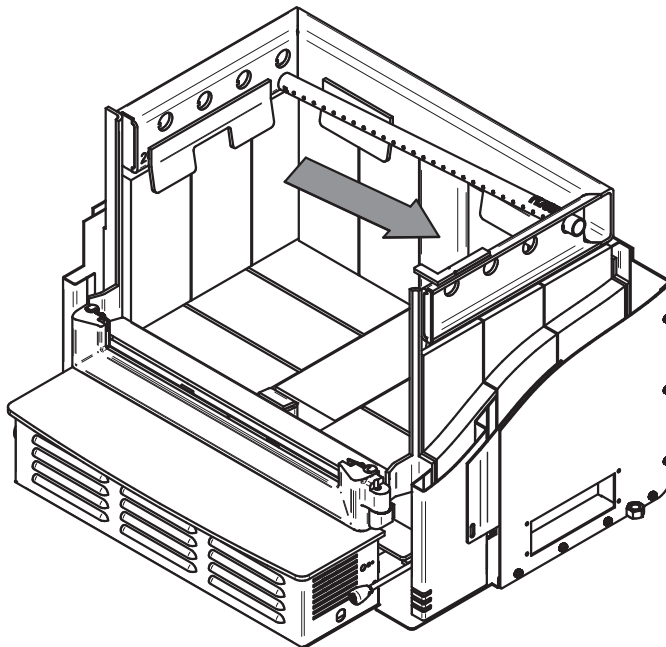
3. Lean the upper part of the fire screen against the top door opening making sure to insert the top fire screen brackets behind the primary air deflector.
4. Lift the fire screen upwards and push the bottom part towards the insert then let the fire screen rest on the bottom of the door opening.

**Warning: Never leave the insert unattended while in use with the fire screen.**



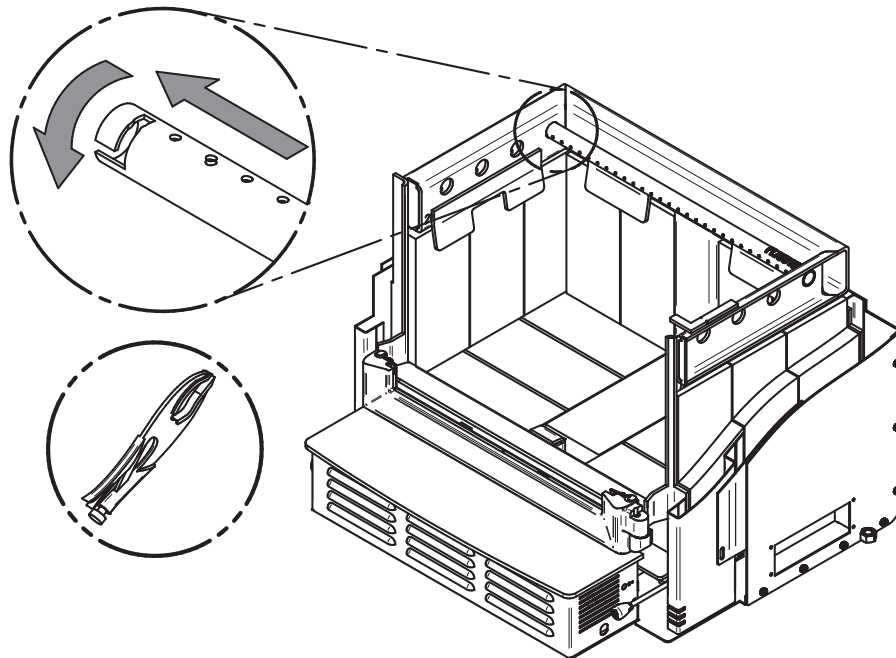
### 3.7 Air Tubes and Baffle Installation

1. Starting with the rear tube, lean and insert the right end of the secondary air tube into the rear right channel hole. Then lift and insert the left end of the tube into the rear left channel.

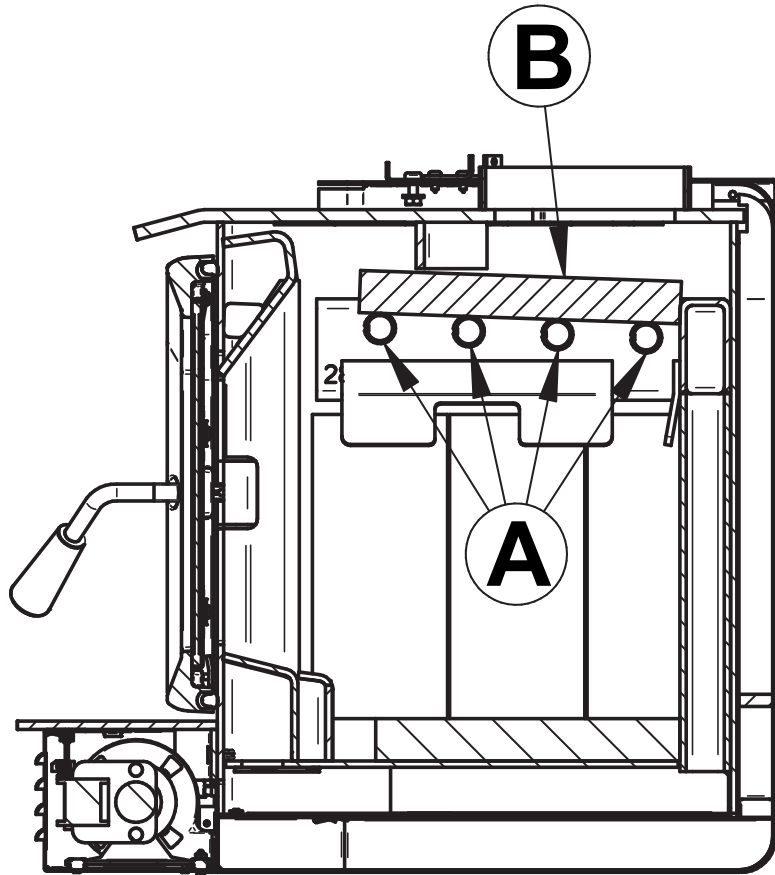
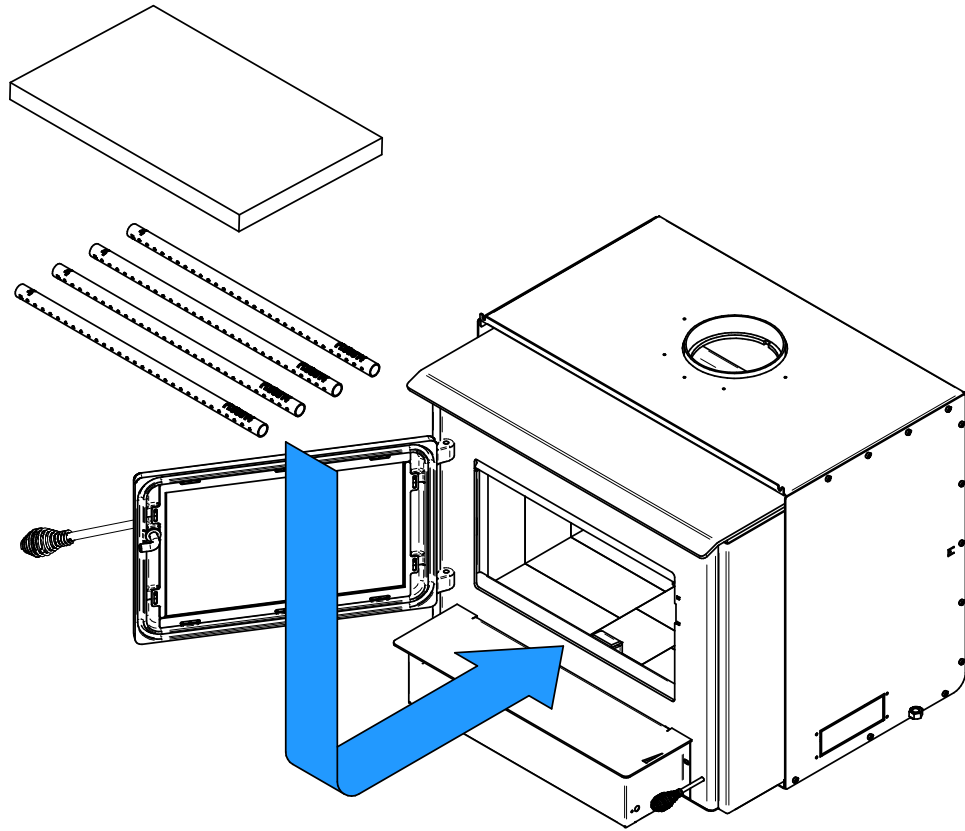




2. Align the notch in the left end of the tube with the key of the left air channel hole. Using a « Wise grip » hold the tube and lock it in place by turning the tube as shown. Make sure the notch reaches the end of the key way.
3. Install the baffle.
4. Repeat steps 1 and 2 for the three other tubes.
5. To remove the tubes use the above steps in reverse order.

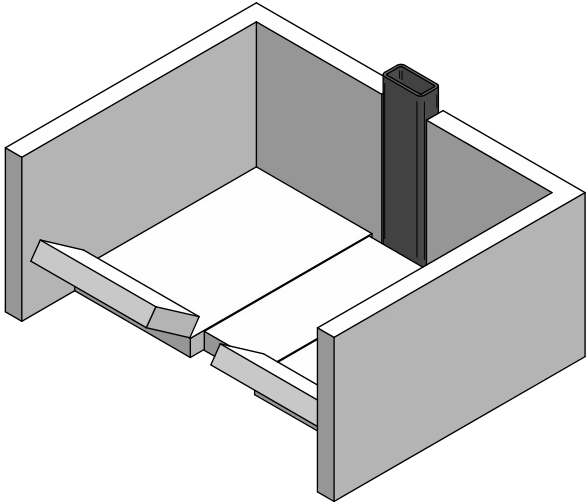


*Note that secondary air tubes (A) can be replaced without removing the baffle board (B) and that all tubes are identical.*

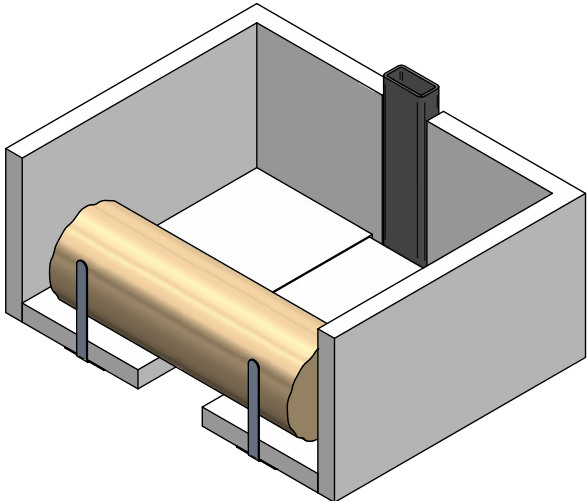


### 3.8 Log retainers installation

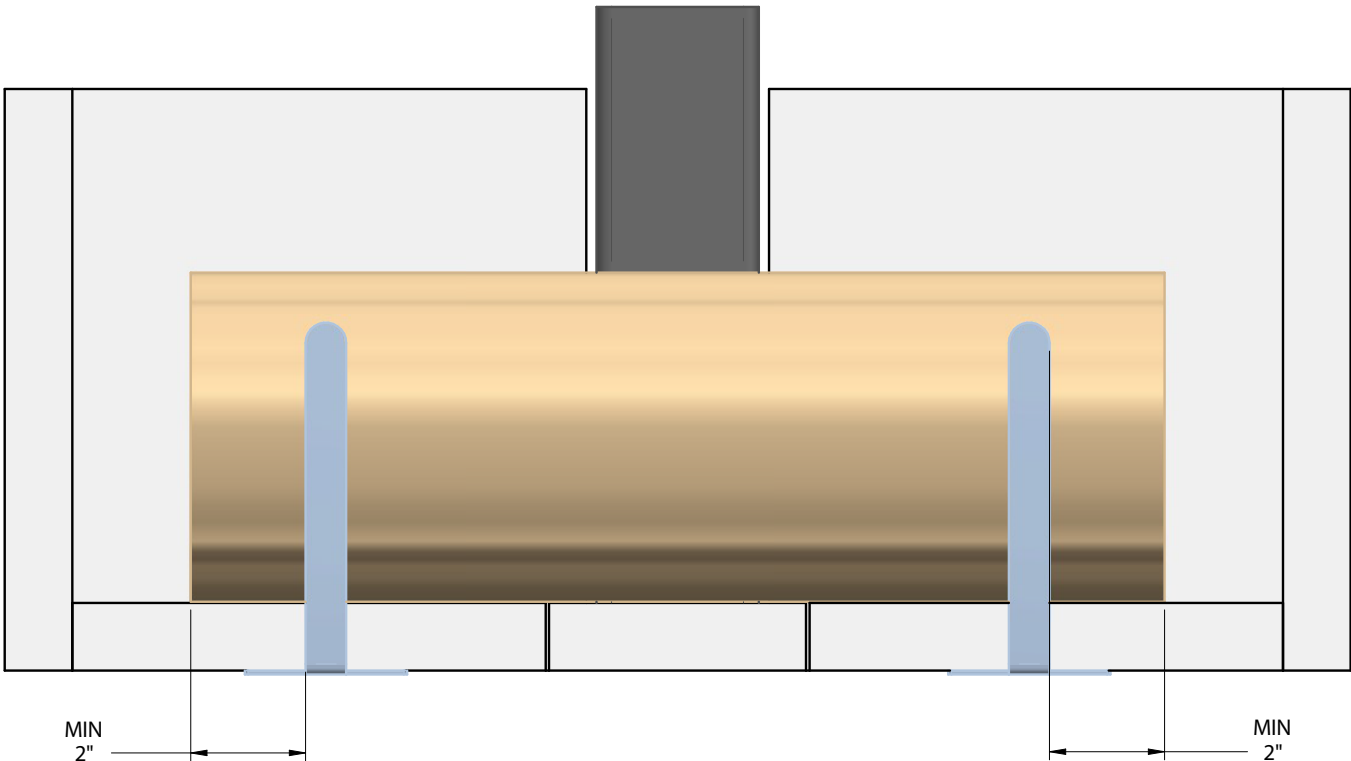
1.



2.



3.

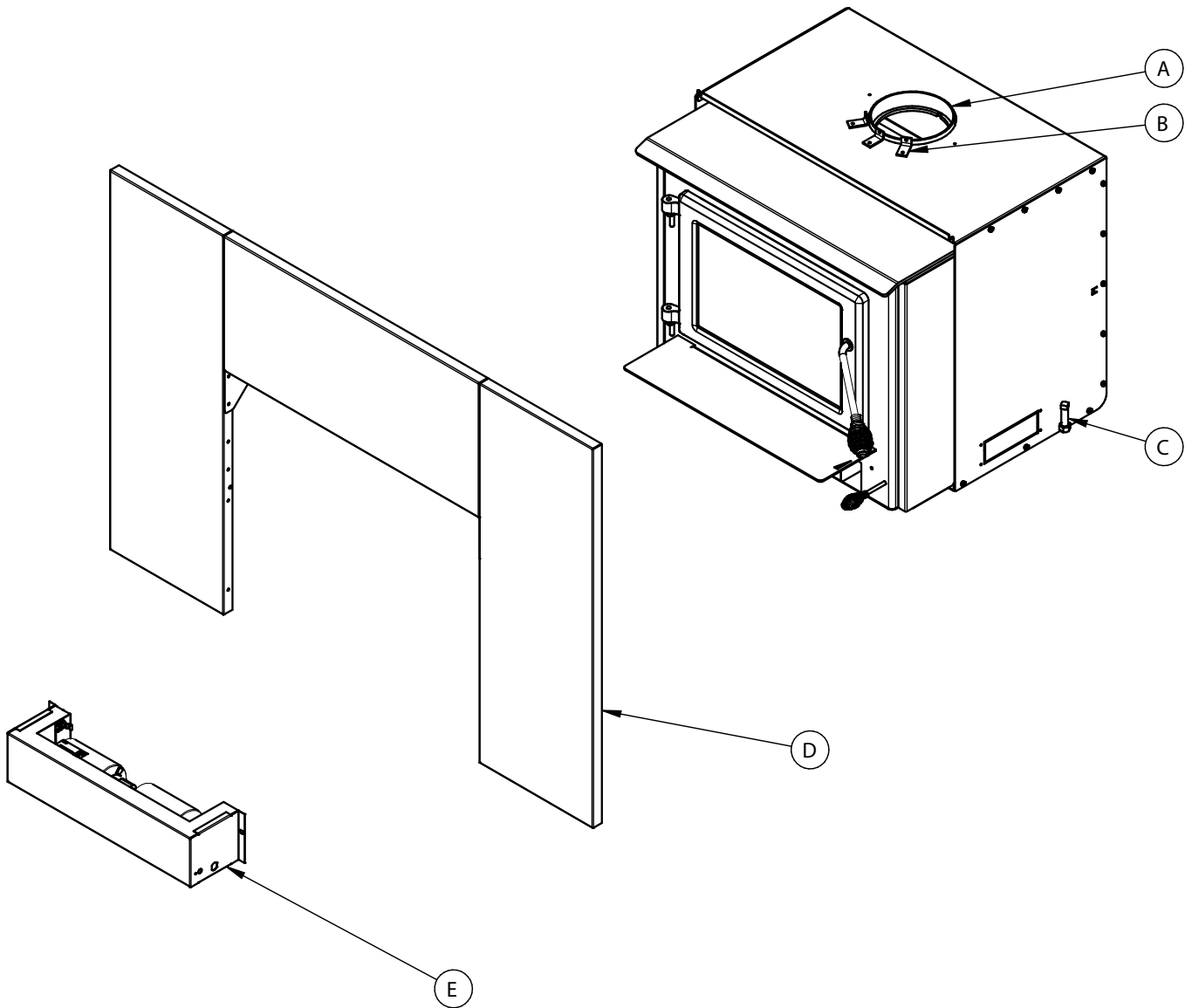


ENGLISH

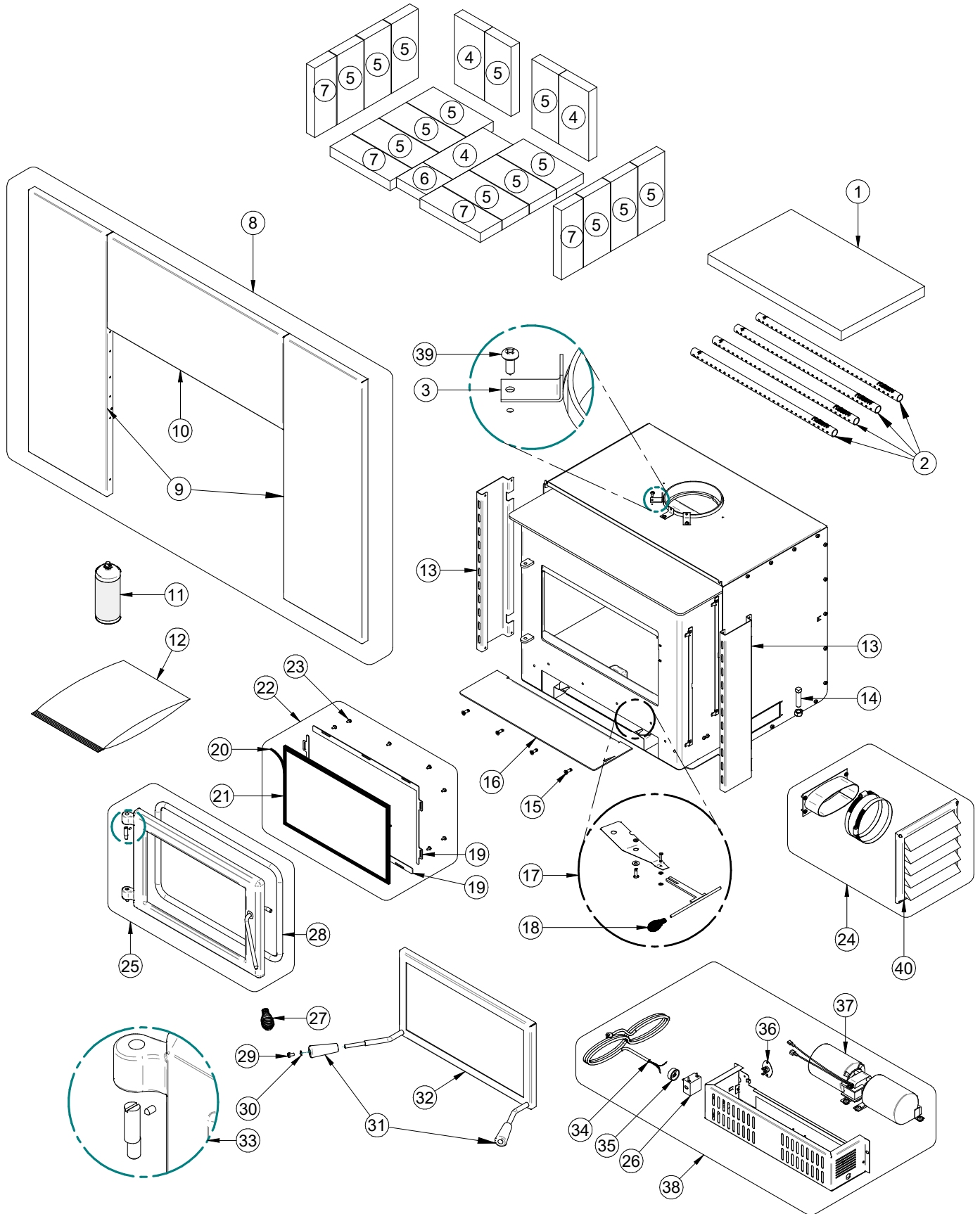
### 3.9 Removal Instructions

For inspecting purposes, the insert may need to be removed. To remove the insert, follow these instructions:

- Remove the faceplate **(D)** by pulling it and releasing the springs holding it in place.
- Remove the blower assembly **(E)**.
- Remove the three screws securing the pipe connector **(B)**.
- Unscrew the bolts securing the insert to the floor on each side of the unit **(C)**.



### 3.10 Exploded Diagram and Parts List



ENGLISH

IMPORTANT: THIS IS DATED INFORMATION. When requesting service or replacement parts for this unit, please provide the model number and the serial number. We reserve the right to change parts due to technology upgrades or availability. Contact an authorized dealer to obtain any of these parts. Never use substitute materials. Use of non-approved parts can result in poor performance and safety hazards.

#	Item	Description	Qty
1	21388	20" X 12 1/2" X 1 1/4" VERMICULITE BAFFLE	1
2	PL65514	SECONDARY AIR TUBE	4
3	PL34052	LINER FIXATION BRACKET	3
4	29010	4 1/2" X 9" X 1 1/4" REFRACTORY BRICK	3
5	29015	4" X 9" X 1 1/4" REFRACTORY BRICK	14
6	29004	4" X 4 1/2" X 1 1/4" REFRACTORY BRICK	1
7	29007	3 1/4" X 9" X 1 1/4" REFRACTORY BRICK	4
8	SE74044	34" X 50" REGULAR FACEPLATE	1
9	PL74045	FACEPLATE LEFT AND RIGHT SIDE PANEL	2
10	PL74044	FACEPLATE TOP PANEL	1
11	AC05959	METALLIC BLACK STOVE PAINT - 342 g (12oz) AEROSOL	1
12	SE46323	BLUE RIDGE 300I MANUAL KIT	1
13	PL74192	DECORATIVE SIDE PANEL	2
14	30337	SQUARE HEAD SET SCREW 1/2-13 X 1-1/2"	2
15	30507	BLACK TORX SCREW WITH FLAT HEAD TYPE F 1/4-20 X 3/4"	4
16	PL74033	ASH TRAY	1
17	SE65559	AIR CONTROL ROD ASSEMBLY	1
18	AC07866	1/4" BLACK COIL HANDLE	1
19	PL74017	GLASS RETAINER	2
20	AC06400	3/4" X 6' FLAT BLACK SELF-ADHESIVE GLASS GASKET (AC-GGK)	1
21	SE74190	GLASS WITH GASKET 15-3/4" X 10-1/8"	1
22	SE74864	GLASS AND MOULDING KIT	1
23	30124	SCREW #8 - 32 X 5/16" TRUSS QUADREX ZINC	10
24	AC01298	5"Ø FRESH AIR INTAKE KIT	1
25	SE24346-2	CAST IRON DOOR	1
26	44080	RHEOSTAT WITHOUT NUT (MODEL KBMS-13BV)	1
27	AC07869	3/8" BLACK COIL HANDLE	1
28	AC06500	SILICONE AND 5/8" X 8' BLACK DOOR GASKET KIT (AC-DGKNC)	1
29	30025	1/4-20 X 1/2" PAN-HEAD QUADREX BLACK SCREW	2
30	30187	STAINLESS WASHER ID 17/64" X OD 1/2"	2
31	30898	ROUND WOODEN BLACK HANDLE	2
32	AC01315	RIGID FIRESCREEN	1
33	SE31318	DOOR HINGE REPLACEMENT KIT	1
34	60013	POWER CORD 96" X 18-3 type SJT (50 pcs per carton)	1
35	44085	RHEOSTAT KNOB	1

#	Item	Description	Qty
36	44028	CERAMIC THERMODISC F110-20F	1
37	44089	DOUBLE CAGE BLOWER 144 CFM 115V - 60Hz - 1.1A	1
38	SE74193	INSERT BLOWER	1
39	30131	BLACK METAL SCREW #10 X 1/2" TYPE "A" PAN QUADREX	3
40	49028	5" WHITE AIR INTAKE TERMINATION	1

# ENGLANDER LIMITED LIFETIME WARRANTY

The warranty of the manufacturer extends only to the original retail purchaser and is not transferable. This warranty covers brand new products only, which have not been altered, modified nor repaired since shipment from factory. Please provide a proof of purchase (dated bill of sale), model name and serial number when making any warranty claim to your ENGLANDER dealer.

**This warranty applies to normal residential use only. This warranty is void if the unit is used to burn material other than cordwood (for which the unit is not certified by EPA) and void if not operated according to the owner's manual. Damages caused by misuse, abuse, improper installation, lack of maintenance, over firing, negligence or accident during transportation, power failures, downdrafts, venting problems or under-estimated heating area are not covered by this warranty. The recommended heated area for a given appliance is defined by the manufacturer as its capacity to maintain a minimum acceptable temperature in the designated area in case of a power failure.**

This warranty does not cover any scratch, corrosion, distortion, or discoloration. Any defect or damage caused by the use of unauthorized or other than original parts void this warranty. An authorized qualified technician must perform the installation in accordance with the instructions supplied with this product and all local and national building codes. Any reclamation related to an improper installation is not covered by this warranty.

The manufacturer may require that defective products be returned or that digital pictures be provided to support the claim. Returned products are to be shipped prepaid to the manufacturer for investigation. Transportation fees to ship the product back to the purchaser will be paid by the manufacturer. All parts costs covered by this warranty are limited according to the table below.

The manufacturer, at its discretion, may decide to repair or replace any part or unit after inspection and investigation of the defect. The manufacturer may, at its discretion, fully discharge all obligations with respect to this warranty by refunding the wholesale price of any warranted but defective parts. The manufacturer shall, in no event, be responsible for any uncommon, indirect, consequential damages of any nature, which are in excess of the original purchase price of the product. A one-time replacement limit applies to all parts benefiting from lifetime coverage. This warranty applies to products purchased after June 20th, 2022.

ENGLISH

DESCRIPTION	WARRANTY APPLICATION*
	PARTS
Combustion chamber (welds only**) & cast iron door frame.	5 years
Surrounds, heat shield, ash drawer, steel legs, pedestal & convector air-mate.	2 years
Removable stainless steel combustion chamber components, secondary air tubes**, deflectors & supports.	2 years
Glass retainers, handle assembly & air control mechanism.	2 years
Carbon steel combustion chamber components, vermiculite baffle** & ceramic glass (thermal breakage only**).	1 year
Blower, heat sensors, switches, rheostat, wiring & other controls.	1 year
Firebricks, paint & gaskets.	-
Any parts replaced under the warranty.	90 days

**\*Subject to limitations above \*\*Picture required**

Shall your unit or a components be defective, contact immediately your ENGLANDER dealer. To accelerate processing of your warranty claim, make sure to have on hand the following information when calling:

- Your name, address and telephone number
- Bill of sale and dealer's name
- Installation configuration
- Serial number and model name as indicated on the nameplate fixed to the back of your unit
- Nature of the defect and any relevant information

**Before shipping your unit or defective component to our plant, you must obtain an Authorization Number from your ENGLANDER dealer. Any merchandise shipped to our plant without authorization will be refused automatically and returned to sender.**

**Wood: June 2022**





This document is available for free download on the manufacturer's website. It is a copyrighted document. Resale is strictly prohibited. The manufacturer may update this document from time to time and cannot be responsible for problems, injuries, or damages arising out of the use of information contained in any document obtained from unauthorized sources.

***Englander***

Stove Builder International inc.  
250, rue de Copenhague,  
St-Augustin-de-Desmaures (Québec) Canada  
G3A 2H3  
1-877-356-6663  
<https://www.englander-stoves.com/>  
[tech@sbi-international.com](mailto:tech@sbi-international.com)