



INSTALLATION INSTRUCTIONS

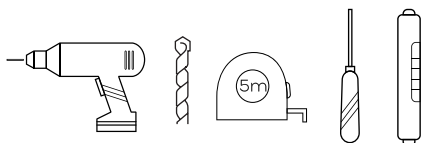


ErgoSlideBar

- 4001R-SSP
- 4001R-SSB
- 4001R-ORB
- 4001L-SSP
- 4001L-SSB
- 4001L-ORB



TOOLS REQUIRED FOR INSTALLATION



- Electric Drill
- 1/8" wood or metal drill bit
- 5/16" masonry drill bit
- Tape measure
- Screwdriver
- Level

IMPORTANT

Check local code for proper placement of ErgoSlideBar to meet requirement such as ADA or ANSI 117.1 Consumer Safety Requirements.

ERGOSLIDEBAR CAN BE MOUNTED THROUGH SHOWER WALL AND SCREWED DIRECTLY TO WOOD OR METAL STUD WHEN APPLICABLE.

INSTALLATION QUESTIONS

Before returning your ErgoSlideBar to the store or have any question about installation or missing parts please visit the CUSTOMER CARE area on our website www.PulseShowerSpas.com.

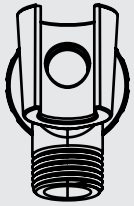
WARRANTY

Please visit www.PulseShowerSpas.com for our Manufacture's Lifetime Limited Warranty information.

PARTS INCLUDED

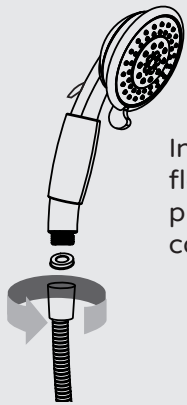
- Stainless steel rail
- 3 Function handheld with flow control
- 72" Shower hose
- Installation manual
- Shower arm mount with hand held holder
- Hand held slider

SHOWER ARM MOUNT INSTALLATION



Attach shower arm mount to your existing shower arm using supplied washer. Shower arm NOT INCLUDED.

RESTRICTOR INSTALLATION



Install 1.75GPM flow restrictor provided for compliance.

INSTALLATION

STEP 1

Position mounting flanges and mark hole locations.

For wood or solid backing applications drill 1/8" pilot holes through shower wall into wood or metal stud.

NOTE: If wall is tiled, drill a 1/8" pilot hole through tile then change to the a 5/16" diameter masonry tile drill bit.

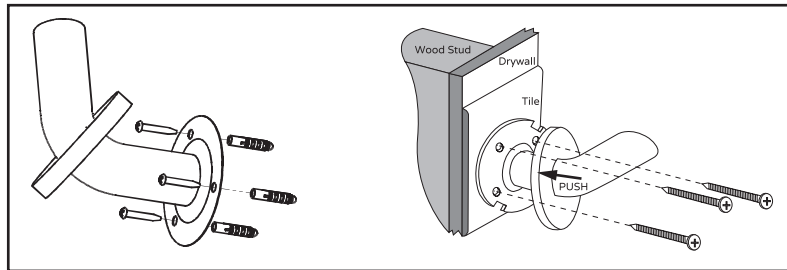
STEP 2

Install screws through mounting flange and directly into wood/metal stud or bracing. Use masonry anchors if necessary.

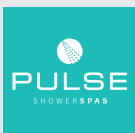
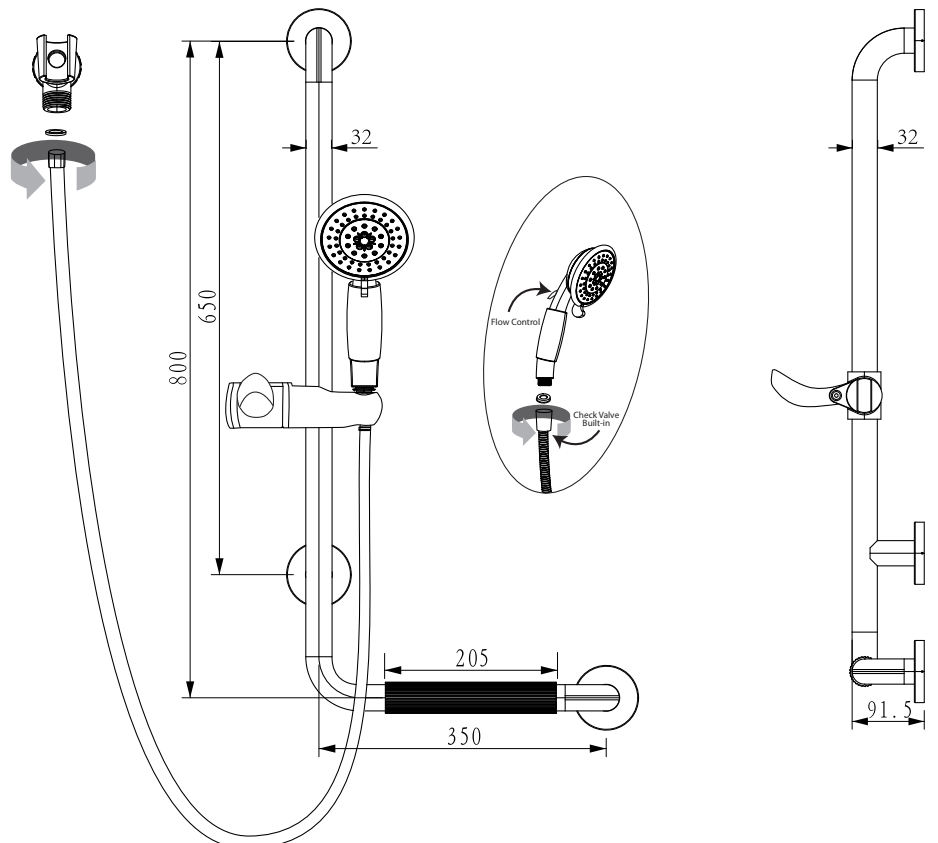
STEP 3

Once the ErgoSlideBar is securely fastened to wall, align cover plate locking tabs with slots in flange. Push cover against mounting until it locks.

DETAIL MOUNTING INSTALLATION



PRODUCT DIMENSIONS



www.PulseShowerSpas.com

