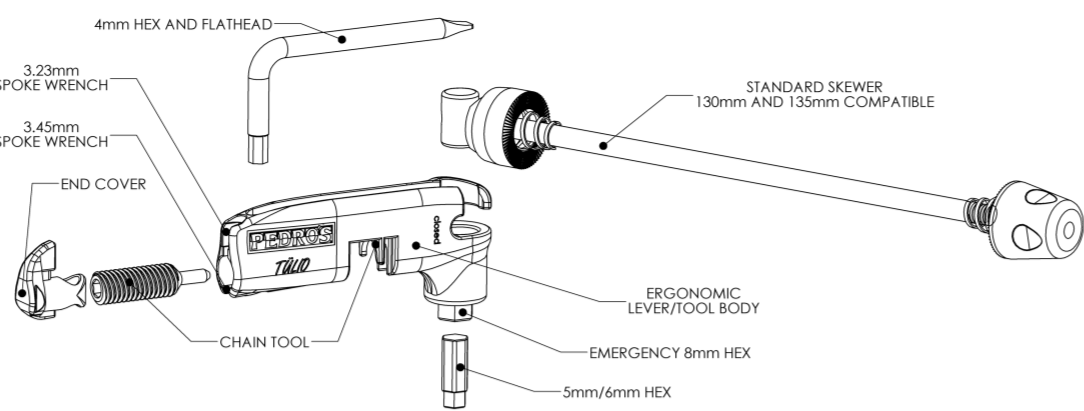




# Tülio Q/R Skewer Multi-Tool User Manual



## Features of the Tülio Q/R Skewer Multi-Tool



The Tülio Q/R Skewer Multi-Tool replaces standard 130mm and 135mm rear quick release skewers and provides an integrated 8-function sub-60 gram multi-tool. Each element of the Tülio was carefully selected to help you get home by providing the essential tools needed to get out of a jam. As an integral part of the bicycle, you can be sure you will NEVER forget a multi-tool again.

**Quick Release Skewer:** When installed, the Tülio is no different than a normal quick release rear skewer. Wheel installation and removal follow the same steps as a typical quick release skewer wheel. The Tülio is compatible with 130mm and 135mm dropout spacing and is designed to be installed with lever on non-drive side.

**Ergonomic Lever/Tool Body:** The lever/tool body is the workhorse of the Tülio. It is designed to make wheel installation and removal easy and provide a comfortable handle when using any of the Tülio's 8 tools. The lever/tool body is easily decoupled from the skewer, allowing the user to remove the lever and use the tools while leaving the skewer assembly in the hub.

**4mm Hex and Flathead Driver L-Wrench:** Besides handling all 4mm hex bolts and flathead hardware commonly found on modern bicycles, the L-Wrench is used as the chain tool drive handle and locks the lever/tool body onto the skewer assembly.

**Chain Tool:** The Tülio chain tool runs through the center of the lever body. The chain tool is compatible with most chains ranging from single speed to 11 speed.

**5mm/6mm Hex:** This reversible bit handles the common 5mm hex bolts found on everything from stems to crank bolts and also provides a 6mm hex for many bolts used on suspension frames and other common components such as pedals. Held in place magnetically, both sizes are quickly accessed when needed.

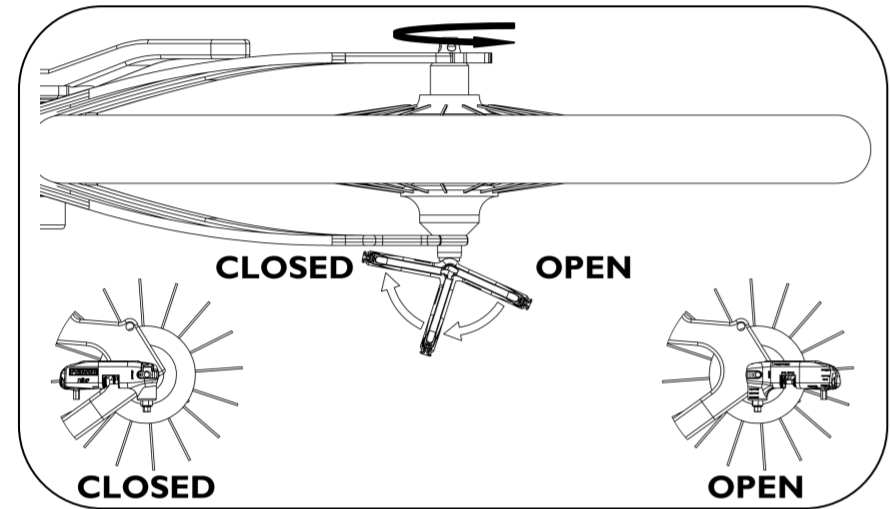
**Emergency 8mm Hex:** This hollow 8mm Hex is integrated into the body of the Tülio and houses the 5mm/6mm Hex. The 8mm Hex comes in handy when a crank bolt or pedal loosens up during a ride and allows you to fix the problem and finish the ride without damaging expensive components by riding them loose. **IMPORTANT NOTE:** 8mm Hex intended for emergency repairs. Do NOT use for installation of components requiring torque specifications above 25N-m (18.4 ft-lbs).

**3.23mm and 3.45mm Spoke Wrenches:** Located on the end of the lever/tool body the two spoke wrench sizes provide the tools needed to repair broken or loose spokes or true a damaged wheel.

**End Cover:** Inserted into the end of the body, the end cover protects the chain tool threads from contamination, helps to secure the L-Wrench, and provides an ergonomic extension to the lever body for opening and closing the Tülio skewer.

**WARNING!** Incorrect installation of a quick release wheel can result in bodily injury or death. Please read all warnings and instructions. If you are at all unsure, ask a professional for assistance. Always check wheels for proper installation before riding your bicycle.

**YES** The Tülio quick release lever **MUST** be locked securely in the "CLOSED" position. Adjust skewer tension with tension adjusting nut only.



## Getting to know your Tülio Q/R Skewer Multi-Tool

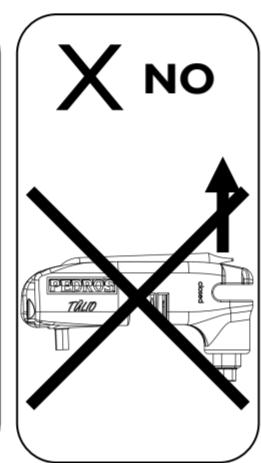
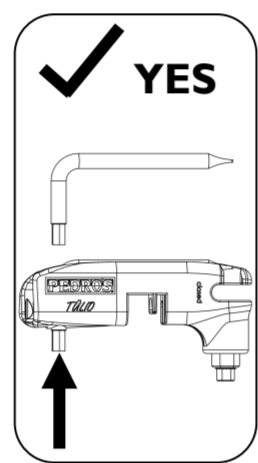
Congratulations! You've selected one of the most innovative multi-tools available. Upon opening your Tülio package, you likely noticed that the Tülio arrives with the Lever/Tool Body separated from the Skewer Assembly. To ensure proper usage, be sure to take a few minutes to read these instructions and warnings and get familiar with the key functions and features of the Tülio. With only a few minutes of practice, your Tülio will be the most reliable and convenient multi-tool you have ever owned. Enjoy the ride!

### L-Wrench Removal and Installation:

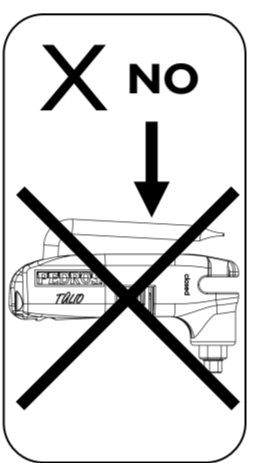
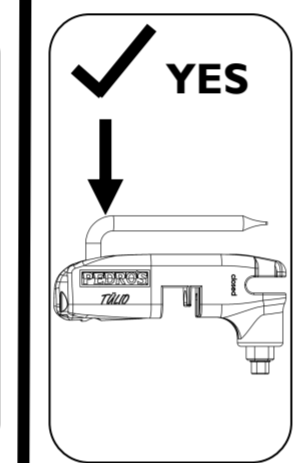
Though the L-Wrench is one of the most basic tools included with the Tülio, it plays a key role in securing the Lever/Tool Body onto the Skewer Assembly. Much like a Chinese finger trap, the L-Wrench is nearly impossible to remove unless proper technique is used. This is key to keeping the Tülio safely installed but can be quite frustrating when the wrong removal technique is used. Using the correct technique, however, you will find L-Wrench removal to be simple and easy! To remove the L-Wrench, simply push upward on the end of 4mm hex. To reinstall, simply insert the 4mm hex, and push straight downward on the elbow of the L-Wrench keeping the long leg of the L parallel to the body. Before installing the Tülio on your bike, make sure to practice removing and installing the L-Wrench a few times.

**HELPFUL TIP:** The End Cover may fall out of the body and be lost when L-Wrench is removed. A handy way to keep track of the End Cover is to slide it over the L-Wrench whenever it is removed from the body. Always install the End Cover before installing the L-Wrench.

### L-Wrench Removal

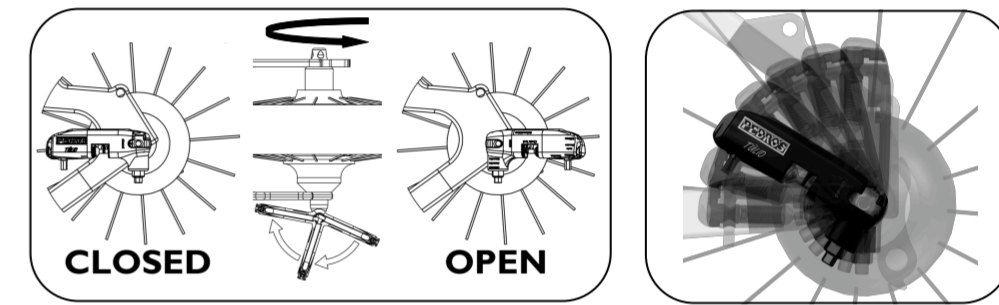
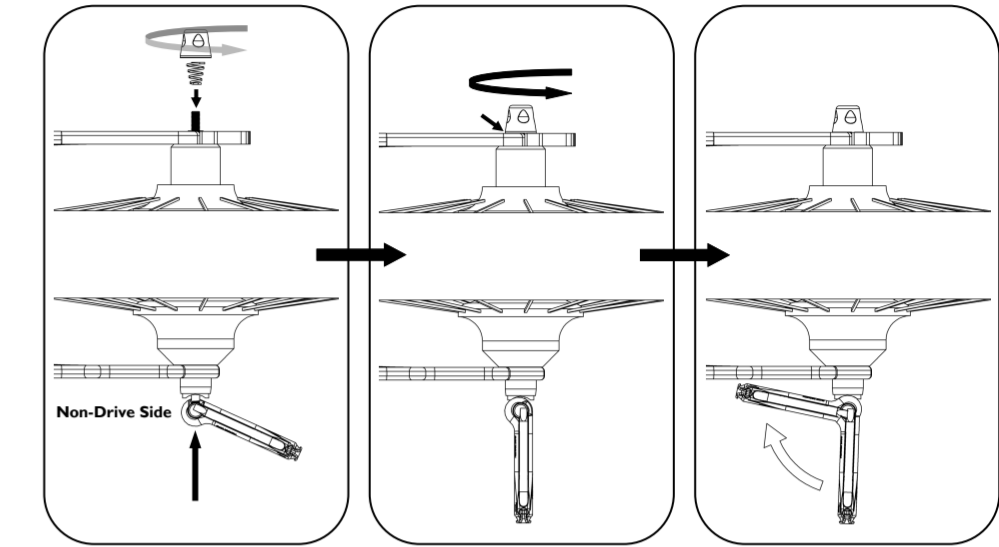


### L-Wrench Installation

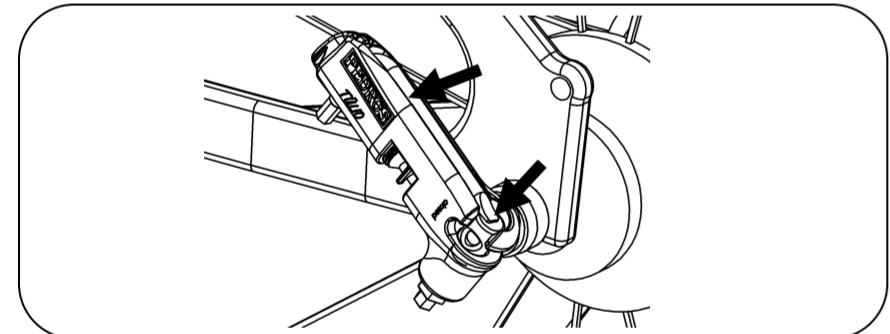


## Installation of the Tülio Q/R Skewer Multi-Tool

- Prior to installing the Tülio Skewer Multi-Tool, read ALL warnings and instructions.
- Make sure Tülio Lever/Tool Body is coupled to the Skewer Assembly and L-Wrench is properly installed.
- If present, remove old quick release skewer from wheel.
- Remove the tension adjust nut and the cone spring next to the tension adjust nut. Add a thin film of grease such as Pedro's Bio Grease to the entire skewer rod.
- Slide the skewer rod through the left side (non-drive side) of the hollow hub axle of the wheel. The Lever/Tool Body should end up on the left side (non-drive side) of the bike.
- Slide the removed cone spring back onto the skewer rod. The small end of the cone spring should face the hub.
- Thread the tension adjust nut onto the skewer.
- Position the Lever/Tool Body in between the OPEN and CLOSED position so that it is perpendicular to the bicycle frame and in line with the skewer rod. While holding the Lever/Tool Body in this position with one hand, turn the tension adjust nut with the other hand until the nut contacts the rear dropout and can no longer be turned.
- Check to make sure hub axle is fully seated in the dropout.
- Pivot the Lever/Tool Body to the CLOSED position. Ensure the Lever/Tool Body is in fully CLOSED position. **NOTE:** If the Lever/Tool Body is easily pushed to the CLOSED position, it is NOT secured tightly enough. If this is the case, pivot the Lever/Tool Body to the OPEN position and tighten the tension adjust nut an additional 1/8-1/4 revolutions to increase clamping force. Return Lever/Tool Body to the CLOSED position. A properly tensioned Tülio will leave a slight impression on the palm of your hand. If closing the Lever/Tool Body does not leave an impression, repeat tightening procedure until the Tülio is properly tensioned.
- The Lever/Tool Body should always be positioned on the left side (non-drive side) of the bike and positioned between horizontal and vertical as shown.
- If you opened your brake to remove the wheel, make sure to close the brake according to the manufacturer's instructions before riding your bike.
- Always make sure the Lever/Tool Body is in the CLOSED position before riding your bike.
- NEVER ride bicycle with Tülio Lever/Tool Body decoupled from skewer assembly.



**YES** L-Wrench **MUST** always be **PROPERLY INSTALLED** when riding a Tülio equipped bicycle.

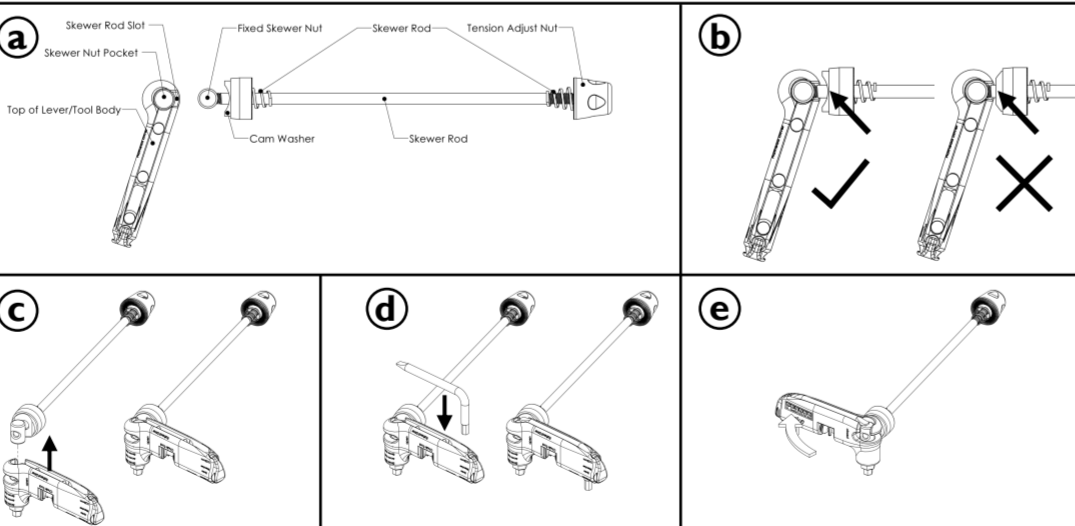


## Coupling the Lever/Tool Body and Skewer

An important and unique feature of the Tülio is the ability to decouple the Lever/Tool Body from the Skewer Assembly. This allows usage of the Lever/Tool Body as a stand-alone multi-tool without removal of the Skewer Assembly from the wheel. Coupling and decoupling the Lever/Tool Body from the Skewer Assembly is simple and easy. Take a few minutes to look over the following instructions to learn the correct technique.

**HELPFUL TIP:** The L-Wrench must be removed whenever coupling or decoupling the Lever/Tool Body.

- Take Lever/Tool Body and Skewer Assembly together. Make sure the L-Wrench is removed from the Lever/Tool Body as described above.
- With the Lever/Tool Body in the "open" orientation, align the fixed skewer nut and skewer rod with the associated pocket and slot on the Lever/Tool Body. Make sure the cam washer is properly aligned with the Lever/Tool Body.
- Move the Lever/Tool Body upward onto the fixed skewer nut until the skewer rod bottoms out on the Lever/Tool Body.
- Install the L-Wrench as described above. This will lock the Lever/Tool Body onto the Skewer Assembly.
- Pivot Lever/Tool Body to "closed" orientation. You have now successfully coupled your Tülio! Repeat this process a few times if desired. You are now ready to install the Tülio on your bike!



## Tülio Helpful Tips

**Chain Tool Usage:** For most chains, the Tülio chain tool can be used by simply holding the Lever/Tool Body as the chain tool handle and driving the Chain Tool Screw using the L-Wrench. However, some modern bicycle chains require a high amount of force to press out a pin. If more leverage is needed, simply remove the Skewer Assembly from your wheel, couple it with the Lever/Tool Body, and use the Skewer Rod as a handle for the Chain Tool. Make sure Chain Tool Screw threads are frequently cleaned and greased to ensure proper function.

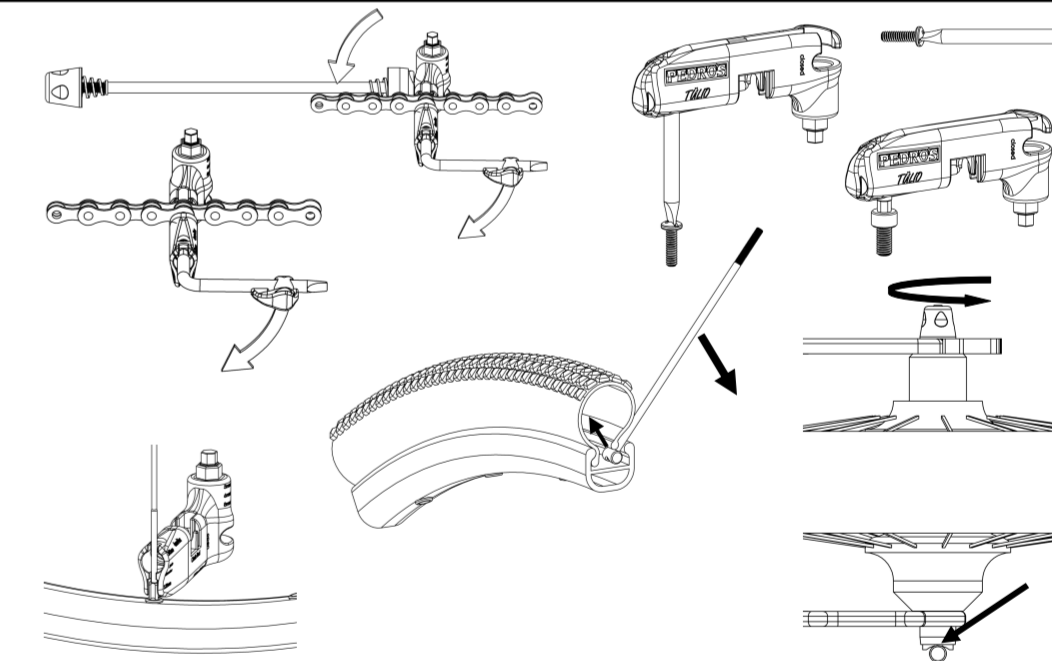
**L-Wrench Usage:** Besides being used separately from the Lever/Tool Body, the L-Wrench can be positioned in the body for improved leverage and ergonomics. **IMPORTANT NOTE:** Be sure to keep track of the End Cover when the L-Wrench is removed from the body. A handy way to keep track of the End Cover is to slide it over the L-Wrench whenever it is removed from the body. Always install the End Cover before installing the L-Wrench.

**Spoke Wrench Usage:** The Tülio Lever/Tool Body has two sizes of spoke wrench. ALWAYS try fitting the 3.23mm size onto the spoke nipple FIRST. The spoke wrench MUST fit tightly around the nipple to avoid damage to the Tülio. Tülio spoke wrenches are intended for emergency usage only and should NOT be used for wheel building.

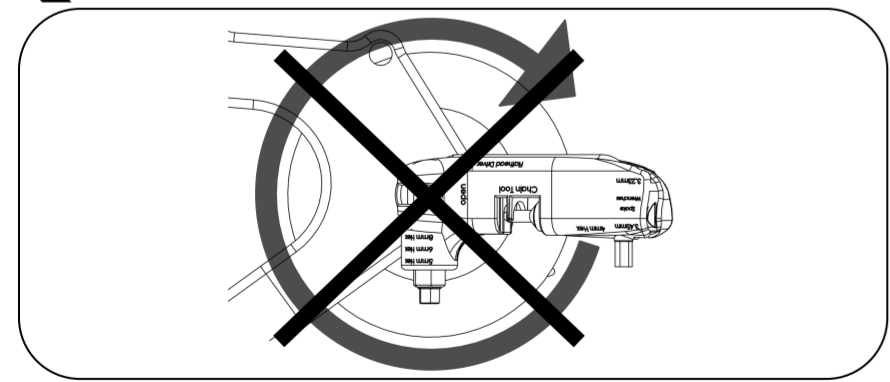
**Tightening Rear Wheel when Tülio Lever/Tool Body is Decoupled:** When the Tülio Lever/Tool Body is decoupled from the Skewer Assembly, the skewer remains in the hub but the wheel is not held securely in place. For many repairs, such as tightening a stem bolt, this is not an issue. However, if the wheel needs to be held tightly in dropouts during a repair, simply hand tighten the skewer assembly by holding the fixed skewer nut and turning tension adjust nut clockwise until wheel is secure.

**IMPORTANT NOTE:** NEVER ride bicycle with Tülio skewer decoupled and/or hand tightened. Riding a bicycle with an improperly installed Tülio may result in serious injury or death.

**Emergency Tire Lever:** Though not an official feature of the Tülio, in a jam the Skewer Rod can be used to remove a tire. Simply remove the Skewer from the wheel, decouple the Lever/Tool Body. Using the Fixed Skewer Nut end, insert the Fixed Skewer Nut under the tire bead, and use the Skewer Rod as a lever to pry the bead off the rim.



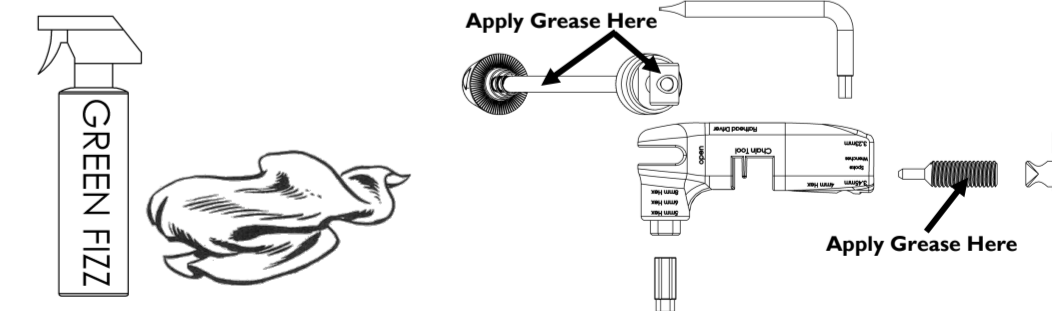
**NO!** Do NOT attempt to install wheel by rotating the Tülio quick release lever.



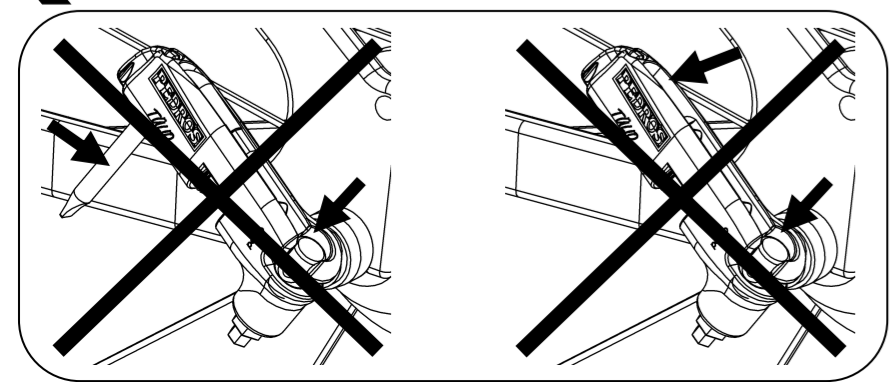
## Tülio Maintenance

With the Tülio exposed to dirt, water and other elements, it is important to clean and grease key components to ensure proper function. Once per month, or as needed, clean your Tülio of ingress picked up while riding.

- Remove each component and wipe clean with a detergent based cleanser such as Pedro's Green Fizz.
- Make sure to remove the Chain Tool Screw, clean the threads, and apply a light coating of grease such as Pedro's Bio Grease to the threads to ensure proper chain tool function.
- Lastly, apply a light coating of grease to the Fixed Skewer Nut and Skewer Rod. Reassemble.



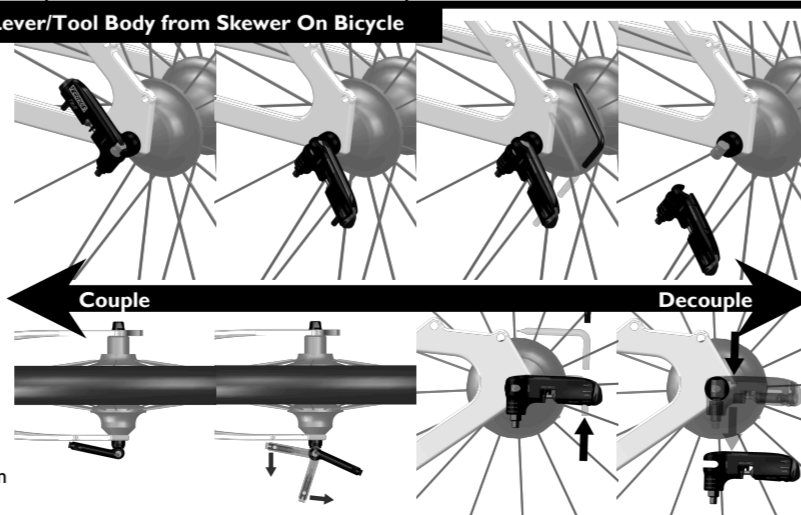
**NO!** NEVER ride a Tülio equipped bicycle if L-Wrench is MISSING or IMPROPERLY INSTALLED.



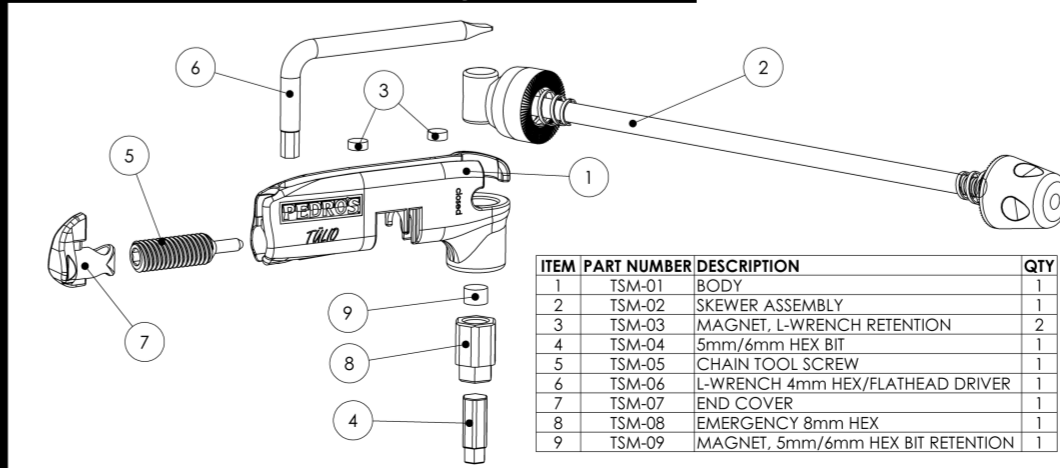
## Coupling/Decoupling the Lever/Tool Body from Skewer On Bicycle

Coupling/decoupling the Tülio when installed on a bicycle is accomplished using the same steps described above. It may be slightly more difficult, however, because the cam washer position is now limited by the dropout. If you are having trouble coupling the Lever/Tool Body on the bike you can try the following:

- Loosen Tension Adjust Nut to increase space between Cam Washer and Fixed Skewer Nut.
- Remove skewer assembly from wheel, couple, and then reinstall.



## Tülio Q/R Skewer Multi-Tool Component List



ITEM	PART NUMBER	DESCRIPTION	QTY
1	TSM-01	BODY	1
2	TSM-02	SKEWER ASSEMBLY	1
3	TSM-03	MAGNET, L-WRENCH RETENTION	2
4	TSM-04	5mm/6mm HEX BIT	1
5	TSM-05	CHAIN TOOL SCREW	1
6	TSM-06	L-WRENCH 4mm HEX/FLATHEAD DRIVER	1
7	TSM-07	END COVER	1
8	TSM-08	EMERGENCY 8mm HEX	1
9	TSM-09	MAGNET, 5mm/6mm HEX BIT RETENTION	1

Tülio Q/R Skewer Multi-Tool  
PN 6460310  
Made in Taiwan  
Specifications subject to change without notice.

Pedro's Inc.  
147 Essex Street  
Haverhill, MA 01832, USA  
Tel: +1 978 657 7101

**PEDROS**  
**2-YEAR WARRANTY**

Visit [pedros.com](http://pedros.com) for details.

Svenska filialen till Sports  
Adventures Intl. SA, Schweiz  
Västra Granholmen,  
185 99 Vaxholm, Sweden  
Tel: +46 8 559 21 800