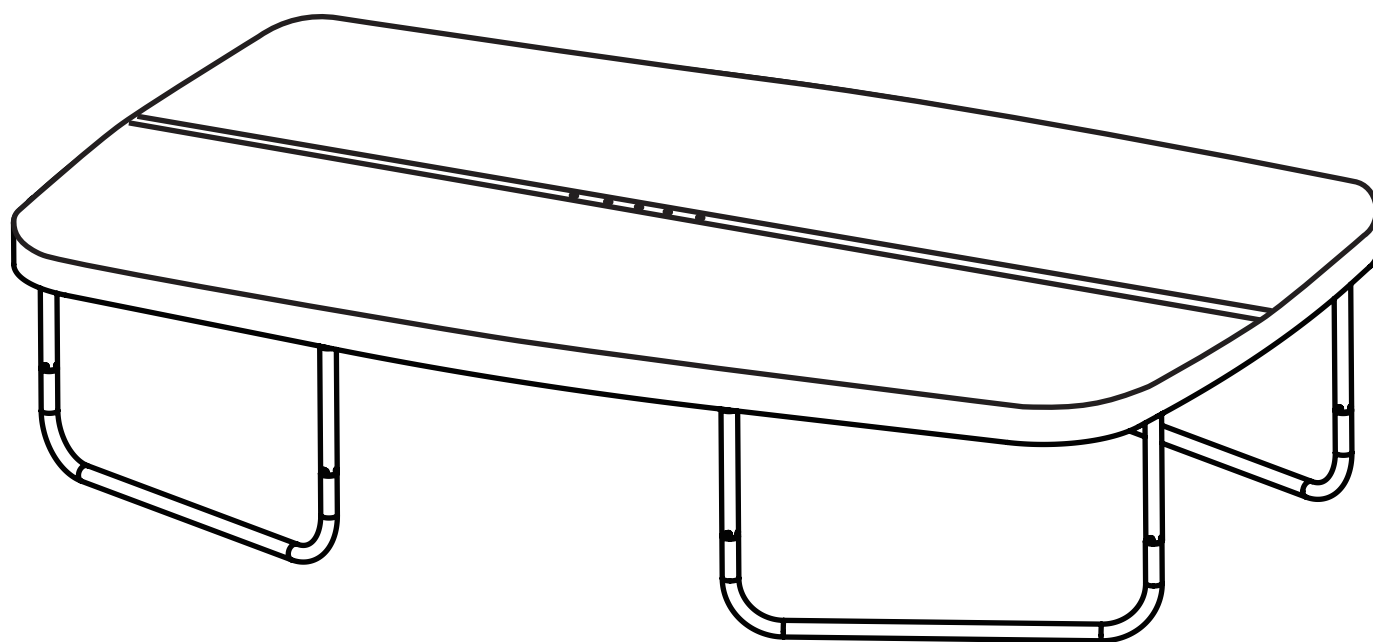


# ASSEMBLY, MAINTENANCE, & **USER MANUAL**

MODEL #SWAC160 / SWAC180



## **WARNING**

Read all precautions and instructions in this manual before using this equipment. Save this manual for future reference. Adult use only.

**SKYWALKER**  
  
**TRAMPOLINES**

Skywalker Holdings LLC  
P.O. Box 574, Brigham City, UT 84302

# TABLE OF CONTENTS

---

Part List.....	3
Part Identification.....	3
Assembly.....	4-5
Maintenance and Care Information.....	6
Limited Warranty.....	7



## STOP EVERYTHING YOU'RE DOING AND REGISTER YOUR PRODUCT

Find our warranty registration online by typing in: [www.skywalkertrampolines.com/registration/](http://www.skywalkertrampolines.com/registration/)

You'll need to have the following information handy:

- Name
- Address
- Phone number
- Date of purchase
- Email address
- Model number
- Serial number
- Retailer the product was purchased from

## BEFORE YOU BEGIN

Thanks for choosing Skywalker Trampolines! We're just as excited as you are to help your family live an active (but most importantly **FUN**) lifestyle. This model is one of our favorites, and we're confident you'll love it too. To make things easier for you, we've listed important information that you (and your little outdoor adventurers) need to know. Make sure you brush up on the warnings, instructions, assembly, maintenance, and use of your new product... because there will be a pop quiz at the end! (Okay, not **REALLY**, but if you're still reading this, props to you! You're awesome).

## TRAMPOLINE MODELS COMPATIBLE WITH THIS PRODUCT:

- SWAC160: 14'x8' rectangle trampoline models
- SWAC180: 15'x9" rectangle trampoline models



### IMPORTANT

Trampoline/enclosures and game attachments are susceptible to winds.



### WARNING

CHOKING HAZARD- Small parts not for children under 3 years.



### WARNING

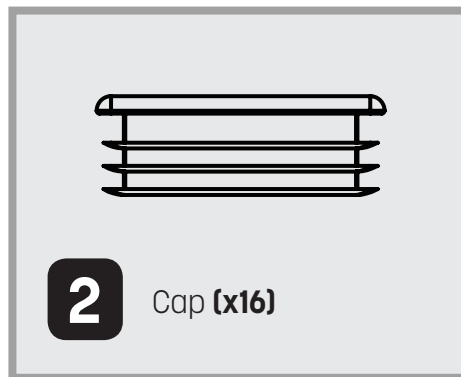
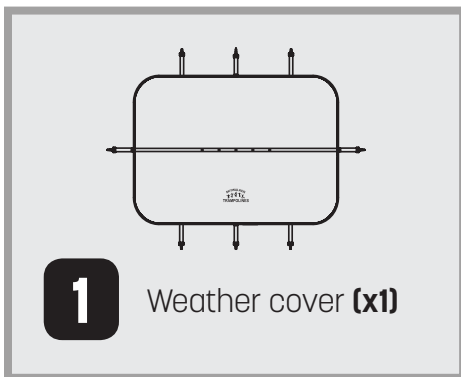
Adult assembly required.

# PART LIST

Key No.	Qty.	Description
1	1	Weather Cover
2	16	Cap

## PART IDENTIFICATION

Before you begin, take a look at the drawings below to make sure you have all the parts! The numbers in the squares to the left (key numbers) will help you identify the parts during assembly.



### ORDERING REPLACEMENT PARTS

We get it... sometimes things happen. But the fun shouldn't stop just because you need a new bolt or screw! To order replacement parts, check out our website at: [www.skywalkertrampolines.com](http://www.skywalkertrampolines.com) or call our toll-free Customer Care Hot-line at **1-866-603-Jump (5867)**, Monday - Friday, 8 a.m. until 5 p.m. Mountain Time (excluding holidays).

Our customer service team will ask you a few questions in order to get the replacement part sent out as soon as possible. We're not trying to complicate your life, we promise.

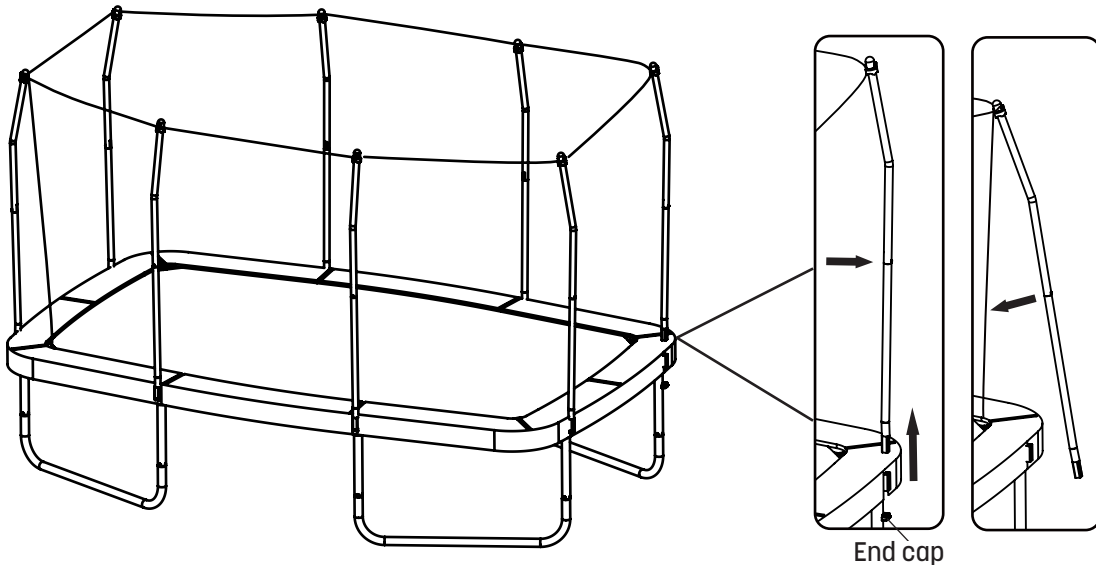
When calling, make sure to have the following information ready:

- The model # of the product (see the front cover of this manual)
- The key # and description of the part (see the part list above)
- The quantity needed (only you know the answer to that one!)

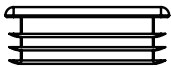
# ASSEMBLY

## STEP 1

When you start to see a storm a brewin', it's probably a good time to pull all of the enclosure poles out of their sockets. If you have a Skywalker Trampoline, you'll notice that the end caps will fall out as you pull the enclosure poles out. Place the end caps back onto enclosure poles before you lay all of the poles on top of the jump mat. (That way you won't scratch your mat and you'll be able to keep track of all the end caps!)

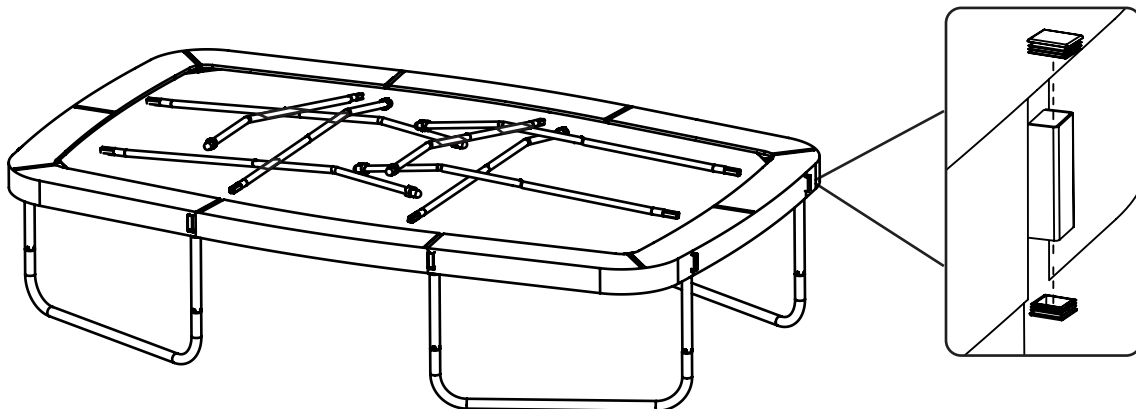


## STEP 2

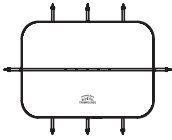


**2** Cap (x16)

Insert the cap into the top and bottom of all the sockets. **Note: Do NOT insert the caps into the sockets all the way because they're difficult to remove!** The caps will protect the cover from being damaged by the sockets.



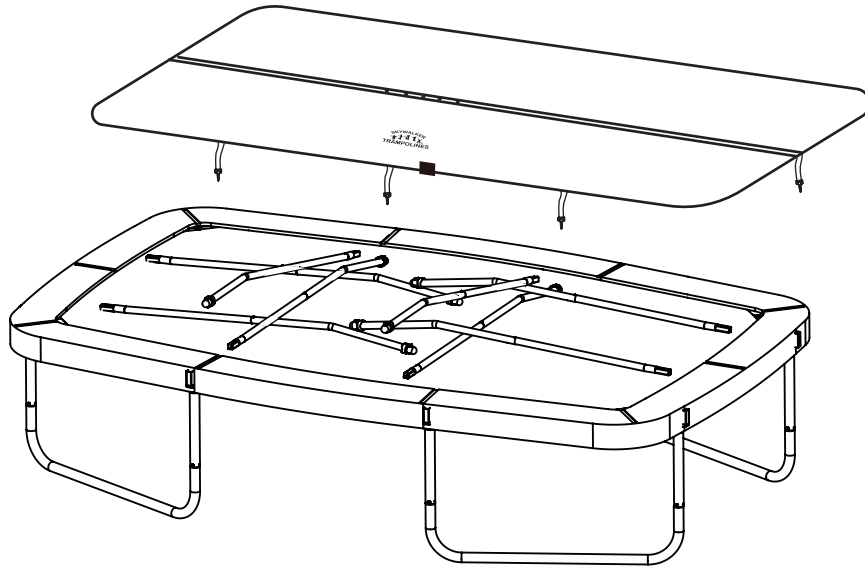
### STEP 3



**1** Weather Cover (x1)

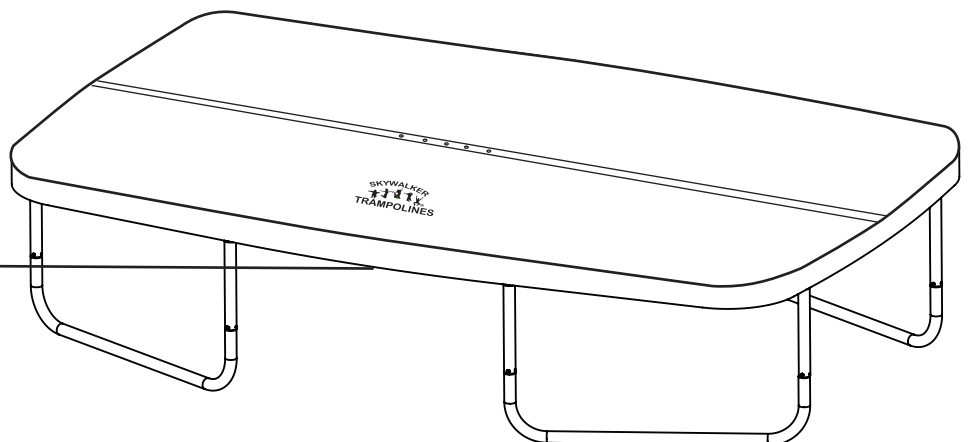
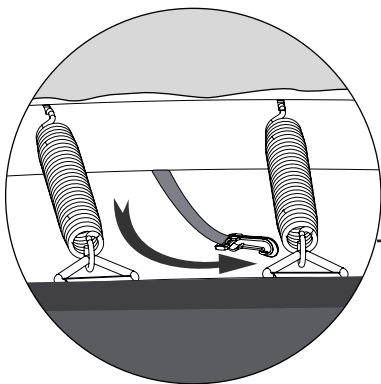
Now, place the weather cover **(1)** on trampoline. (Seems easy enough, right?)

**Note:** You'll probably want at least two people to help with this step!



### STEP 4

Once the weather cover is positioned correctly, you'll find hooks placed on the underside of the cover. Stretch the hooks over the trampoline frame and clip the hooks to the nearest V-ring underneath the trampoline. Ta-da! You have now correctly installed your weather cover. Congratulations!



# MAINTENANCE & CARE INFORMATION

---

**Congratulations** and **high five** on successfully installing your new Skywalker Trampolines Weather Cover! Now, the best way to keep your new weather cover in tip top shape, is to periodically check for:

- Punctures, frays, tears, or holes worn in the cover
- Deterioration in the stitching or fabric of the cover
- Tension cord that is overly stretched, ripped, or frayed

## Helpful Tips for Weather Cover Care:

- The weather cover is **NOT** covered under damage that may occur during severe weather (see warranty info on next page).
- The weather cover may be used during any season to help protect against harsh elements. If used during winter months and snow accumulates, regularly clear the snow as it can exceed the weight limit and damage the trampoline jump mat, springs, and other materials.
- Use a soft bristle broom to remove excess snow. Do not use other tools like a shovel as they can damage the weather cover or trampoline.
- For cleaning the weather cover, do not use harsh chemicals as they can damage the cover material. We recommend using warm soapy water for cleaning purposes.
- Ensure the weather cover is completely dry and clean before storing.

Do **NOT** attempt to jump on the trampoline when the weather cover is installed. For your safety, do **NOT** attempt to install a weather cover during extreme weather conditions such as a lightning storm. We recommend a preventative approach such as installing the weather cover well in advance before harsh conditions or seasons.

Don't forget to check us out online! **We'd love to hear from you.**

**Website:** [skywalkertrampolines.com](http://skywalkertrampolines.com)

**Facebook:** [facebook.com/skywalkertrampolines](https://facebook.com/skywalkertrampolines)

**YouTube:** [youtube.com/channel/UCUty7EqwIGouK5ovzGpHGrw/feed](https://youtube.com/channel/UCUty7EqwIGouK5ovzGpHGrw/feed)

**Pinterest:** [pinterest.com/swtrampolines](https://pinterest.com/swtrampolines)

**Twitter:** [twitter.com/swtrampolines?lang=en](https://twitter.com/swtrampolines?lang=en)

**Instagram:** [instagram.com/skywalker\\_trampolines/?hl=en](https://instagram.com/skywalker_trampolines/?hl=en)

# LIMITED WARRANTY

---

Skywalker Holdings, LLC warrants its products to be free from defects in material and workmanship under normal use and service conditions. **The steel frame is warranted for three (3) years after the date of purchase. All other parts are warranted for one (1) year after the date of purchase.** Warranty coverage extends only to the original retail purchaser from the date of original purchase. This warranty is only valid concerning products used for residential use. Products used for commercial use, such as schools and daycares, will not be covered.

## WHAT IS NOT COVERED?



**Weather Damage:** The warranty does not cover damage due to the effects or acts of nature, such as earthquakes, wind, hurricanes, tornadoes, lightning, rain, fire, snow, excessive heat and cold conditions and/or sun damage. During the winter months the trampoline soft materials will need to be removed and stored in a dry place out of the snow. If left unprotected in the winter months, some components such as springs, jump mat, spring pad and enclosure, may become damaged, voiding this warranty.



**Fading and Rust:** Our products are fully galvanized. Skywalker does not warranty against rust or corrosion. Some areas may have higher air salt content, higher humidity, heavier rain and heavier snow. Skywalker does not warranty against fading. We suggests customers use a UV protectant on the frame pad to extend the life of the product.



**Loss or damage to Product Due to:** **Loss or damage caused during** shipping or caused by abuse, misuse, improper or abnormal usage or authorized repair are not covered by this warranty and may also void the warranty.



**Unauthorized Replacement Parts:** The warranty will become void if any defects or damages are associated with the use of unauthorized replacement parts. All replacement parts must be obtained from an authorized agent.



**Assembly Service:** The warranty does not cover acts or omissions provided by a third-party assembly service. It is the customer's responsibility to check all boxes and confirm all components are included and in their proper condition before installation occurs.

## INSPECTION AND REPLACEMENT PARTS:

1. Your trampoline SHOULD BE INSPECTED UPON UNPACKING AND SET UP AND THEREAFTER ON A REGULAR BASIS. WORN, DAMAGED OR BROKEN PARTS SHOULD BE REPLACED IMMEDIATELY AND BEFORE USE.
2. Call the Skywalker Trampoline Customer Service Department at 1-866-603-5867 to file a warranty claim. Be prepared to provide the following information: name, shipping address, a copy of your original sales receipt, a brief description of the problem and cause, trampoline model number and serial number. We may also ask for photos of the damaged/defective parts.
3. After reviewing your information and examining your photos, Skywalker Trampolines will make the determination if this part is covered by this warranty. If so, a replacement part will be sent to you.

**NOTE:** All requested information must be provided in order to review your warranty claim.

To order replacement parts for your product please visit [www.skywalkertrampolines.com](http://www.skywalkertrampolines.com)

Skywalker Holdings, LLC, PO Box 574, Brigham City, UT 84302 USA.

Printed in China © 2017 Skywalker Holdings, LLC

**NOTE:** SKYWALKER HOLDINGS, LLC IS NOT RESPONSIBLE OR LIABLE FOR INDIRECT, SPECIAL OR CONSEQUENTIAL DAMAGES ARISING OUT OF OR IN CONNECTION WITH THE USE OR PERFORMANCE OF THE PRODUCT OR OTHER DAMAGES WITH RESPECT TO ANY ECONOMIC LOSS, LOSS OF PROPERTY, LOSS OF REVENUE OR PROFITS, LOSS OF ENJOYMENT OR USE, COST OF REMOVAL, INSTALLATION OR OTHER CONSEQUENTIAL DAMAGES. SOME STATES DO NOT ALLOW THE EXCLUSION OR LIMITATION OF INCIDENTAL OR CONSEQUENTIAL DAMAGES. ACCORDINGLY, THE ABOVE LIMITATION MAY NOT APPLY TO YOU.

THE WARRANTY EXTENDED HEREUNDER IS IN LIEU OF ALL OTHER WARRANTIES AND ANY IMPLIED WARRANTY OF MERCHANTABILITY OR FITNESS FOR A PARTICULAR PURPOSE IS LIMITED IN ITS SCOPE AND DURATION TO THE TERMS SET FORTH HEREIN. SOME STATES OR COUNTRIES DO NOT ALLOW LIMITATIONS ON HOW LONG AN IMPLIED WARRANTY LASTS. ACCORDINGLY, THE ABOVE LIMITATION MAY NOT APPLY TO YOU. THIS WARRANTY GIVES YOU SPECIFIC LEGAL RIGHTS. YOU MAY ALSO HAVE OTHER RIGHTS WHICH VARY STATE TO STATE OR COUNTRY TO COUNTRY.

THIS WARRANTY IS VALID ONLY IN THE COUNTRY THE PRODUCT WAS PURCHASED.