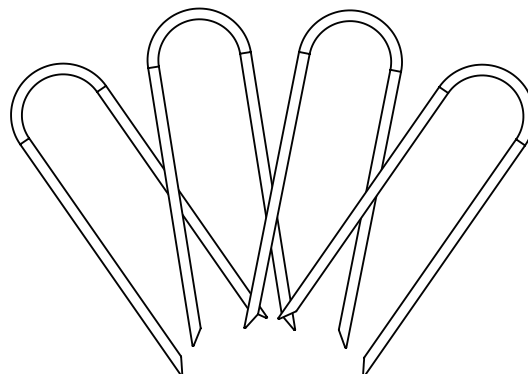
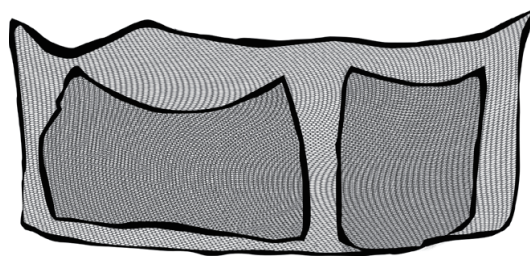
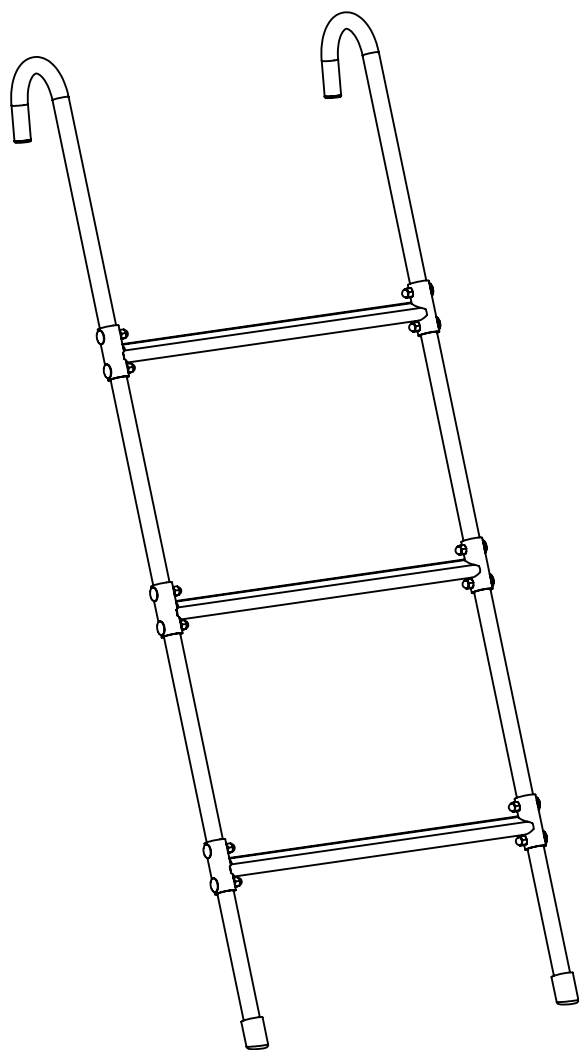


# ASSEMBLY, MAINTENANCE, & **USER MANUAL**

MODEL #SAK100.2



## **WARNING**

Read all precautions and instructions in this manual before using this equipment. Save this manual for future reference. User weight limit 200 lbs.

**SKYWALKER**  
  
**TRAMPOLINES**  
Skywalker Holdings LLC  
P.O. Box 574, Brigham City, UT 84302

# TABLE OF CONTENTS

---

Part List.....	3
Part Identification.....	4
Exploded Drawing.....	5
Assembly.....	6-9
Limited Warranty.....	10



## STOP EVERYTHING YOU'RE DOING AND REGISTER YOUR PRODUCT

Find our warranty registration online by typing in: [www.skywalkertrampolines.com/registration/](http://www.skywalkertrampolines.com/registration/)

You'll need to have the following information handy:

- Name
- Address
- Phone number
- Date of purchase
- Email address
- Model number
- Serial number
- Retailer the product was purchased from

## BEFORE YOU BEGIN

Thanks for choosing Skywalker Trampolines! We're just as excited as you are to help your family live an active (but most importantly **FUN**) lifestyle. This model is one of our favorites, and we're confident you'll love it too. To make things easier for you, we've listed important information that you (and your little outdoor adventurers) need to know. Make sure you brush up on the warnings, instructions, assembly, maintenance, and use of your new product... because there will be a pop quiz at the end! (Okay, not **REALLY**, but if you're still reading this, props to you! You're awesome).

### **WARNING**

Ladders allow young children to climb onto the trampoline. Trampolines are not for children under 6 years of age. Do not use ladder if children under 6 are nearby. Remove ladder when trampoline is not in use, to prevent unauthorized use.

### **WARNING**

Properly secure the trampoline when not in use. Protect it against unauthorized use. If a trampoline ladder is used, the supervisor should remove it from the trampoline when leaving the area to prevent unsupervised access by children under 6 years of age.

### **IMPORTANT**

Trampoline/enclosures and game attachments are susceptible to winds.

### **WARNING**

CHOKING HAZARD- Small parts not for children under 3 years.

### **WARNING**

Adult assembly required.

# PART LIST

---

Key No.	Qty.	Description
1	12	M6x31 Bolt
2	12	M6 Nut
3	2	End Cap
4	2	Frame Leg
5	3	Cross Bar
6	1	Shoe bag
7	4	Wind stakes

## ORDERING REPLACEMENT PARTS

We get it... sometimes things happen. But the fun shouldn't stop just because you need a new bolt or screw! To order replacement parts, check out our website at: [www.skywalkertrampolines.com](http://www.skywalkertrampolines.com) or call our toll-free Customer Care Hot-line at **1-866-603-Jump (5867)**, Monday - Thursday, 8 a.m. until 5 p.m. and Friday 8 a.m. until 3 p.m. Mountain Time (excluding holidays)

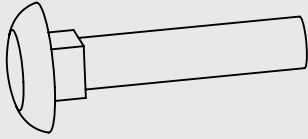
Our customer service team will ask you a few questions in order to get the replacement part sent out as soon as possible. We're not trying to complicate your life, we promise.

When calling, make sure to have the following information ready:

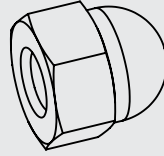
- The model # of the product (see the front cover of this manual)
- The key # and description of the part (see the part list above)
- The quantity needed (only you know the answer to that one!)

# PART IDENTIFICATION

Before you begin, take a look at the drawings below to make sure you have all the parts! The numbers in the squares to the left (key numbers) will help you identify the parts during assembly.



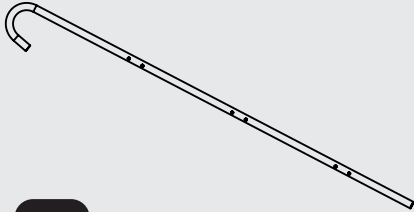
**1** M6x31 Bolt (x12)



**2** M6 Nut (x12)



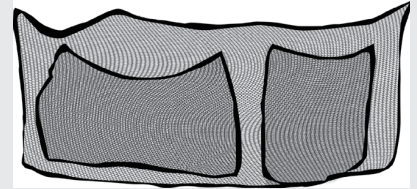
**3** End cap (x2)



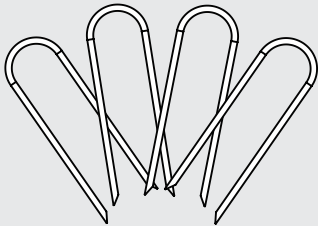
**4** Frame leg (x2)



**5** Cross bar (x3)

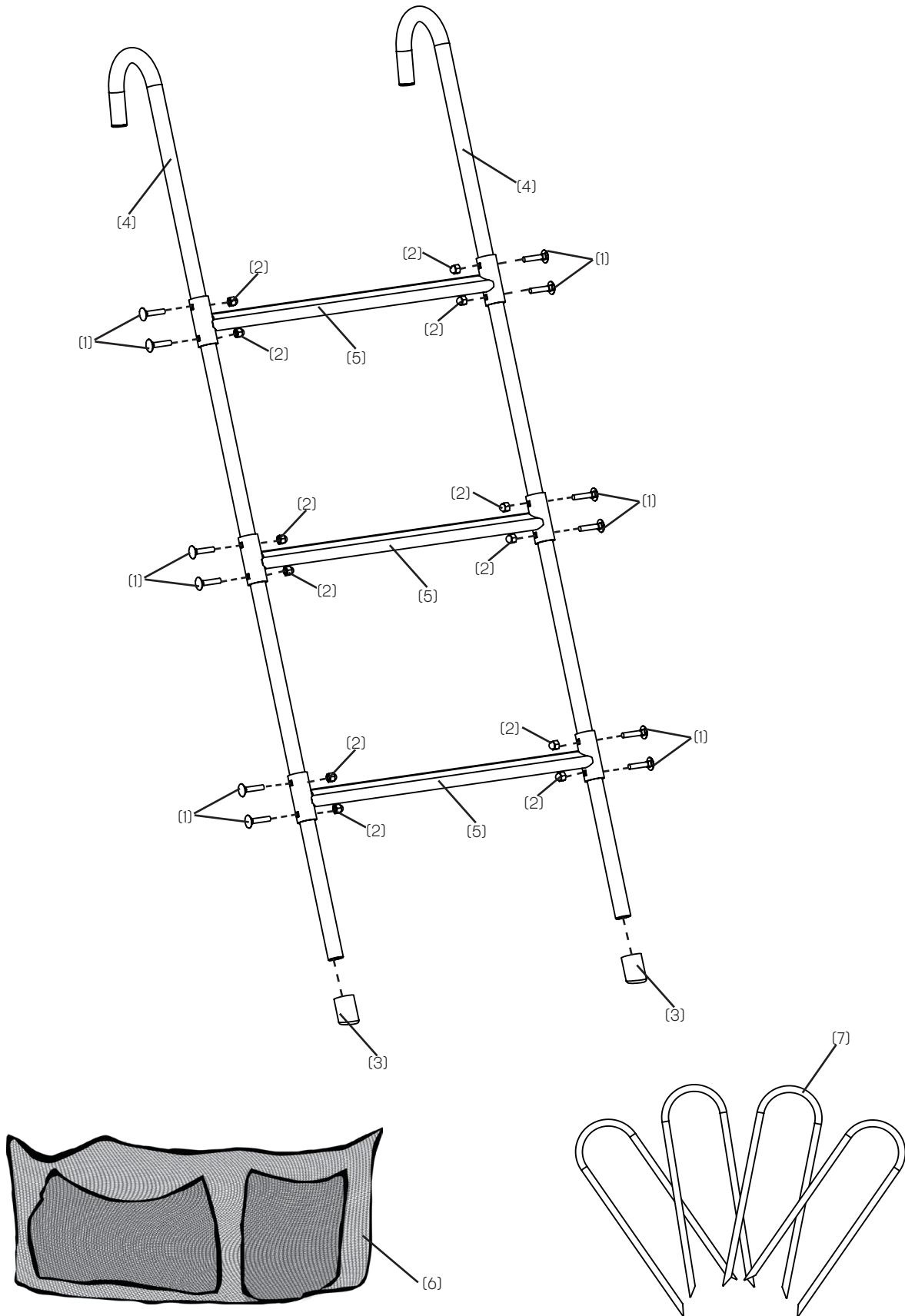


**6** Shoe bag (x1)



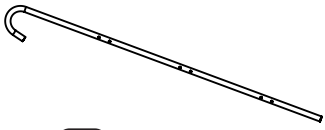
**7** Wind stakes (x4)

# EXPLODED DRAWING



# ASSEMBLY

## STEP 1

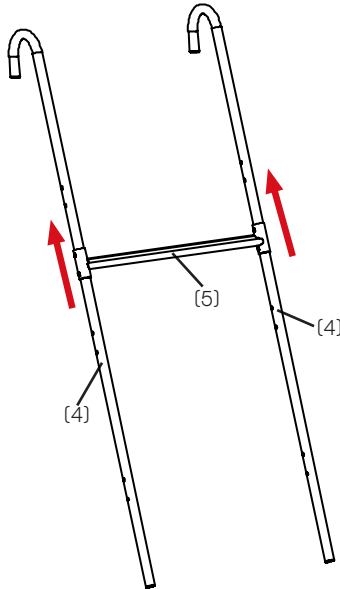


**4** Frame leg (x2)



**5** Cross bar (x1)

First thing's first... register your product! For info on warranty registration, see page 2. Then, lay **two curved frame legs (4)** on a clear area. Next, place one frame leg into **each hole** of **one cross bar (5)**. Slide the cross bar up the legs until the **cross bar bolt holes** line up with the **top leg bolt holes**.

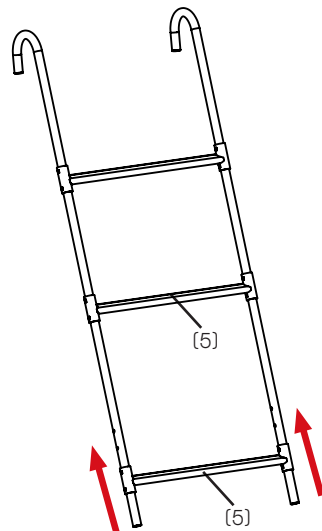


## STEP 2



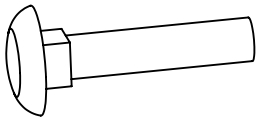
**5** Cross bar (x2)

Slide the **second and third cross bars** onto the **frame legs**, making sure all of the **bolt holes** line up!

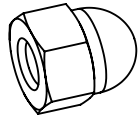


# ASSEMBLY

## STEP 3

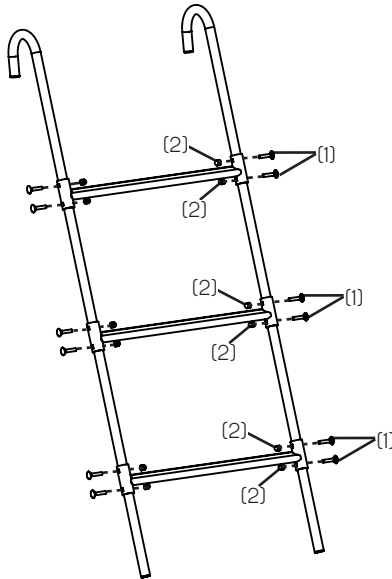


**1** M6x31 Bolt (x12)



**2** M6 Nut (x12)

Secure each **cross bar** to the **frame legs** with 12 M6x31mm bolts **(1)** and 12 M6 nuts **(2)**.



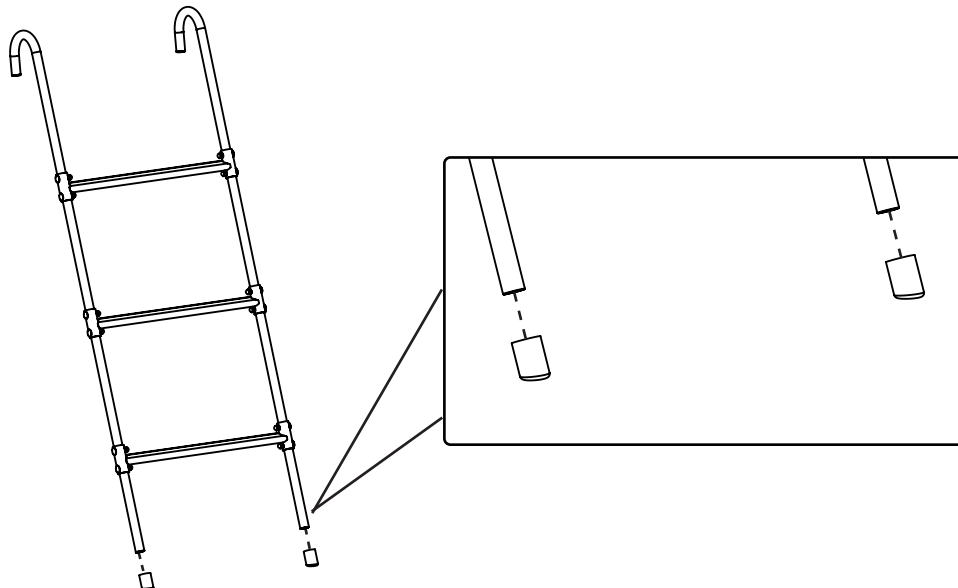
## STEP 4



**3** End cap (x2)

Position the ladder so the **curved handles** are **facing down**. Then, slide the **end caps (3)** onto the **bottom** of each leg.

**Note: Make sure the slanted side of the end cap is facing down!**

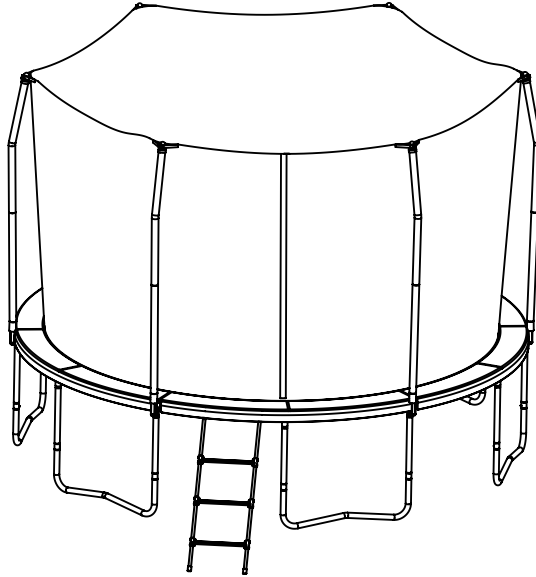


# ASSEMBLY

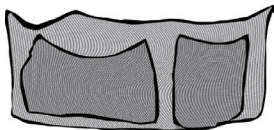
## STEP 5

Make sure all bolts and end caps are tight and secure!

To place the ladder on the trampoline, simply lift the spring pad and hook the top of the ladder to the trampoline frame.



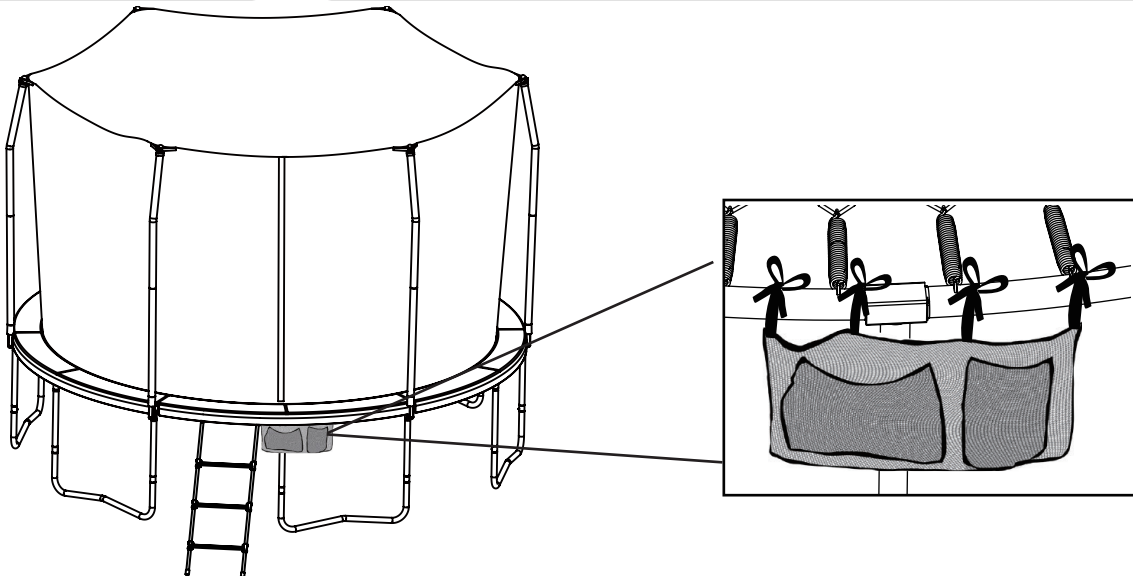
## STEP 6



**6** Shoe bag (x1)

To place the shoe bag (6), lift the spring pad where you'd like the shoe bag to hang, and simply tie it to the trampoline frame with the attached straps.

Note: Use bows (not knots) or removal could be difficult.



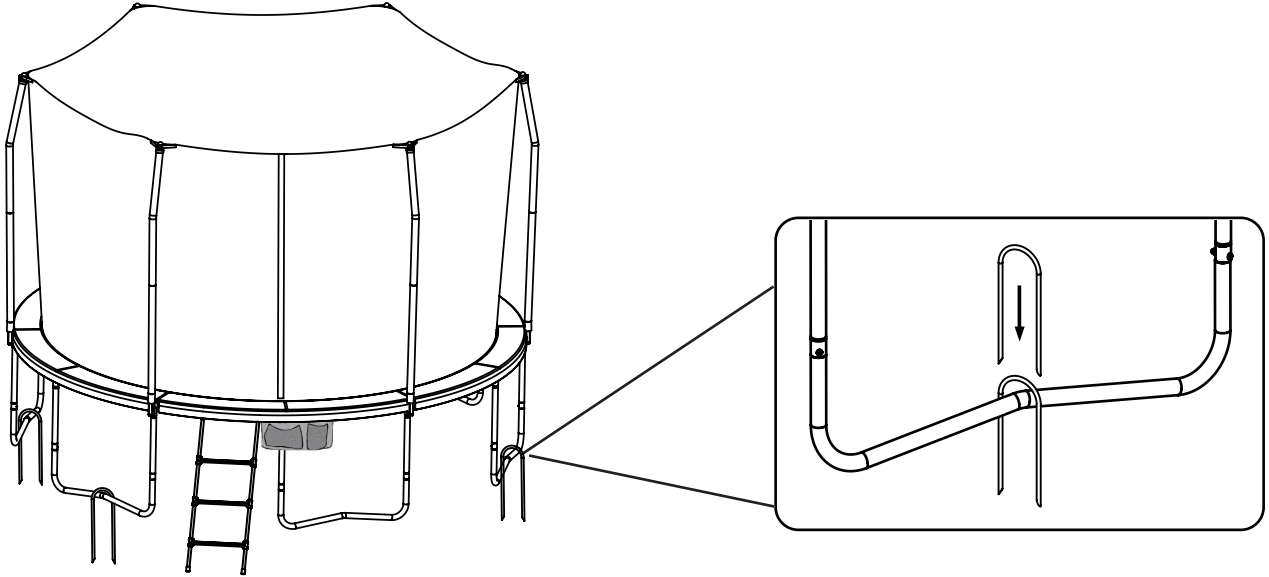


## STEP 7



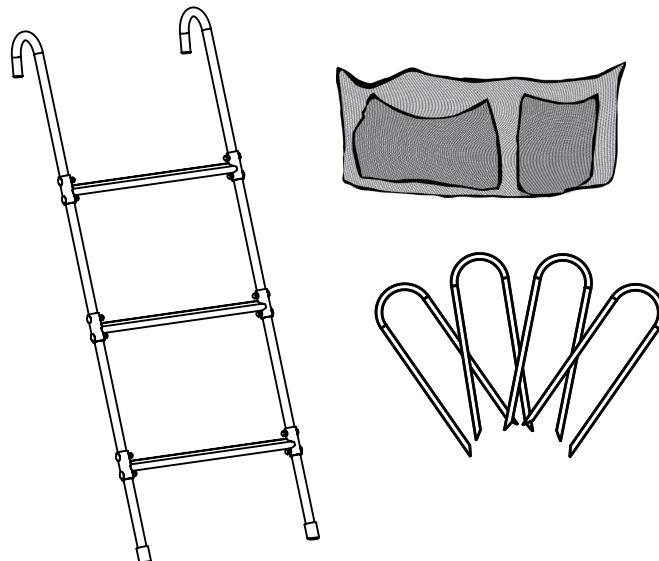
**7** Wind stakes (x4)

To insert the wind stakes (7), place the wind stakes over the top of the trampoline legs. The wind stakes should straddle the trampoline leg with the points facing down. Push or pound the wind stakes firmly into the ground, and make sure they don't create a tripping hazard!



## STEP 8

Congratulations on completing your new ladder kit! (See... we knew you could do it!) So here comes the real question... **are you satisfied with this completed product?** If you are, go ahead and **write a review** on the retailer's site you bought it from. We'd really appreciate it... and if we could, we'd give you a gold star. Are you completely frustrated and have some choice words for us? Contact us directly! We're not trying to ruin your life, we promise. And we'll do everything we can to make it right again. See contact info on page 2-3.



# LIMITED WARRANTY

---

Skywalker Holdings, LLC warrants its products to be free from defects in material and workmanship under normal use and service conditions. **The steel frame is warranted for three (3) years after the date of purchase. All other parts are warranted for one (1) year after the date of purchase.** Warranty coverage extends only to the original retail purchaser from the date of original purchase. This warranty is only valid concerning products used for residential use. Products used for commercial use, such as schools and daycares, will not be covered.

## WHAT IS NOT COVERED?



**Weather Damage:** The warranty does not cover damage due to the effects or acts of nature, such as earthquakes, wind, hurricanes, tornadoes, lightning, rain, fire, snow, excessive heat and cold conditions and/or sun damage. During the winter months the trampoline soft materials will need to be removed and stored in a dry place out of the snow. If left unprotected in the winter months, some components such as springs, jump mat, spring pad and enclosure, may become damaged, voiding this warranty.



**Fading and Rust:** Our products are fully galvanized. Skywalker does not warranty against rust or corrosion. Some areas may have higher air salt content, higher humidity, heavier rain and heavier snow. Skywalker does not warranty against fading. We suggests customers use a UV protectant on the frame pad to extend the life of the product.



**Loss or damage to Product Due to:** **Loss or damage caused during** shipping or caused by abuse, misuse, improper or abnormal usage or authorized repair are not covered by this warranty and may also void the warranty.



**Unauthorized Replacement Parts:** The warranty will become void if any defects or damages are associated with the use of unauthorized replacement parts. All replacement parts must be obtained from an authorized agent.



**Assembly Service:** The warranty does not cover acts or omissions provided by a third-party assembly service. It is the customer's responsibility to check all boxes and confirm all components are included and in their proper condition before installation occurs.

## INSPECTION AND REPLACEMENT PARTS:

1. Your trampoline SHOULD BE INSPECTED UPON UNPACKING AND SET UP AND THEREAFTER ON A REGULAR BASIS. WORN, DAMAGED OR BROKEN PARTS SHOULD BE REPLACED IMMEDIATELY AND BEFORE USE.
2. Call the Skywalker Trampoline Customer Service Department at 1-866-603-5867 to file a warranty claim. Be prepared to provide the following information: name, shipping address, a copy of your original sales receipt, a brief description of the problem and cause, trampoline model number and serial number. We may also ask for photos of the damaged/defective parts.
3. After reviewing your information and examining your photos, Skywalker Trampolines will make the determination if this part is covered by this warranty. If so, a replacement part will be sent to you.

**NOTE:** All requested information must be provided in order to review your warranty claim.

To order replacement parts for your product please visit [www.skywalkertrampolines.com](http://www.skywalkertrampolines.com)

Skywalker Holdings, LLC, PO Box 574, Brigham City, UT 84302 USA.

Printed in China © 2020 Skywalker Holdings, LLC

**NOTE:** SKYWALKER HOLDINGS, LLC IS NOT RESPONSIBLE OR LIABLE FOR INDIRECT, SPECIAL OR CONSEQUENTIAL DAMAGES ARISING OUT OF OR IN CONNECTION WITH THE USE OR PERFORMANCE OF THE PRODUCT OR OTHER DAMAGES WITH RESPECT TO ANY ECONOMIC LOSS, LOSS OF PROPERTY, LOSS OF REVENUE OR PROFITS, LOSS OF ENJOYMENT OR USE, COST OF REMOVAL, INSTALLATION OR OTHER CONSEQUENTIAL DAMAGES. SOME STATES DO NOT ALLOW THE EXCLUSION OR LIMITATION OF INCIDENTAL OR CONSEQUENTIAL DAMAGES. ACCORDINGLY, THE ABOVE LIMITATION MAY NOT APPLY TO YOU.

THE WARRANTY EXTENDED HEREUNDER IS IN LIEU OF ALL OTHER WARRANTIES AND ANY IMPLIED WARRANTY OF MERCHANTABILITY OR FITNESS FOR A PARTICULAR PURPOSE IS LIMITED IN ITS SCOPE AND DURATION TO THE TERMS SET FORTH HEREIN. SOME STATES OR COUNTRIES DO NOT ALLOW LIMITATIONS ON HOW LONG AN IMPLIED WARRANTY LASTS. ACCORDINGLY, THE ABOVE LIMITATION MAY NOT APPLY TO YOU. THIS WARRANTY GIVES YOU SPECIFIC LEGAL RIGHTS. YOU MAY ALSO HAVE OTHER RIGHTS WHICH VARY STATE TO STATE OR COUNTRY TO COUNTRY.

THIS WARRANTY IS VALID ONLY IN THE COUNTRY THE PRODUCT WAS PURCHASED.