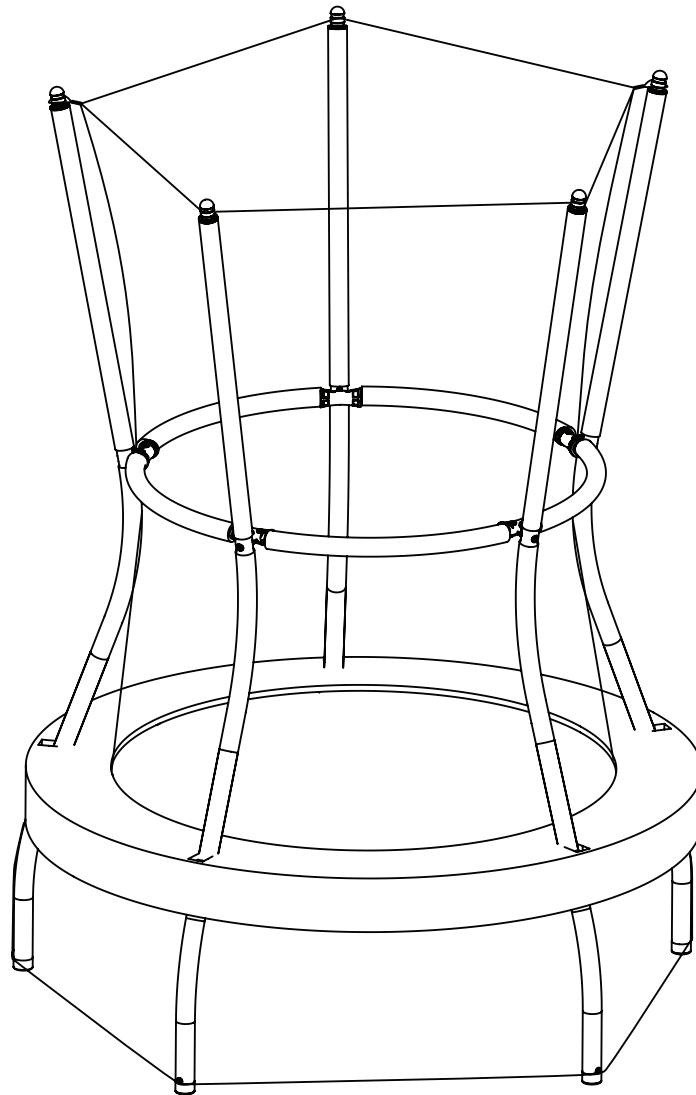


ASSEMBLY, MAINTENANCE, & **USER MANUAL**

40" MINI TRAMPOLINE



WARNING

Read all precautions and instructions in this manual before using this equipment. Save this manual for future reference. **Maximum user weight 100 lbs.**

SKYWALKER

TRAMPOLINES
Skywalker Holdings LLC
P.O. Box 574, Brigham City, UT 84302

TABLE OF CONTENTS

Part List.....	3
Part Identification.....	4-5
Exploded Drawing.....	6
Assembly.....	7-17
Maintenance and Care Information.....	18
Warning Label Placement.....	18
Instructions for Use.....	19
Methods of Accident Prevention.....	20
Instructions and Model Lessons.....	21-23
Trampoline Safety Information.....	24
Enclosure Safety Information.....	25
Limited Warranty.....	26

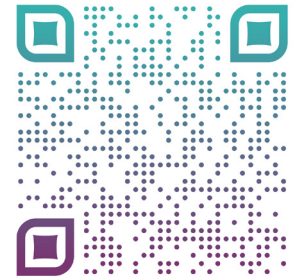


STOP EVERYTHING YOU'RE DOING AND REGISTER YOUR MINI TRAMPOLINE

Find our warranty registration online by typing in: www.skywalkertrampolines.com/registration/

You'll need to have the following information handy:

- Name
- Address
- Phone number
- Date of purchase
- Email address
- Trampoline model number
- Trampoline serial number
- Retailer the product was purchased from



HEY WE'VE GOT SOMETHING REALLY IMPORTANT TO SAY

Skywalker Trampolines belongs to a family of brands focused on providing active products. Check us out online! We've got **assembly videos** (for those of you who prefer movies over books), **FAQs** (so you know you're not the only one who needs help), **additional products** (including trampolines, sports, fitness, and playground equipment), and most importantly, find us on social media! Because we want to be your friend. **We'd love to see how you are using our products!**



@skywalkertrampolines



skywalkertrampolines



@skywalker_trampolines



@swtrampolines



@swtrampolines



www.skywalkertrampolines.com

IMPORTANT

Trampolines and enclosures are susceptible to winds. Be sure to secure your trampoline and enclosure. Wind damage is not covered in the warranty of your trampoline.

WARNING

CHOKING HAZARD- Small parts not for children under 3 years.

WARNING

Adult assembly required.

PART LIST

Key No.	Qty.	Description
1	5	Frame Tube
2	5	Leg
3	5	Enclosure Tube
4	5	Rail
5	5	Joint
6	1	Mat with Net
7	1	Pad with Net
8	25	Elastic with Ball
9	5	Upper Foam 21.5 in (545 mm)
10	5	Middle Foam 11.9 in (302 mm)
11	5	Lower Foam 8 in (205 mm)
12	5	Rail Foam 16.9 in (430 mm)
13	5	Sleeve
14	5	Pole Cap
15	5	End Cap
16	27	Screw
17	1	Screw Driver
#	1	User Manual
#	1	Warning Label

ORDERING REPLACEMENT PARTS

We get it, sometimes things happen, but the fun shouldn't stop just because you need a new bolt or screw. To order replacement parts, check out our website www.skywalkertrampolines.com or call our toll-free Customer Care Hotline at **1-866-603-Jump (5867)**, Monday - Thursday 8 a.m. to 5 p.m., Friday 8 a.m. to 3 p.m. Mountain Time (excluding holidays).

Our customer service team will ask you a few questions in order to get the replacement part sent out as soon as possible. We're not trying to complicate your life, we promise.

When calling, make sure to have the following information ready:

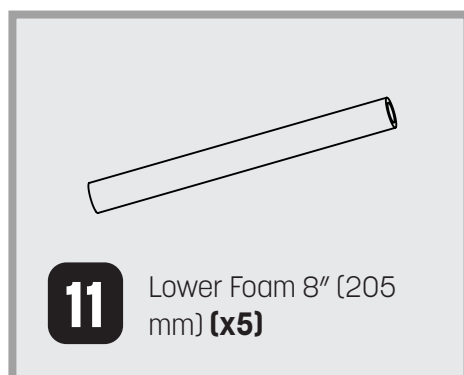
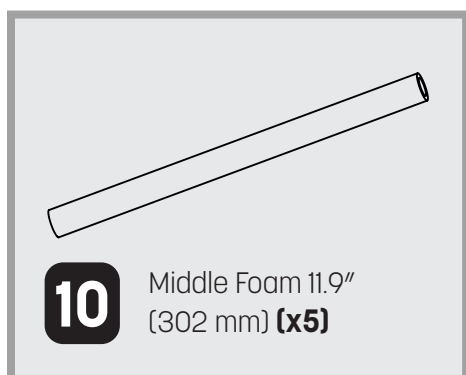
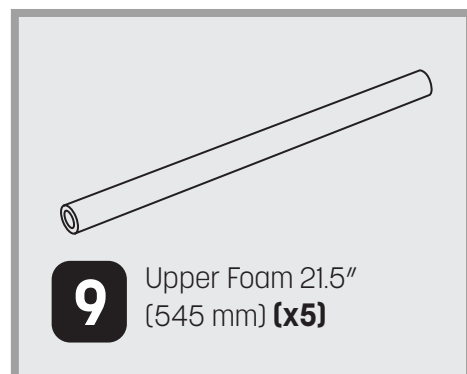
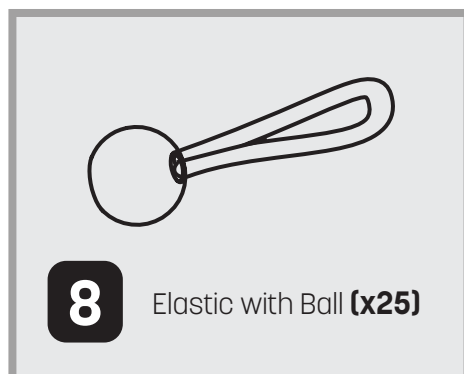
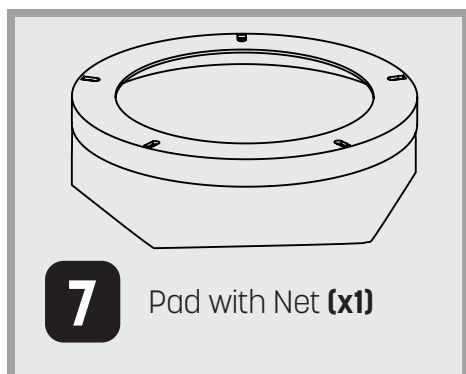
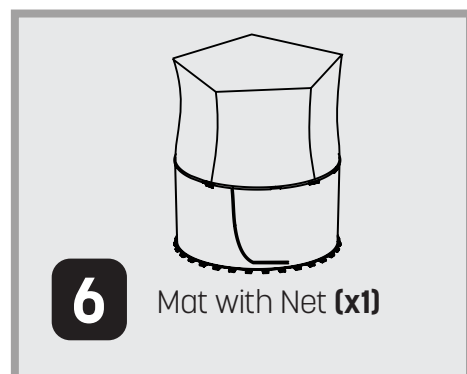
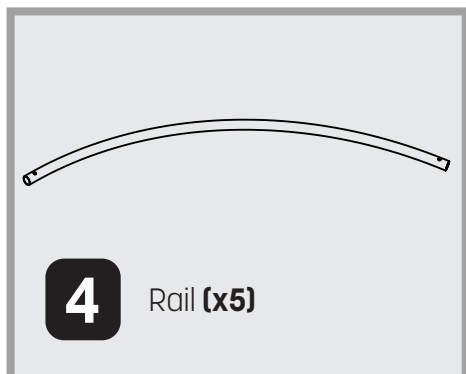
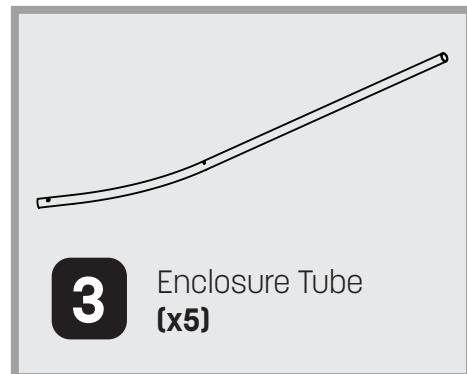
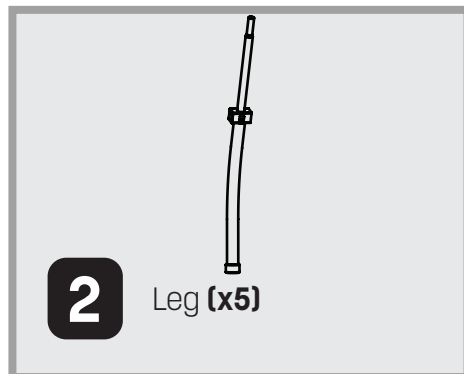
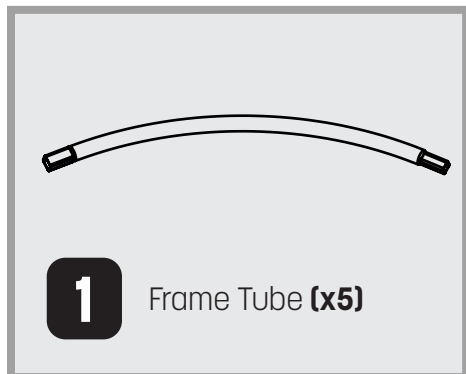
- The model # of the product (see the front cover of this manual)
- The key # and description of the part (see the part list above)
- The quantity needed (only you know the answer to that one!)

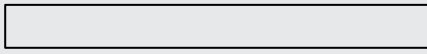
BEFORE YOU BEGIN

Thank you for choosing Skywalker Trampolines! We're just as excited as you are to help your family live an active (but most importantly **FUN**) lifestyle. This model is one of our favorites, and we're confident you'll love it, too. We want to make things easier for you, so we have listed all the important information that you (and your little outdoor adventurers) need to know. Make sure you brush up on the warnings, instructions, assembly, maintenance, and use of your new product because there will be a pop quiz at the end (Okay, not **REALLY**, but if you're still reading this, props to you! You're awesome!).

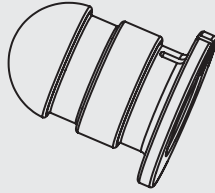
PART IDENTIFICATION

Before you begin, take a look at the drawings below to make sure you have all the parts! The numbers in the squares to the left (key numbers) will help you identify the parts during assembly.

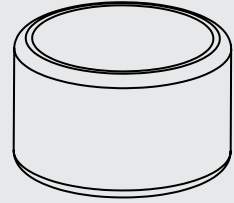




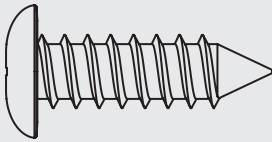
13 Sleeve (x5)



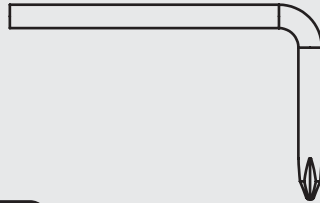
14 Pole Cap (x5)



15 End Cap (x5)
(Pre-installed)

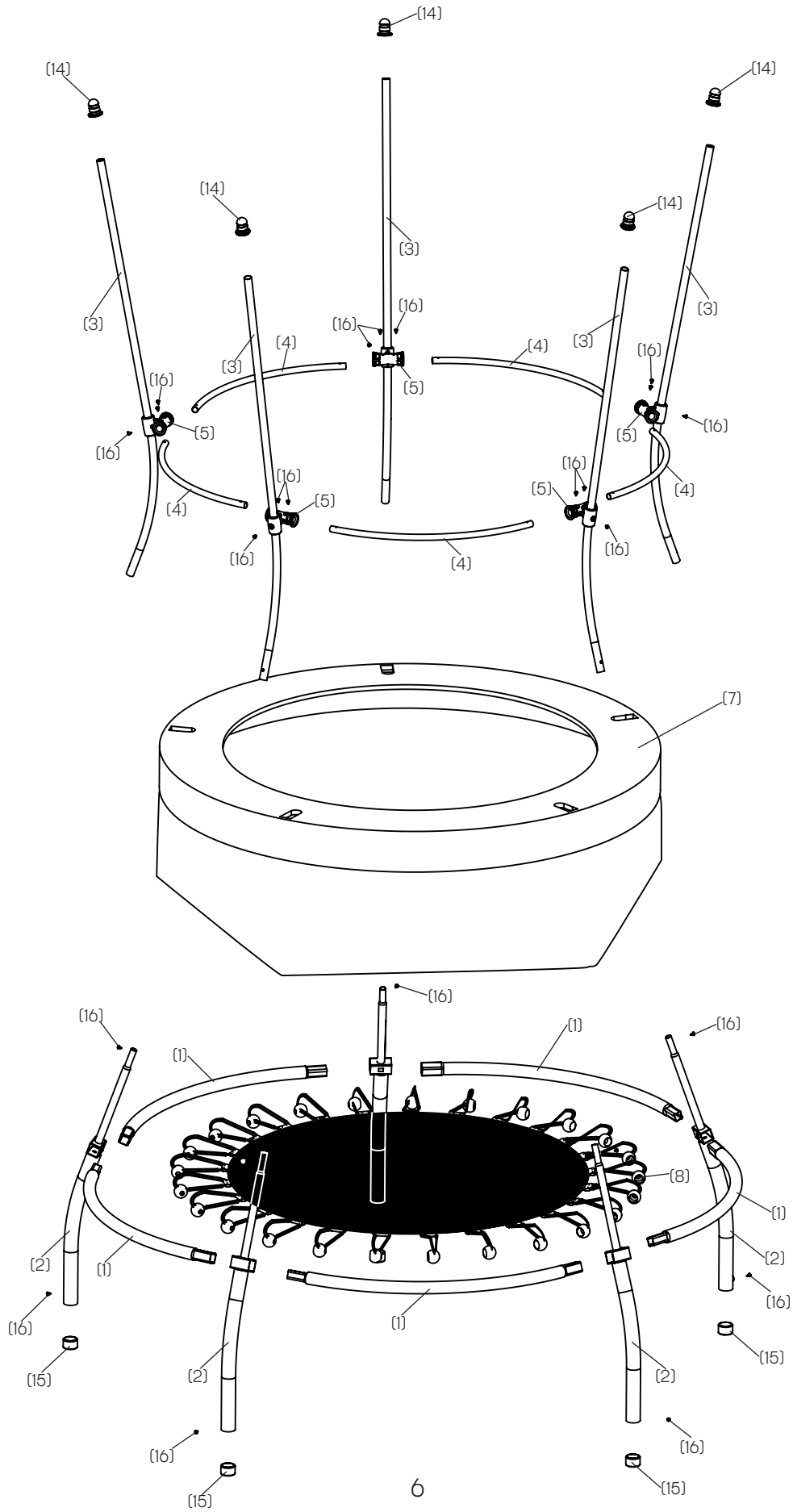


16 Self-tapping Screw
(x27) two spare parts



17 Screw Driver (x1)

EXPLODED DRAWING



ASSEMBLY

READ THIS BEFORE YOU BEGIN

- You'll probably need at least **two adults** and **2 hours** to assemble your trampoline (of course, that depends on what model you have, and whether or not you're secretly a superhero)
- We've provided some tools to help with assembly, but you're more than welcome to use your own. Many find that a **power drill** and **gloves** come in handy.
- The assembly steps refer to parts by their descriptions and key numbers (see the part list on page 3)
- The assembly steps are written in a specific order, and if you don't follow them exactly, you may end up having to start all over again
- Most importantly, this may not be the easiest thing you've ever done, but it will be **worth it**. Trust us

If you're a visual learner, check out our assembly videos! They're pretty great!

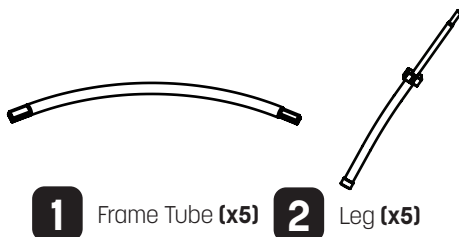


skywalkertrampolines

STEP 1

Register your mini trampoline! For info on **warranty registration**, see page 2.

STEP 2

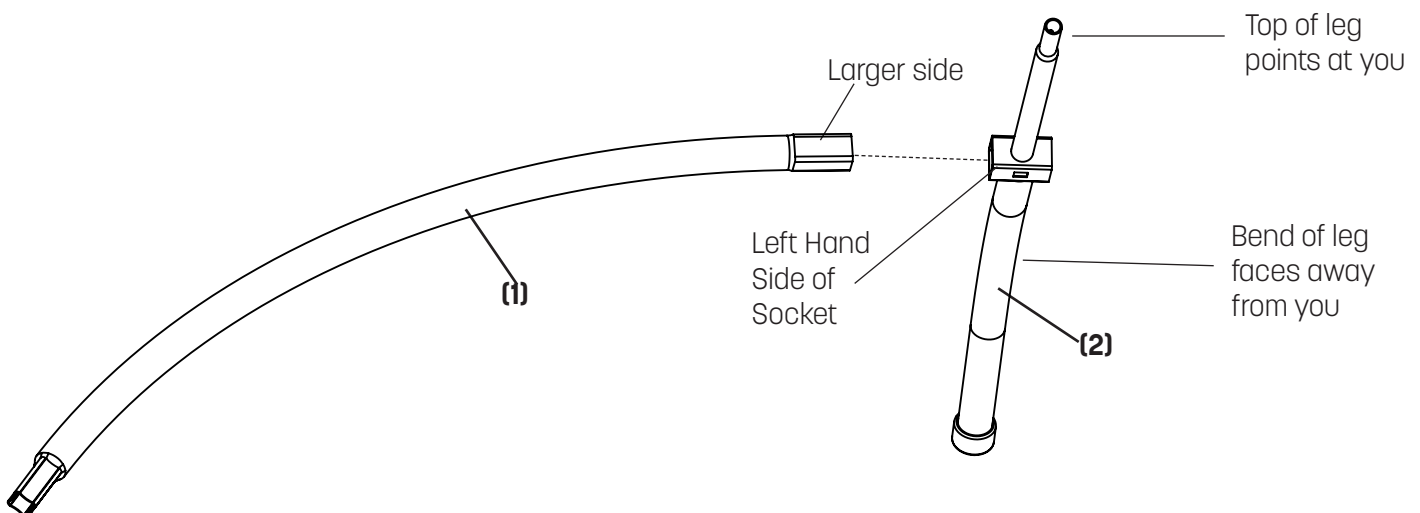


Insert the frame tube **(1)** into the leg **(1)** as shown.

IMPORTANT: The way these pieces go together affects how the frame sits. To ensure proper assembly, place the leg **(2)** so the top points at you and the bend of the leg faces away from you like the image below. Then insert the **larger side** of the frame tube **(1)** into the **left hand side** of the leg **(2)** socket.

See below for example.

Now that you're a pro, repeat this step with the four remaining frame tubes **(1)** and legs **(2)**.

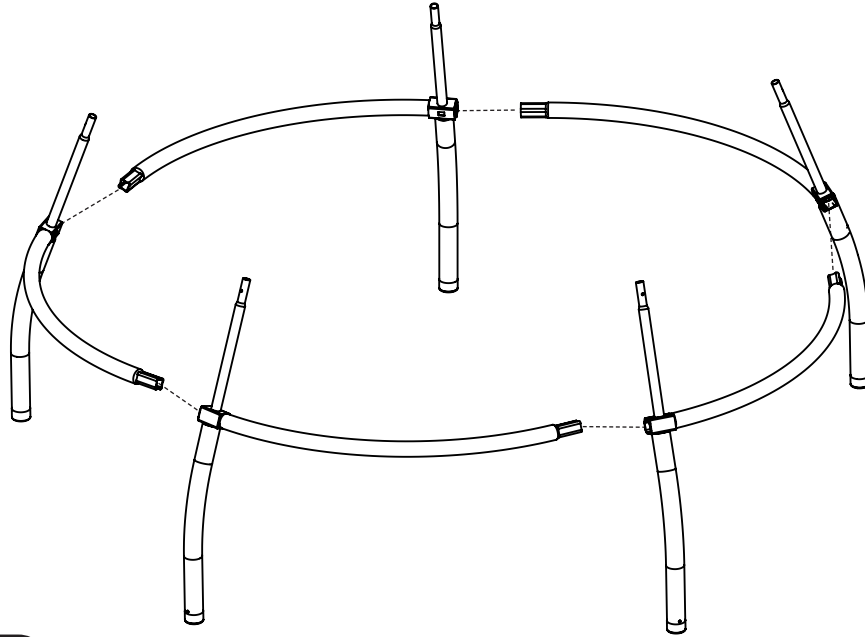


ASSEMBLY

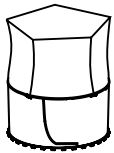
STEP 3

Next, connect all the frame pieces together.

Note: If the bottom of the legs are leaning noticeably inward and not flat on the ground, go back to Step 2. Make sure you assemble with the larger side of the frame tube placed into the left side of the leg socket with the top of the leg pointing at you and the bend facing away from you.



STEP 4



6 Mat with Net (x1)

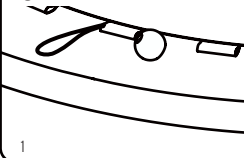


8 Elastic with Ball (x5)

Place the mat with net **(6)** on the ground inside the frame. **Make sure the zipper of the door is centered between the two legs.** Then, using one elastic with ball **(8)** attach the mat to the frame in location A. Repeat this step to attach 4 remaining elastic bands in locations B-C-D-E as shown. *Follow the example below for the easiest way to attach the stretch bands.*

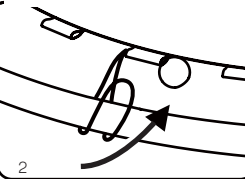
One elastic band should be centered in between each leg.

Thread the stretch bands all the way through the tab until the ball sits against it



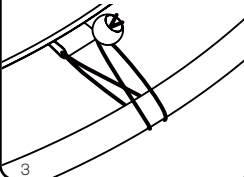
1

Pull stretch band under and over the Frame Tube and onto the ball



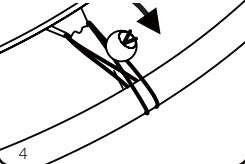
2

Trust us, your hands will thank you for doing it this way

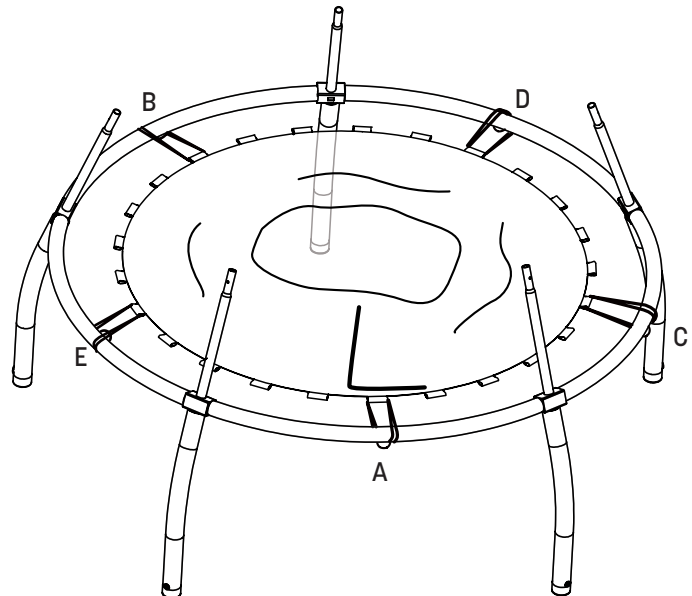


3

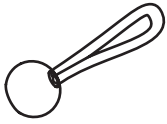
Spend time adjusting the stretch bands so the ball is underneath the frame tube



4

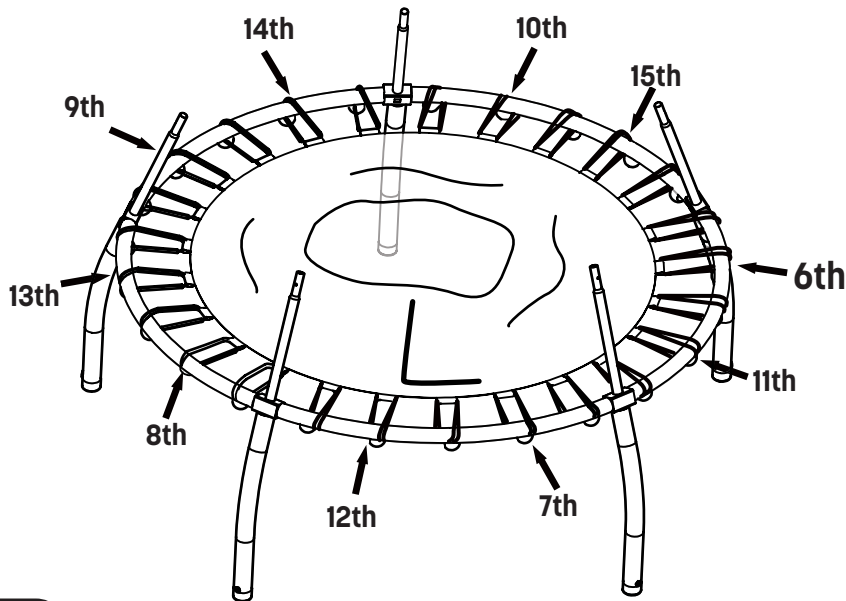


STEP 5

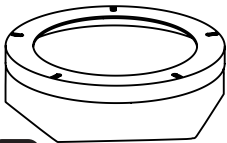


8 Elastic with Ball (x20)

Following the pattern below and beginning with the **6th band**, continue to place the elastic bands around the frame in a clockwise direction until all 20 bands are used. **It will get tight as you near the end of attaching the stretch bands and wearing gloves will come in handy at this point to prevent blisters.** Make sure the balls on the elastic bands are located on the underside of the trampoline. After all the elastics have been placed, if the mat is not in the middle of the frame, spend time adjusting the stretch bands.

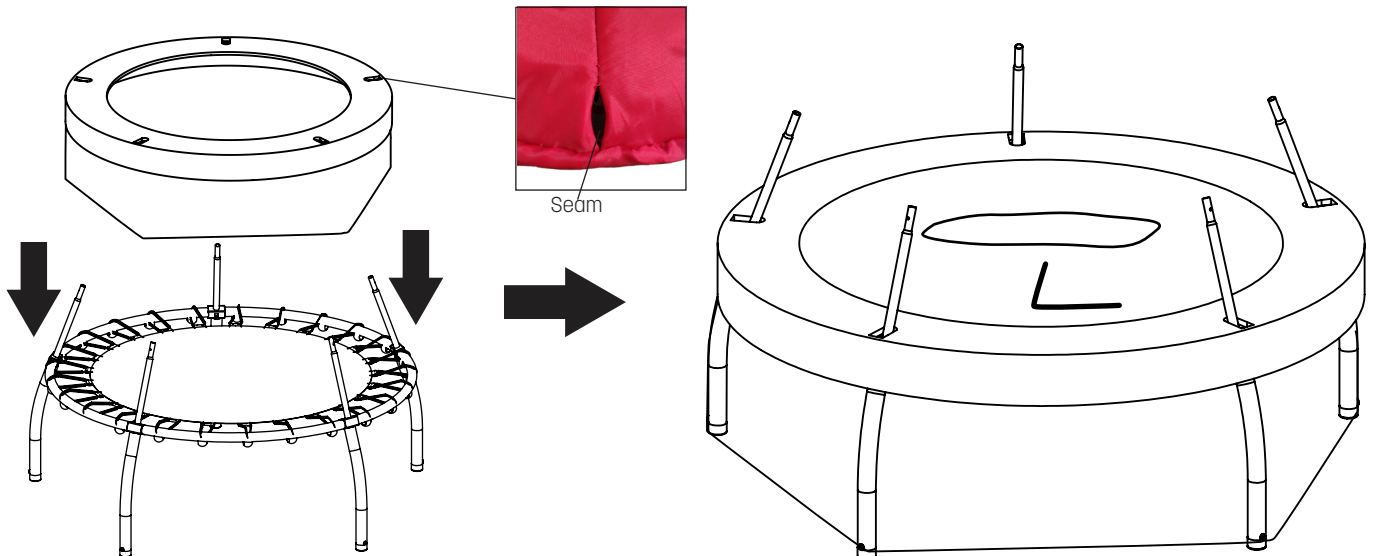


STEP 6



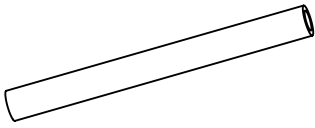
7 Pad with Net (x1)

Lay the pad with net (**7**) on the frame. There are premade slits in the pad. Adjust the position of the pad so that the premade slits are directly above the legs. Insert the top of the legs into the slits of the spring pad. *Pull gently at the seams of the spring pad to find the holes.* Insert the top of the legs into the slits of the spring pad and place the spring pad onto the frame.



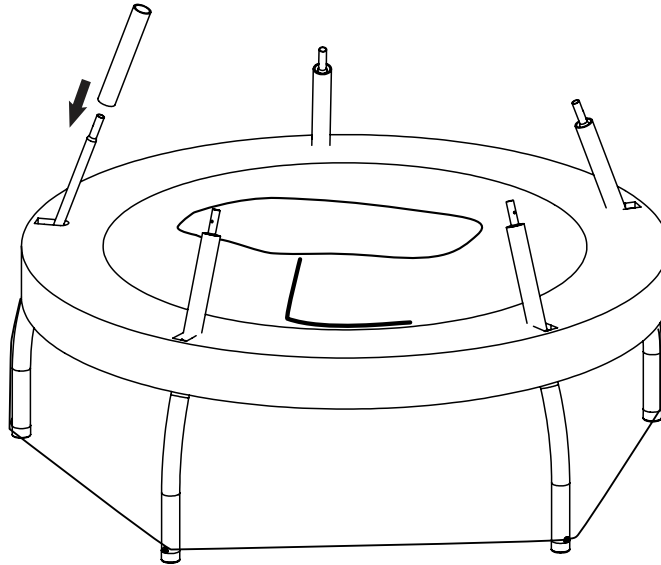
ASSEMBLY

STEP 7



11 Lower Foam 8" (205 mm) (x5)

Place the lower foam (11) onto the tube as shown.



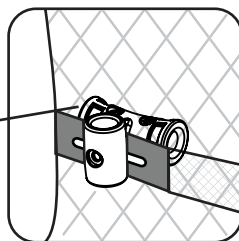
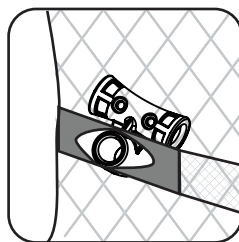
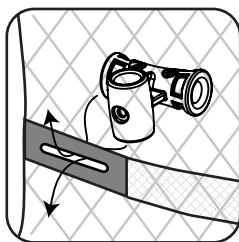
STEP 8



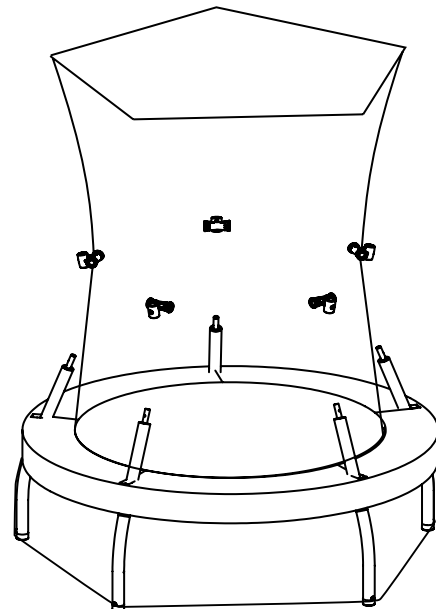
5 Joint (x5)

Unfold the enclosure net attached to the mat, find the hole on net. Find the premade holes near the middle of the net. Place a joint (5) into the hole from the inside of net.

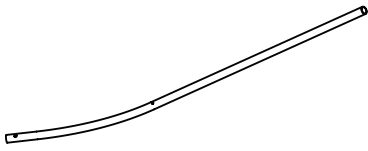
Repeat this step until all the joints have been placed inside the net.



Make sure the joint holes are facing up

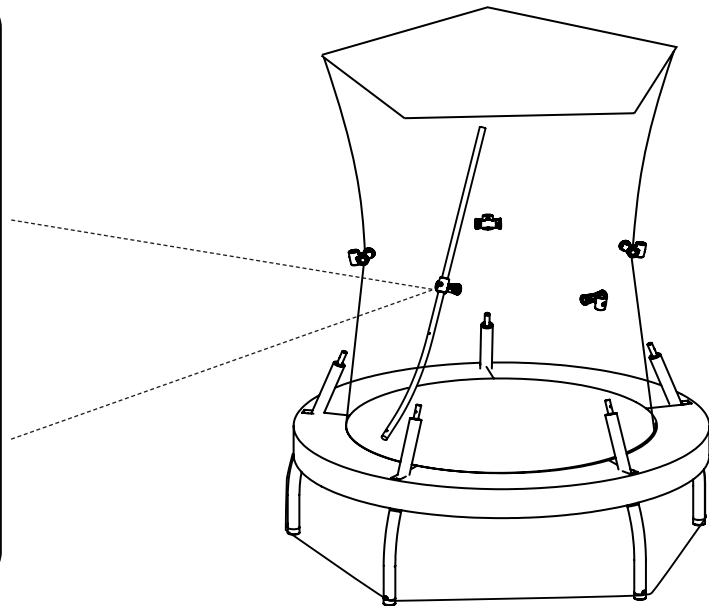
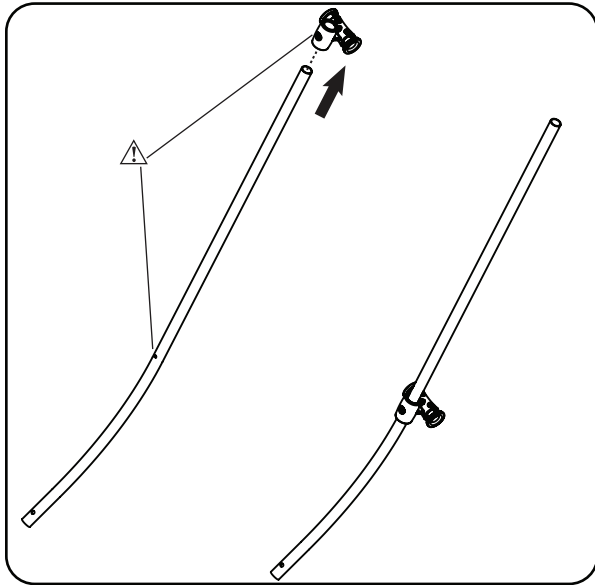


STEP 9

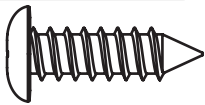


3 Enclosure tube (x1)

Slide the enclosure tube **(3)** into the joint **(5)** as shown. Make sure the middle hole in the enclosure tube aligns with the hole in the joint.



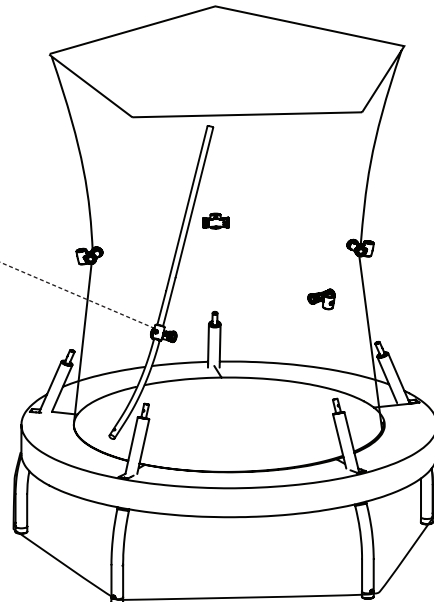
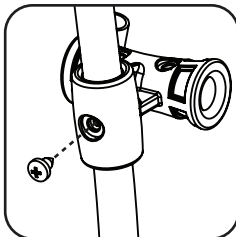
STEP 10



16 Self-tapping Screw (x1)

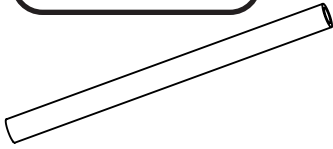
Secure the joint and enclosure tube with screws **(16)** as shown.

Note: The self tapping screws can be difficult to screw in as the holes are not prethreaded. Your included tool or a screwdriver will work, but a power drill can makes things a little easier.



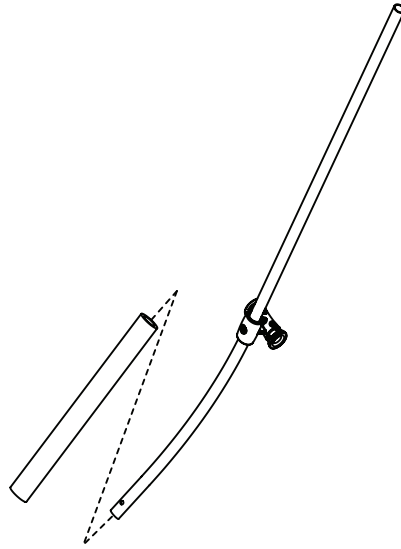
ASSEMBLY

STEP 11

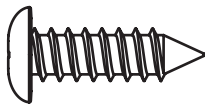


10 Middle Foam 11" (302 mm) (x1)

Slide the middle foam **(10)** onto the assembled enclosure tube **(3)** as shown.

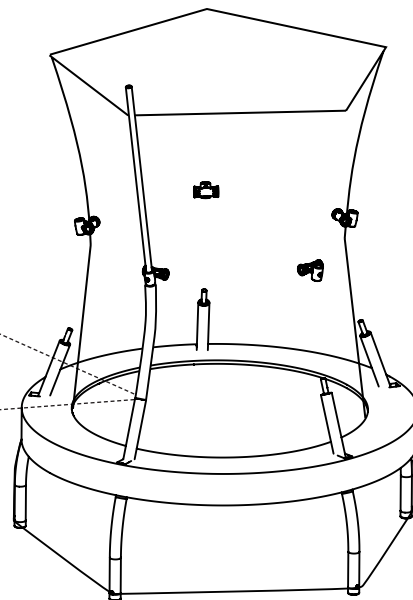
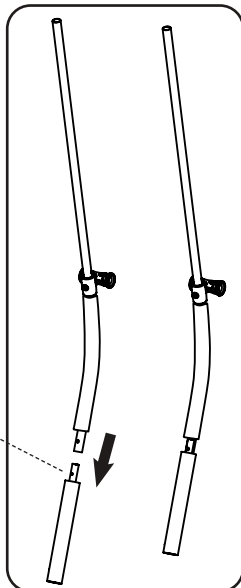
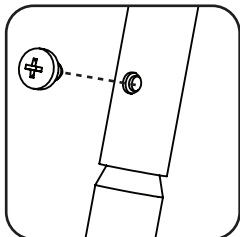


STEP 12



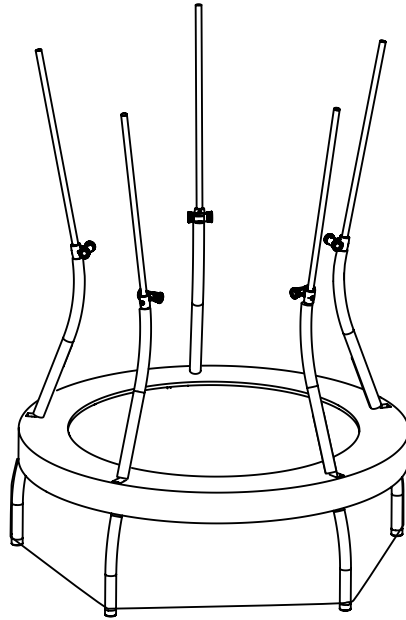
16 Self-tapping Screw (x1)

Then place the assembled enclosure tube **(3)** onto the leg tube and secure together with a screw **(16)** as shown.

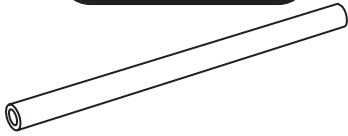


STEP 13

Repeat steps 9-12 to assemble the remaining four enclosure tubes (3).

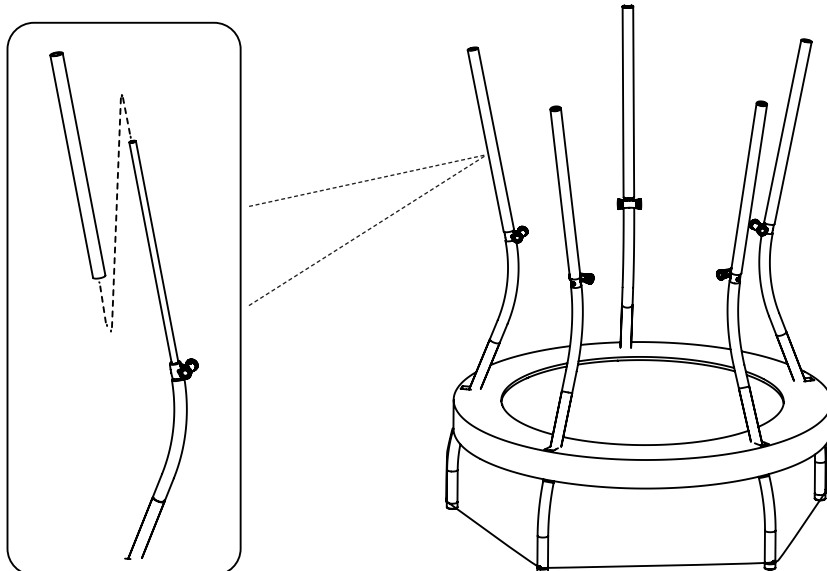


STEP 14



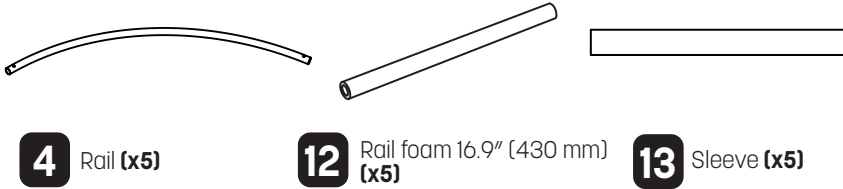
9 Upper Foam 21" (545 mm) (x5)

Place the upper foam (9) onto the enclosure tube as shown.

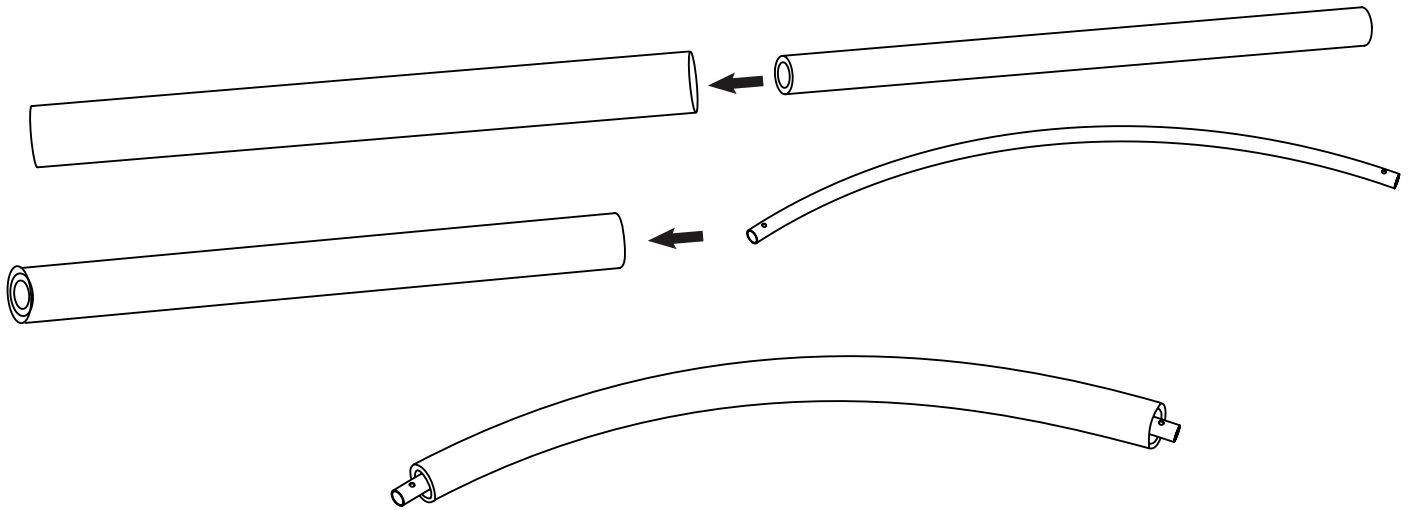


ASSEMBLY

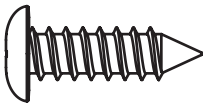
STEP 15



Insert a rail foam **(12)** into the sleeve **(13)**. Then insert a rail **(4)** into the foam you just placed inside the sleeve.



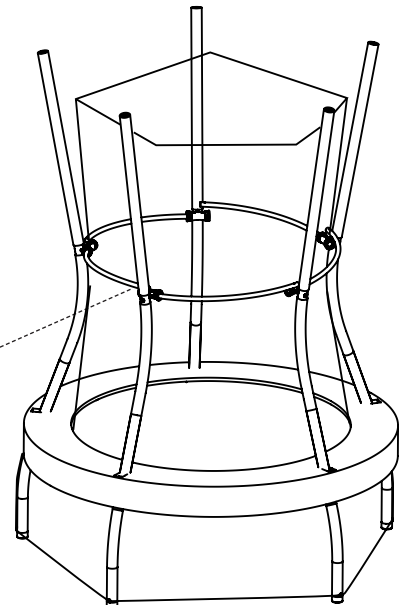
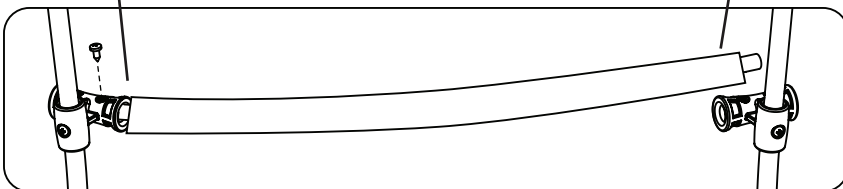
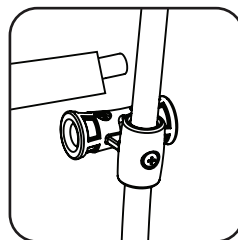
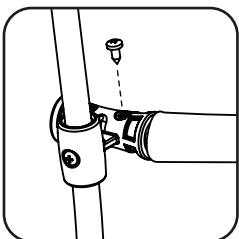
STEP 16



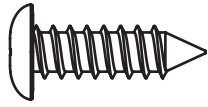
16 Self-tapping Screw (x5)

Now insert one end of the rail **(2)** into a joint **(5)** on an enclosure tube. Secure with a screw **(16)**. **Note: Do not attach the other side of the rail (2). You will secure in a later step.**

Repeat step 15 and 16 to attach the remaining four rails. Remember to attach only one side.

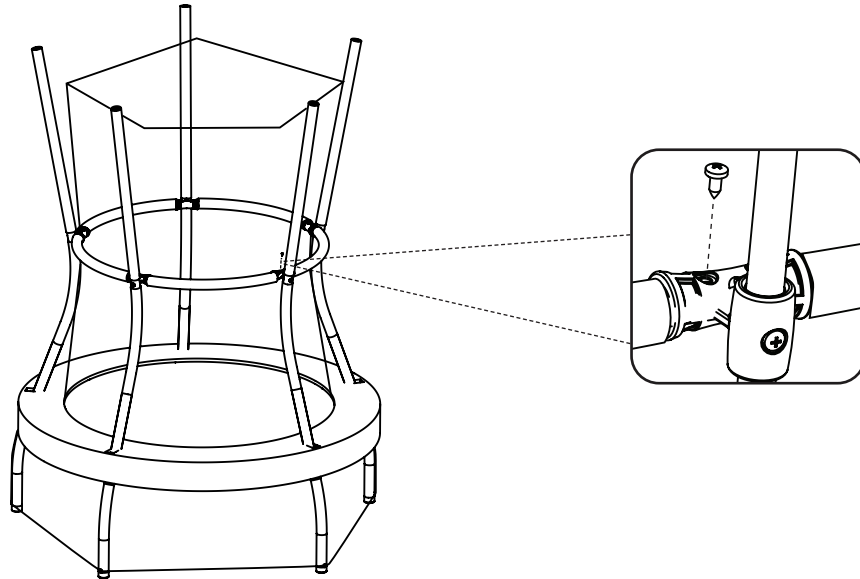


STEP 17



16 Self-tapping Screw (x5)

Now insert the other end of each rail (2) into the joints (5). Secure with the screws (16).



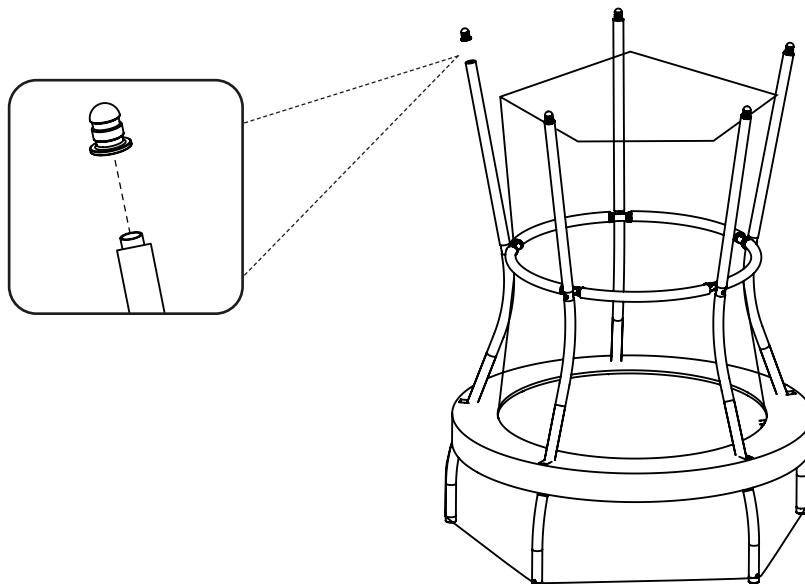
STEP 18



14 Pole Cap (x5)

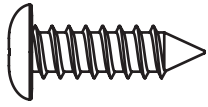
Now place pole caps (14) on top of the enclosure tubes.

Make sure the pole caps are pushed all the way down!



ASSEMBLY

STEP 19

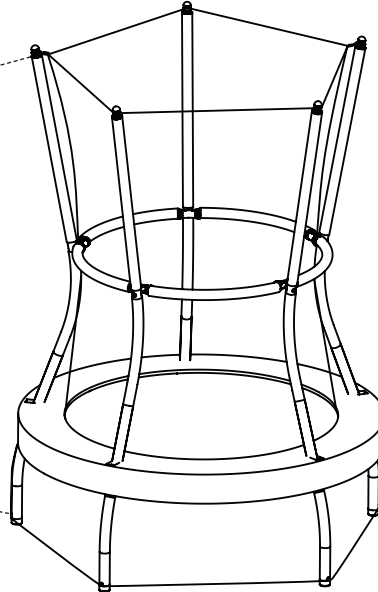
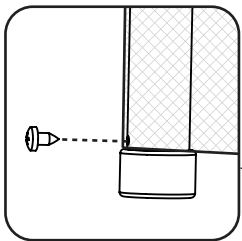
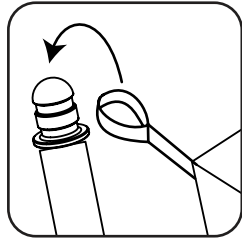


16 Self-tapping Screw (x5)

Place the straps that are at the top of the enclosure net over the pole caps **(14)**.

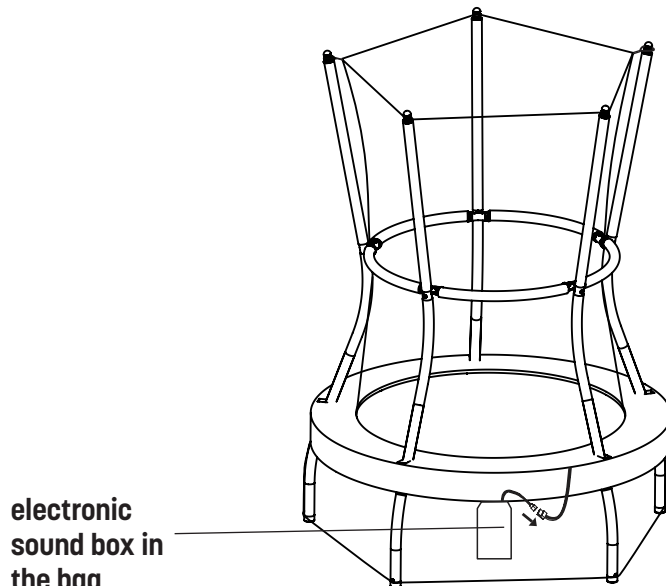
Then insert self-tapping screws **(16)** into the holes at the bottom of the legs. Tighten to secure in place.

Note: The self tapping screws can be difficult to screw in as the holes are not prethreaded. Your included tool or a screw driver will work, but a power drill can makes things a little easier.



STEP 20

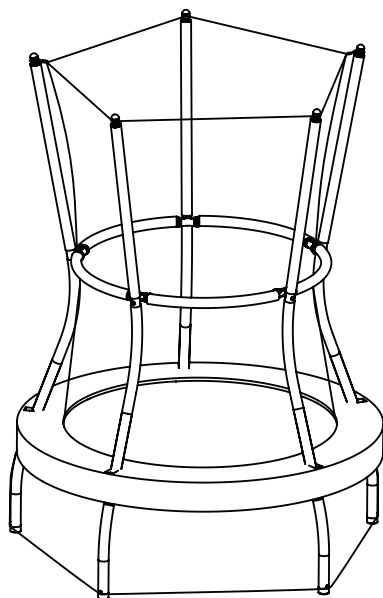
If your trampoline has sound, look underneath the trampoline to attach the electric sound box to the frame with the strap sewn on the bag. Attach it near the sound wire found underneath the jump mat. Then connect the wire from the electric sound box to the wire under the mat as shown.



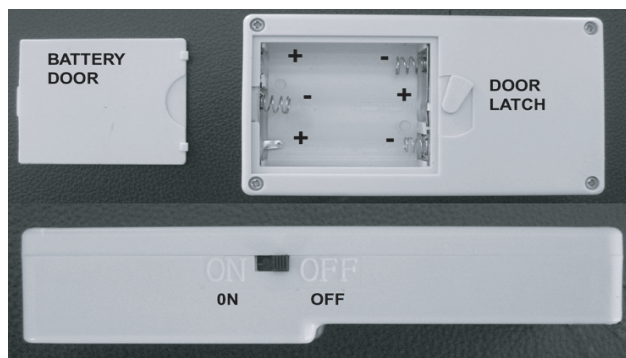
electronic sound box in the bag

STEP 21

Congratulations on completing your new Mini Trampoline! (See, we knew you could do it!). If you love the product, we want to from hear you! Please leave us a review on the retailer's site you purchased this product from, on our Facebook page, or on any other review site. We'd really appreciate it. If we could, we'd give you a gold star. Are you frustrated or have some suggestions? Contact us directly. We promise we're not trying to ruin your life. We will do everything we can to make it right. See contact info on page 2-3.



ELECTRONIC CONSOLE OPERATION



1. Place 3AA batteries inside the battery compartment with the polarity as shown.
2. Close and lock the battery door.
3. The console can be turned on or off with the power switch on the side of the console.

NOTE: If the unit is not producing a sound first check the on/off switch.
Next ensure the batteries are fresh.
Test the function of the sound activation pad with your hand to produce a sound.
Do not mix old and new batteries.
Do not mix alkaline ,standard (carbon-zinc) or rechargeable batteries.

MAINTENANCE & CARE INFORMATION

Congratulations and high five on successfully assembling your new Skywalker Trampolines Mini Trampoline! Now, the best way to keep your new trampoline in tip-top shape is to check periodically for:

- Missing, improperly positioned, or insecurely attached frame padding, netting, enclosure tubes, or foam sleeves
- Punctures, frays, tears, or holes worn in the mat, frame padding, netting or foam sleeves
- Deterioration in the stitching or fabric of the mat, frame padding or netting
- Ruptured or missing stretch bands
- Bent or broken frame, leg or enclosure tubes
- Sagging bed or netting
- Sharp protrusions on the frame, suspension system or enclosure tubes

If you notice any of the above conditions, please disassemble the enclosure and trampoline until you have ordered new parts.

Don't forget to check us out online! **We'd love to hear from you.**



@skywalkertrampolines



skywalkertrampolines



@skywalker_trampolines



@swtrampolines



@swtrampolines



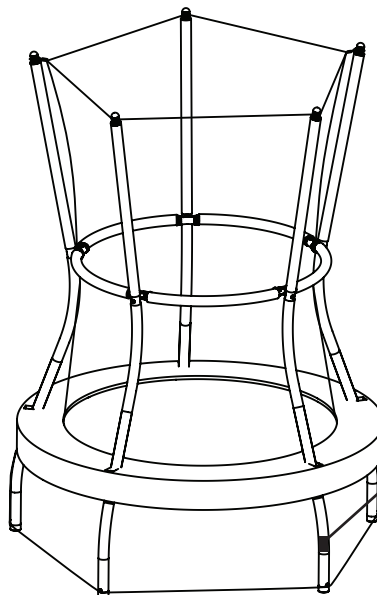
www.skywalkertrampolines.com

WARNING LABEL PLACEMENT

The placard shown above was sewn to the trampoline enclosure netting.

Note: The labels and placard shown are not actual size.

The labels shown on this page have been attached to the trampoline in the indicated locations. The safety instructions placard will need to be attached by the owner. If one of the labels or the placard is missing or illegible, call our Customer Care Hot Line toll-free at 1-866-603-JUMP (5867), Monday through Thursday, 8 a.m. until 5 p.m., Friday 8 a.m. to 3 p.m. Mountain Time, to order a free replacement label or placard.



! WARNING

- Do not use without frame pads.
- Do not attempt or allow somersaults. Landing on the head or neck can cause serious injury, paralysis, or death, even when landing in the middle of the bed.
- Inspect the trampoline and parts before use. Replace any worn or damaged parts.
- One person on the trampoline at a time. Use by more than one person at the same time increases the chances of injury.
- Use trampoline only with mature, knowledgeable supervision.

INSTRUCTIONS FOR USE

To reduce the risk of serious injury, read and follow all of the warnings, precautions, and instructions in this manual before you use the trampoline enclosure. Warnings and instructions for care, maintenance, and use of this trampoline and enclosure are included to promote safe enjoyable use of this equipment.

1. It is the responsibility of the owner and supervisors of the trampoline and enclosure to make sure all users obey the safety instructions given in this manual. The trampoline should only be used with mature, knowledgeable supervision.
2. Secure the trampoline and trampoline enclosure against unauthorized and unsupervised use. If you use a ladder to get on and off the trampoline, be sure to remove it when the trampoline and enclosure are not being used.
3. Be sure there is enough clear space above the trampoline and enclosure before use. It is best to have at least 24 feet (7.3 meters) of clear space above the ground. This space must be clear of wires, tree limbs, and any other possible hazards.
4. Lateral (sideways) clearance is very important. Do not place the trampoline and enclosure near walls, buildings, fences, sidewalks, and other play areas. Always keep a clear space on all sides of the trampoline and enclosure.
5. Remove any objects that could interfere with the performer. Maintain a clear area around and under the trampoline.
6. Be sure the trampoline and enclosure are on a level surface before use.
7. Always inspect the trampoline and enclosure before each use. Make sure that the frame, padding, netting, enclosure tubes, and foam sleeves are correctly and securely positioned. Replace any worn, defective, or missing parts. (Jumpers may be hurt if the trampoline and enclosure are used when they are in poor condition.)
8. Bounce only when the surface of the mat (bed) is dry. There should be very little or no wind or air movement. The trampoline and enclosure must not be used in gusty or severe winds.
9. The trampoline and enclosure frames are made of metal. They are not grounded and will conduct electricity. For this reason, an electrocution hazard exists. No lights, electric heaters, extension cords, or household electrical appliances are to be permitted on the trampoline or in enclosure at any time.
10. Use the trampoline and enclosure in an area with lots of light. If the trampoline and enclosure are indoors or in shady areas, you may need to use artificial (electrical) lighting in the area.
11. During the winter months, the trampoline soft materials will need to be removed and stored in a dry place. If left up in the winter months, it may cause damage to the springs, jump mat, spring pad, and enclosure. The warranty will be void.
12. This trampoline and enclosure is made for users who weigh less than 100 lbs.
13. This Trampoline is designed for 3-7 years of age
14. The trampoline enclosure is to be used only with the size of trampoline for which the enclosure is designed.
15. Misuse and abuse of the trampoline enclosure is dangerous and can cause serious injury.
16. Do not attach anything to the enclosure barrier that is not a manufacturer-approved accessory or part of the enclosure system.
17. Please remove any jewelry before jumping begins. Jewelry may get caught in the enclosure netting.
18. Wear clothing free of drawstrings, hooks, loops, or anything that could be caught while using the trampoline/enclosure and result in entanglement, strangulation, or both.
19. Do not let more than one person inside the trampoline enclosure at the same time. Two or more people jumping at the same time can cause serious injury.
20. Do not jump on the trampoline while you have or are holding any objects, especially something sharp or breakable.
21. Do not use the trampoline and enclosure if you have been using alcohol or drugs.
22. Do not attempt or allow somersaults (flips) on the trampoline. Landing on the head or neck can cause serious injury, paralysis, or death, even when landing in the middle of the jumping mat.
23. Always climb on to and off of the trampoline. It is a dangerous practice to jump from the trampoline to the floor or ground when dismounting, or to jump onto the trampoline when mounting.
24. Do not use the trampoline as a springboard to other objects. Enter and exit the enclosure only at the enclosure door or barrier made for that purpose.
25. Do not attempt to crawl under, jump over, intentionally bounce off of, hang from, climb on, kick, or cut the barrier netting.
26. While keeping head erect, focus eyes on the trampoline toward the perimeter. This will help control bounce.
27. Stop bouncing by flexing knees as feet come in contact with the trampoline bed. Learn this skill before attempting others.
28. Avoid bouncing too high. Stay low until bounce control and repeated landings in the center of the trampoline can be accomplished. Control is more important than height.
29. Avoid bouncing when tired. Keep turns short.
30. Learn fundamental bounces and body positions thoroughly before trying more advanced skills. A variety of trampoline activities can be carried out performing the basic fundamentals in various series and combinations, performing one fundamental after another, with feet bounces between them.
31. For additional information concerning the trampoline equipment contact the manufacturer. For information concerning skill training, contact a certified trampoline instructor.
32. Do not use or stand near the trampoline in windy or gusty conditions. A trampoline can become airborne when exposed to sustained wind or gusting wind conditions. This can result in serious injury, paralysis, or death, as well as property damage. To reduce these risks, disassemble the trampoline and enclosure and store them until weather conditions improve. Anchoring a trampoline frame may prevent the trampoline from moving as a result of the wind, but even anchored trampolines can become airborne or damaged. Consult a qualified contractor to determine what type of anchor works best in your location.

METHODS OF ACCIDENT PREVENTION

THE SUPERVISOR'S ROLE IN PREVENTING ACCIDENTS

It is the responsibility of the supervisors of trampoline users to provide knowledgeable and mature supervision. They need to know and enforce all of the rules and warnings printed in this manual to minimize the likelihood of accidents and injuries. They also need to inform users of these rules. During periods of time when supervision is unavailable or inadequate, this may require that the trampoline is taken down, placed in a secure area, or otherwise secured against unauthorized use. Another option that may be considered is covering the trampoline with a heavy tarp that can be secured with locks and chains. It is the responsibility of the supervisor to make sure that the placard with trampoline safety instructions is kept posted on the trampoline and that jumpers are informed about these instructions.

THE JUMPER'S ROLE IN PREVENTING ACCIDENTS

Education on the part of the user is a must for safety. Users must first learn a low, controlled bounce and then learn the basic landing positions and combinations before proceeding to intermediate skills. Jumpers must understand why they have to master "control" before they can start thinking about other moves. Understanding the proper progression of skills in jumping on a trampoline must be the first lesson. Review this manual to learn about the basic techniques for using the trampoline. For further information or additional instructional materials, contact a certified trampoline instructor.

TRAMPOLINE SAFETY INSTRUCTIONS

For the Supervisor

Read the instructions before using the trampoline. Enforce all of the safety rules. Become familiar with the information in this manual so you can help new users learn basic jumps and all users follow trampoline safety. All trampoline users must have mature, knowledgeable supervision, regardless of their skill or age. This trampoline is not recommended for use by children under 6 years of age. Inspect the trampoline before using it. Do not use the trampoline without the frame pad securely in place to cover the frame. Do not use the trampoline in wet or windy conditions. A worn or damaged mat, spring, or frame piece should be replaced immediately.

Jumping

Learn fundamental jumps and body positions thoroughly before trying more advanced skills. Know your own limits in performing each of the trampoline jumps. Study this manual to learn how to do basic jumps. Stop your bounce by flexing your knees as your feet come in contact with the trampoline mat. Learn this skill before attempting any others.

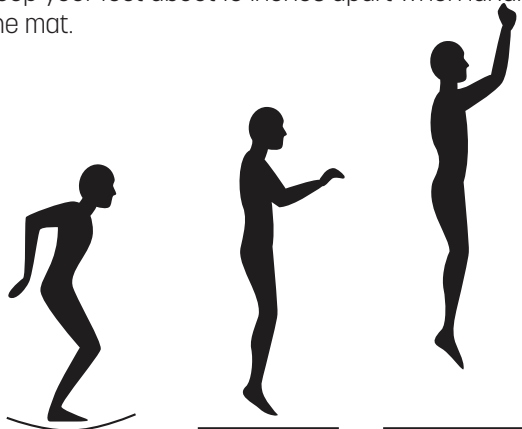
INSTRUCTIONS & MODEL LESSONS

The following lessons are examples of an instructional program. They should follow a complete discussion and demonstration of body mechanics between the supervision and the student(s).

1. Fundamental bounce: Demonstration and practice.
2. Knee Drop: Demonstration and practice.
3. Hand and Knee Drop: Demonstration and practice, stressing four-point landing and alignment.
4. Back Drop: Demonstration and practice.
5. Seat Drop: Demonstration and practice.
6. Front Drop: Demonstration and practice.
7. Half Turntable: Demonstration and practice.
8. Swivel Hips: Demonstration and practice.
9. Mounting and dismounting: Demonstration and practice of proper techniques.
10. Breaking: Demonstration and practice. Breaking on command.

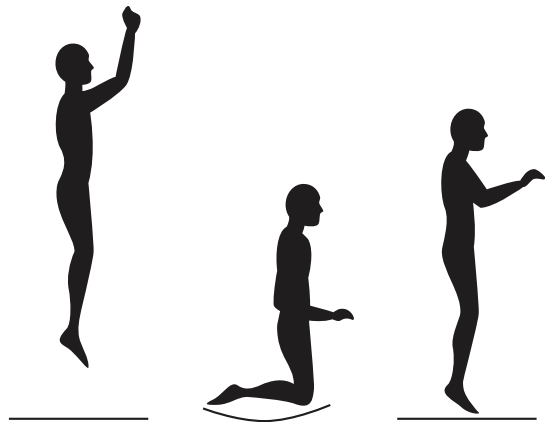
Lesson 1: Fundamental Bounce

1. Start from a standing position with your head erect and your eyes on the frame pad.
2. Swing your arms forward and up in a circular motion.
3. Bring your feet together and point your toes downward while in the air.
4. Keep your feet about 15 inches apart when landing on the mat.



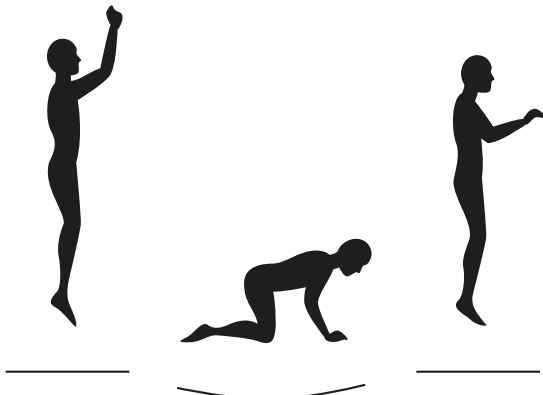
Lesson 2: Knee Drop

1. Start bouncing from a standing position, keeping your eyes on the frame pad.
2. Land on your knees, keeping your back straight and your body erect.
3. Come back up to an erect position.



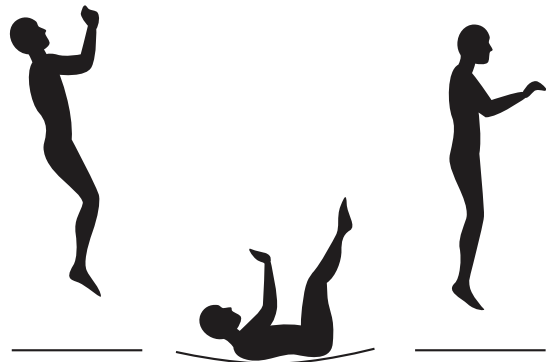
Lesson 3: Hand and Knee Drop

1. Start bouncing from a standing position, keeping your eyes on the frame pad.
2. Land on the mat on your hands and knees.
3. Push with your hands and come back up to an erect position.



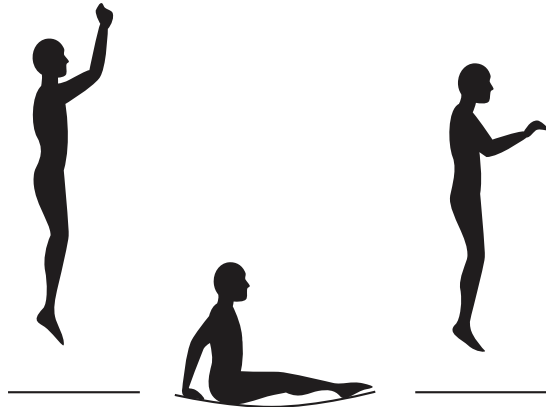
Lesson 4: Back Drop

1. Start from a low bounce and land on your back.
2. Keep your chin forward on your chest as you land.
3. Kick forward and up with your legs to return to an erect position.



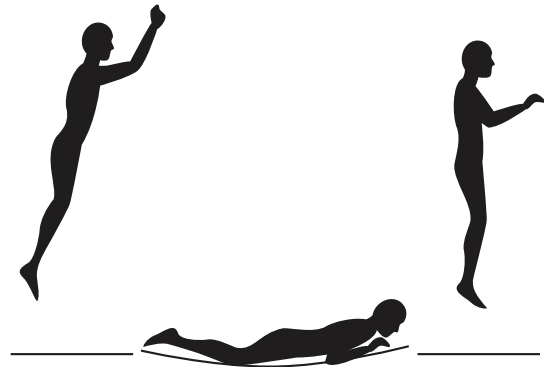
Lesson 5: Seat Drop

1. Land in a sitting position with your legs parallel to the mat.
2. Place your hands on the mat beside your hips.
3. Push with your hands to return to an erect position.



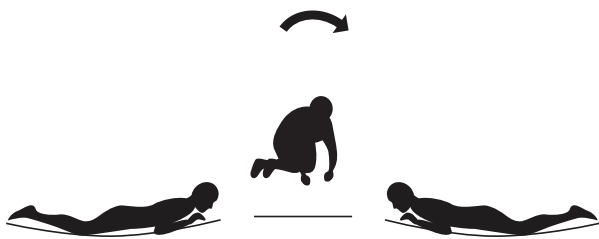
Lesson 6: Front Drop

1. Start from a low bounce and land on the mat in a prone position.
2. Keep your head up and your arms extended forward on the mat.
3. Push with your arms to return to an erect position.



Lesson 7: Half Turntable

1. Start from the front drop position and push to the left or right with your arms turning your body in the opposite direction.
2. Turn your head and shoulders toward the direction that your body is turning.
3. Keep your back parallel to the mat and your head up.
4. After completing a half turn, land in the front drop position.



Lesson 8: Swivel Hips

1. Start with a seat drop.
2. Turn your head to the left or right and swing your arms up in the same direction.
3. Turn your hips in the same direction as your head and arms, completing a twist.
4. Land in the seat drop position.
5. Keep your legs parallel to the mat and your head up.
6. After completing a half turn, land in the front drop position.



Lesson 9: Mounting and Dismounting

1. Users should climb onto the trampoline by placing their hands on the frame and stepping or rolling up onto the frame, across the springs and onto the mat.
2. To dismount, jumpers should walk to the side of the mat, bend over and place their hands on the frame, then step from the mat to the ground.



Lesson 10: Breaking

1. Starting from a standing position, jump into the air.
2. As you land on the mat, bend your knees sharply to stop the jump.



Once each of these lessons are learned, the student should now be encouraged to design and organize routines, with emphasis on good form. The instructor may judge or grade students and arrange groupings for further instruction accordingly.

To stimulate interest in competition, the game of "Trampoline Horse" can be introduced. Before the game begins, students must count off. To start the game, student number 1 performs a stunt then dismounts. Student number 2 then mounts the trampoline, performs the same stunt and adds a second stunt, then dismounts. Student number 3 mounts and performs stunts 1 and 2 and adds a third stunt, then dismounts. Thus the series of stunts is continuously lengthened. The first person to miss a stunt in the series assumes the letter "H" and starts a new series with a stunt. If a person misses again, he assumes the letter "O." When a person accumulates "H-O-R-S-E," he or she is eliminated from the game. The last remaining contestant is the winner. Lesson planning from this point on should be facilitated by contacting a certified trampoline instructor.

TRAMPOLINE SAFETY INFORMATION

In trampoline use, as in all active recreational sports, participants can be injured. However, there are steps that can be taken to reduce risk of injury. In this section, primary accident patterns are identified and the responsibilities of supervisors and jumpers in accident prevention are described.

ACCIDENT CLASSIFICATION

Somersaults (flips): Landing on your head or neck, even in the middle of the trampoline mat, increases the risk of a broken back or neck, which can result in paralysis or death. Such events can occur when a jumper makes an error trying to perform a forward or backward somersault (flip). Do not perform somersaults(flips) on this backyard trampoline.

Multiple Jumpers: More than one jumper at a time on the trampoline increases the chance of a jumper becoming injured by losing control of his or her jump. Jumpers may collide with one another, fall off of the trampoline, fall onto or through the springs, or land incorrectly on the mat. The jumper weighing the least is the jumper most likely to be injured.

Mounting and Dismounting (Getting on and off): The trampoline mat is several feet above ground level. Jumping from the trampoline to the ground or any other surface may result in injury. Jumping onto the trampoline from a roof, deck, or other objects also presents a risk of injury. Smaller children may need assistance getting onto or down from the trampoline. Climb carefully onto and off of the trampoline. Do not step onto the springs or the frame pad. Do not grasp the frame pad to pull yourself onto the trampoline.

Striking the Frame or the Stretch Bands: Injury may result from hitting the frame or falling through the springs while jumping or getting onto or off of the trampoline. Stay in the center of the mat when jumping. Be sure to keep the frame pad in place to cover the frame. The frame pad is not made or intended to support the weight of trampoline user. Do not step or jump directly on the frame pad.

Loss of Control: Jumpers who lose control of their jumps may land on the mat incorrectly, land on the frame or springs, or fall off of the trampoline. A controlled jump is one where the landing is in the same spot as the takeoff. Before learning a more difficult stunt, you should be able to do one over and over with control. Attempting a stunt beyond present skill levels increases the chance of loss of control. To regain control and stop your jump bend your knees sharply when you land.

Alcohol or Drug Use: The chance of injury increases when a jumper has consumed alcohol or taken drugs. These substances impair a person's reaction time, judgment, and physical coordination.

Encountering Objects: Jumping on a trampoline while other people, pets, or objects are underneath it will increase the chance of getting hurt. Jumping while holding or having an object on the trampoline, particularly one that is sharp or breakable, will increase the chance of injury. Placing a trampoline too close to overhead electrical wires, tree limbs, or other objects can increase the chance of injury.

Poor Maintenance of The Trampoline: Jumpers may be injured if a trampoline is in poor condition. A torn mat, bent frame, broken spring, or missing frame pad, for example, should be replaced before anyone is allowed to jump. Inspect the trampoline before each use.

Access: To prevent access to the trampoline by unsupervised smaller children, the optional access ladder should always be taken away and stored in a safe place when the trampoline is not in use.

ENCLOSURE SAFETY INFORMATION

NEED FOR TRAMPOLINE ENCLOSURE SAFETY

A trampoline enclosure is a recreational product. The information on this page identifies important safety precautions. The precautions are not all-inclusive, because an enclosure can be used in ways that this manual cannot cover completely.

To prevent pinches and cuts during enclosure use, a frame pad must be installed on the trampoline (see the trampoline manufacturer's instructions). The frame pad must be placed on the trampoline before the enclosure is erected. The frame pad reduces the chance of injury from accidental contact with the springs and frame.

USING THE ENCLOSURE SAFELY

Adult Supervision of Children

Children using a trampoline with a trampoline enclosure must be supervised by adults. Young children must be supervised constantly. Adults must pay particular attention to:

- Things that children bring into the enclosure
- Children's activities inside the enclosure
- Conditions inside the enclosure while children are using it
- The way children enter and exit the enclosure

Additional details of safety enclosure use are described below:

Electrocution Hazard Associated with the Metal Frame of the Trampoline and Enclosure

The trampoline and enclosure frames are made of galvanized steel. They are not grounded and will conduct electricity. For this reason, an electrocution hazard exists. No lights, electric heaters, extension cords, or household electrical appliances are to be permitted on the trampoline or in the enclosure at any time.

Hazards Associated with Entering and Exiting the Trampoline Enclosure

A trampoline enclosure installed on a trampoline is raised off the ground. The height of the enclosure increases the risk of a fall when a jumper is entering or leaving the enclosure. Young children especially may have difficulty entering and exiting the enclosure. To reduce the risk of falling, always help young children to get into and out of the enclosure.

Enter and exit the trampoline enclosure only through the door of the enclosure (the opening in the netting walls). The trampoline mat (bed) and the netting walls of the enclosure are separate pieces. No jumper, especially young children, should ever leave the enclosure by going out between the mat and the netting walls. Trying to get out this way creates a risk of choking from being caught between the trampoline frame and the netting walls.

Darkness increases the chances of a fall when a jumper is entering or leaving the enclosure. Do not use the trampoline unless there is plenty of lighting provided.

Hazards Associated with Animals, Sharp or Breakable Objects

To avoid damage to the trampoline enclosure and the trampoline, do not allow pets or other animals inside of the enclosure. The claws and teeth of animals can damage the netting. Do not jump on the trampoline while holding or wearing a sharp or breakable object.

LIMITED WARRANTY

Skywalker Holdings, LLC warrants its products to be free from defects in material and workmanship under normal use and service conditions. **The steel frame is warranted for three (3) years after the date of purchase. All other parts are warranted for one (1) year after the date of purchase.** Warranty coverage extends only to the original retail purchaser from the date of original purchase. This warranty is only valid concerning products used for residential use. Products used for commercial use, such as schools and daycares, will not be covered.

WHAT IS NOT COVERED?



Weather Damage: The warranty does not cover damage due to the effects or acts of nature, such as earthquakes, wind, hurricanes, tornadoes, lightning, rain, fire, snow, excessive heat and cold conditions and/or sun damage. During the winter months the trampoline soft materials will need to be removed and stored in a dry place out of the snow. If left unprotected in the winter months, some components such as springs, jump mat, spring pad and enclosure, may become damaged, voiding this warranty.



Fading and Rust: Our products are fully galvanized. Skywalker does not warranty against rust or corrosion. Some areas may have higher air salt content, higher humidity, heavier rain and heavier snow. Skywalker does not warranty against fading. We suggest customers use a UV protectant on the frame pad to extend the life of the product.



Loss or Damage to Product: Loss or damage caused by shipping, abuse, misuse, improper/abnormal usage or unauthorized repairs are not covered by this warranty and may also void the warranty.



Unauthorized Replacement Parts: The warranty will become void if any defects or damages are associated with the use of unauthorized replacement parts. All replacement parts must be obtained from an authorized agent.



Assembly Service: The warranty does not cover acts or omissions provided by a third-party assembly service. It is the customer's responsibility to check all boxes and confirm all components are included and in their proper condition before installation occurs.

INSPECTION AND REPLACEMENT PARTS:

1. Your trampoline should be inspected upon unpacking and set up and thereafter on a regular basis. Worn, damaged or broken parts should be replaced immediately and before use.
2. Call the Skywalker Trampoline Customer Service Department at 1-866-603-5867 to file a warranty claim. Be prepared to provide the following information: name, shipping address, a copy of your original sales receipt, a brief description of the problem and cause, trampoline model number and serial number. We may also ask for photos of the damaged/defective parts.
3. Customer service will review your claim and contact you with further instruction.

NOTE: All requested information must be provided in order to review your warranty claim.

To order replacement parts for your product please visit www.skywalkertrampolines.com

Skywalker Holdings, LLC, PO Box 574, Brigham City, UT 84302 USA.

Printed in China © 2021 Skywalker Holdings, LLC

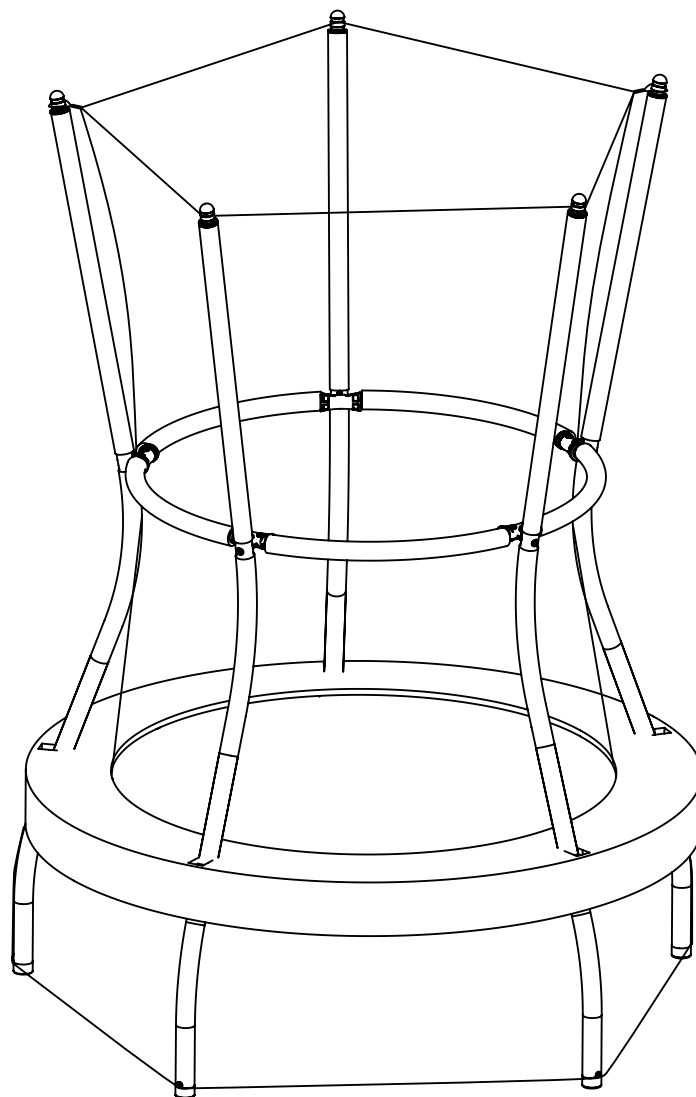
NOTE: Skywalker Holdings, LLC is not responsible or liable for indirect, special or consequential damages arising out of or in connection with the use or performance of the product or other damages with respect to any economical loss, loss of property, loss of revenue or profits, loss of enjoyment or use, cost of removal, installation or other consequential damages. Some states do not allow the exclusion or limitation of incidental or consequential damages. Accordingly, the above limitation may not apply to you.

The warranty extended hereunder is in lieu of all other warranties and any implied warranty of merchantability or fitness for a particular purpose is limited in its scope and duration to the terms set forth herein. Some states or countries do not allow limitations and how long an implied warranty lasts. Accordingly, the above limitations may not apply to you. This warranty gives you specific legal rights. You may also have other rights which vary state to state or country to country. This warranty is valid only in the country the product was purchased.

This warranty is valid only in the country the product was purchased.

ASSEMBLAGE, ENTRETIEN ET **MANUEL DE L'UTILISATEUR**

MINI TRAMPOLINE DE 1 M (40 PO)



AVERTISSEMENT

Veillez lire toutes les précautions et les instructions de ce manuel avant d'utiliser cet équipement. Conservez ce manuel pour référence ultérieure.
Poids maximal de l'utilisateur 45,4 kg (100 lb).

SKYWALKER

TRAMPOLINES
Skywalker Holdings LLC
P.O. Box 574 Brigham City, UT 84302

TABLE DES MATIÈRES

Liste des pièces.....	3
Identification des pièces.....	4-5
Dessin éclaté.....	6
Assemblage.....	7-17
Information sur l'entretien et la maintenance.....	18
Emplacement de l'étiquette d'avertissement.....	18
Instructions d'utilisation.....	19
Méthodes pour la prévention d'accident.....	20
Instructions et leçons sur le modèle.....	21-23
Information de sécurité pour la trampoline.....	24
Information de sécurité pour l'enceinte.....	25
Garantie limitée.....	26



ARRÊTEZ TOUT CE QUE VOUS FAITES ET ENREGISTREZ VOTRE MINI TRAMPOLINE

Vous pouvez enregistrer votre garantie en ligne à l'adresse : www.skywalkertrampolines.com/registration/

Vous devrez avoir l'information suivante sous la main :

- Nom
- Adresse
- Numéro de téléphone
- Date d'achat
- Adresse de courrier électronique
- Numéro de modèle de la trampoline
- Numéro de série de la trampoline
- Nom du détaillant duquel vous avez acheté le produit



NOUS AVONS QUELQUE CHOSE DE TRÈS IMPORTANT À VOUS DIRE

Les trampolines Skywalker font partie d'une gamme de produits d'une marque qui met l'accent sur les activités à l'extérieur. Visitez-nous en ligne! Nous avons **des vidéos d'assemblage** (pour ceux qui préfèrent les vidéos aux livres), une **FAQ** (où vous découvrirez que vous n'êtes pas seul à avoir besoin d'aide), **des produits additionnels** (incluant des trampolines, des équipements de sports et de mise en forme et de jeux domestiques) et le plus important, retrouvez-nous sur les médias sociaux! Parce que nous voulons échanger avec vous. **Nous aimerions voir comment vous utilisez nos produits!**



@skywalkertrampolines



skywalkertrampolines



@skywalker_trampolines



@swtrampolines



@swtrampolines



www.skywalkertrampolines.com

- IMPORTANT**
La trampoline et l'enceinte sont sensibles aux vents. Assurez-vous de sécuriser votre trampoline et l'enceinte. Le dommage par le vent n'est pas couvert par la garantie de votre trampoline.
- AVERTISSEMENT**
RISQUE D'ÉTOUFFEMENT - Les petites pièces ne sont pas recommandées pour les enfants de moins de 3 ans.
- AVERTISSEMENT**
Assemblage requis par un adulte.

LISTE DES PIÈCES

Numéro de code	Qté	Description
1	5	Tube de l'armature
2	5	Patte
3	5	Tube de l'enceinte
4	5	Barre
5	5	Joint
6	1	Toile avec filet
7	1	Coussin avec filet
8	25	Élastique avec balle
9	5	Section supérieure de mousse 545 mm (21,5 po)
10	5	Section du milieu de mousse 302 mm (11,9 po)
11	5	Section inférieure de mousse 205 mm (8 po)
12	5	Section de mousse de barre 395 mm (15,5 po)
13	5	Manchon
14	5	Capuchon de poteau
15	5	Capuchon d'extrémité
16	27	Vis
17	1	Tournevis
#	1	Manuel de l'utilisateur
#	1	Étiquette d'avertissement

COMMANDER DES PIÈCES DE REMPLACEMENT

Nous le savons... des imprévues peuvent parfois se produire. Mais, l'amusement ne devrait pas s'arrêter simplement parce que vous avez besoin d'un nouveau boulon ou d'une vis. Pour commander des pièces de remplacement, rendez-vous sur notre site Web à l'adresse www.skywalkertrampolines.com ou appelez notre ligne sans frais d'assistance à la clientèle au **1-866-603-Jump (5867)**, du lundi au jeudi de 8 h à 17 h et le vendredi de 8 h à 15 h, heure normale des Rocheuses (à l'exception des jours fériés).

Notre équipe de service à la clientèle vous posera quelques questions de manière à pouvoir vous envoyer la pièce de remplacement le plus rapidement possible. Nous ne sommes pas là pour compliquer les choses, c'est une promesse.

Lorsque vous appelez, assurez-vous d'avoir les informations suivantes sous la main :

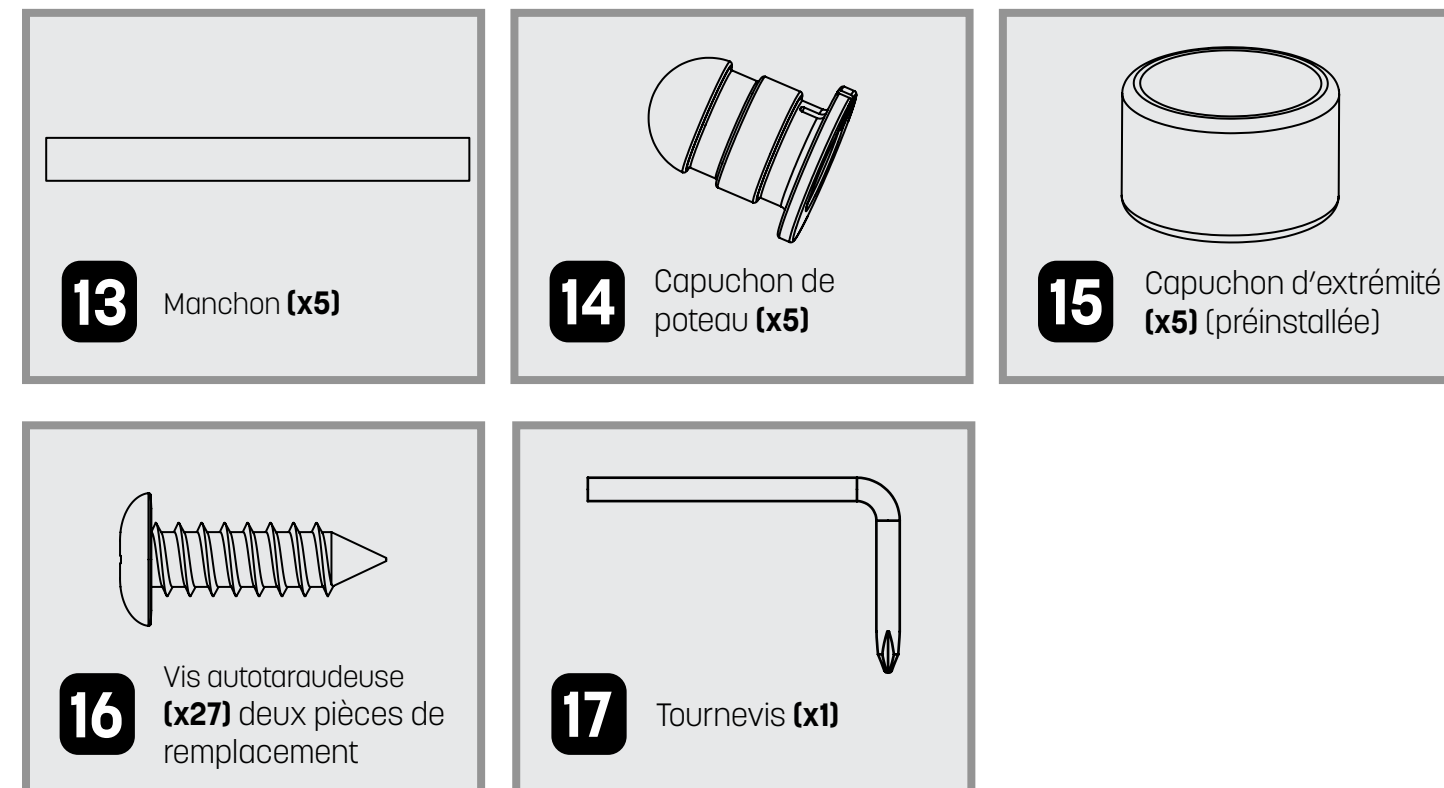
- Le numéro de modèle du produit (voir la couverture de ce manuel)
- Le numéro de pièce et sa description (voir la liste des pièces ci-dessus)
- La quantité requise (vous êtes le seul à connaître la réponse à cette question!)

AVANT DE COMMENCER

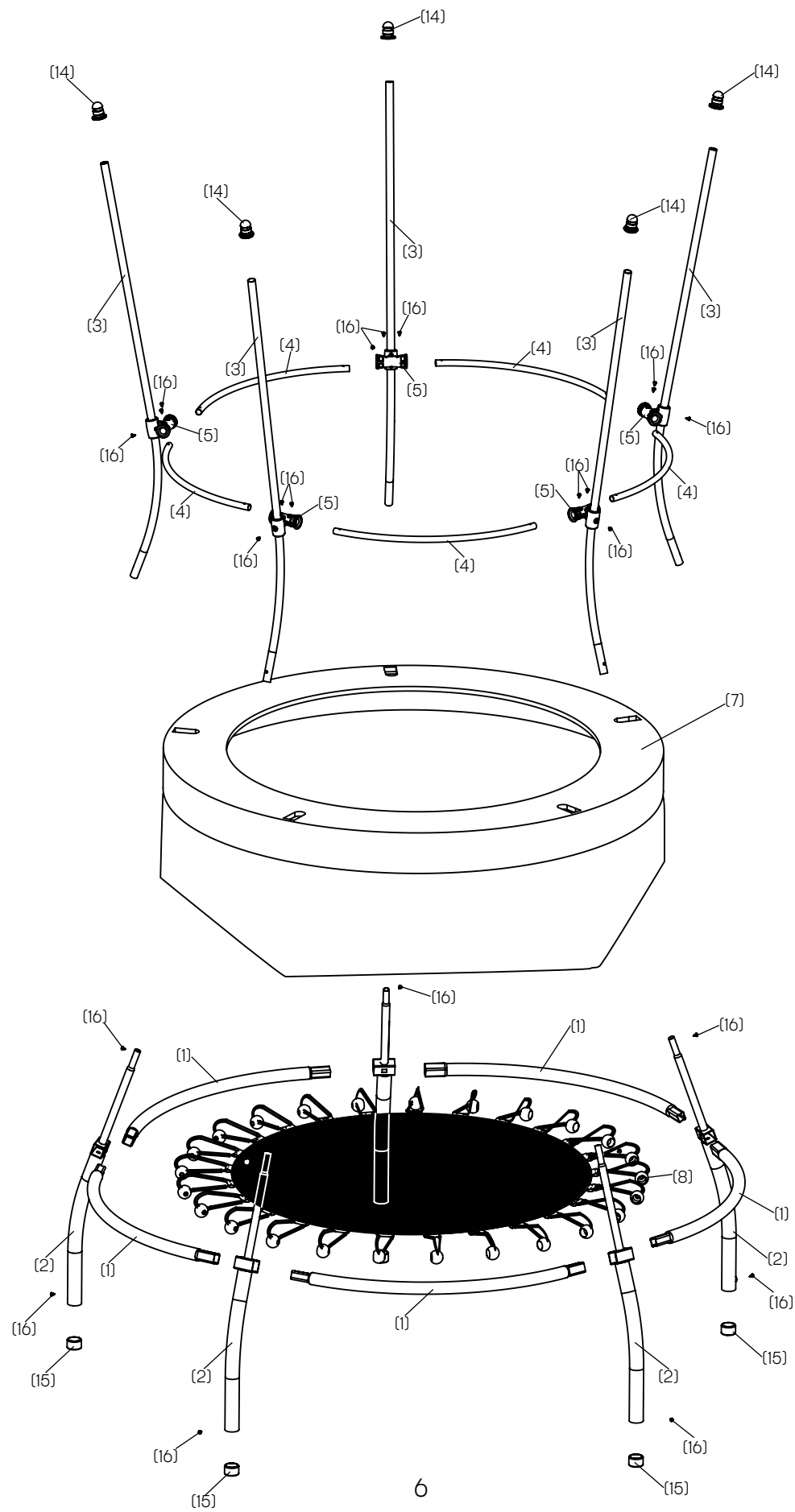
Merci d'avoir choisi Skywalker Trampolines! Nous sommes très heureux de vous aider à procurer un style de vie actif à votre famille (mais surtout un style de vie **AMUSANT**). Ce modèle est l'un de nos préférés et nous sommes certains que vous allez l'adorer. Pour vous faciliter la tâche, nous avons indiqué toutes les informations importantes que vous (et vos petits aventuriers du plein air) devez savoir. Assurez-vous de bien lire les avertissements, les instructions, la section d'assemblage et d'entretien et d'utilisation de votre nouveau produit parce qu'il y aura un questionnaire rapide à la fin! (En fait, il n'y aura pas **VRAIMENT** de questionnaire, mais comme vous continuez à lire c'est parfait! Vous faites un excellent travail!)

IDENTIFICATION DES PIÈCES

Avant de commencer, regardez les dessins ci-dessous afin de vous assurer que vous avez toutes les pièces! Les numéros dans les carrés à gauche (numéros de code) vous aideront à identifier les pièces pendant l'assemblage.



DESSIN ÉCLATÉ



ASSEMBLAGE

LISEZ CECI AVANT DE COMMENCER

- Vous devrez être au moins **deux adultes** et disposer de **2 heures de disponible** pour assembler votre trampoline (bien sûr, cela dépend du modèle que vous possédez et si vous possédez des pouvoirs de super héros)
- Nous avons fourni certains outils pour vous aider avec l'assemblage, mais vous pouvez utiliser les vôtres. Plusieurs préfèrent utiliser une **perceuse électrique** et des **gants** peuvent aussi être pratiques.
- Les étapes d'assemblage font référence aux pièces par leur description et leur numéro de légende (voir la liste des pièces à la page 3)
- Les étapes d'assemblage sont écrites dans un ordre spécifique et si vous ne les suivez pas dans cet ordre, vous pourriez devoir recommencer toutes les étapes.
- Et n'oubliez pas, bien que ce ne soit pas la chose la plus facile que vous ayez faite, sachez que c'est une tâche qui en **vaut la peine**. Faites-nous confiance

Si vous êtes une personne qui apprend vite avec des vidéos, regardez les vidéos d'assemblage! C'est génial!

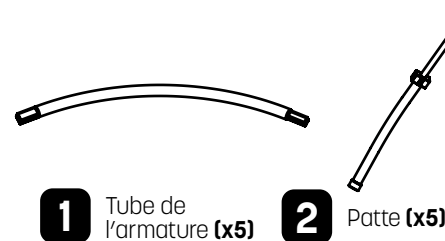


skywalkertrampolines

ÉTAPE 1

Enregistrez votre mini trampoline! Pour plus d'information sur l'enregistrement de la garantie, consultez les instructions à la page 2.

ÉTAPE 2

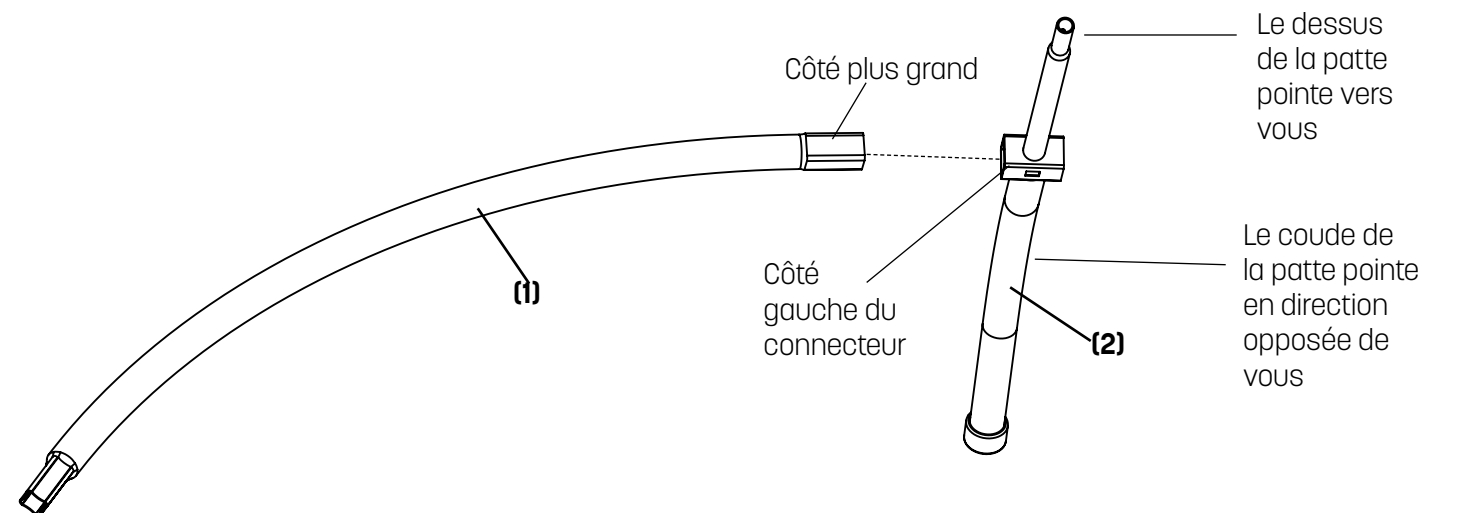


Insérez le tube de l'armature (1) dans la patte (1) comme illustré.

IMPORTANT : La façon dont ces pièces sont assemblées affecte la stabilité de l'armature. Afin d'assurer un assemblage approprié, placez (2) pattes de façon à ce que les points du dessus vers vous et au niveau du coude soient plus loin de vous comme l'image ci-dessous. Insérez la **grosse extrémité** du tube d'armature (1) dans le connecteur de patte (2) du **côté gauche**.

Regardez l'exemple ci-dessous.

Maintenant que vous êtes un pro, répétez ces étapes avec les tubes d'armatures (1) et les pattes (2).

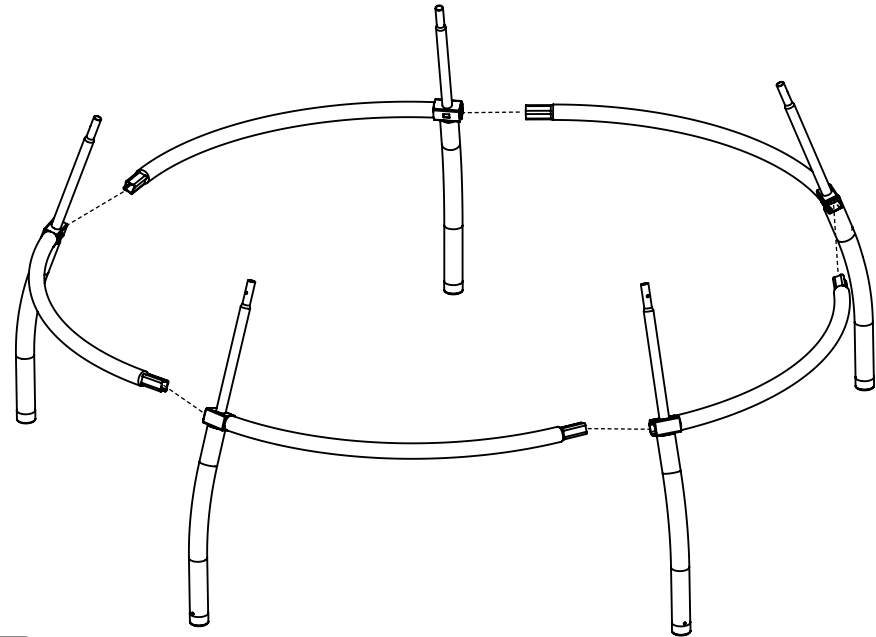


ASSEMBLAGE

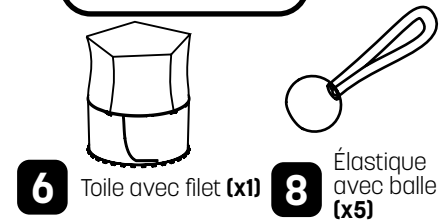
ÉTAPE 3

Raccordez ensuite tous les morceaux de l'armature ensemble.

Remarque : Si le bas des pattes est penché de manière importante vers l'intérieur et qu'elles ne sont pas à plat sur le sol et retourner à l'étape 2. Assurez-vous de faire l'assemblage avec le côté plus grand du tube de l'armature placé dans le côté gauche du connecteur de patte avec le dessus de la patte pointant vers vous et le coude en direction opposée de vous.

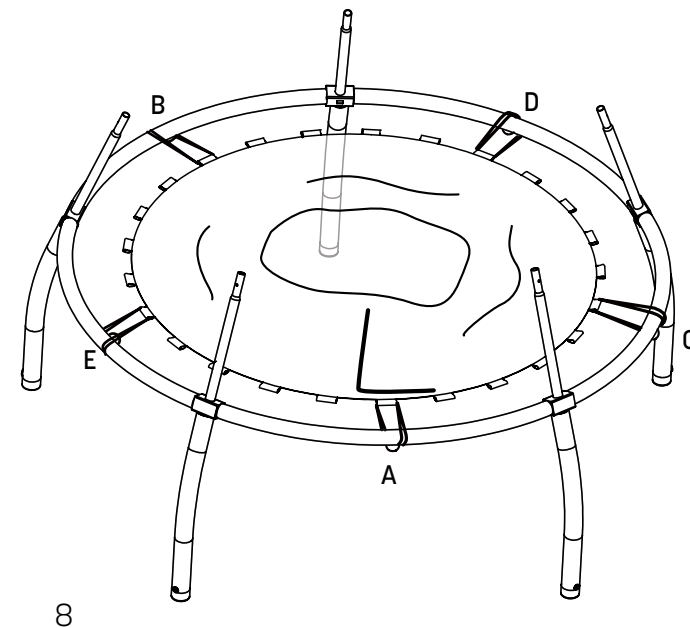


ÉTAPE 4

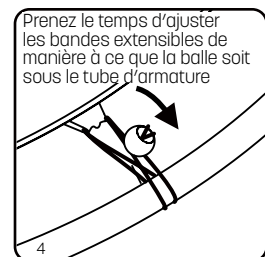
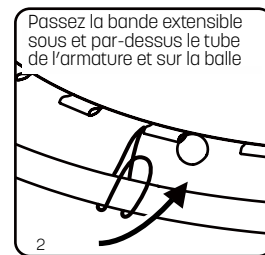
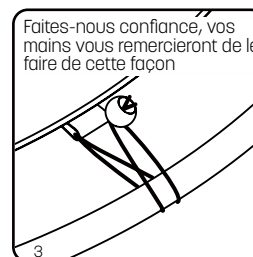


6 Toile avec filet (x1) **8** Élastique avec balle (x5)

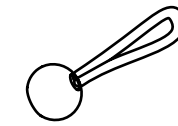
Placez la toile avec le filet (6) sur le sol à l'intérieur de l'armature. Assurez-vous que la porte est centrée entre les deux pattes. Par la suite, à l'aide d'un élastique avec boule (8) fixez la toile à l'armature à l'emplacement A. Répétez cette étape pour fixer les 4 bandes élastiques restantes aux emplacements B-C-D-E, comme illustré. Suivez les exemples ci-dessous pour trouver la façon la plus simple d'attacher les bandes extensibles. Une bande élastique devrait être centrée entre chacune des pattes.



8

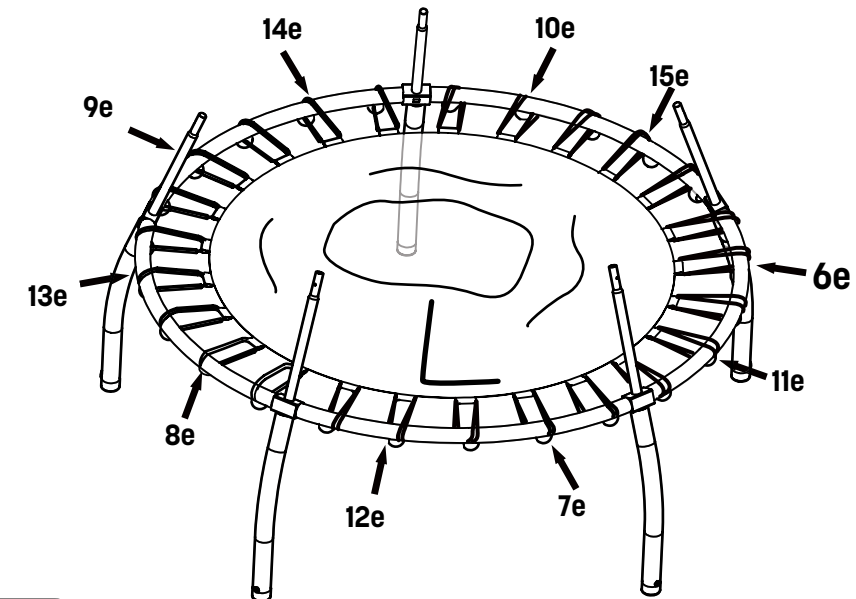


ÉTAPE 5

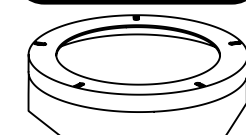


8 Élastique avec balle (x20)

En suivant le modèle d'installation ci-dessous et en commençant par la 6e bande, continuez de placer les bandes élastiques autour de l'armature dans le sens des aiguilles d'une montre jusqu'à ce que les 20 bandes soient utilisées. Ce sera plus difficile à mesure que vous arrivez à la fin de la fixation des bandes extensibles, c'est à ce moment que porter des gants sera important afin d'éviter les ampoules. Assurez-vous que les boules sur les bandes élastiques sont situées sous la trampoline! Une fois que tous les élastiques ont été placés, si la toile n'est pas au milieu de l'armature, effectuez quelques ajustements en tirant sur les bandes extensibles.

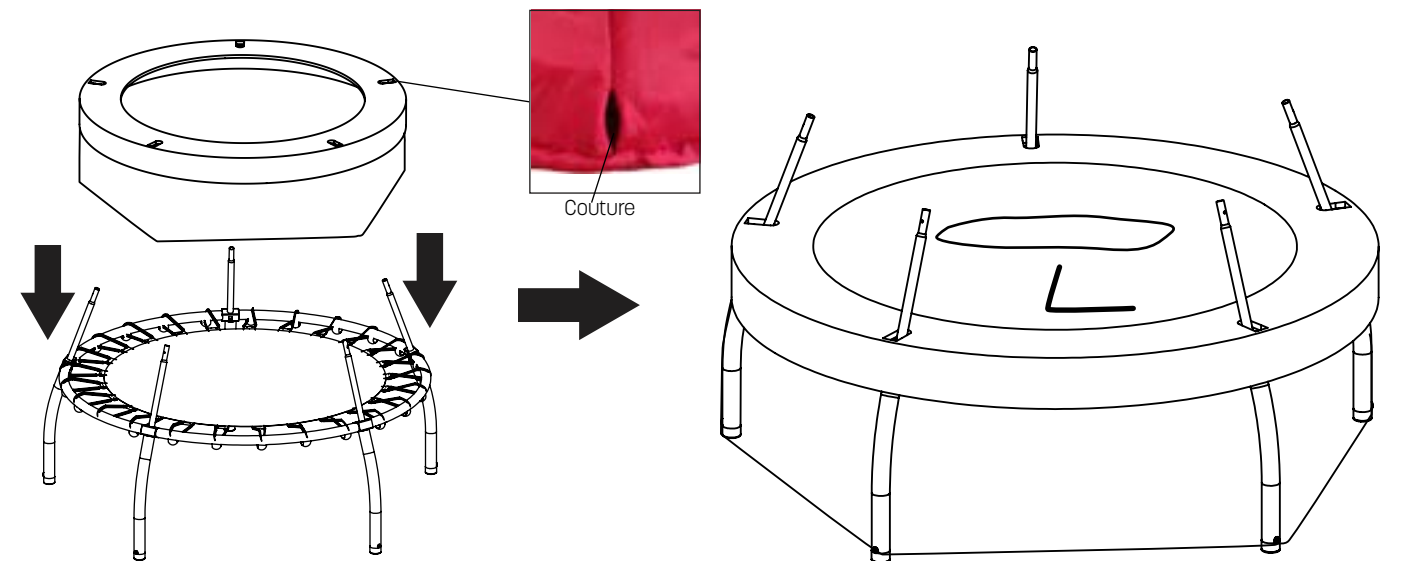


ÉTAPE 6

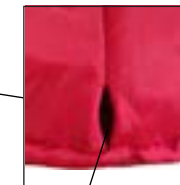


7 Coussin avec filet (x1)

Déposez le coussin avec filet (7) sur l'armature. Il y a des fentes déjà présentes sur le coussin. Ajustez la position du coussin de manière à ce que les fentes déjà présentes se retrouvent directement sur les pattes. Insérez la partie supérieure des pattes dans les fentes du coussin de protection des ressorts. Tirez doucement au niveau des coutures du coussin de protection des ressorts pour trouver les trous. Insérez la partie supérieure des pattes dans les fentes du coussin de protection des ressorts et placez le coussin sur l'armature.



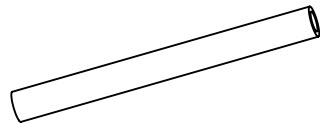
9



Couture

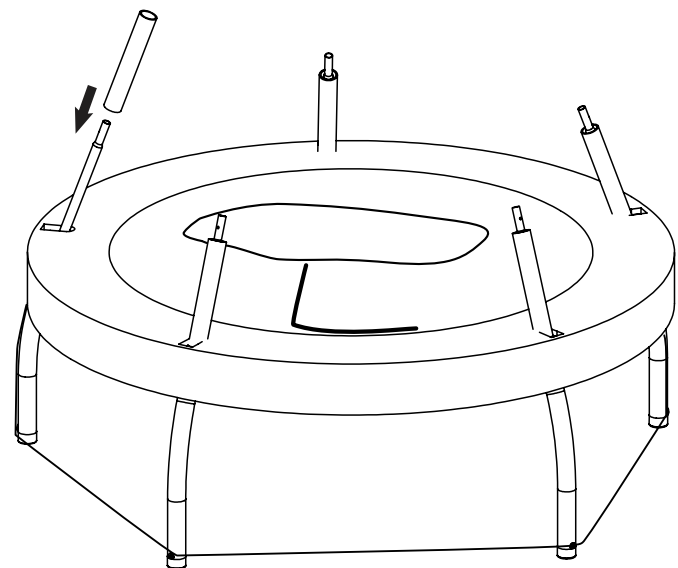
ASSEMBLAGE

ÉTAPE 7



11 Section inférieure de mousse 205 mm (8 po) (x5)

Placez la section inférieure de mousse (11) sur le tube comme illustré.



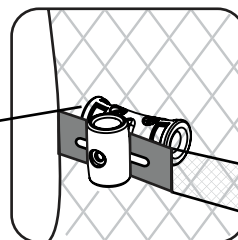
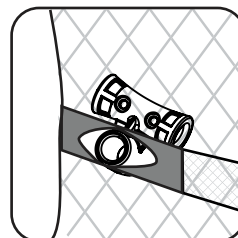
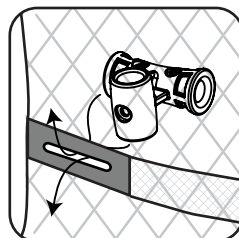
ÉTAPE 8



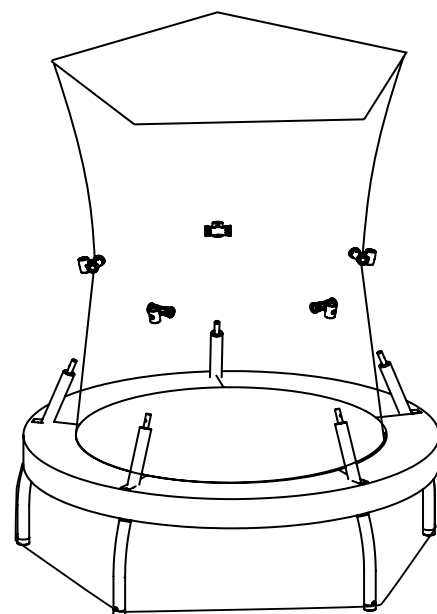
5 Joint (x5)

Dépliez le filet de l'enceinte fixé à la toile de la trampoline. Trouvez les trous déjà présents près du milieu du filet. Placez un joint (5) dans le trou à l'intérieur du filet.

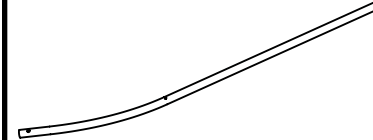
Répétez cette étape jusqu'à ce que tous les joints aient été placés à l'intérieur du filet.



Assurez-vous que les trous de jonction sont vers le haut

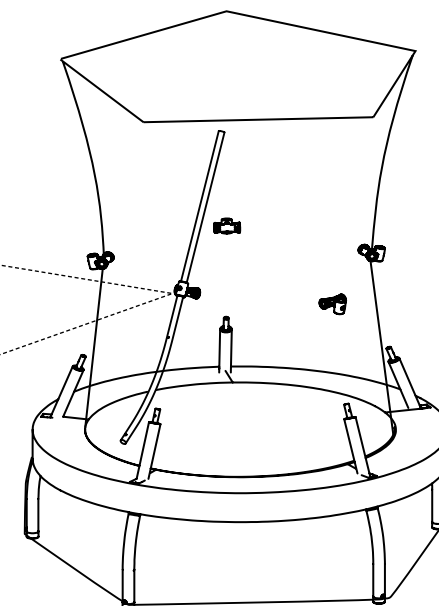
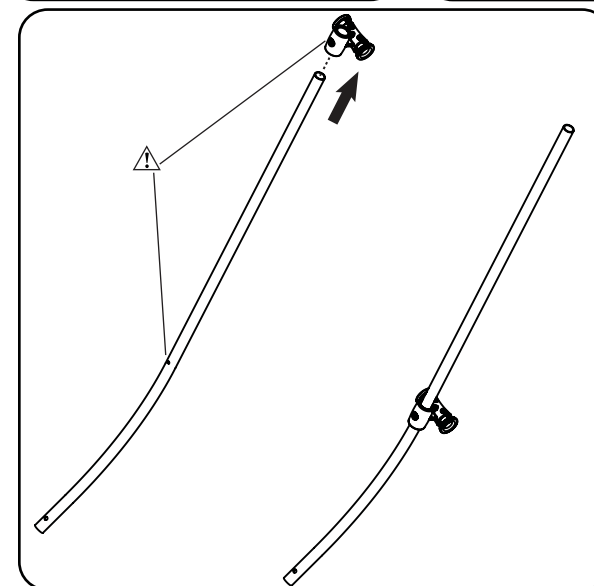


ÉTAPE 9

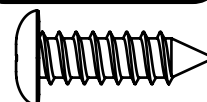


3 Tube de l'enceinte (x1)

Glissez le tube de l'enceinte (3) dans le joint (5) comme illustré. Assurez-vous que le trou du milieu dans le tube de l'enceinte s'aligne avec le trou dans le joint.



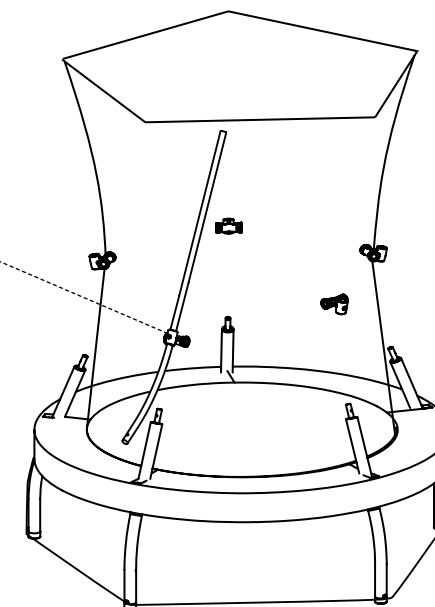
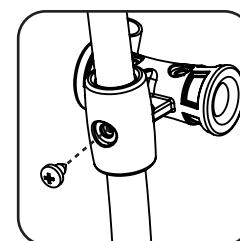
ÉTAPE 10



16 Vis autotaraudeuse (x1)

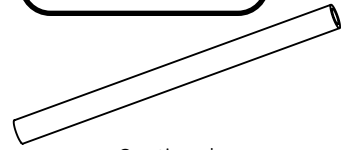
Fixez le joint et le tube de l'enceinte avec des vis (16) comme illustré.

Remarque : Les vis autotaraudeuses peuvent être difficiles à visser, car les trous ne sont pas filetés. Les outils inclus ou un tournevis feront l'affaire, mais une perceuse peut faciliter les choses.



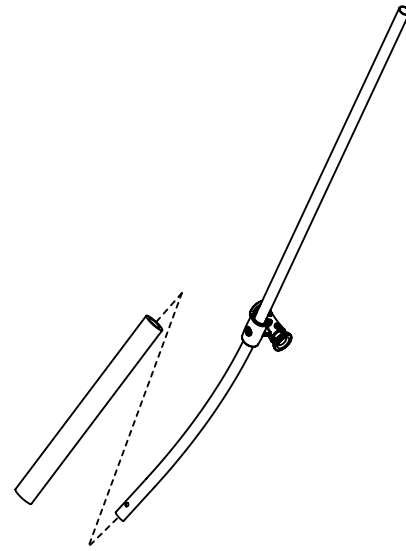
ASSEMBLAGE

ÉTAPE 11

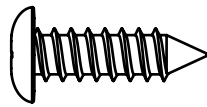


10 Section de mousse du milieu 302 mm (11 po) **(x1)**

Glissez la section de mousse du milieu **(10)** sur le tube assemblé de l'enceinte **(3)** comme illustré.

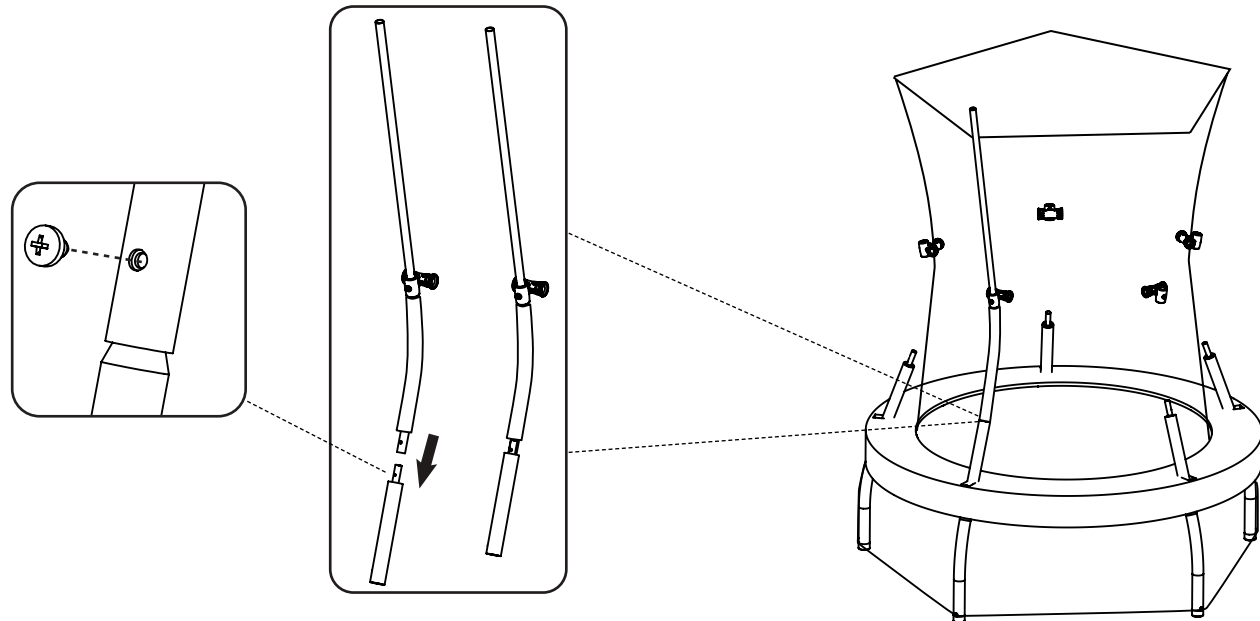


ÉTAPE 12



16 Vis autotaraudeuse **(x1)**

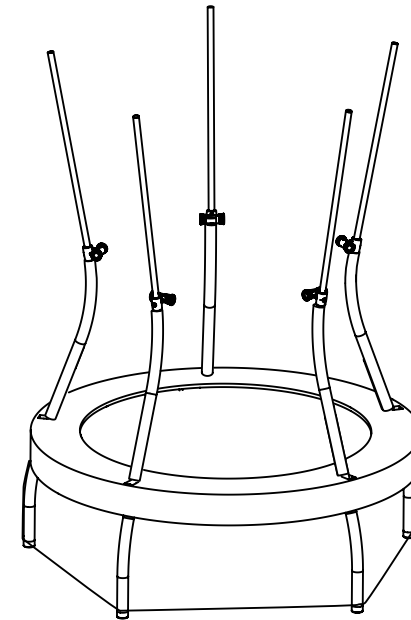
Insérez ensuite le tube de l'enceinte assemblé **(3)** sur le tube de la patte et serrez les ensembles avec une vis **(16)** comme illustré.



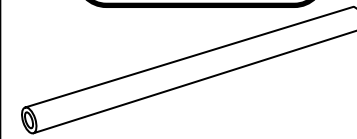
12

ÉTAPE 13

Répétez les étapes 9 à 12 pour assembler les quatre tubes restants de l'enceinte **(3)**.

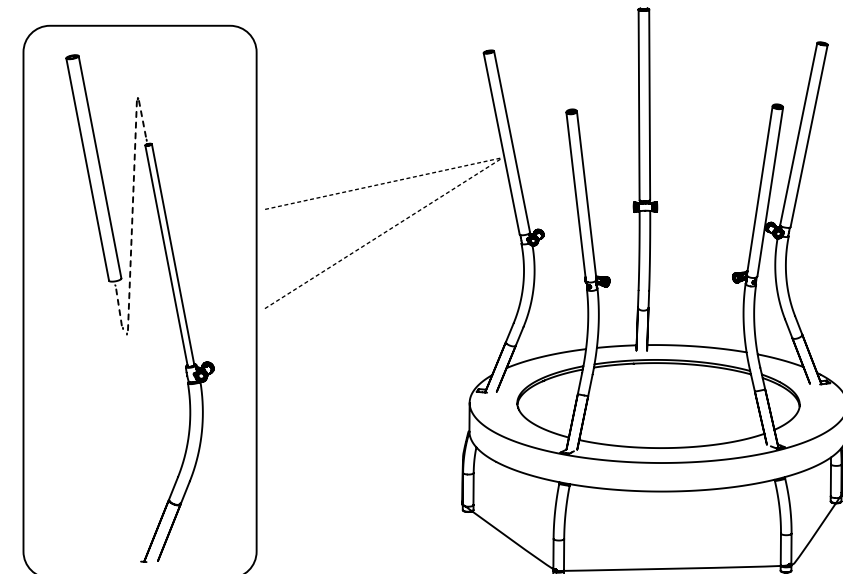


ÉTAPE 14



9 Section supérieure de mousse 545 mm (21 po) **(x5)**

Placez la section supérieure de mousse **(9)** sur le tube de l'enceinte comme illustré.



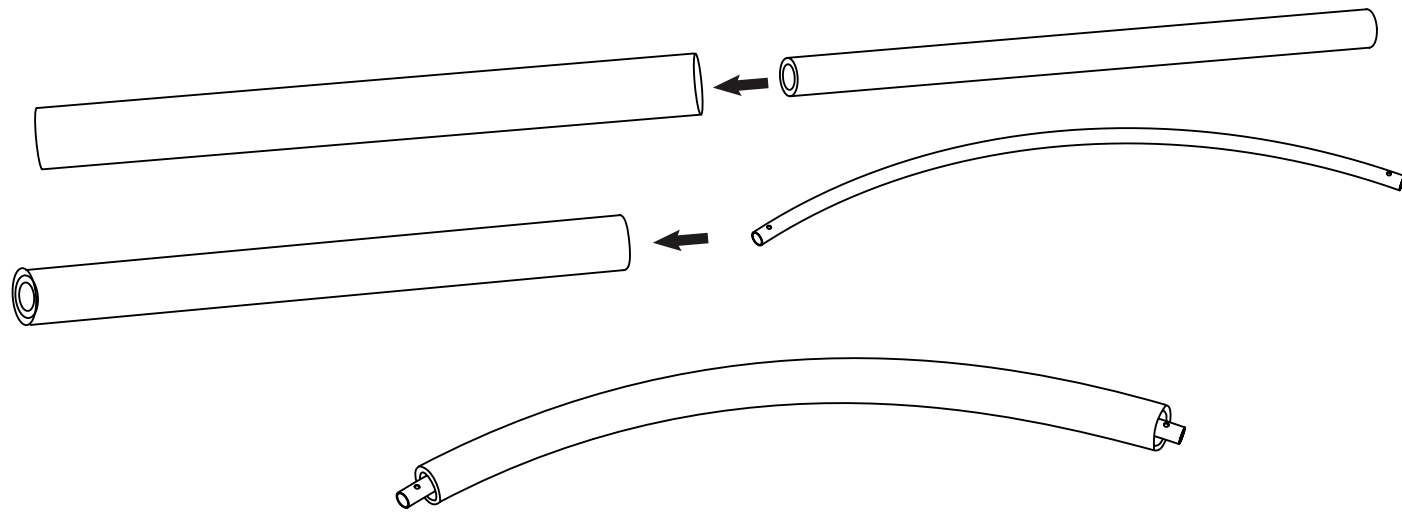
13

ASSEMBLAGE

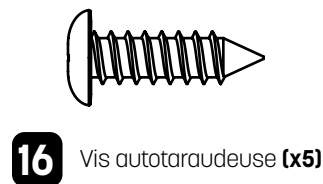
ÉTAPE 15



Insérez le manchon de mousse de la barre (12) dans le manchon (13). Insérez une barre (4) dans la mousse que vous venez de placer à l'intérieur du manchon.

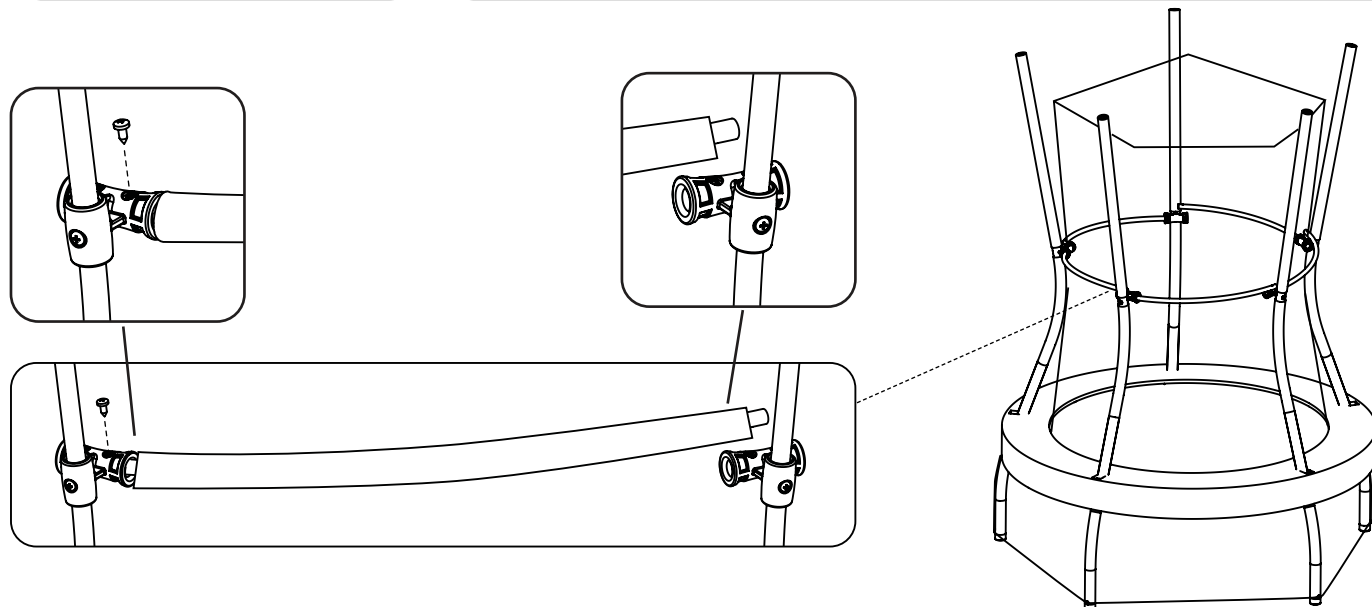


ÉTAPE 16

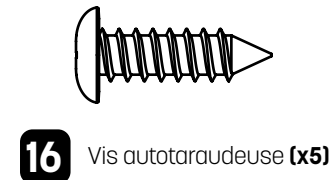


Maintenant, insérez une extrémité de la barre (2) dans le joint (5) sur le tube de l'enceinte. Fixez avec une vis (16). **Remarque : Ne fixez pas l'autre côté de la barre (2). Vous les visserez lors d'une autre étape.**

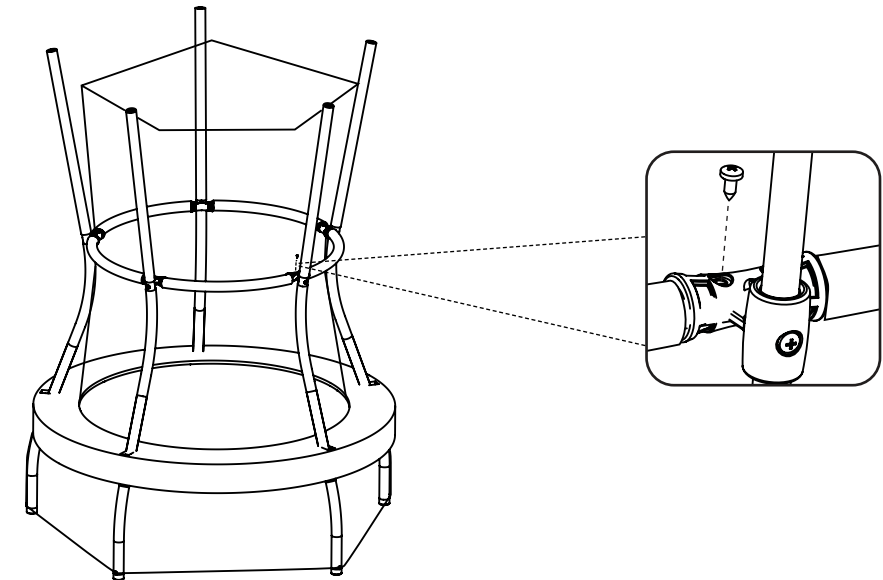
Répétez l'étape 15 et 16 pour fixer les barres restantes. Rappelez-vous de fixer seulement un côté.



ÉTAPE 17



Insérez les autres extrémités de chaque barre (2) dans les joints (5). Fixez à l'aide de vis (16).

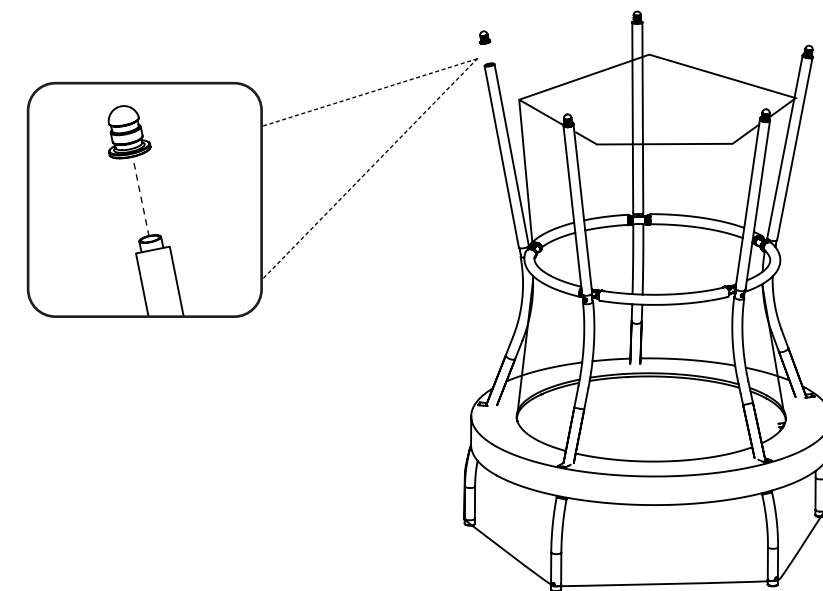


ÉTAPE 18



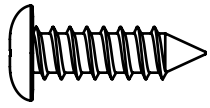
Placez maintenant le capuchon de poteau (14) sur le dessus de chaque tube de l'enceinte.

Assurez-vous que les capuchons de poteau sont bien insérés dans les tubes!



ASSEMBLAGE

ÉTAPE 19

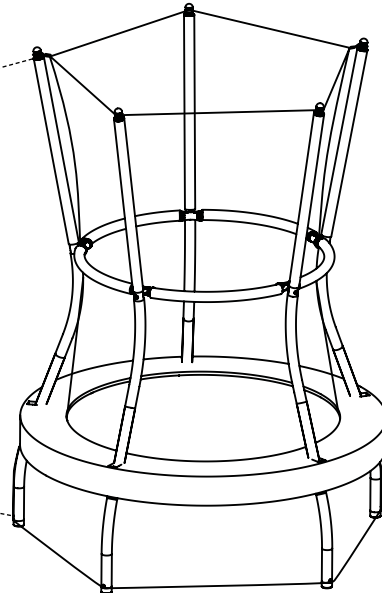
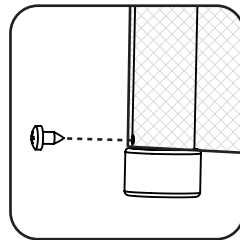
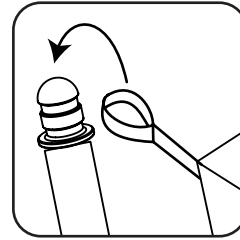


16 Vis autotaraudeuse (x5)

Placez les courroies qui sont sur la partie supérieure du filet de l'enceinte par-dessus les capuchons de poteau (14).

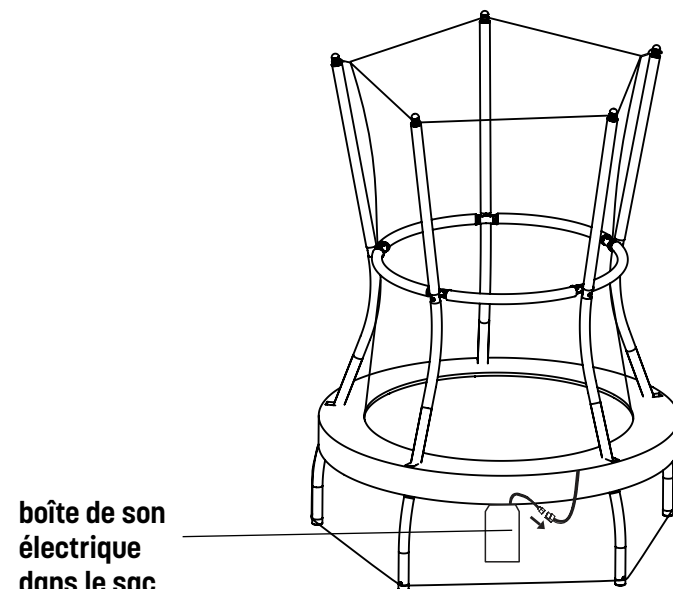
Insérez une vis autotaraudeuse (16) dans les trous dans le bas des pattes. Serrez pour fixer en place.

Remarque : Les vis autotaraudeuses peuvent être difficiles à visser, car les trous ne sont pas filetés. Les outils inclus ou un tournevis feront l'affaire, mais une perceuse peut faciliter les choses.



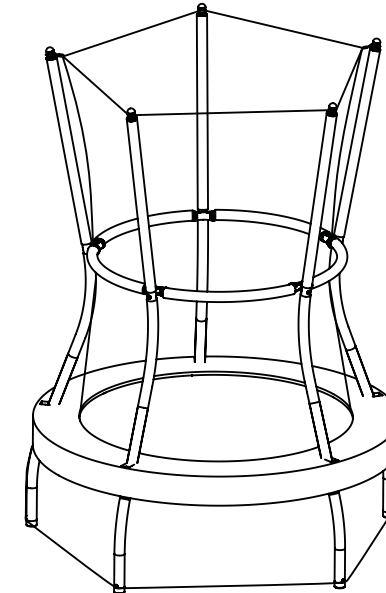
ÉTAPE 20

Si votre trampoline est fait des bruits sonores, regardez sous la trampoline pour fixer la boîte de son électrique à l'armature en utilisant les courroies cousues sur le sac. Fixez-la près du fil de son qui se trouve sous la toile de la trampoline. Reliez ensuite le fil de la boîte de son électrique au fil sous la toile comme sur l'illustration.

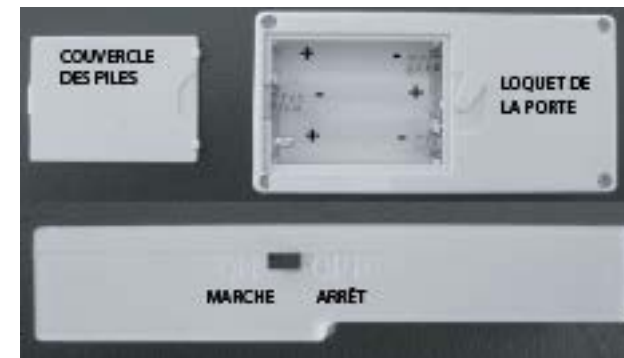


ÉTAPE 21

Félicitations pour avoir assemblé votre nouvelle mini trampoline! (Vous voyez... on savait que vous pouviez réussir!) Nous aimerions savoir si vous aimez votre produit. Laissez-nous une évaluation sur le site du détaillant auprès duquel vous avez acheté ce produit, sur notre page Facebook ou sur tout autre site d'évaluation. Nous souhaitons réellement avoir des nouvelles. Et si nous le pouvions, on vous donnerait une étoile. Vous êtes frustré ou vous avez des suggestions? Communiquez avec nous directement. Nous vous promettons que ne sommes pas là pour compliquer les choses, c'est une promesse. Et nous ferons tout ce que nous pouvons pour vous satisfaire. Consultez les coordonnées à la page 2 et 3.



FONCTIONNEMENT DE LA CONSOLE ÉLECTRONIQUE



1. Placez 3 piles AA à l'intérieur du compartiment de piles en suivant les indications de polarisation.
2. Fermez et verrouillez le couvercle des piles.
3. La console peut être mise en marche ou éteinte à l'aide du commutateur situé sur le côté de la console.

REMARQUE : Si l'unité ne produit aucun son, vérifiez en premier le commutateur de marche/arrêt.

Assurez-vous ensuite que les piles sont bonnes.

Testez la fonction de tapis d'activation sonore avec vos mains pour faire un son.

Ne mélangez pas des piles neuves et usagées.

Ne mélangez pas des piles alcalines, standard (carbone-zinc) ou rechargeables.

INFORMATION SUR L'ENTRETIEN ET LA MAINTENANCE

Félicitations et bravo. Vous avez assemblé avec succès votre nouvelle mini trampoline Skywalker! Maintenant, la meilleure façon de garder votre nouvelle trampoline en bon état, il est important de vérifier les éléments suivants périodiquement :

- Coussin de protection de l'armature, filet, tubes de l'enceinte ou manchons de mousse manquants, mal positionnés ou mal fixés
- Perforations, usures, déchirements ou trous dans la toile, le coussin de protection de l'armature, le filet ou les manchons de mousse
- Détérioration des coutures ou du tissu de la toile, du coussin de protection de l'armature ou du filet
- Bandes extensibles brisés ou manquants
- Armature, patte ou tubes de l'enceinte pliés ou cassés
- Toile ou filet enfoncé
- Protubérances pointues sur l'armature, le système de suspension ou les tubes de l'enceinte

Si vous remarquez l'une des conditions ci-dessus, veuillez désassembler l'enceinte et la trampoline jusqu'à ce que de nouvelles pièces aient été commandées.

N'oubliez pas de nous visiter en ligne! **Nous aimerions avoir de vos nouvelles.**



@skywalkertrampolines



skywalkertrampolines



@skywalker_trampolines



@swtrampolines



@swtrampolines



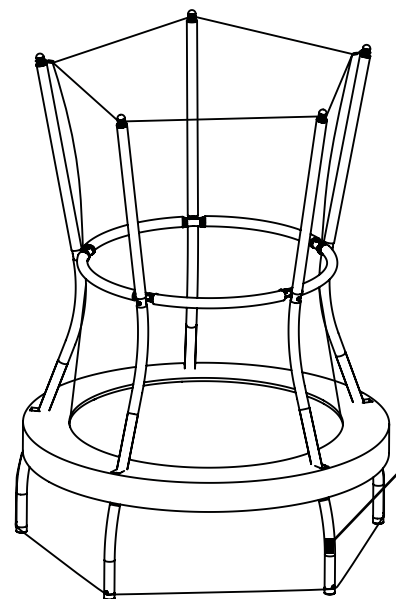
www.skywalkertrampolines.com

EMPLACEMENT DE L'ÉTIQUETTE D'AVERTISSEMENT

L'encart illustré ci-dessus cousu sur le filet de l'enceinte de la trampoline.

Remarque : Les étiquettes et l'encart illustrés ne représentent pas la taille réelle.

Les étiquettes mentionnées sur cette page ont été fixées à la trampoline aux emplacements indiqués. Les encarts d'instructions de sécurité devront être fixés par le propriétaire. Si les étiquettes ou l'encart ne sont pas présents ou illisibles, appelez notre ligne sans frais d'assistance à la clientèle au 1-866-603-JUMP (5867), du lundi au jeudi de 8 h à 17 h, le vendredi de 8 h à 15 h, heure normale des Rocheuses, pour commander des étiquettes ou un encart de remplacement gratuitement.



18

⚠ AVERTISSEMENT

- N'utilisez pas sans les coussins de protection de l'armature.
- N'essayez pas et ne permettez pas aux utilisateurs d'effectuer des culbutes sur la trampoline. L'atterrissage sur la tête ou le cou peut provoquer de graves blessures, la paralysie ou la mort, même lorsque vous tombez dans le milieu de la toile.
- Inspectez la trampoline et l'enceinte avant chaque utilisation. Remplacez toutes les pièces usées, défectueuses ou manquantes.
- Une personne à la fois sur la trampoline. L'utilisation de la trampoline par plus d'une personne à la fois augmente les risques de blessure.
- Utilisez la trampoline uniquement en présence de personnes adultes assurant la supervision.

INSTRUCTIONS D'UTILISATION

Afin de réduire le risque de blessures graves, lisez et respectez tous les avertissements, précautions et instructions indiqués dans ce manuel avant d'utiliser l'enceinte de la trampoline. Les avertissements et les instructions pour l'entretien, la maintenance et l'utilisation de cette trampoline et de cette enceinte sont inclus afin d'encourager une utilisation sécuritaire et agréable de cet équipement.

1. Il est de la responsabilité du propriétaire et des superviseurs de la trampoline et de l'enceinte de s'assurer que tous les utilisateurs se conforment aux instructions de sécurité indiquées dans ce manuel. La trampoline devrait être utilisée uniquement en présence d'adultes bien informés pour effectuer la supervision.
2. Verrouillez l'accès à la trampoline et à l'enceinte de la trampoline pour éviter l'accès non autorisé ou sans supervision. Si vous utilisez une échelle pour monter ou descendre de la trampoline, assurez-vous de l'enlever lorsque vous n'utilisez pas la trampoline ou l'enceinte.
3. Assurez-vous qu'il y a suffisamment d'espace au-dessus de la trampoline et de l'enceinte avant l'utilisation. Il est préférable d'avoir un espace d'au moins 7,3 m (24 pi) au-dessus du sol. Cet espace doit être exempt de câbles, de branches d'arbre et de tout autre objet à risque.
4. L'espace latéral (de côté) est très important. Ne placez pas la trampoline ou l'enceinte près des murs, des édifices, des clôtures, des trottoirs ou des autres aires de jeux. Gardez toujours une zone de dégagement sur tous les côtés de la trampoline et de l'enceinte.
5. Enlevez tous les objets pouvant interférer avec l'utilisateur. Conservez une zone de dégagement autour et sous la trampoline.
6. Assurez-vous que la trampoline et l'enceinte sont sur une surface au niveau avant l'utilisation.
7. Inspectez toujours la trampoline et l'enceinte avant chaque utilisation. Assurez-vous que l'armature, le coussin de protection, le filet, les tubes de l'enceinte et les manchons de mousse sont positionnés correctement et de manière sécuritaire. Remplacez toutes les pièces usées, défectueuses ou manquantes. (Les utilisateurs peuvent se blesser si la trampoline et l'enceinte sont utilisées dans de piètres conditions d'utilisation.)
8. Sautez seulement lorsque la surface de la toile est sèche. Les vents ou les déplacements d'air devraient être très faibles ou inexistantes. La trampoline et l'enceinte ne doivent pas être utilisées lors de vents importants ou violents.
9. L'armature de la trampoline et l'enceinte sont fabriquées en métal. Elles ne sont pas mises à la terre et sont conductrices de l'électricité. Un risque d'électrocution est donc possible. Aucune lumière, aucun radiateur électrique, aucune rallonge ou aucun appareil électrique ménager ne doivent être sur la trampoline ou dans l'enceinte à aucun moment.
10. Utilisez la trampoline et l'enceinte dans un endroit bien éclairé. Si la trampoline et l'enceinte sont à l'intérieur ou dans des zones peu éclairées, vous devrez peut-être ajouter de l'éclairage artificiel (électrique) dans la zone.
11. Pendant les mois d'hiver, les matériaux souples de la trampoline doivent être enlevés et stockés dans un endroit sec. Laisser en place ces éléments pendant l'hiver peut endommager les ressorts, la toile de la trampoline, les coussins de protection des ressorts et l'enceinte. La garantie sera annulée.
12. Cette trampoline et l'enceinte sont fabriquées pour des utilisateurs de moins de 45,4 kg (100 lb).
13. Cette trampoline est conçue pour des enfants de 3 à 7 ans.
14. L'enceinte de la trampoline doit être utilisée uniquement avec la taille de trampoline pour laquelle elle a été conçue.
15. Une utilisation incorrecte ou abusive de l'enceinte de la trampoline est dangereuse et peut provoquer de graves blessures.
16. N'attachez rien au filet qui n'est pas un accessoire approuvé par le fabricant ou qui fait partie des pièces du système d'enceinte.
17. Enlevez tous vos bijoux avant d'utiliser la trampoline. Les bijoux peuvent rester coincés dans le filet de l'enceinte.
18. Portez des vêtements sans cordon, crochet, boucle ou tout autre élément qui pourrait rester coincé pendant que vous utilisez la trampoline/l'enceinte et provoquer l'étranglement, la strangulation ou les deux.
19. Ne laissez pas entrer plus d'une personne à la fois dans l'enceinte de la trampoline. Le fait d'avoir deux personnes ou plus dans l'enceinte de la trampoline en même temps peut provoquer des blessures graves.
20. Ne sautez pas sur la trampoline pendant que vous tenez ou que vous avez des objets en main, spécialement des objets tranchants ou cassants.
21. N'utilisez pas la trampoline et l'enceinte si vous avez consommé de l'alcool ou des drogues.
22. N'essayez pas ou n'autorisez pas une autre personne à faire des sauts périlleux (sauts arrière) sur la trampoline. L'atterrissage sur la tête ou le cou peut provoquer de graves blessures, la paralysie ou la mort, même lorsque vous tombez dans le milieu de la toile de la trampoline.
23. Grimpez et descendez normalement de la trampoline. Sauter de la trampoline sur le plancher ou au sol lorsque vous descendez ou sauter sur la trampoline lorsque vous montez constitue une pratique dangereuse.
24. N'utilisez pas la trampoline comme tremplin pour d'autres objets. Entrez et sortez de l'enceinte uniquement en empruntant la porte de l'enceinte ou la barrière conçue à cette fin.
25. N'essayez pas de ramper sous, de sauter par-dessus, de rebondir intentionnellement sur, de se suspendre à, de grimper sur ou de couper le filet de sécurité.
26. En conservant la tête droite, gardez les yeux fixés sur la trampoline en direction du périmètre. Ceci vous aidera à contrôler le saut.
27. Arrêtez de sauter en pliant les genoux au moment où vos pieds entrent en contact avec la toile de la trampoline. Apprenez cette technique avant d'en essayer d'autres.
28. Évitez de sauter trop haut. Sautez légèrement jusqu'à ce que vous contrôliez les sauts et l'atterrissage au centre de la trampoline. Le contrôle est plus important que la hauteur.
29. Évitez de sauter lorsque vous êtes fatigué. Gardez les séances sur la trampoline courtes.
30. Apprenez les sauts et les positions corporelles de base complètement avant d'essayer de développer des techniques plus évoluées. Une grande variété d'activités de trampoline peuvent être effectuées avec les notions de base dans différentes combinaisons, en utilisant les règles de base en rebondissant avec les pieds.
31. Pour obtenir de l'information supplémentaire concernant l'équipement de trampoline, communiquez avec le fabricant. Pour obtenir de l'information concernant la formation, communiquez avec un instructeur de trampoline certifié.
32. N'utilisez pas ou ne restez pas près de la trampoline dans des conditions venteuses ou de grands vents. Une trampoline peut être transportée par le vent dans des conditions venteuses ou de grands vents. Cela peut entraîner de graves blessures, la paralysie ou la mort, en plus de provoquer des dommages matériels. Pour réduire ces risques, désassemblez la trampoline et l'enceinte et rangez-les jusqu'à ce que les conditions météorologiques s'améliorent. L'ancrage de l'armature de la trampoline peut empêcher la trampoline de se déplacer en raison du vent, mais même des trampolines ancrées peuvent être emportées ou endommagées par le vent. Consultez un entrepreneur qualifié pour déterminer le type d'ancrage à utiliser en fonction de votre emplacement.

19

MÉTHODES POUR LA PRÉVENTION D'ACCIDENT

LE RÔLE DU SUPERVISEUR QUANT À LA PRÉVENTION DES ACCIDENTS

Il est de la responsabilité des superviseurs des utilisateurs de la trampoline de fournir une surveillance en toute connaissance et de façon mature. Ils doivent connaître et appliquer toutes les règles et tous les avertissements imprimés dans ce manuel afin de minimiser la possibilité d'accidents et de blessures. Ils doivent aviser les utilisateurs de ces règles. Durant les périodes où la supervision n'est pas disponible ou inadéquate, il est possible que vous deviez démonter la trampoline, la placer dans une zone sûre ou la protéger contre l'utilisation non autorisée. Une autre option à considérer est de couvrir la trampoline par une bâche qui peut être fixée à l'aide de cadenas et de chaînes. Le superviseur a la responsabilité de s'assurer que l'encart des instructions de sécurité de la trampoline est affiché sur la trampoline et que les utilisateurs soient au courant de ces instructions.

LE RÔLE DE L'UTILISATEUR QUANT À LA PRÉVENTION DES ACCIDENTS

L'éducation de l'utilisateur est essentielle à sa sécurité. Les utilisateurs doivent apprendre tout d'abord à sauter légèrement ainsi que les positions de base pour l'atterrissage ainsi que les combinaisons avant de passer aux techniques intermédiaires. Les utilisateurs doivent comprendre qu'ils doivent maîtriser le « contrôle » avant de penser aux autres mouvements. Comprendre la progression adéquate des techniques de saut sur la trampoline est la première leçon. Passez en revue ce manuel pour apprendre les techniques de base pour utiliser la trampoline. Pour obtenir de plus amples informations ou d'autres renseignements concernant la formation, communiquez avec un instructeur de trampoline certifié.

INSTRUCTIONS DE SÉCURITÉ POUR LA TRAMPOLINE

Pour le superviseur

Lisez les instructions avant d'utiliser la trampoline. Appliquez toutes les règles de sécurité. Familiarisez-vous avec l'information contenue dans ce manuel de façon à pouvoir aider les nouveaux utilisateurs à apprendre les sauts de base et tous les utilisateurs à suivre les règles de sécurité. Tous les utilisateurs de la trampoline doivent être sous supervision d'un adulte ayant les connaissances de base, peu importe leur niveau de compétence ou leur âge. Cette trampoline n'est pas recommandée pour des enfants de moins de 6 ans. Inspectez la trampoline avant de l'utiliser. N'utilisez pas la trampoline sans que le coussin de protection de l'armature soit fixé pour couvrir l'armature. N'utilisez pas la trampoline lorsqu'elle est mouillée ou dans des conditions venteuses. Une toile de trampoline, des ressorts ou toute pièce d'armature usés ou endommagés doivent être remplacés immédiatement.

Sauts

Apprenez les sauts et les positions corporelles de base complètement avant d'essayer de développer des compétences plus évoluées. Apprenez à connaître vos propres limites lorsque vous exécutez des sauts sur la trampoline. Étudiez ce manuel de l'utilisateur pour apprendre comment exécuter les sauts de base. Arrêtez vos sauts en pliant les genoux au moment où vos pieds entrent en contact avec la toile de la trampoline. Apprenez cette technique avant d'en essayer d'autres.

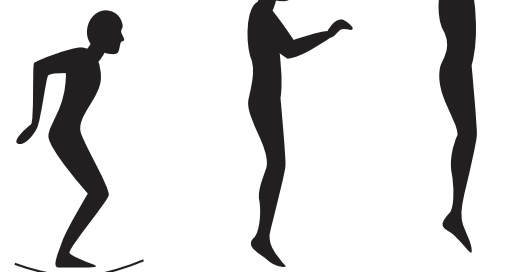
INSTRUCTION ET MODÈLE DE LEÇONS

Les leçons suivantes sont des exemples d'un programme d'instruction. Ils doivent être précédés d'une discussion complète et d'une démonstration de la mécanique du corps par le superviseur pour les étudiants.

1. Saut de base : Démonstration et pratique.
2. Chute sur les genoux : Démonstration et pratique.
3. Chute sur les mains et les genoux : Effectuez la démonstration et pratiquez, en insistant sur l'atterrissage en quatre points et l'alignement.
4. Chute sur le dos : Démonstration et pratique.
5. Chute sur le postérieur : Démonstration et pratique.
6. Chute avant : Démonstration et pratique.
7. Demie table tournante : Démonstration et pratique.
8. Pivot des hanches : Démonstration et pratique.
9. Monter et descendre : Démonstration et pratique des techniques appropriées.
10. Arrêt : Démonstration et pratique. Arrêt sur demande.

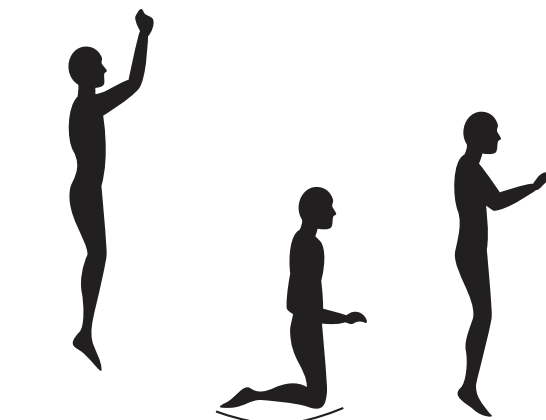
Leçon 1 : Saut de base

1. Commencez en position debout avec votre tête bien droite et vos yeux qui fixent le coussin de protection de l'armature.
2. Balancez vos bras vers le haut dans un mouvement circulaire.
3. Rapprochez vos pieds ensemble et pointez vos orteils vers le bas lorsque vous êtes dans les airs.
4. Gardez vos pieds à une distance d'environ 38 cm (15 po) lorsque vous retombez sur la toile.



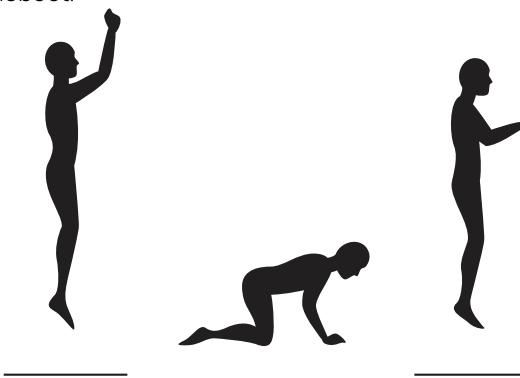
Leçon 2 : Chute sur les genoux

1. Commencez à sauter en position debout, en gardant vos yeux sur le coussin de protection de l'armature.
2. Tombez sur vos genoux, en gardant le dos droit et le haut de votre corps relevé.
3. Revenez à la position debout.



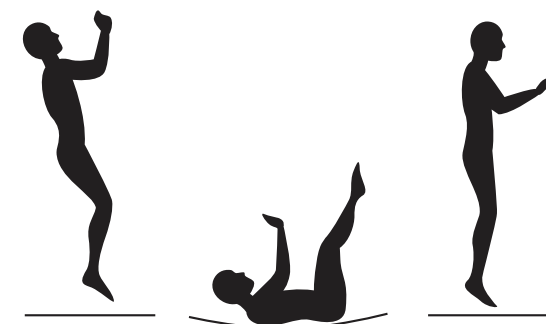
Leçon 3 : Chute sur les mains et les genoux

1. Commencez à sauter en position debout, en gardant vos yeux sur le coussin de protection de l'armature.
2. Atterrissez sur la toile sur vos mains et vos genoux.
3. Poussez avec vos mains pour revenir en position debout.



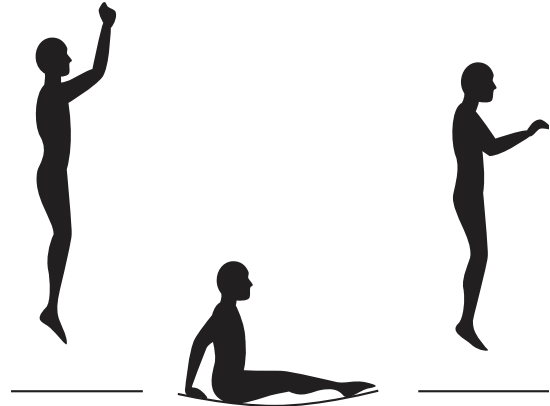
Leçon 4 : Chute sur le dos

1. Commencez par un saut léger et retombez sur votre dos.
2. Gardez votre menton penché sur votre poitrine lorsque vous atterrissez.
3. Donnez un coup de pied vers l'avant et vers le haut avec vos jambes pour revenir en position debout.



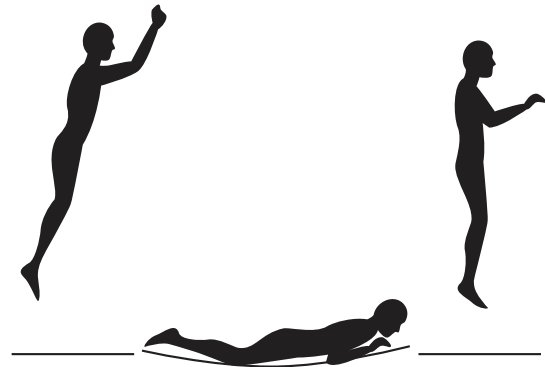
Leçon 5 : Chute sur le postérieur

1. Atterrissez dans une position assise en ayant vos jambes parallèles à la toile.
2. Placez vos mains sur la toile de chaque côté de vos hanches.
3. Poussez avec vos mains pour revenir en position debout.



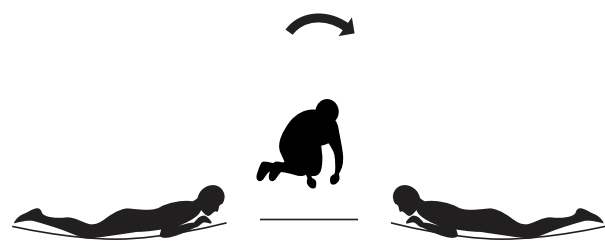
Leçon 6 : Chute avant

1. Commencez par un saut léger et retombez sur votre ventre.
2. Tenez votre tête relevée et vos bras allongés vers l'avant sur la toile.
3. Poussez avec vos bras pour revenir en position debout.



Leçon 7 : Demie table tournante

1. Commencez par la position de chute avant et poussez sur la droite ou la gauche avec vos bras en tournant votre corps dans la direction opposée.
2. Tournez votre tête et vos épaules vers la direction dans laquelle votre corps se tourne.
3. Gardez votre dos parallèle à la toile de la trampoline et votre tête vers le haut.
4. Après avoir complété un demi-tour, retombez dans la position de chute avant.



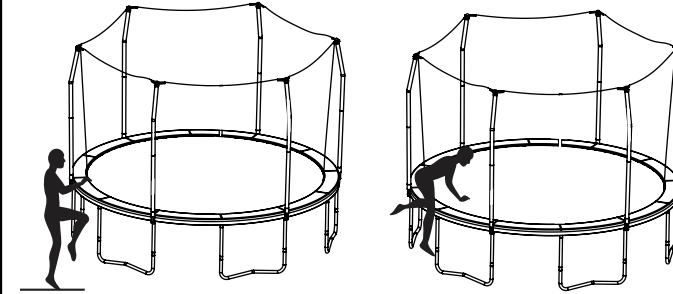
Leçon 8 : Pivot des hanches

1. Commencez par une chute sur le postérieur.
2. Tournez votre tête sur la gauche ou la droite et balancez vos bras dans la même direction.
3. Tournez vos hanches dans la même direction que votre tête et vos bras en complétant la torsion.
4. Atterrissez dans la position de la chute sur le postérieur.
5. Gardez vos jambes parallèle à la toile de la trampoline et votre tête vers le haut.
6. Après avoir complété un demi-tour, retombez dans la position de chute avant.



Leçon 9 : Monter et descendre

1. Les utilisateurs doivent monter sur la trampoline en plaçant leurs mains sur l'armature et en montant ou en roulant sur l'armature à travers les ressorts, puis sur la toile.
2. Pour descendre, les utilisateurs doivent aller sur le côté de la toile, se plier et placer une main sur l'armature, puis descendre de la toile vers le sol.



Leçon 10 : Arrêt

1. En commençant debout, sautez dans les airs.
2. Au moment où vous atterrissez sur la toile, pliez les genoux le plus possible pour arrêter le saut.



Une fois que chacune de ces leçons est apprise, l'étudiant devrait être encouragé à concevoir et à planifier des routines en mettant l'accent sur la bonne forme. L'instructeur peut juger ou noter les étudiants et organiser des groupes pour poursuivre l'enseignement.

Pour stimuler l'intérêt compétitif des étudiants, le jeu de « Horse pour la trampoline » peut être introduit. Avant de commencer le jeu, les étudiants s'attribuent un chiffre. Pour commencer une partie, l'étudiant numéro 1 effectue une acrobatie puis descend. L'étudiant numéro 2 monte ensuite sur la trampoline, effectue la même acrobatie et ajoute une seconde acrobatie, puis descend. L'étudiant numéro 3 monte et effectue les acrobaties 1 et 2, puis en ajoute une troisième, puis descend. La série d'acrobatie est continuellement allongée. La première personne à manquer une acrobatie dans la série prend la lettre « H » et commence une nouvelle série par une acrobatie. Si une personne manque à nouveau, elle prend la lettre « O ». Lorsqu'une personne accumule « H-O-R-S-E », il ou elle est éliminé de la partie. Le dernier participant à rester est le gagnant. Il serait préférable à partir de ce moment de contacter un instructeur qualifié de trampoline pour la planification des leçons.

INFORMATION DE SÉCURITÉ POUR LA TRAMPOLINE

Les participants peuvent se blesser lors de l'utilisation de la trampoline, comme c'est le cas pour tous les sports récréatifs. Cependant, des précautions peuvent être prises pour réduire le risque de blessures. Les principaux types d'accidents sont identifiés dans cette section et les responsabilités des superviseurs et des personnes qui sautent sont décrites dans la section sur la prévention des accidents.

CLASSIFICATION DES ACCIDENTS

Culbutes (sauts arrière) : Vous augmentez le risque de fracture au niveau du dos ou du cou en tombant sur votre tête ou votre cou, même dans le centre de la toile de la trampoline, ce qui peut provoquer la paralysie ou même la mort. De tels événements peuvent se produire lorsqu'un utilisateur fait une erreur en essayant d'effectuer une culbute ou un saut arrière. N'effectuez pas de saut arrière (culbute) sur cette trampoline.

Plusieurs utilisateurs : Lorsque plus d'un utilisateur est présent sur la trampoline, les risques de blessures provoquées par la perte de contrôle d'un saut augmentent. Les utilisateurs peuvent entrer en collision les uns avec les autres, tomber de la trampoline, tomber sur les ressorts ou tomber de la mauvaise façon sur la toile de trampoline. L'utilisateur le moins lourd est le plus susceptible d'être blessé.

Monter et descendre (s'installer sur la trampoline ou sortir de la trampoline) : La toile de la trampoline est à plusieurs pieds au-dessus du niveau du sol. En sautant de la trampoline directement sur le sol ou sur une autre surface, vous risquez de vous infliger des blessures. Sauter sur la trampoline à partir d'une toiture, d'une terrasse ou de tout autre objet présente un risque de blessure. Les jeunes enfants pourraient avoir besoin d'aide pour monter et descendre de la trampoline. Montez et descendez prudemment de la trampoline. Ne sautez pas sur les ressorts de la trampoline. Ne vous soutenez pas sur les coussins de protection de l'armature pour vous tirer sur la trampoline.

Contact avec l'armature et les bandes extensibles : Une blessure peut survenir si vous heurtez l'armature ou si vous tombez sur les ressorts pendant que vous sautez ou pendant que vous montez ou descendez de la trampoline. Restez au centre de la toile de la trampoline lorsque vous sautez. Assurez-vous de conserver les coussinets de protection de l'armature en place pour recouvrir l'armature. Le coussin de protection de l'armature n'est pas fabriqué ou conçu pour soutenir le poids de l'utilisateur de la trampoline. Ne marchez pas ou ne sautez pas directement sur les coussins de protection de l'armature.

Perte de contrôle : Les utilisateurs qui perdent le contrôle de leurs sauts peuvent tomber incorrectement sur la toile, tomber sur l'armature ou les ressorts ou tomber hors de la trampoline. Un saut contrôlé est un saut où l'atterrissage se fait au même endroit que le décollage. Avant d'essayer une technique plus difficile, vous devriez être en mesure d'effectuer une autre technique à plusieurs reprises en gardant le contrôle. Essayer une technique qui demande un niveau supérieur de compétence augmente le risque de perte de contrôle. Pour reprendre le contrôle et interrompre votre saut, pliez vos genoux rapidement lorsque vous atterrissez.

Utilisation d'alcool ou de drogue : Le risque de blessure augmente lorsqu'un utilisateur consomme de l'alcool ou de la drogue. Ces substances affectent le temps de réaction, le jugement et la coordination.

Objets environnants : Sauter sur une trampoline pendant que d'autres personnes, des animaux ou des objets se trouvent sous celle-ci peut augmenter le risque de blessure. Sauter tout en tenant ou en ayant un objet sur la trampoline, plus particulièrement un objet tranchant ou cassable, peut augmenter le risque de blessure. Placer une trampoline trop près de câbles électriques aériens, de branches d'arbre ou d'autres objets peut augmenter le risque de blessure.

Mauvais entretien de la trampoline : Les utilisateurs peuvent se blesser si la trampoline est en mauvaise condition. Une toile déchirée, une armature pliée, un ressort brisé ou un coussin de protection manquant doivent être remplacés avant que quelqu'un saute sur la trampoline. Inspectez la trampoline avant chaque utilisation.

Accès : Pour prévenir l'accès à la trampoline par des enfants en jeune âge non supervisés, l'échelle d'accès offerte en option devrait toujours être retirée et rangée dans un endroit sûr lorsque la trampoline n'est pas utilisée.

INFORMATION DE SÉCURITÉ POUR L'ENCEINTE

IL EST NÉCESSAIRE D'ASSURER LA SÉCURITÉ DE L'ENCEINTE DE LA TRAMPOLINE EN UTILISANT CELLE-CI DE FAÇON SÉCURITAIRE

L'enceinte de la trampoline est un produit récréatif. L'information contenue sur cette page identifie les précautions de sécurité importantes. Les précautions ne comprennent pas toutes les situations puisque l'enceinte peut être utilisée de certaines façons que ce manuel ne couvre pas.

Afin de prévenir les pincements et les coupures durant l'utilisation de l'enceinte, un coussin de protection de l'armature doit être installé sur la trampoline (Voir les instructions du fabricant de la trampoline). Le coussin de protection de l'armature doit être placé sur la trampoline avant de monter l'enceinte. Le coussin de protection de l'armature réduit le risque de blessure suite à un contact accidentel avec les ressorts et l'armature.

UTILISATION DE L'ENCEINTE DE FAÇON SÉCURITAIRE

Supervision d'un adulte pour les enfants

Les enfants utilisant une trampoline disposant d'une enceinte doivent être supervisés par des adultes. Les jeunes enfants doivent avoir une supervision constante. Les adultes doivent porter une attention particulière :

- Aux objets que les enfants apportent dans l'enceinte
- Aux activités des enfants à l'intérieur de l'enceinte
- Aux conditions à l'intérieur de l'enceinte lorsque les enfants l'utilisent
- La façon à laquelle les enfants entrent et sortent de l'enceinte

Des détails supplémentaires relatifs à la sécurité à l'intérieur de l'enceinte sont décrits ci-dessous :

Risques d'électrocution associés avec l'armature de métal de la trampoline et de l'enceinte

La trampoline et l'armature de l'enceinte sont fabriquées d'acier galvanisé. Elles ne sont pas mises à la terre et sont conductrices de l'électricité. Pour cette raison, un risque d'électrocution est donc possible. Aucune lumière, aucun radiateur électrique, aucune rallonge ou aucun appareil électrique ménager ne doivent être sur la trampoline ou dans l'enceinte à aucun moment.

Risques associés avec l'entrée et la sortie de l'enceinte de la trampoline

Une enceinte de trampoline installée sur une trampoline est surélevée à partir du sol. La hauteur de l'enceinte augmente le risque de chute lorsqu'un utilisateur entre ou sort de l'enceinte. Les jeunes enfants, plus particulièrement, peuvent avoir de la difficulté à entrer et à sortir de l'enceinte. Afin de réduire le risque de chute, aidez toujours les jeunes enfants à entrer et à sortir de l'enceinte.

Entrez et sortez de l'enceinte de la trampoline seulement par la porte de l'enceinte (l'ouverture dans le filet). La toile de la trampoline et les parois en filet de l'enceinte sont des morceaux séparés. Aucun utilisateur, plus particulièrement les jeunes enfants, ne devrait jamais quitter l'enceinte en passant entre la toile de la trampoline et le filet. Essayer de sortir de cette façon pourrait entraîner un risque d'étouffement si l'utilisateur demeure coincé entre l'armature de la trampoline et les filets.

Le manque d'éclairage de l'enceinte augmente le risque de chute lorsqu'un utilisateur entre ou sort de l'enceinte. N'utilisez pas la trampoline si l'éclairage est inadéquat.

Risques associés avec les animaux, les objets tranchants ou cassants

Pour éviter les dommages à l'enceinte de la trampoline et à la trampoline, ne laissez pas d'animaux de compagnie à l'intérieur de l'enceinte. Les mâchoires et les dents des animaux peuvent endommager le filet. Ne sautez pas sur la trampoline en tenant ou en portant des objets tranchants ou cassants.

GARANTIE LIMITÉE

Skywalker Holdings, LLC garantit que ses produits sont libres de défauts de fabrication ou de main-d'œuvre dans le cadre d'une utilisation normale et selon les conditions de service. **Le cadre en acier est garanti pendant trois (3) ans après la date de l'achat. Les autres pièces sont garanties pendant un (1) an après la date de l'achat.** La couverture de la garantie s'applique uniquement à l'acheteur initial à partir de la date d'achat. Cette garantie est valide uniquement pour les produits concernés, lorsque utilisés dans un cadre résidentiel. Les produits utilisés pour une utilisation commerciale, comme les écoles et les garderies, ne seront pas couverts.

QU'EST-CE QUI N'EST PAS COUVERT?



Domage provoqué par les intempéries : La garantie ne couvre pas les dommages provoqués par les effets ou des actes de la nature, comme des tremblements de terre, des vents, des ouragans, des tornades, des éclairs, de la pluie, du feu, de la neige, une chaleur excessive et des températures froides et/ou l'endommagement par le soleil. Pendant les mois d'hiver, les matières souples de la trampoline doivent être enlevées et stockées dans un endroit sec, là où il n'y a pas de neige. Si vous ne les protégez pas pendant les mois d'hiver, certaines composantes comme les ressorts, la toile de la trampoline, les coussins de protection des ressorts et l'enceinte peuvent s'endommager et annuler la garantie.



Dégradation des couleurs et rouille : Nos produits sont complètement galvanisés. Skywalker n'offre aucune garantie contre la rouille ou la corrosion. Certaines régions peuvent présenter des conditions d'environnement plus salin, contenant un plus haut taux d'humidité, avec plus de pluie ou de neige. Skywalker n'offre aucune garantie contre la dégradation des couleurs. Nous suggérons aux clients d'utiliser un protecteur UV sur le coussin de protection de l'armature pour prolonger la vie du produit.



La perte ou les dommages du produit : La perte ou les dommages du produit survenant pendant la livraison ou provoqués par une utilisation inappropriée, un usage inadéquat ou anormal ou des réparations qui n'ont pas été effectuées par un représentant autorisé ne sont pas couverts par la garantie et peuvent annuler la garantie.



Commander des pièces de remplacement : La garantie peut être annulée si des défauts ou des dommages sont associés à l'utilisation de pièces de remplacement non autorisées. Toutes les pièces de remplacement doivent être obtenues auprès d'un agent agréé.



Service d'assemblage : La garantie ne couvre pas les travaux ou les omissions lorsque le service d'assemblage est offert par un tiers. Le client est responsable de vérifier que toutes les composantes sont présentes et incluses dans les boîtes et qu'elles sont en bonnes conditions avant l'installation.

INSPECTION ET PIÈCES DE REMPLACEMENT :

1. Votre trampoline doit être inspectée lors du déballage et de l'installation, puis sur une base régulière. Les pièces endommagées, usées ou brisées doivent être remplacées immédiatement et avant d'utiliser la trampoline à nouveau.
2. Appelez le service à la clientèle de Skywalker Trampoline au 1-866-603-5867 pour faire une réclamation sous garantie. Préparez les informations suivantes pour répondre aux questions du représentant : nom, adresse d'expédition, une copie de votre reçu d'achat, une brève description du problème et la cause, le numéro de modèle de la trampoline et le numéro de série. Nous pourrions aussi demander des photos des pièces endommagées ou défectueuses.
3. Le service à la clientèle examinera votre réclamation et vous contactera pour vous donner d'autres instructions.

REMARQUE : Toute l'information demandée doit être donnée de manière à évaluer votre réclamation de garantie.

Pour commander des pièces de remplacement pour votre produit, veuillez visiter www.skywalkertrampolines.com

Skywalker Holdings, LLC, PO Box 574, Brigham City, UT 84302 États-Unis.

Imprimé en Chine © 2021 Skywalker Holdings, LLC

REMARQUE : Skywalker Holdings, LLC n'est pas responsable des dommages indirects, particuliers ou consécutifs provenant ou liés à l'utilisation ou la performance du produit ou autres dommages liés à des pertes économiques, des pertes de propriété, des pertes de revenus ou de profits, des pertes de jouissance ou d'utilisation, les coûts liés à l'enlèvement, l'installation ou autres dommages consécutifs. Certains États ou provinces ne permettent pas l'exclusion ou la limitation des dommages accidentels ou consécutifs. En conséquence, il est possible que les limitations mentionnées précédemment ne s'appliquent pas à vous.

La garantie énoncée dans la présente remplace toute garantie et toute garantie implicite de qualité marchande ou d'aptitude à une utilisation particulière se limite à la portée et à la durée des modalités définies dans la présente. Certains États ou pays ne permettent pas de déterminer une échéance aux garanties implicites. En conséquence, il est possible que les limitations mentionnées précédemment ne s'appliquent pas à vous. Cette garantie vous donne des droits juridiques spécifiques. Vous disposez également d'autres droits qui varient d'un État ou d'un pays à l'autre. Cette garantie est valide uniquement dans le pays où le produit a été acheté.

Cette garantie est valide uniquement dans le pays où le produit a été acheté.