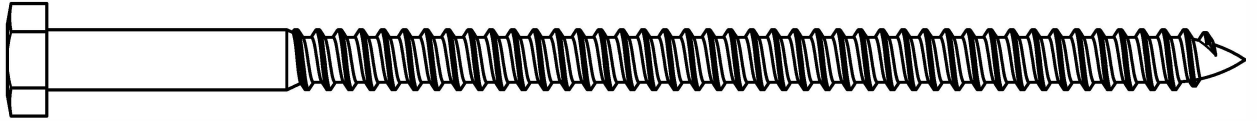
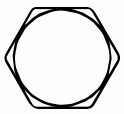


PACKAGE 3 SHOWN

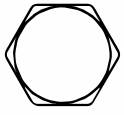
MONKEY PLAYSYSTEM TOWER

ASSEMBLY INSTRUCTIONS

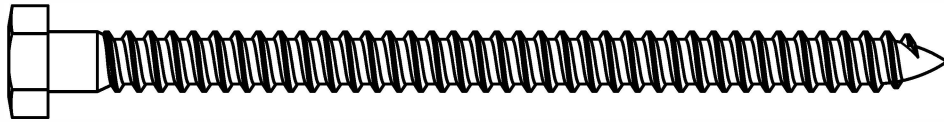
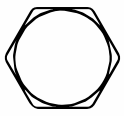
HARDWARE IDENTIFICATION



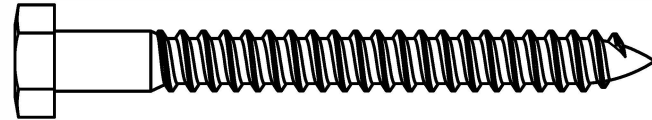
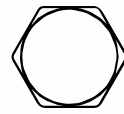
Ø5/16" x 6" LAG SCREWS (4)



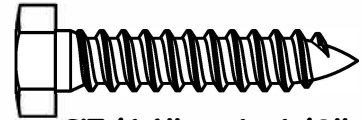
Ø5/16" x 5 1/2" HEX BOLTS (12)



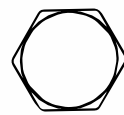
Ø5/16" x 5" LAG SCREWS (4)



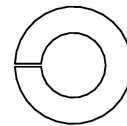
Ø5/16" x 3" LAG SCREWS (42)



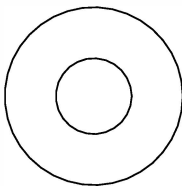
Ø5/16" x 1-1/2" LAG SCREWS (4)



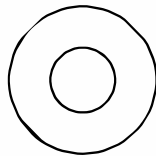
Ø5/16" x 3 1/2" HEX BOLTS (2)



Ø5/16" SPLIT WASHERS (12)



5/16" FLAT WASHERS (68)



Ø1/4" FLAT WASHERS (8)



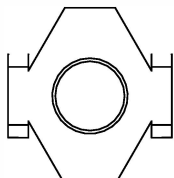
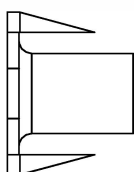
#6 x 2 1/2" DECK SCREWS (8)



3" DECK SCREWS (4)



2" DECK SCREWS (67)



Ø5/16" T-NUTS (14)







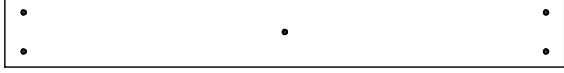





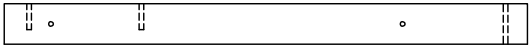
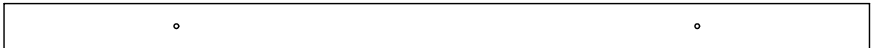
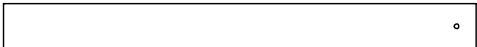
#12x1" PAN HEAD SCREWS (8)



1-5/8" DECK SCREWS (42)











PARTS IDENTIFICATION

WOOD COMPONENTS

ID LETTER	DESCRIPTION	QUANTITY
BB	 2"x6"x45" - END CAP	2
CC	 2"x4"x45" - FLOOR JOIST	2
DD	 2"x4"x45" - FLOOR JOIST/PICNIC BENCH	3
EE	 2"x4"x45" - END CAP	1
G	 2"x6"x45" - FLOOR CAP	1
H	 2"x6"x45" - SANDBOX BOARD	1
HH	 1"x4"x16" - LADDER SLAT	3
II	 2"x4"x23" - LADDER WALL SLAT	2
JJ	 4"x4"x96" - TOWER UPRIGHT	2
KK	 4"x4"x59 1/2" - TOWER UPRIGHT	2
LL	 4"x4"x42" - SHORT TOWER UPRIGHT	2
M	 2"x4"x69 1/2" - TARP SUPPORT	2
MM	 2"x4"x38" - WALL RAIL	2

PARTS IDENTIFICATION

WOOD COMPONENTS cont.

ID LETTER	DESCRIPTION	QUANTITY
OO	 2"x4"x36 3/8" - TURBO SLAT	2
P	 2"x4"x45" - WALL RAIL	7 + 3 from fort
PP *PPA with upgraded turbo	 2"x4"x22 1/2" - TURBO WALL SLAT	2
QQ	 1"x4"x37 3/4" - END FLOOR BOARD	4
RR	 1"x4"x35" - TURBO WALL SLAT	2
S	 1"x6"x45 1/8" - FLOOR BOARD/PICNIC TABLE TOP BOARD	9
W	 1"x4"x48" - TARP END CAP	2
X	 1"x4"x45" - TARP SUPPORT	1
Y	 1"x4"x36" - TARP UPRIGHT	2
Z23	 1"x4"x23" - WALL SLAT	14

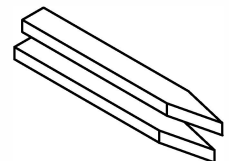
ACCESSORIES IDENTIFICATION



(1) TARP



(2) L-BRACKETS



(2) STAKE

PHASE 35

FRAME ASSEMBLY

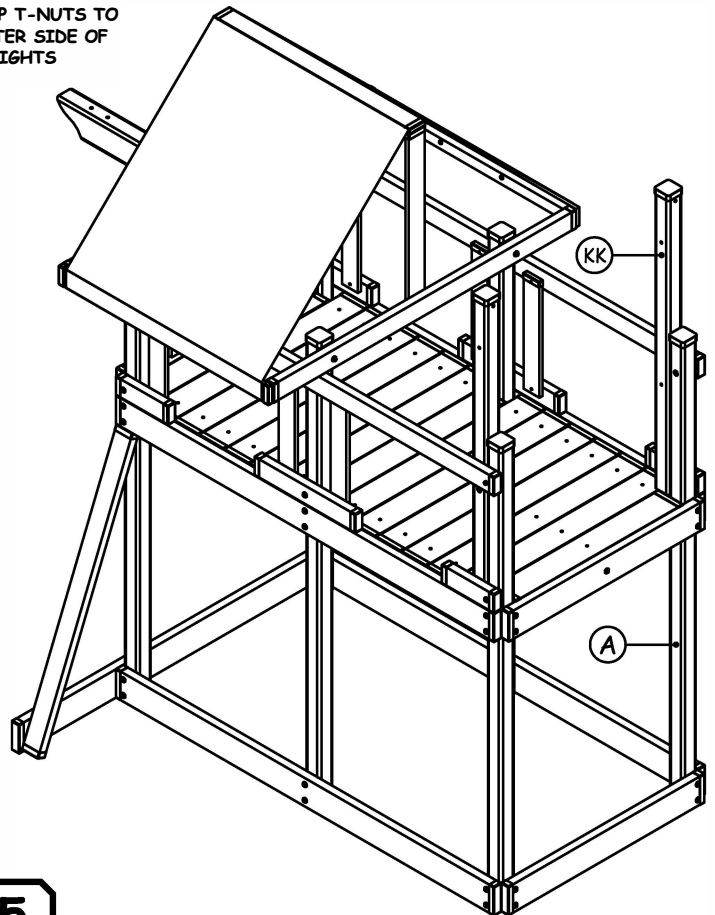
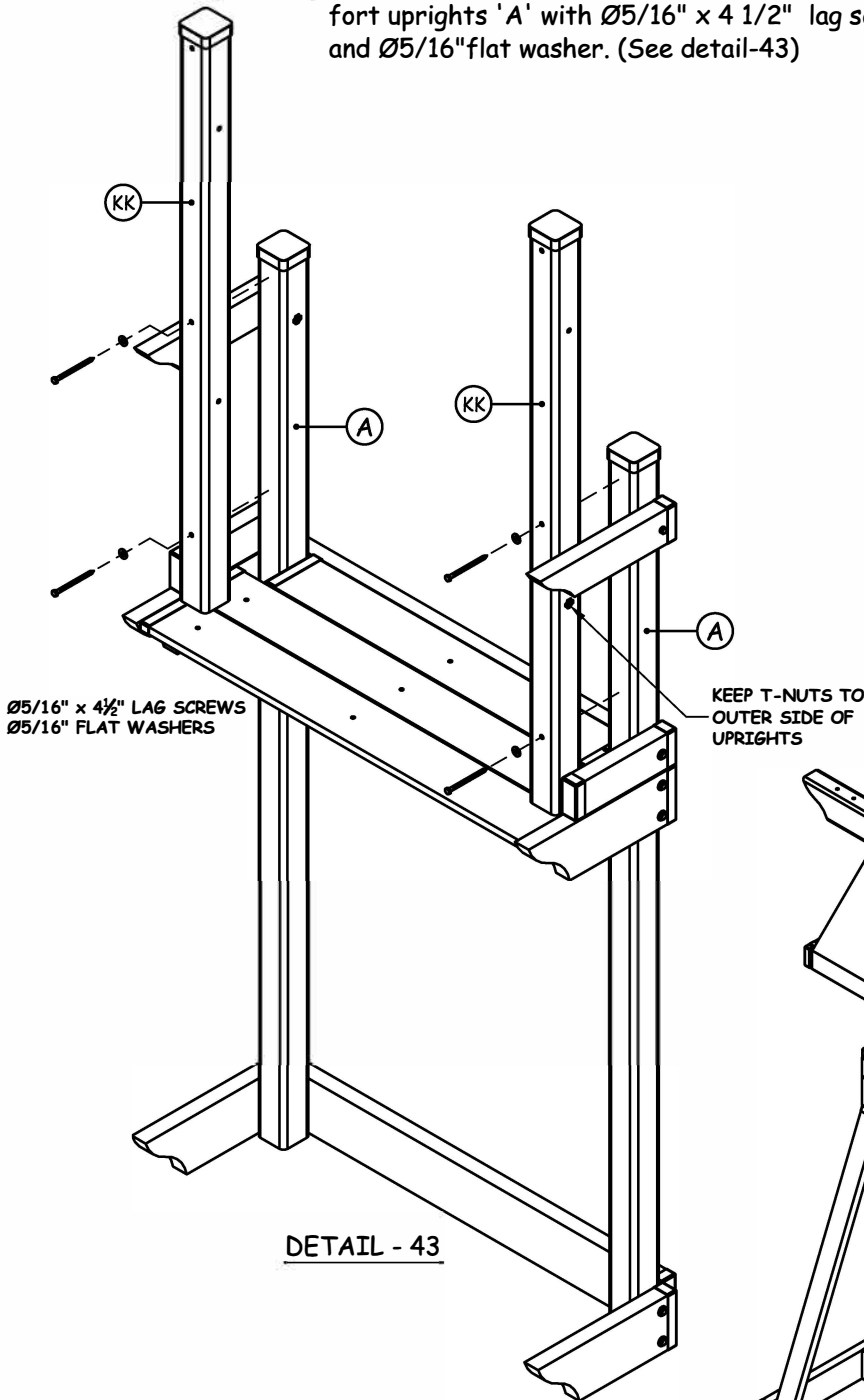
STEP 1: Gather parts and hardware shown in table 35.

STEP 2: Hammer $\varnothing 5/16"$ T-nut to tower uprights 'KK'.
Keep T-nut to outer side of upright as shown below.

STEP 3: Attach tower upright 'KK' to inside of front uprights 'A' with $\varnothing 5/16"$ x $4\ 1/2"$ lag screws and $\varnothing 5/16"$ flat washer. (See detail-43)

TABLE 35 - PARTS AND HARDWARE

ID LETTER	DESCRIPTION	QTY
KK	TOWER UPRIGHTS	2
	$\varnothing 5/16"$ x 5" LAG SCREWS	4
	$\varnothing 5/16"$ FLAT WASHERS	4
	$\varnothing 5/16"$ T-NUTS	2



PHASE 36

FRAME ASSEMBLY - Cont.

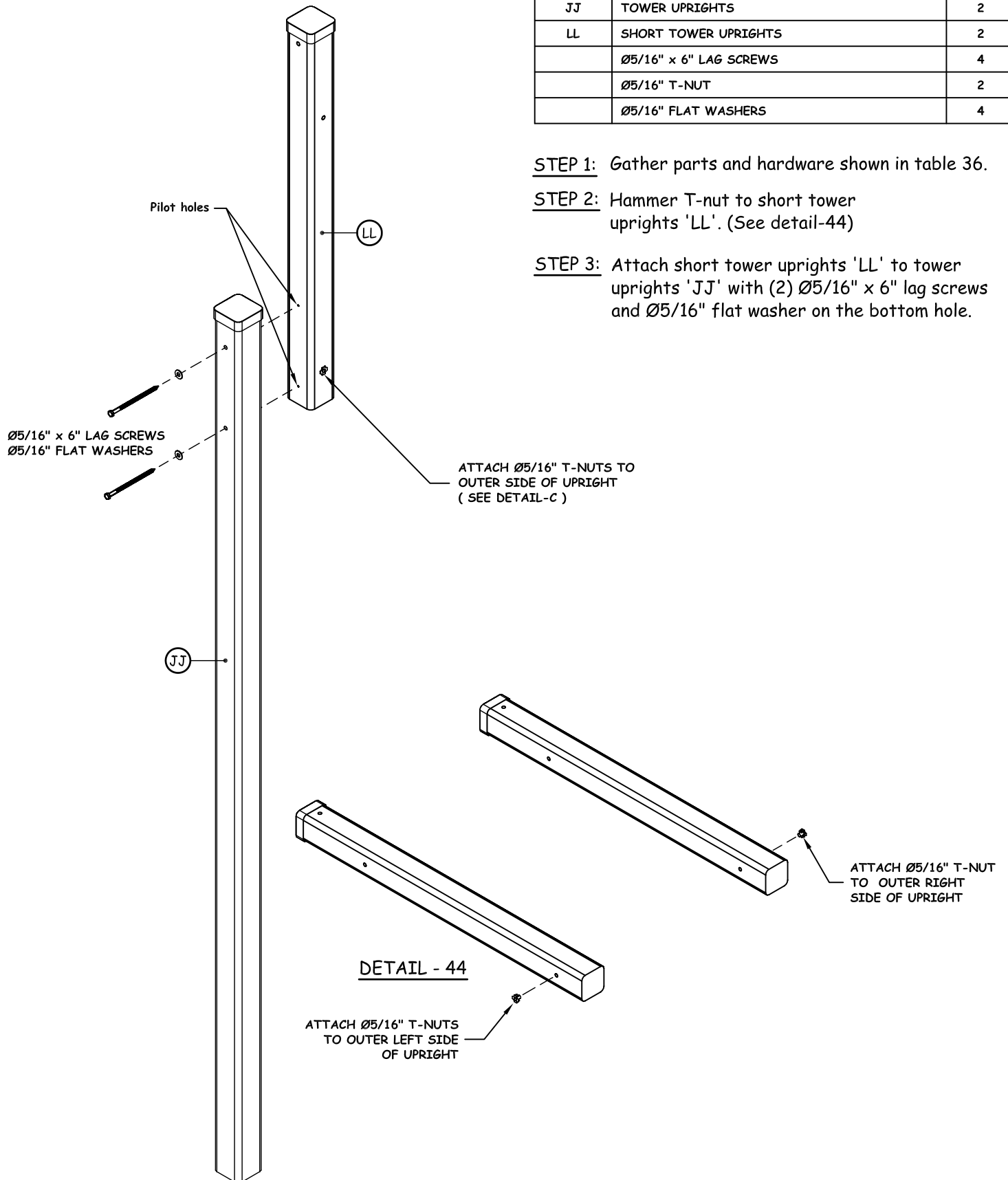
TABLE 36 - PARTS AND HARDWARE

ID LETTER	DESCRIPTION	QTY
JJ	TOWER UPRIGHTS	2
LL	SHORT TOWER UPRIGHTS	2
	Ø5/16" x 6" LAG SCREWS	4
	Ø5/16" T-NUT	2
	Ø5/16" FLAT WASHERS	4

STEP 1: Gather parts and hardware shown in table 36.

STEP 2: Hammer T-nut to short tower uprights 'LL'. (See detail-44)

STEP 3: Attach short tower uprights 'LL' to tower uprights 'JJ' with (2) Ø5/16" x 6" lag screws and Ø5/16" flat washer on the bottom hole.



PHASE 37

FRAME ASSEMBLY - Cont.

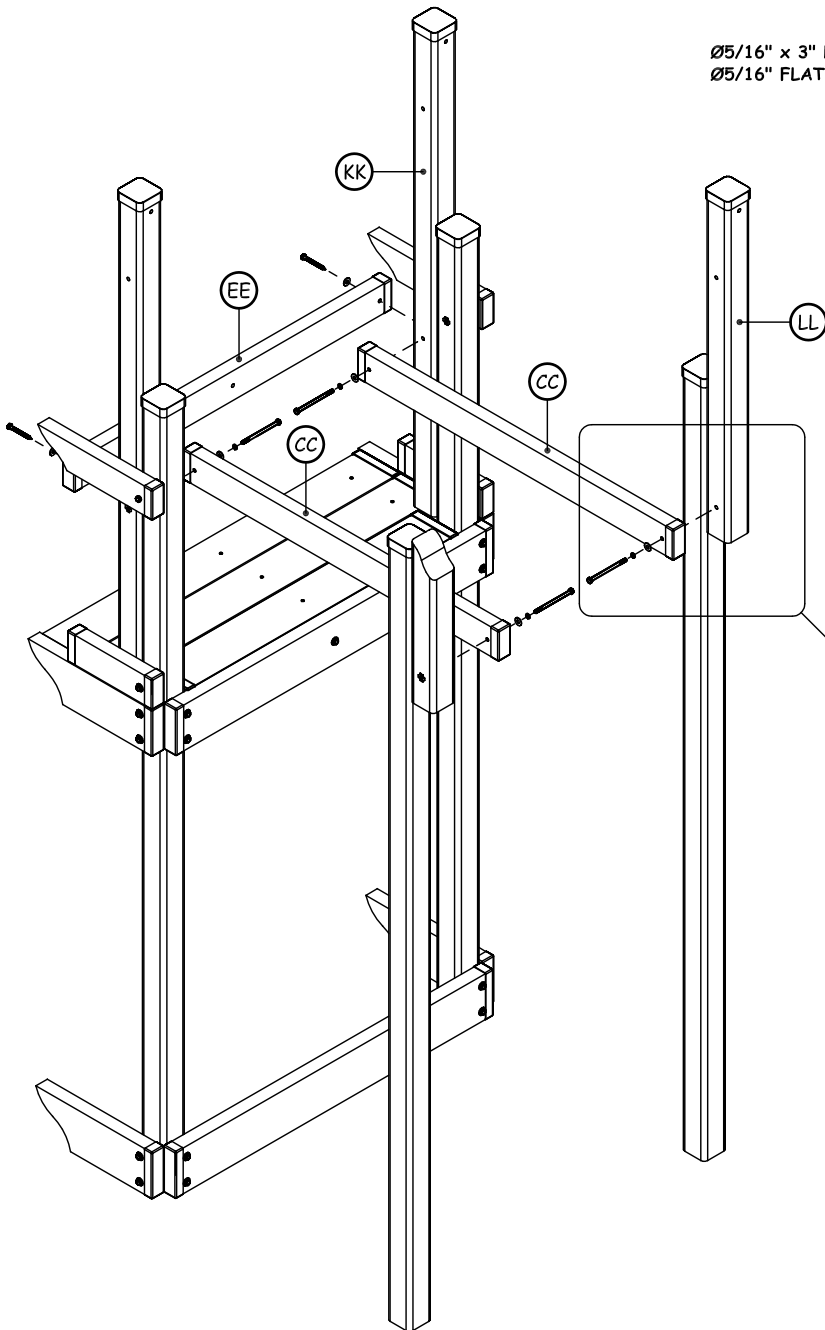
STEP 1: Gather parts and hardware shown in table 37.

STEP 2: Attach floor joist 'CC' to inside of both tower uprights 'KK' and 'LL' with $\varnothing 5/16"$ x 5 1/2" hex bolts and $\varnothing 5/16"$ flat washer. (See detail-45&46)

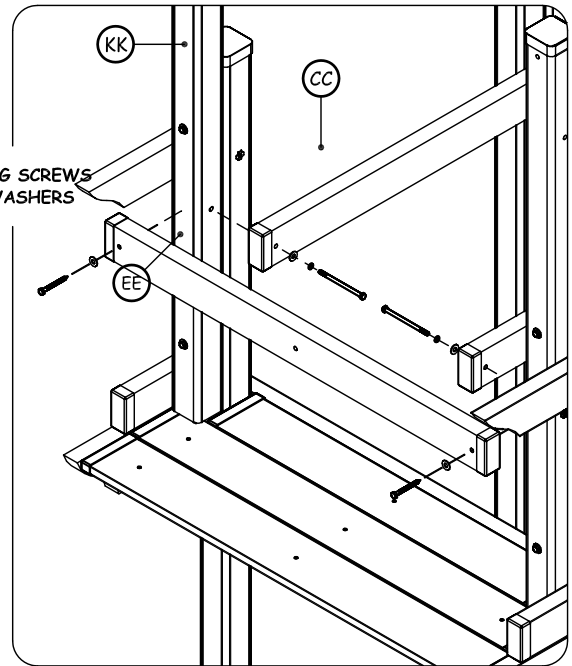
STEP 3: Attach end cap 'EE' to tower uprights 'KK' with $\varnothing 5/16"$ x 3" lag screw and $\varnothing 5/16"$ flat washer. Flush the top of end cap 'EE' to the top of floor joist 'CC'. (See detail-45)

TABLE 37 - PARTS AND HARDWARE

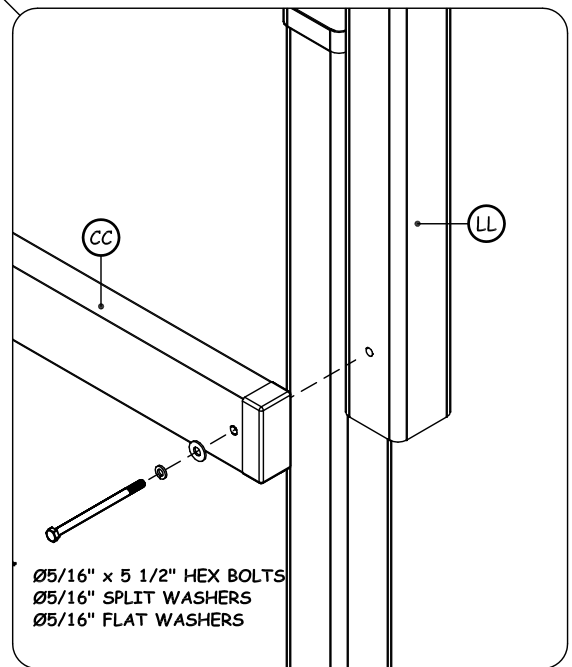
ID LETTER	DESCRIPTION	QTY
CC	FLOOR JOIST	2
EE	END CAP	1
	$\varnothing 5/16"$ X 5 1/2" HEX BOLTS	4
	$\varnothing 5/16"$ FLAT WASHERS	6
	$\varnothing 5/16"$ SPLIT WASHERS	4
	$\varnothing 5/16"$ X 3" LAG SCREWS	2



$\varnothing 5/16"$ x 3" LAG SCREWS
 $\varnothing 5/16"$ FLAT WASHERS



DETAIL - 45



$\varnothing 5/16"$ x 5 1/2" HEX BOLTS
 $\varnothing 5/16"$ SPLIT WASHERS
 $\varnothing 5/16"$ FLAT WASHERS

DETAIL - 46

PHASE 38

FRAME ASSEMBLY - Cont.

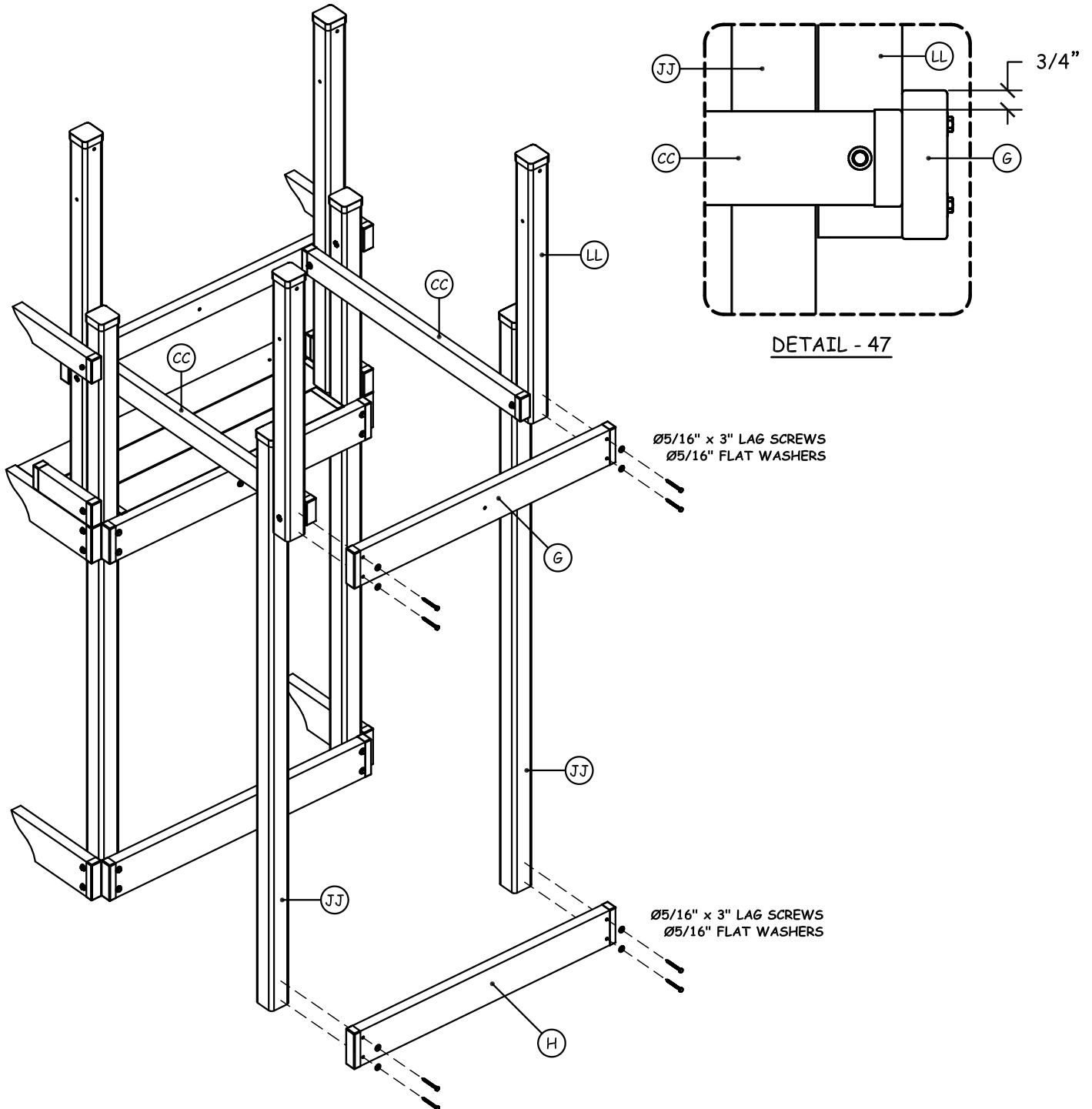
STEP 1: Gather parts and hardware shown in table 38.

STEP 2: Attach end cap 'G' to tower uprights 'LL' 3/4" above floor joist 'CC' with $\varnothing 5/16"$ x 3" hex bolts and $\varnothing 5/16"$ flat washers. (See detail-47)

STEP 3: Attach sandbox board 'H' to tower uprights 'JJ' with $\varnothing 5/16"$ x 3" hex bolts and $\varnothing 5/16"$ flat washers.

TABLE 38 - PARTS AND HARDWARE

ID LETTER	DESCRIPTION	QTY
G	END CAP	1
H	SANDBOX BOARD	1
	$\varnothing 5/16"$ x 3" LAG SCREWS	8
	$\varnothing 5/16"$ FLAT WASHERS	8



PHASE 39

FRAME ASSEMBLY - Cont.

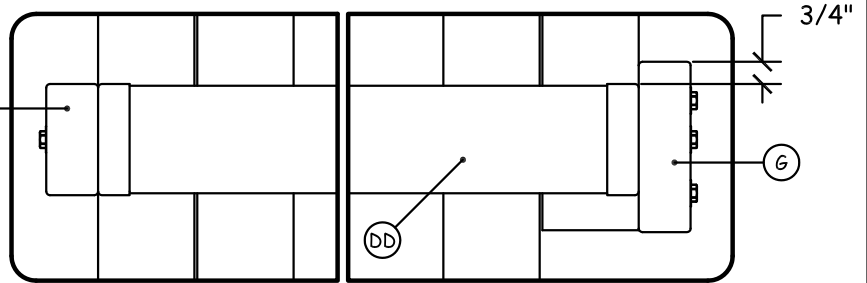
TABLE 39 - PARTS AND HARDWARE

ID LETTER	DESCRIPTION	QTY
BB	END CAPS	2
DD	FLOOR JOIST	1
	Ø5/16" X 3" LAG SCREWS	10
	Ø5/16" FLAT WASHERS	10

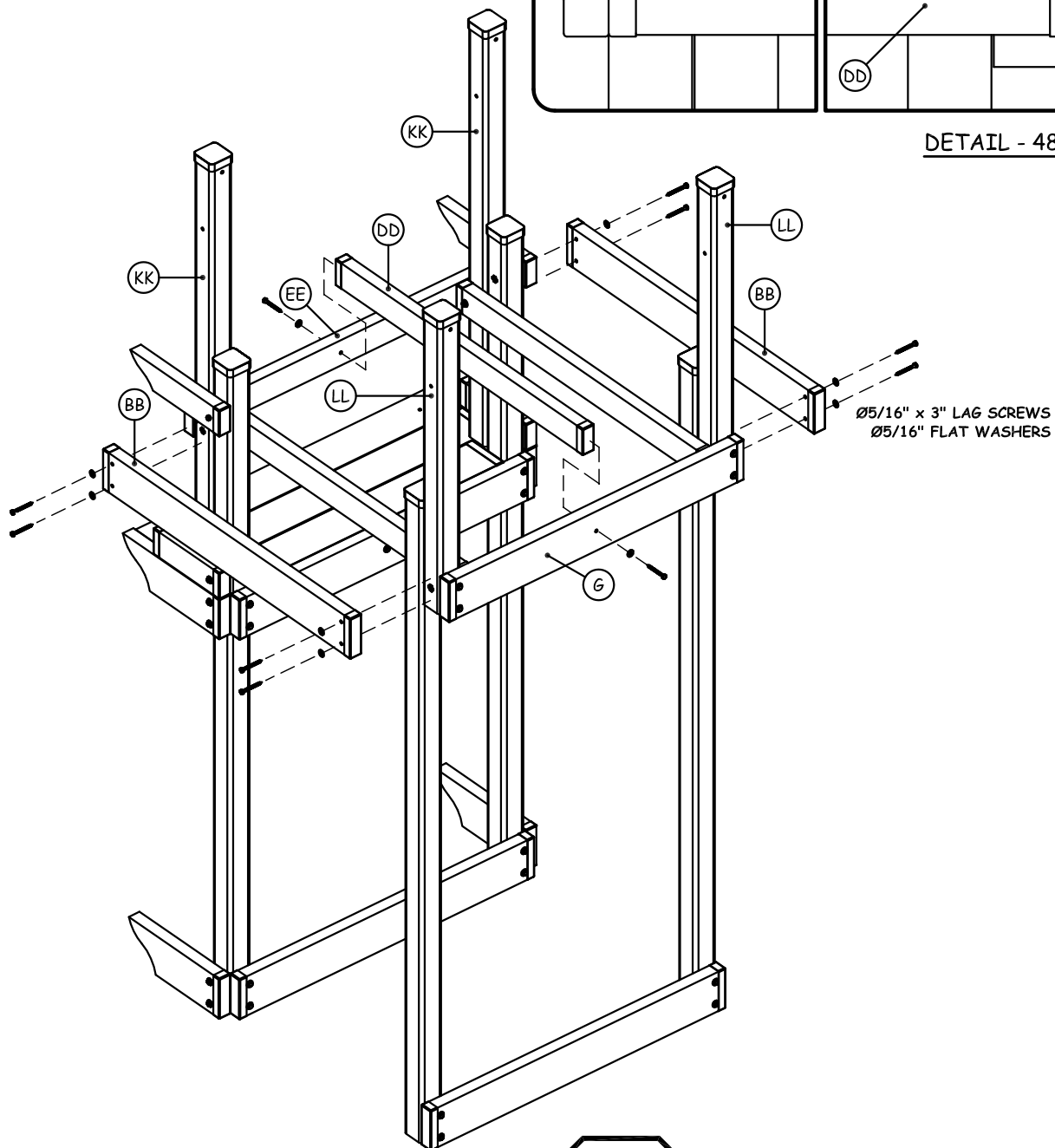
STEP 1: Gather parts and hardware shown in table 39.

STEP 2: Attach wall rails 'BB' to tower uprights 'KK' and 'LL' with Ø5/16" x 3" lag screws and Ø5/16" flat washers.

STEP 3: Attach floor joist 'DD' 3/4" below the top of end of cap 'G' and flush with top of wall rail 'EE' with Ø5/16" x 3" lag screws and Ø5/16" flat washers. (See detail-48)



DETAIL - 48



PHASE 40

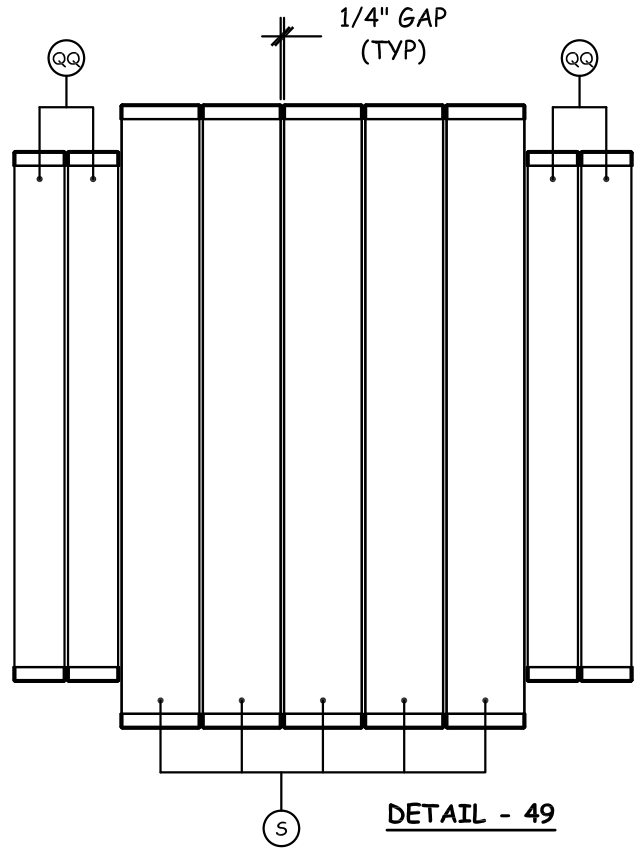
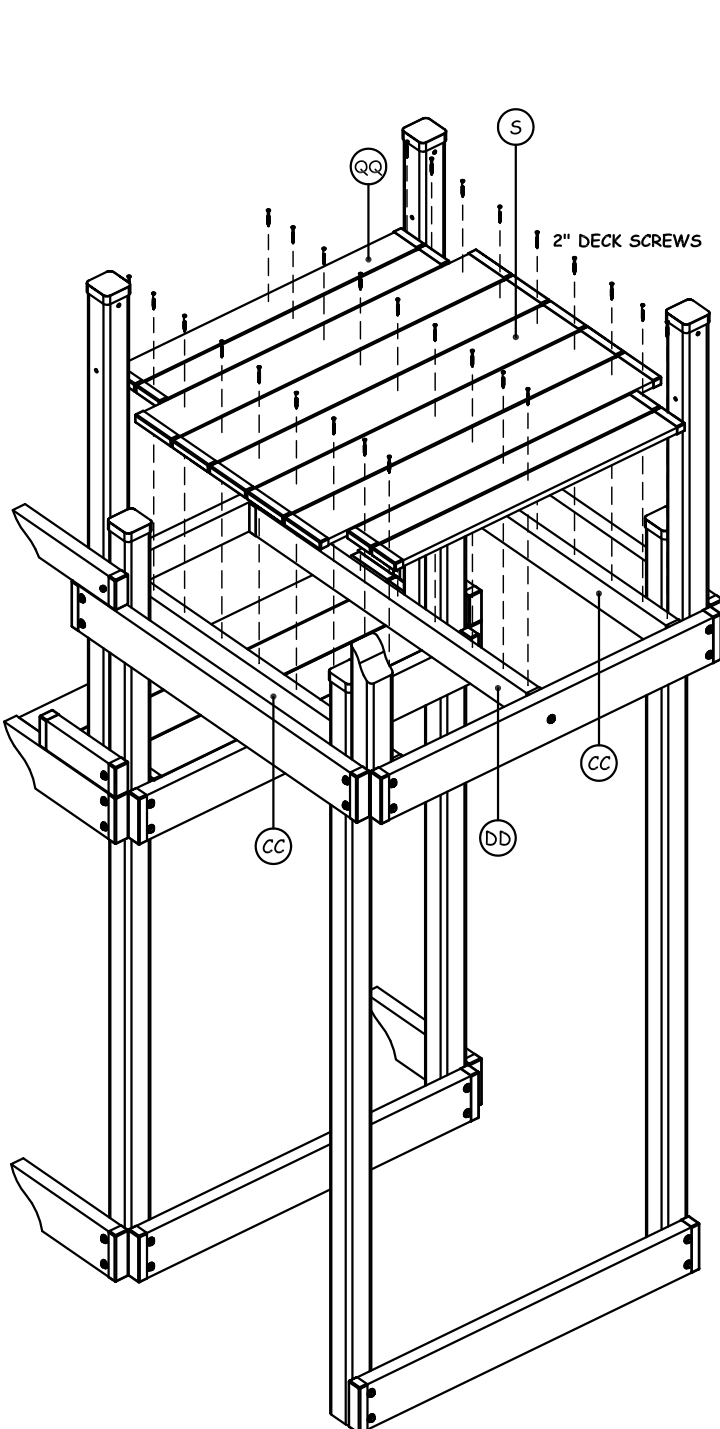
FLOOR BOARDS ATTACHMENT

TABLE 40 - PARTS AND HARDWARE

ID LETTER	DESCRIPTION	QTY
S	FLOOR BOARDS	5
QQ	END FLOOR BOARDS	4
	2" DECK SCREWS	27

STEP 1: Gather parts and hardware shown in table 40.

STEP 2: Place end floor board 'QQ' and floor board 'S' on floor support 'CC' and 'DD' leaving about 1/4" spacing between each board as shown in detail-49 and attach floor board with 2" deck screws.



PHASE 41

WALL RAILS ATTACHMENT

STEP 1: Gather parts and hardware shown in table 41.

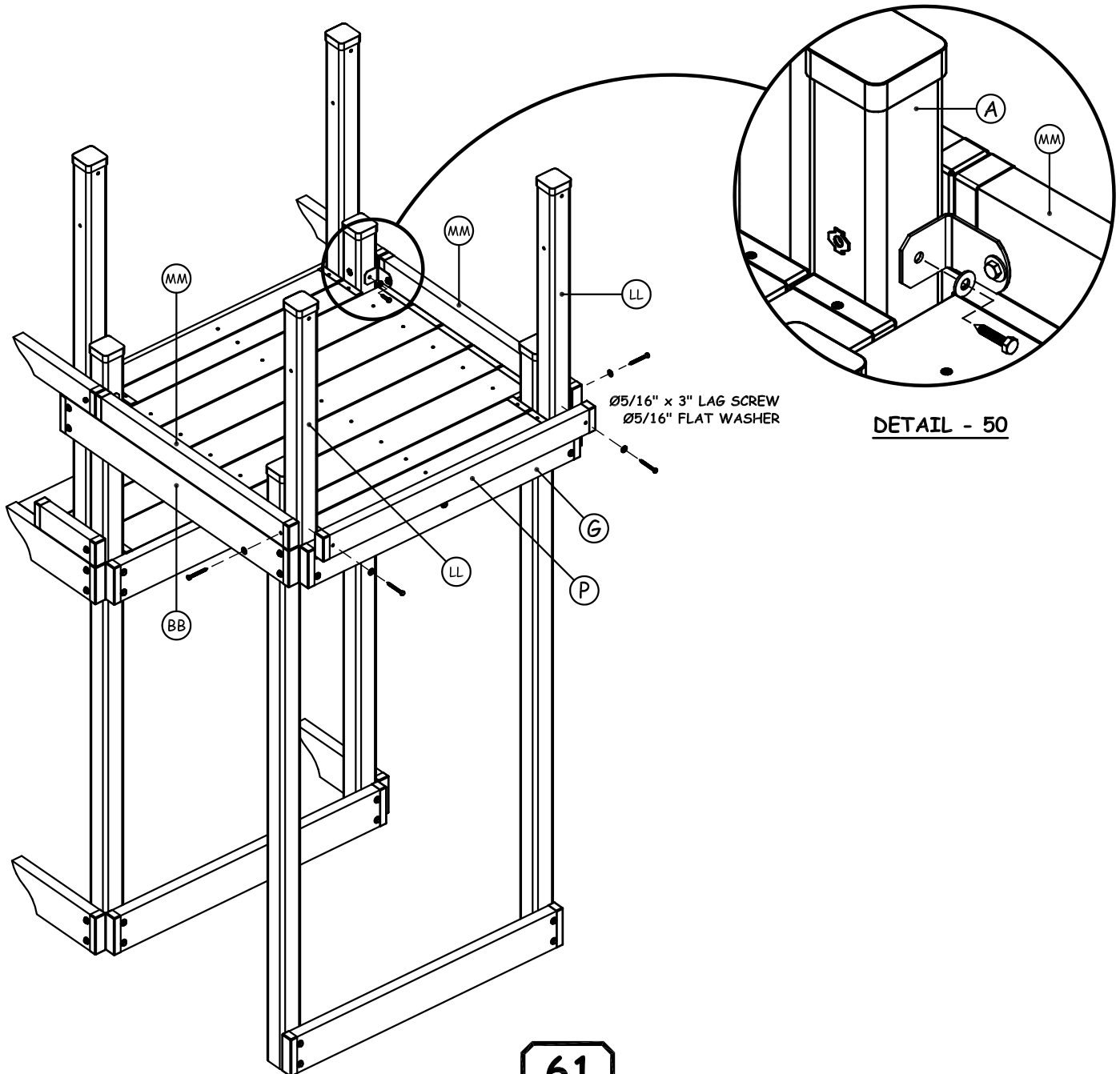
STEP 2: Place wall rails 'MM' above wall cap 'BB' and attach with $\varnothing 5/16"$ x 3" lag screws and $\varnothing 5/16"$ flat washer to tower uprights 'LL'.

STEP 3: Place L-bracket on the floor board, attach L-bracket to tower upright 'A' and wall rail 'MM' with $\varnothing 5/16"$ x 1-1/2" lag screws and $\varnothing 5/16"$ flat washers. (See Detail-50)

TABLE 41 - PARTS AND HARDWARE

ID LETTER	DESCRIPTION	QTY
MM	WALL RAILS	2
P	WALL RAIL	1
	$\varnothing 5/16"$ X 3" LAG SCREWS	4
	$\varnothing 5/16"$ X 1-1/2" LAG SCREWS	4
	$\varnothing 5/16"$ FLAT WASHERS	8
	L-BRACKETS	2

STEP 4: Place wall rail 'P' on end cap 'G' attach to tower upright 'LL' and wall rail 'MM' with $\varnothing 5/16"$ x 3" lag screws and $\varnothing 5/16"$ flat washers.



PHASE 42

WALL RAILS ATTACHMENT - Cont.

TABLE 42 - PARTS AND HARDWARE

ID LETTER	DESCRIPTION	QTY
P	WALL RAILS	5
	Ø5/16" x 3" LAG SCREWS	6
	Ø5/16" x 5 1/2" HEX BOLTS	4
	Ø5/16" FLAT WASHERS	10
	Ø5/16" SPLIT WASHERS	4

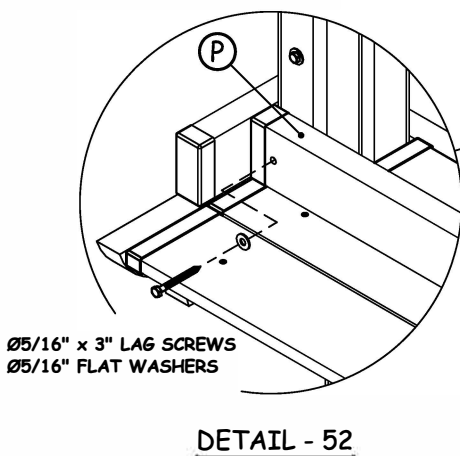
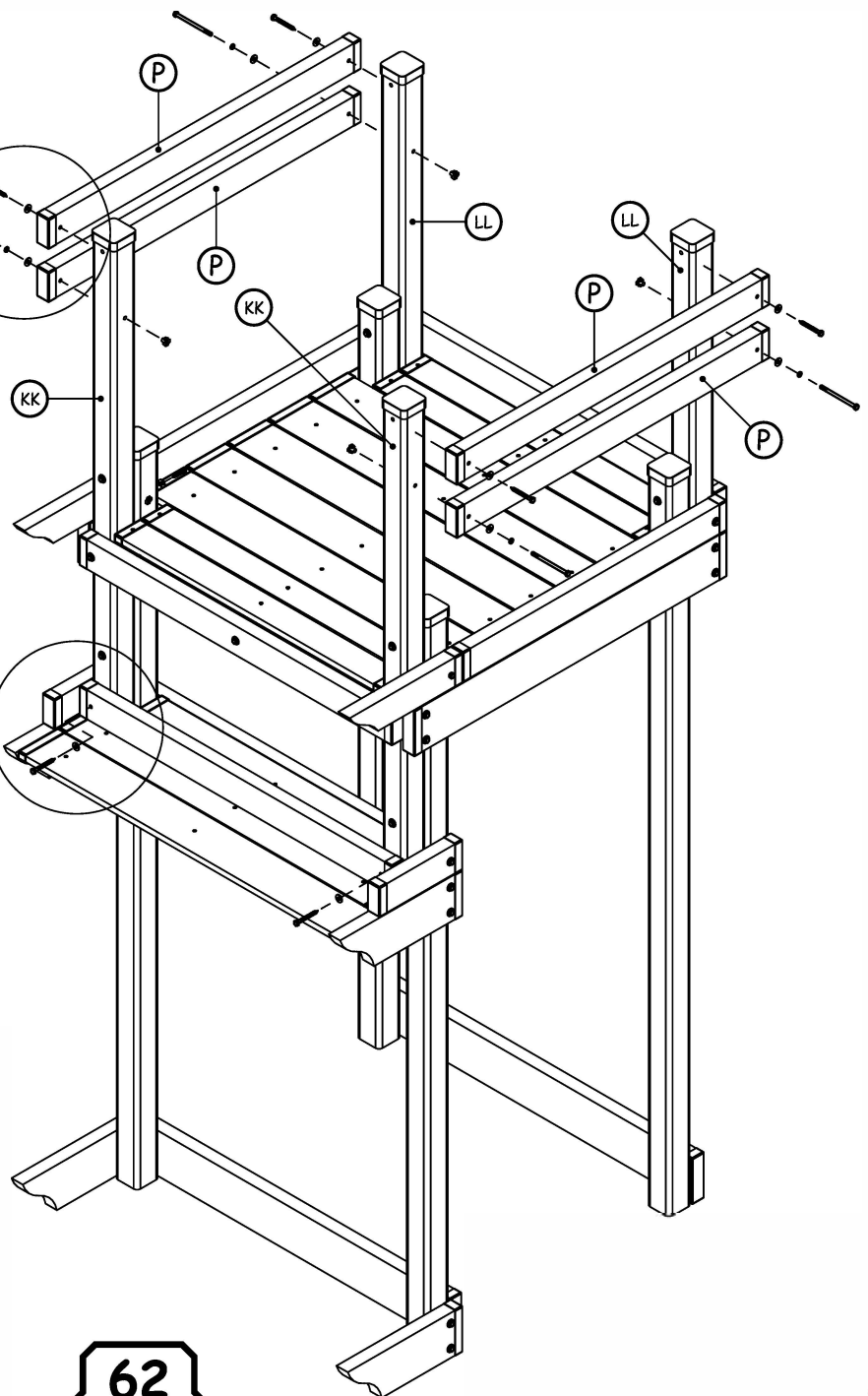
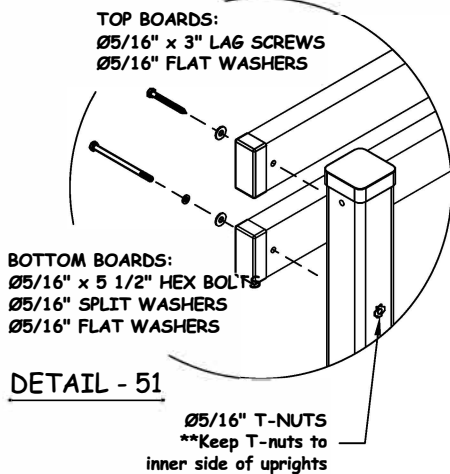
STEP 1: Gather parts and hardware shown in table 42.

STEP 2: Hammer Ø5/16" T-nuts to tower uprights 'KK' and 'LL' keep t-nuts to inner side of uprights. (See Detail-51)

STEP 3: Attach wall rails 'P' to tower upright 'KK' and 'LL' with Ø5/16" x 5 1/2" hex bolts and Ø5/16" flat washers. (See Detail-51)

STEP 4: Attach wall rails 'P' to tower upright 'KK' and 'LL' with Ø5/16" x 3" lag screws and Ø5/16" flat washers. (See Detail-51)

Ø5/16" T NUT (4)



STEP 5: Place wall rail 'P' on floor board 'S' and attach to tower uprights 'KK' with Ø5/16" x 3" lag screws and Ø5/16" flat washers. (See Detail-52)

PHASE 43

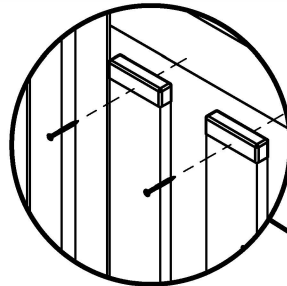
WALL SLATS ATTACHMENT

TABLE 43 - PARTS AND HARDWARE

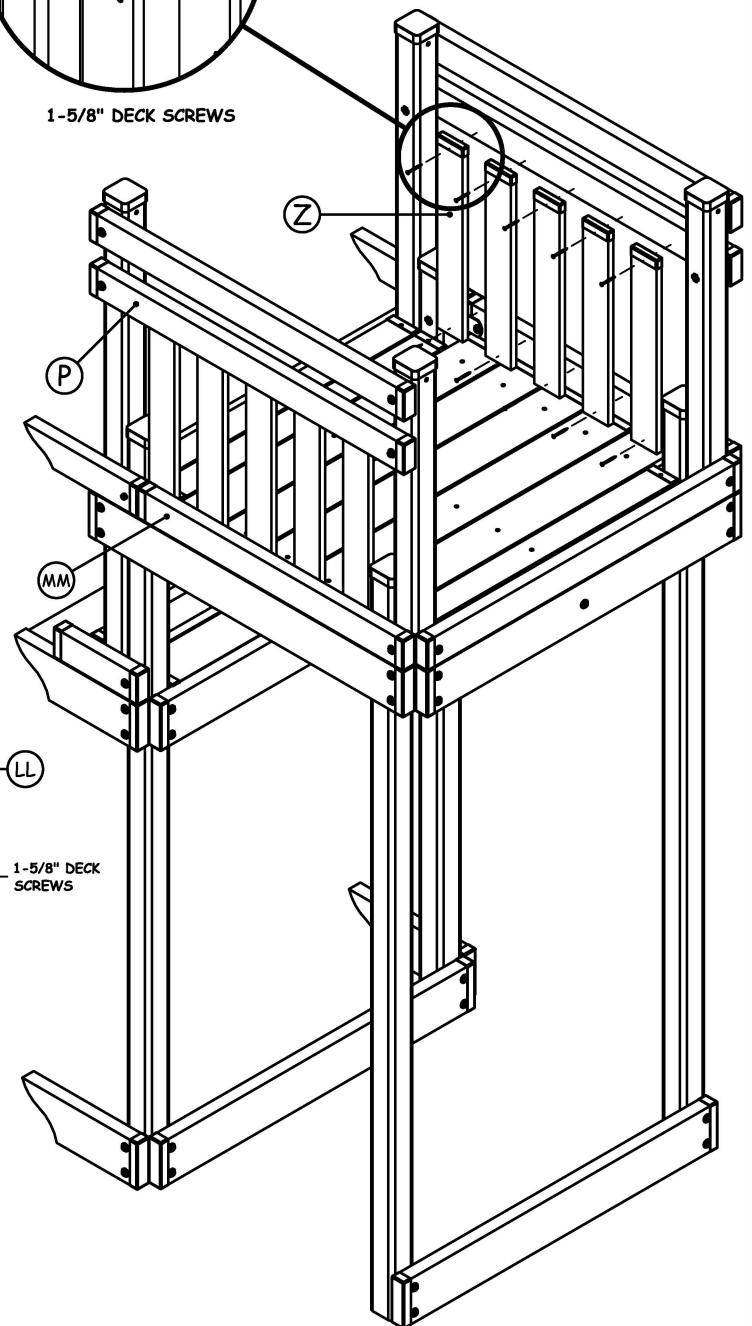
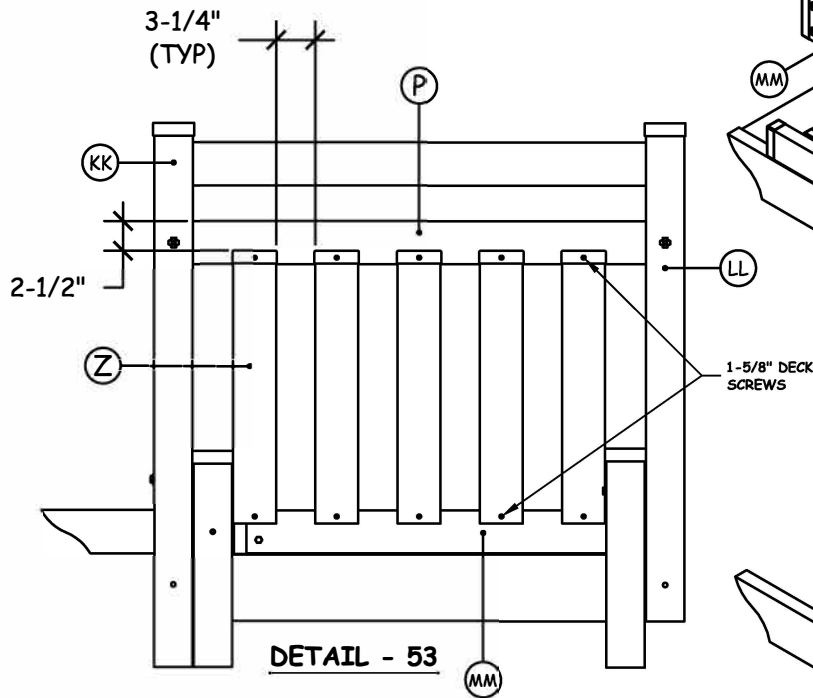
LETTER	DESCRIPTION	QTY
Z	WALL SLATS	10
	1-5/8" DECK SCREWS	20

STEP 1: Gather parts and hardware shown in table 43.

STEP 2: Attach wall slats 'Z' to wall rails 'P' and 'MM' with 1-5/8" deck screws. (See Detail-53)



1-5/8" DECK SCREWS



PHASE 44

WALL SLATS ATTACHMENT - Cont.

STEP 1: Gather parts and hardware shown in table 44.

STEP 2: Attach wall slats 'HH' to ladder wall slats 'II' with 2" deck screws. (See Detail-54)

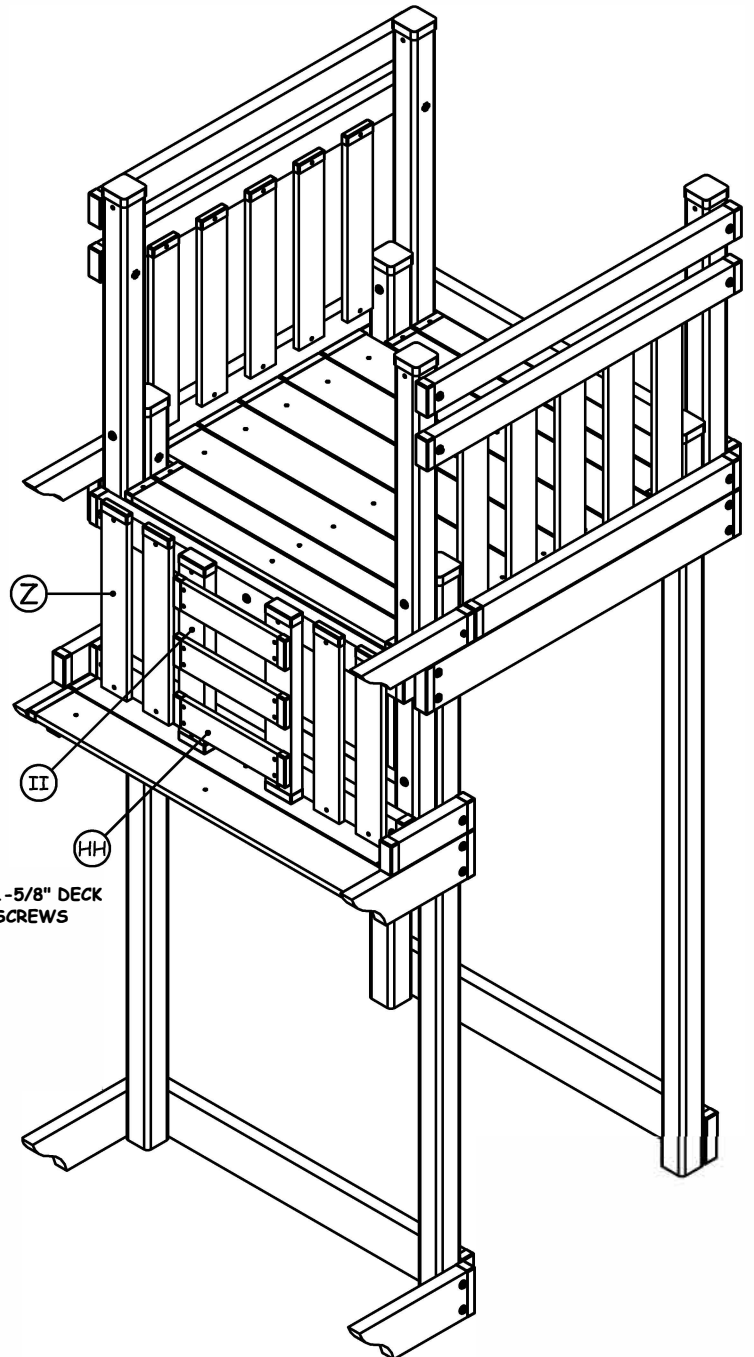
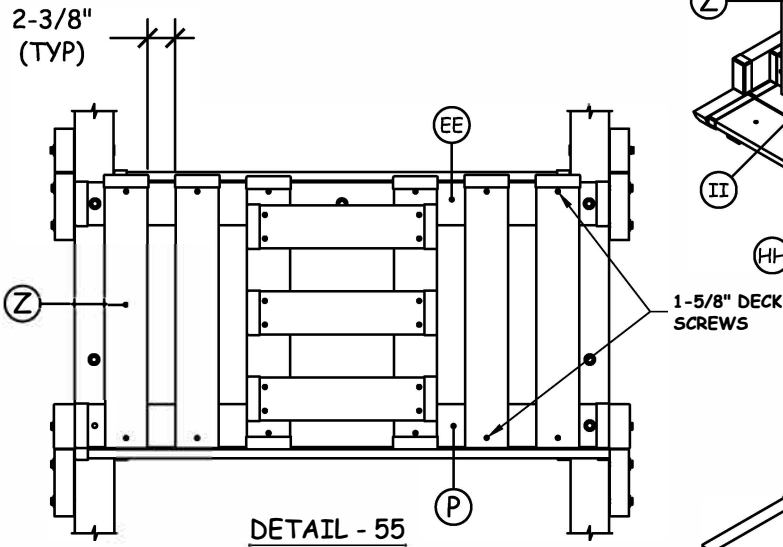
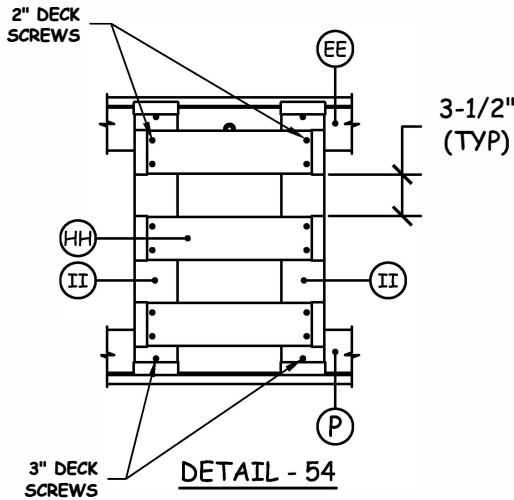
STEP 3: Center ladder assembly in wall opening and with 3" deck screws. (See Detail-54)

STEP 4: Attach wall slat 'Z23' to wall caps 'P' and 'EE' with 1-5/8" deck screws. (See Detail-55)

TABLE 44 - PARTS AND HARDWARE

ID LETTER	DESCRIPTION	QTY
ZZ	WALL SLATS	4
HH	LADDER SLATS	3
II	LADDER WALL SLATS	2
	3" DECK SCREWS	4
	1-5/8" DECK SCREWS	8

2" DECK SCREWS (12)



PHASE 45

TARP SUPPORT ASSEMBLY

If you have the wood roof upgrade skip Phase 45 and 47 and attach only the M boards to KK and L L as shown in Phase 46

TABLE 45 - PARTS AND HARDWARE

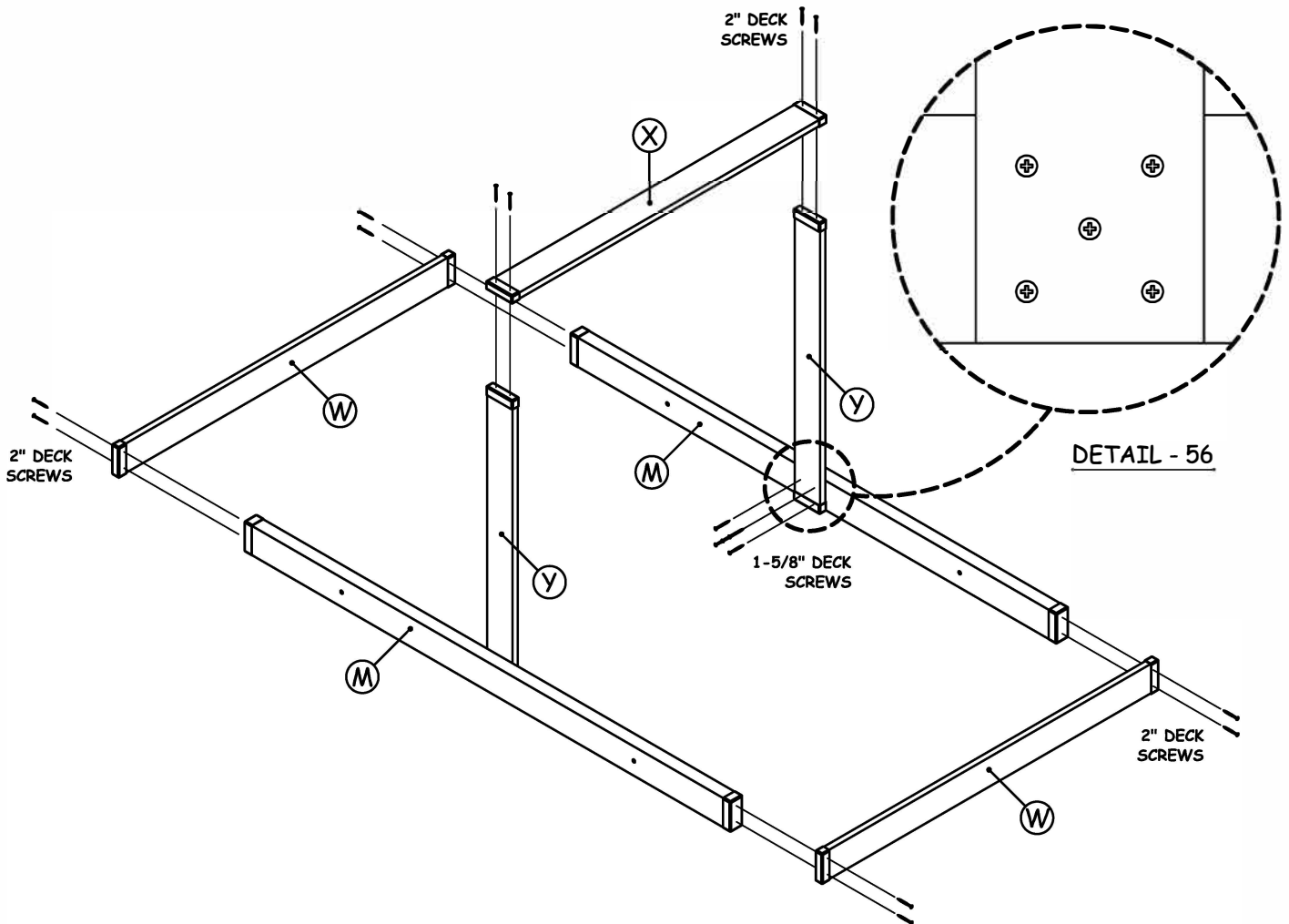
ID LETTER	DESCRIPTION	QTY
M	TARP SUPPORTS	2
W	TARP END CAPS	2
X	TARP TOP SUPPORT	1
Y	TARP UPRIGHTS	2
	2" DECK SCREWS	12
	1-5/8" DECK SCREWS	10

STEP 1: Gather parts and hardware shown in table 45.

STEP 2: Attach tarp end caps 'W' to end tarp support 'M' with 2" deck screws.

STEP 3: Center tarp uprights 'Y' on tarp support 'M' and attach with 1-5/8" deck screws. (See detail-56)

STEP 4: Attach tarp support 'X' to tarp uprights 'Y'



PHASE 46

TARP ASSEMBLY ATTACHMENT

TABLE 46 - PARTS AND HARDWARE

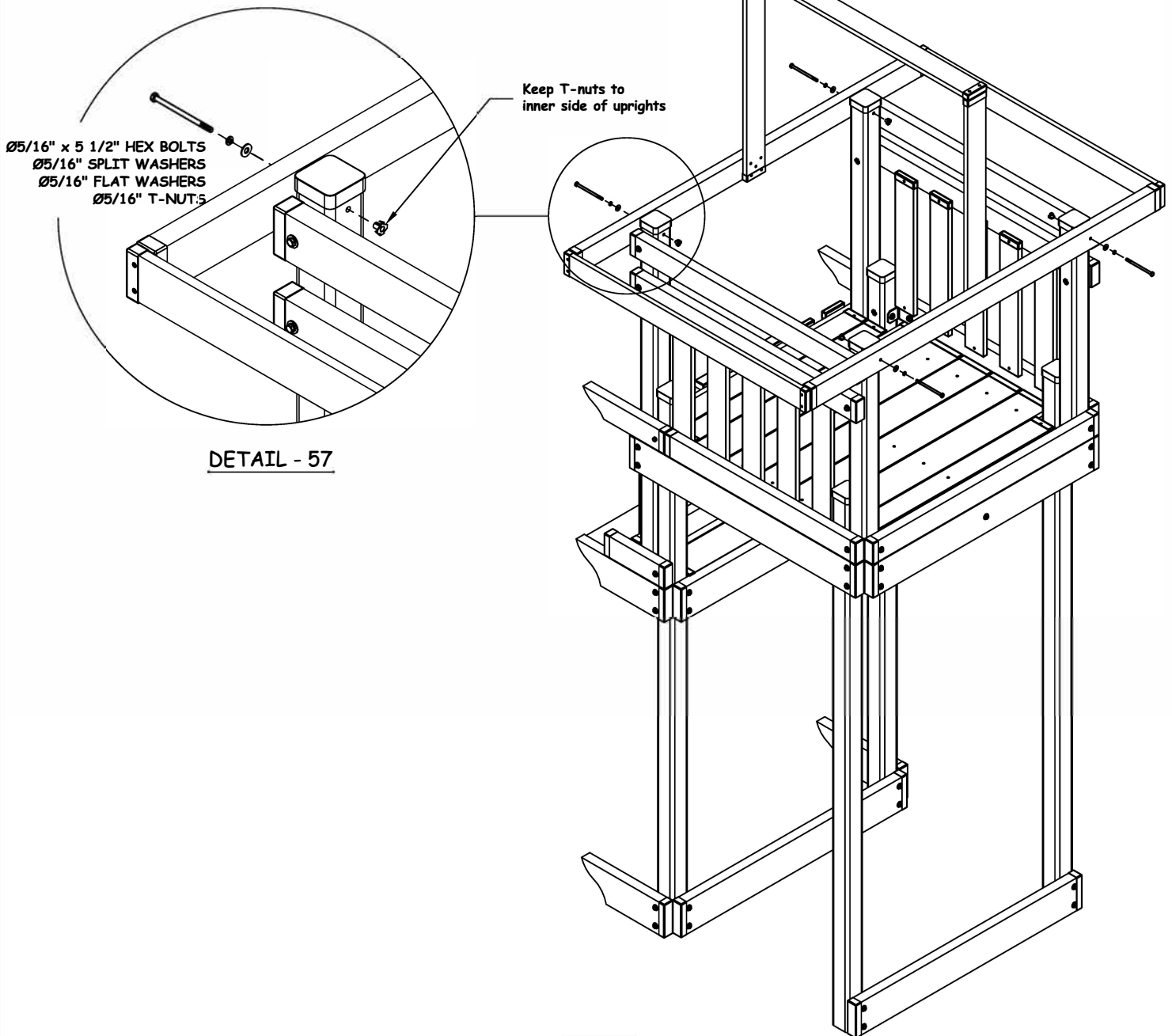
ID LETTER	DESCRIPTION	QTY
	Ø5/16" x 5 1/2" HEX BOLTS	4
	Ø5/16" SPLIT WASHERS	4
	Ø5/16" FLAT WASHERS	4
	Ø5/16" T-NUTS	4

STEP 1: Gather parts and hardware shown in table 46.

NOTE: An adult helper is required with assembly.

STEP 2: Hammer T-nuts to inner side of tower uprights 'KK' and 'LL'.
(See Detail-57)

STEP 3: Attach tarp assembly to tower uprights with Ø5/16" x 5 1/2" hex bolts, Ø5/16" split washers, Ø5/16" flat washers and Ø5/16" t-nuts.

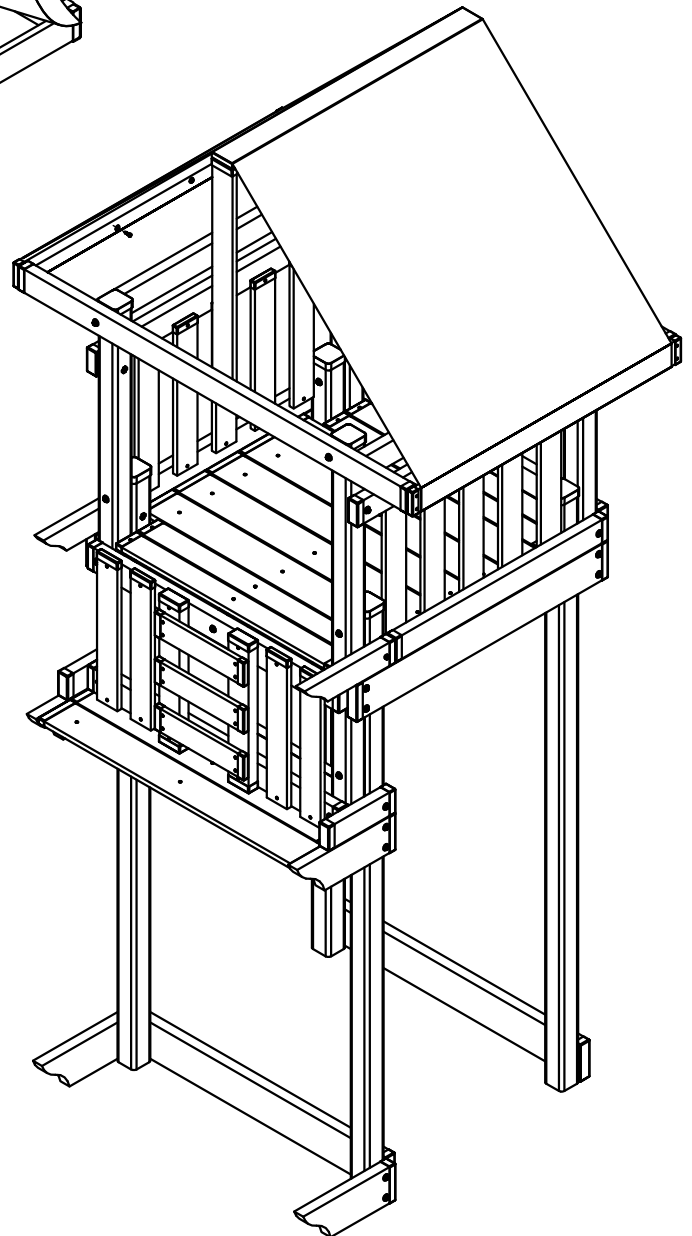
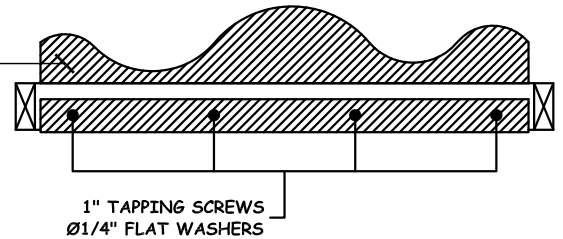
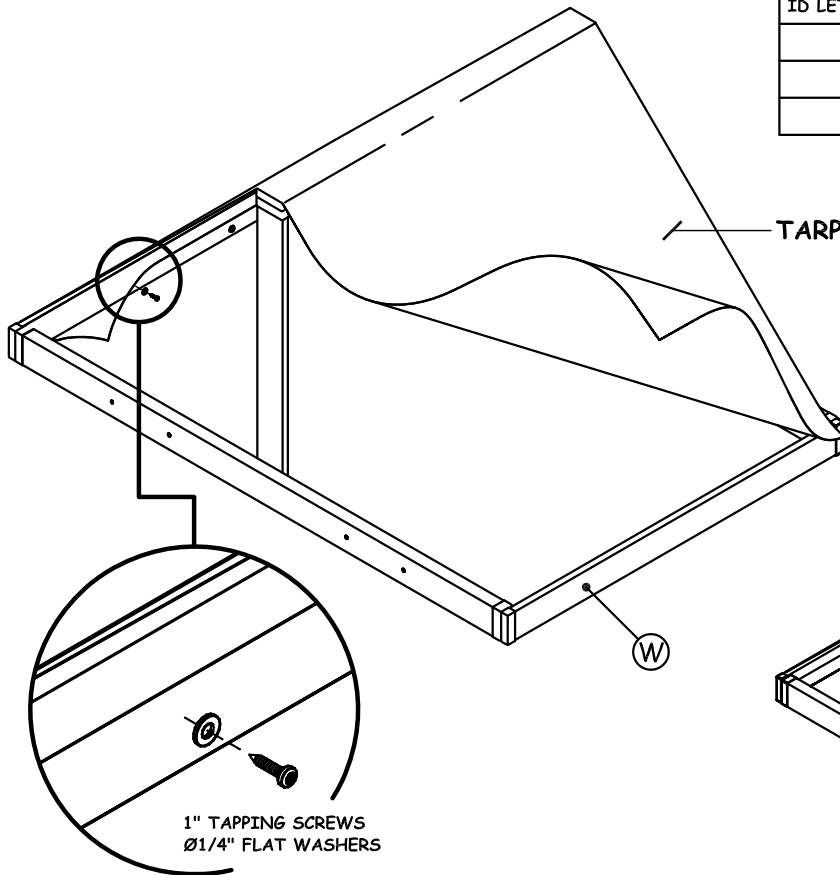


PHASE 47

TARP ATTACHMENT

TABLE 47 - PARTS AND HARDWARE

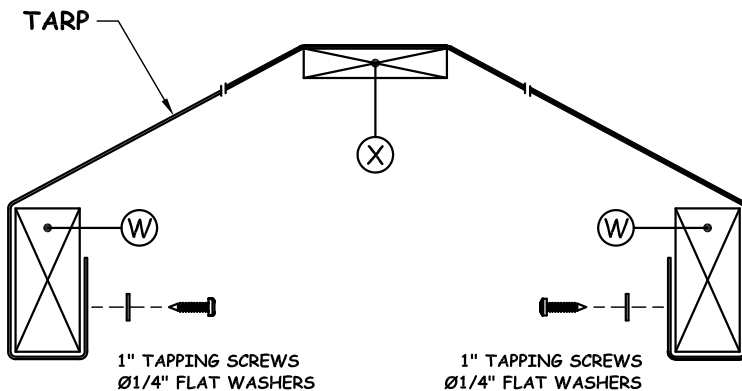
ID LETTER	DESCRIPTION	QTY
	TARP	1
	#12 x 1" TAPPING SCREWS	8
	Ø1/4" FLAT WASHERS	8



STEP 1: Gather parts and hardware shown in table 47.

STEP 2: Drape tarp over tarp support 'X' and end caps 'W' attach one side of tarp to inside of end cap 'W' with 1" tapping screws and Ø1/4" flat washers.

STEP 3: Pull other side of tarp tight and attach to other end cap 'W' with 1" tapping screws and Ø1/4" flat screws.



PHASE 48

PICNIC TABLE ATTACHMENT

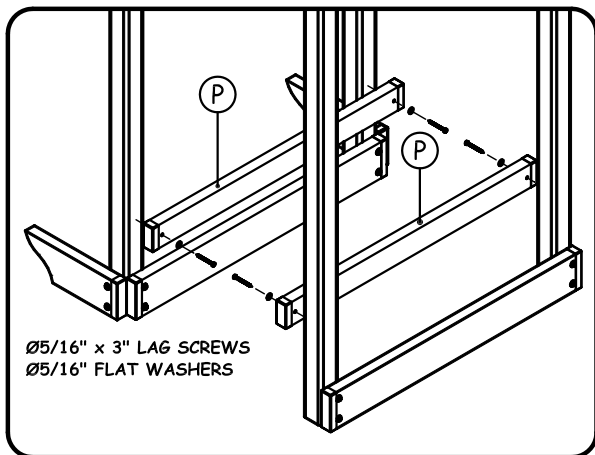
STEP 1: Gather parts and hardware shown in table 48.

STEP 2: Attach wall rails 'P' to fort/tower uprights with $\varnothing 5/16"$ x 3" lag screws and $\varnothing 5/16"$ flat washers. 12" from the bottom of fort/tower uprights. (See Detail-58&59)

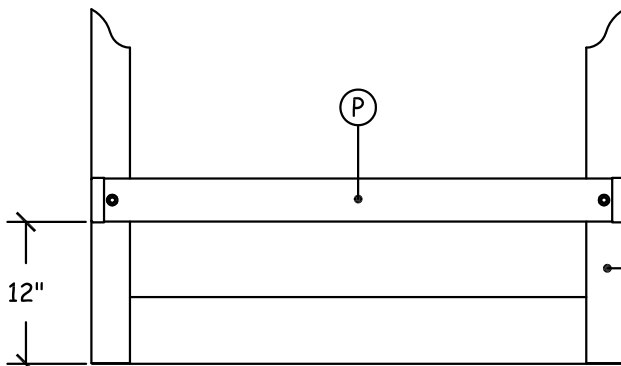
STEP 3: Attach picnic bench 'DD' to wall rails 'P' with 2" deck screws.

TABLE 48 - PARTS AND HARDWARE

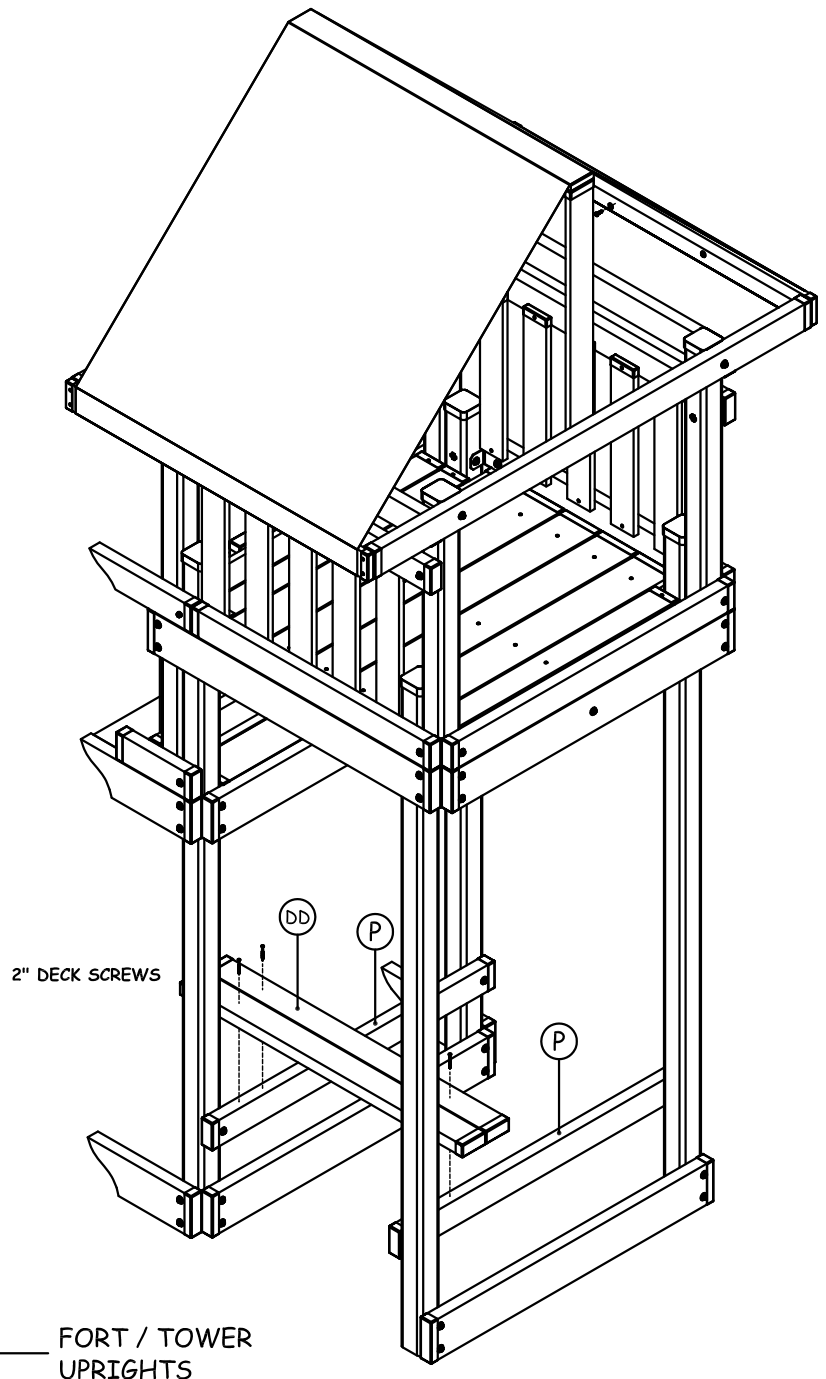
ID LETTER	DESCRIPTION	QTY
P	WALL RAIL	2
DD	PICNIC BENCH	2
	$\varnothing 5/16"$ x 3" LAG SCREWS	4
	$\varnothing 5/16"$ FLAT WASHERS	4
	2" DECK SCREWS	4



DETAIL - 58



DETAIL - 59



PHASE 49

PICNIC TABLE ATTACHMENT - Cont.

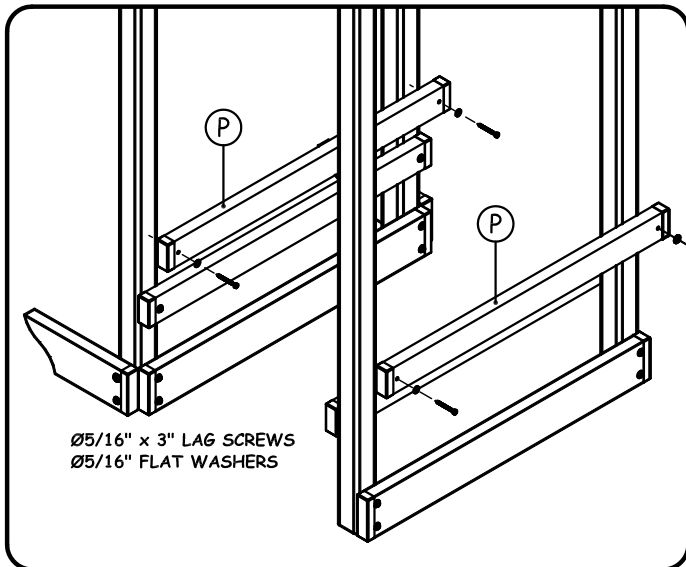
STEP 1: Gather parts and hardware shown in table 49.

STEP 2: Attach first wall rails 'P' to fort/tower uprights with $\varnothing 5/16"$ x 3" lag screws and $\varnothing 5/16"$ flat washers. 25" from the bottom of fort/tower uprights. (See Detail-61)

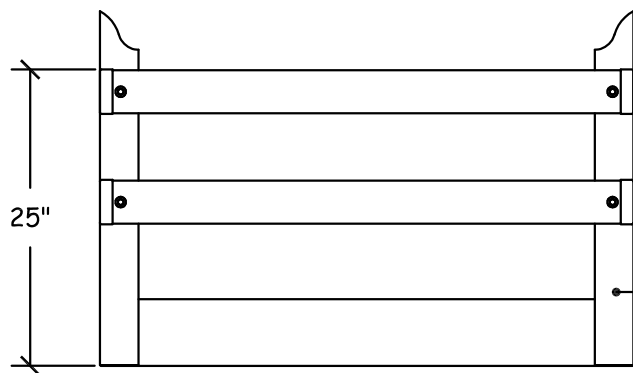
STEP 3: Attach picnic table top boards 'S' to wall rails 'P' with 2" deck screws.

TABLE 49 - PARTS AND HARDWARE

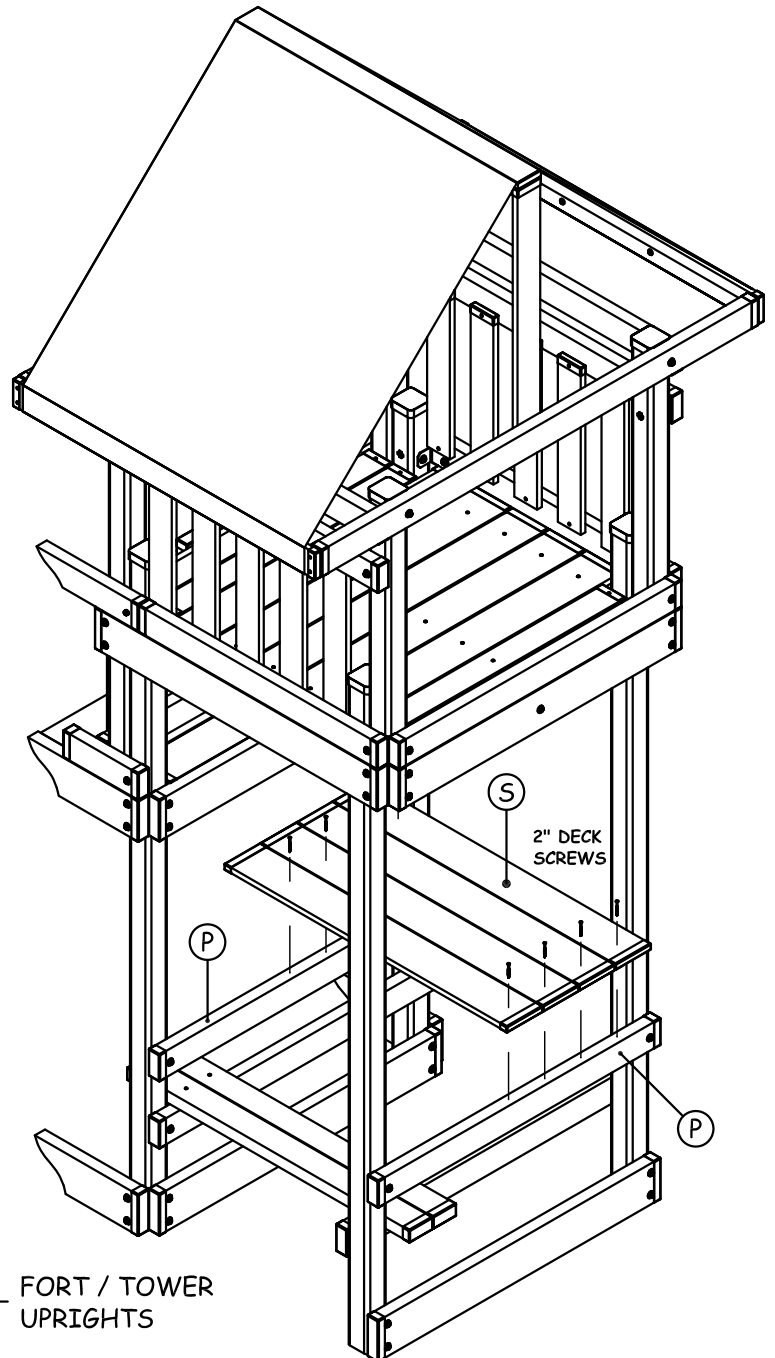
ID LETTER	DESCRIPTION	QTY
P	WALL RAILS	2
S	PICNIC TABLE TOP BOARDS	4
	$\varnothing 5/16"$ x 3" LAG SCREWS	4
	$\varnothing 5/16"$ FLAT WASHERS	4
	#6 x 2 1/2" DECK SCREWS	8



DETAIL - 60



DETAIL - 61



PHASE 50

TURBO WALL SLATS ATTACHMENT

STEP 1: Gather parts and hardware shown in table 50.

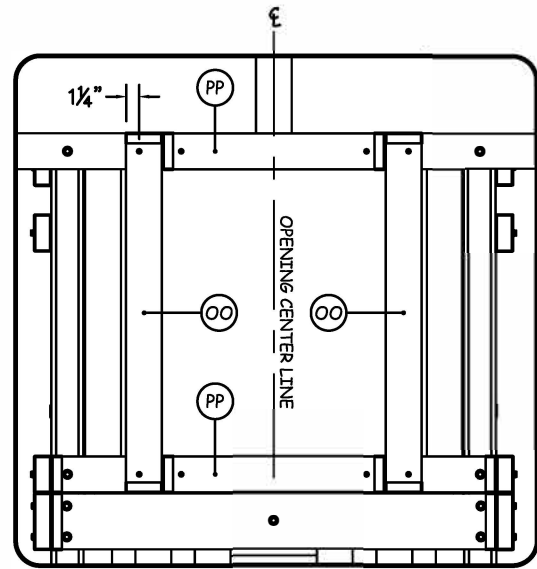
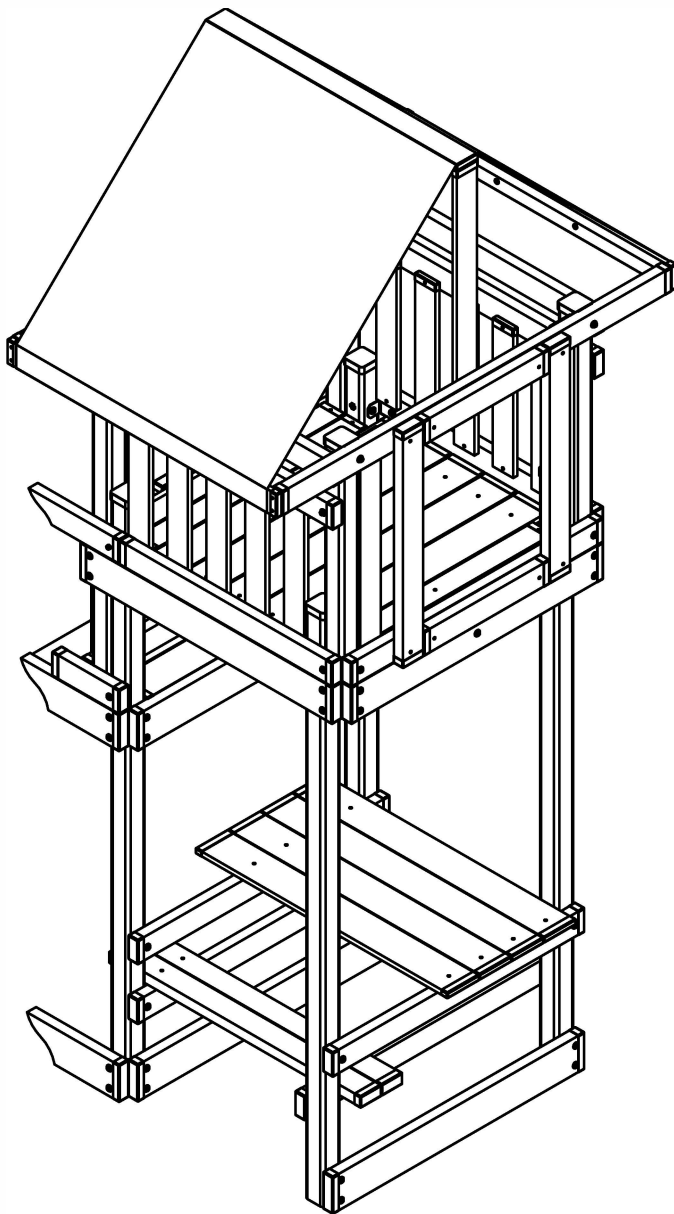
STEP 2: Attach turbo wall slats 'PP', PPA for upgraded turbo centered on tarp support 'M' and wall rail 'P' with 2" deck screws (See Detail - 62).

STEP 3: Attach turbo wall slats 'OO' to tarp support 'M' and wall rail 'P' with 2" deck screws (See Detail - 62).

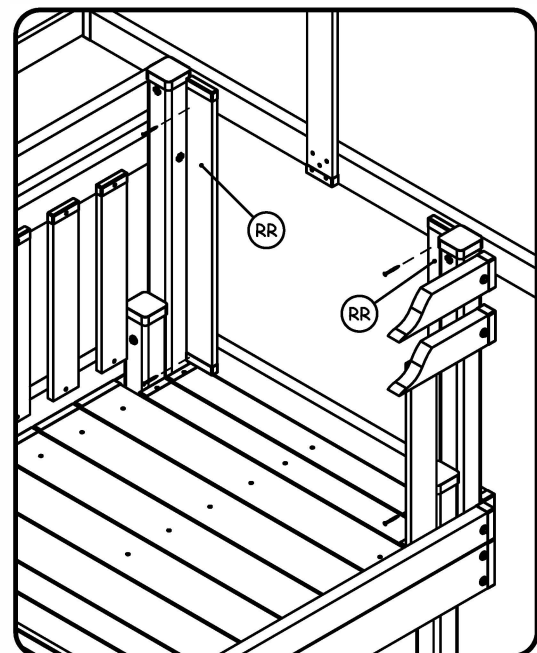
STEP 4: Attach turbo wall slats 'RR' to tarp support 'M' and wall rail 'P' with 1-5/8" deck screws (See Detail - 63).

TABLE 50 - PARTS AND HARDWARE

ID LETTER	DESCRIPTION	QTY
OO	TURBO WALL SLATS	2
PP	TURBO WALL SLATS	2
RR	TURBO WALL SLATS	2
	1 5/8" DECK SCREWS	4
	2" DECK SCREWS	8



DETAIL - 62



**INSIDE VIEW
DETAIL - 63**

PHASE 51

TURBO SLIDE BRACKET ATTACHMENT

SKIP FOR UPGRADED TURBO

DO NOT SKIP PHASE 52 this is very important regardless of slide type.

STEP 1: Gather parts and hardware shown in table 51.

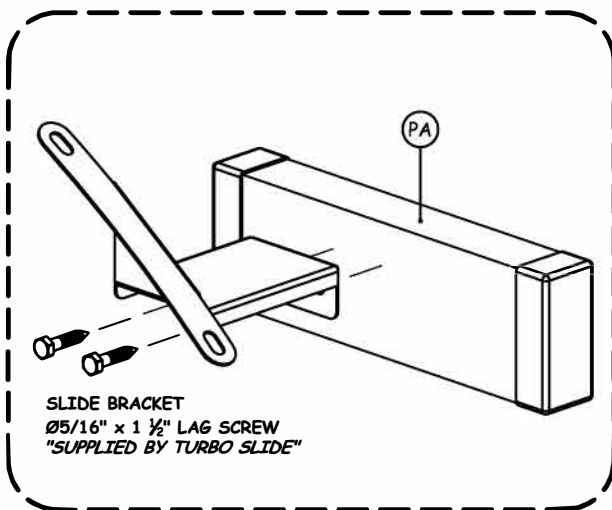
STEP 2: Attach slide bracket. *"See turbo slide assembly instruction"*

STEP 3: Attach slide bracket to slide bracket board "PA" with $\varnothing 5/16"$ x $1\frac{1}{2}"$ lag bolt. (See detail - 64)

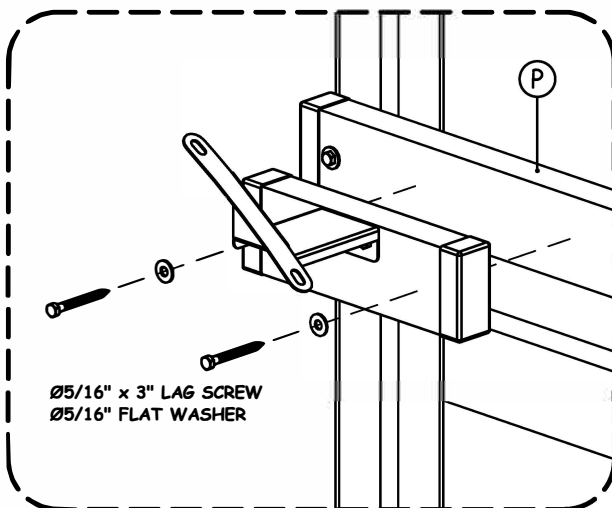
STEP 4: Move the slide toward the activity center until slide bracket board "PA" makes contact with the unit. attach slide bracket board "PA" to wall rail "P" with $\varnothing 5/16"$ x 3" lag bolt and $\varnothing 5/16"$ flat washer. (See detail - 65)

TABLE 51 - PARTS AND HARDWARE

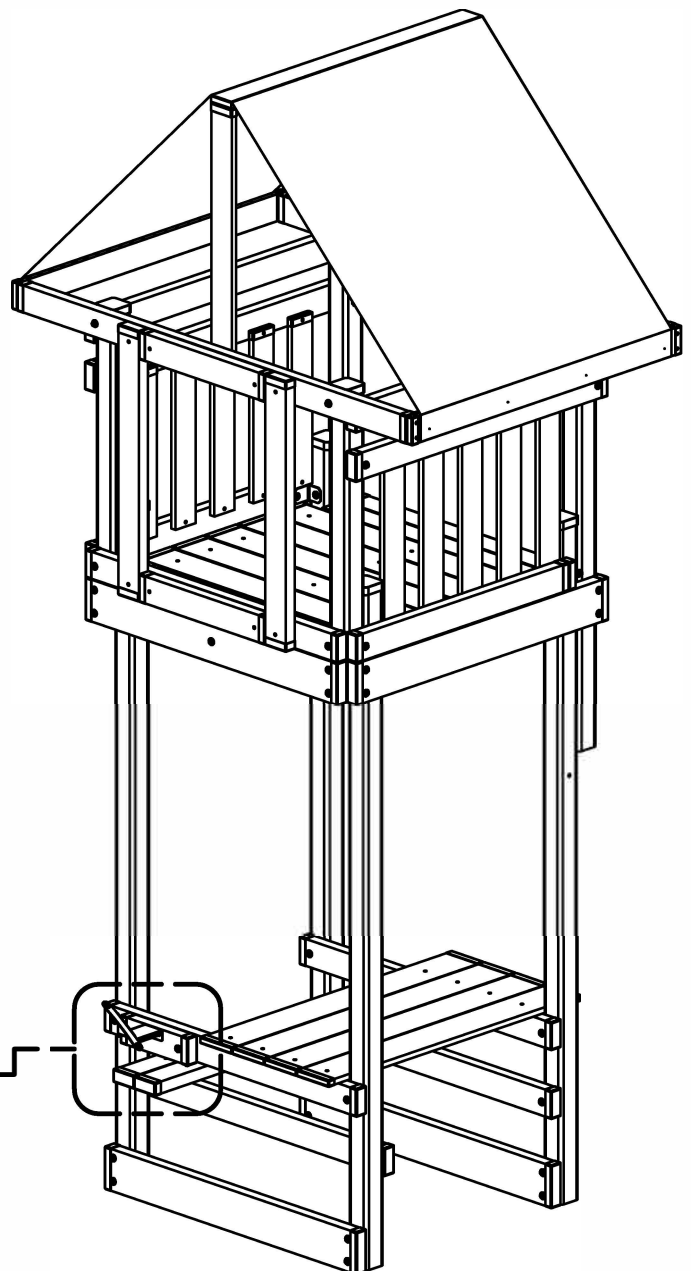
ID LETTER	DESCRIPTION	QTY
PA	SLIDE BRACKET BOARD	1
	$\varnothing 5/16"$ x 3" LAG SCREWS	2
	$\varnothing 5/16"$ FLAT WASHERS	2
	$\varnothing 5/16"$ x $1\frac{1}{2}"$ LAG SCREWS "SUPPLIED BY TURBO SLIDE"	2
	TURBO SLIDE BRACKET "SUPPLIED BY TURBO SLIDE"	1



DETAIL - 64



DETAIL - 65



*PHASE 52

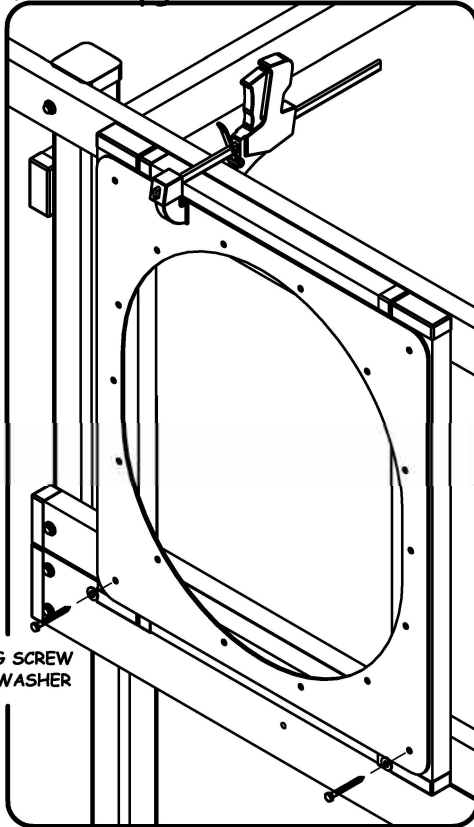
TURBO SUPPORT RING ATTACHMENT

STEP 1: Gather parts and hardware shown in table 52.

STEP 2: Center turbo slide opening in wall opening, secure the top with Clamp and attach the bottom with $\varnothing 5/16"$ x 3" lag bolt and $\varnothing 5/16"$ flat washer. (See detail - 66).
The slide opening piece will appear different for the upgraded turbo.

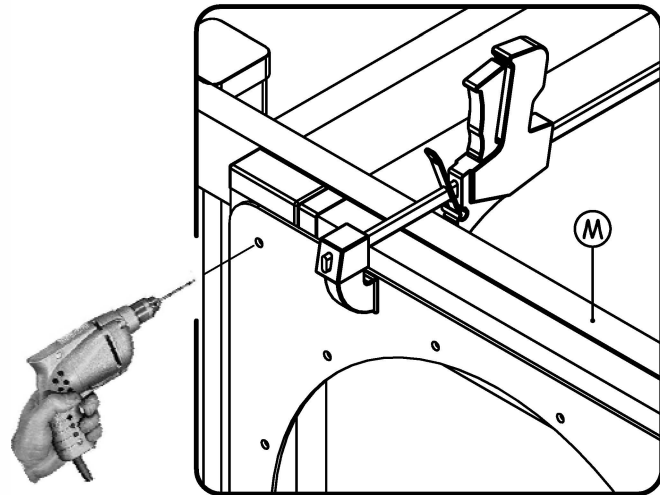
TABLE 52 - PARTS AND HARDWARE

ID LETTER	DESCRIPTION	QTY
	TURBO SUPPORT RING	1
	$\varnothing 5/16"$ x 3" LAG SCREWS	2
	$\varnothing 5/16"$ FLAT WASHERS	4
	$\varnothing 5/16"$ x 3 1/2" HEX BOLTS	2
	$\varnothing 5/16"$ TEE NUTS	2



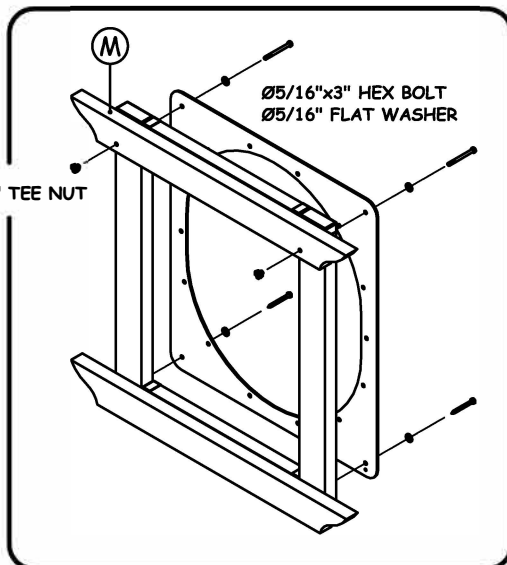
$\varnothing 5/16"$ x 3" LAG SCREW
 $\varnothing 5/16"$ FLAT WASHER

DETAIL - 66



DETAIL - 67

STEP 3: Using a drill with $\varnothing 3/8"$ drill bit, drill a through hole into "OO" turbo wall slat and "M" tarp support. (See detail - 67)



$\varnothing 5/16"$ TEE NUT

$\varnothing 5/16"$ x 3" HEX BOLT
 $\varnothing 5/16"$ FLAT WASHER

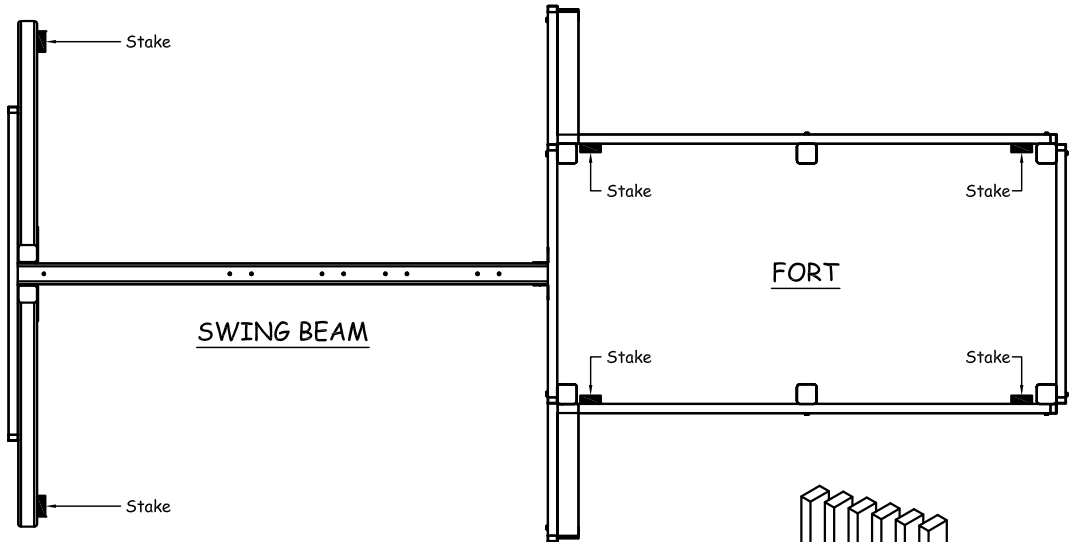
STEP 4: Hammer $\varnothing 5/16"$ tee nut into "M" tarp support. Attach turbo slide ring with $\varnothing 5/16"$ x 3 1/2" hex bolt, $\varnothing 5/16"$ flat washer.

STEP 5: For the remainder of assembly follow the instructions included with the turbo slide.

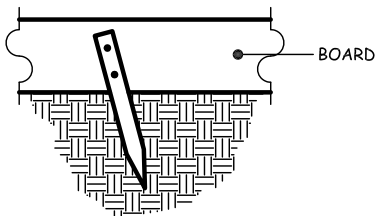
PHASE 53

ANCHORING INSTRUCTION

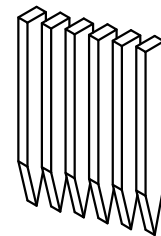
Failure to use stakes can void warranty, cause injury.



Drive stake into ground and attach with (2) 2" deck screws.



Stake must be located as shown



STANDARD WOOD STAKE

