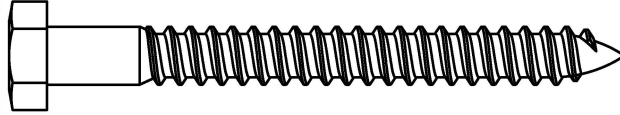
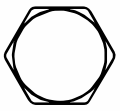


PACKAGE 2 SHOWN

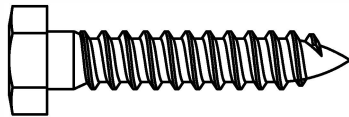
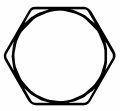
# MONKEY PLAYSYSTEM SUNDECK

ASSEMBLY INSTRUCTIONS

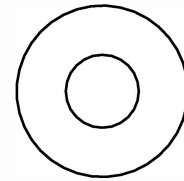
# HARDWARE IDENTIFICATION



**Ø5/16" x 3" LAG SCREWS (39)**



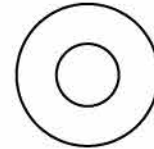
**Ø5/16" x 1-1/2" LAG SCREWS (6)**



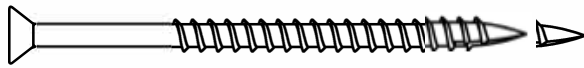
**Ø5/16" FLAT WASHER (45)**



**#12 x 1" PAN HEAD PHILLIPS SCREWS (12)**



**Ø1/4" FLAT WASHER (12)**



**3" DECK SCREWS (4)**



**2" DECK SCREWS (40)**



**1-5/8" DECK SCREWS (36)**

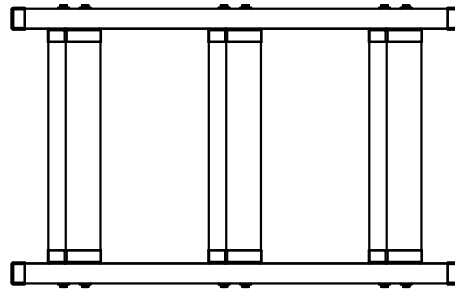
# PARTS IDENTIFICATION

## WOOD COMPONENTS

ID LETTER

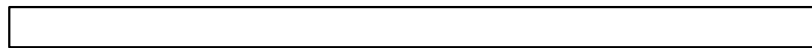
DESCRIPTION

QUANTITY



SUNDECK LADDER ASSEMBLY

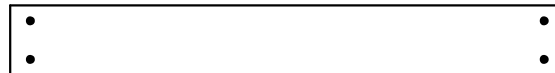
AA



2

4"x4"x66" - SUNDECK UPRIGHT

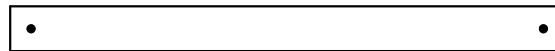
BB



2

2"x6"x45" - FLOOR CAP

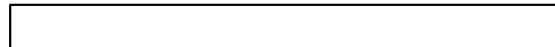
CC



2

2"x4"x45" - FLOOR JOIST

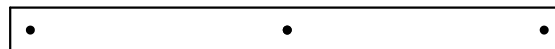
DD



1

2"x4"x45" - FLOOR JOIST/PICNIC BENCH

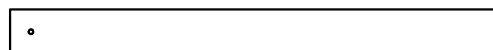
EE



1

2"x4"x45" - END CAP

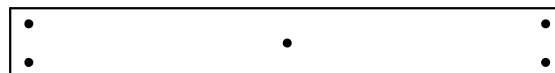
FF



1

2"x4"x41.75" - WALL RAIL

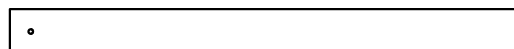
G



1

2"x6"x45" - FLOOR CAP

GG











1

2"x4"x40" - WALL RAIL

# PARTS IDENTIFICATION

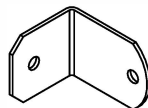
## WOOD COMPONENTS

ID LETTER	DESCRIPTION	QUANTITY
HH	 1"x4"x16" - LADDER SLAT	3
II	 2"x4"x23" - LADDER WALL SLAT	2
H	 2"x6"x45" - SANDBOX BOARD	1
P	 2"x4"x45" - WALL RAIL	5
R	 2"x4"x12" - WALL RAIL	2
S	 1"x6"x45 $\frac{1}{8}$ " - FLOOR BOARD	6
T	 1"x6"x37 $\frac{3}{8}$ " - END FLOOR BOARD	2
Z24	 1"x4"x24" - WALL SLAT	14

## ACCESSORIES IDENTIFICATION



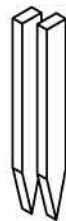
TARP



L-BRACKET



HAND GRIP



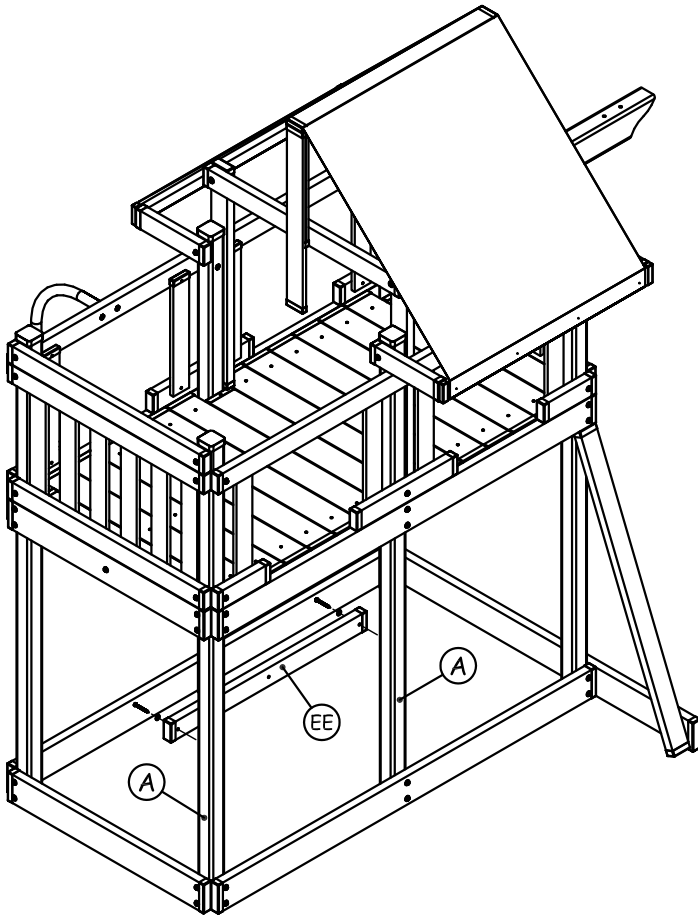
(2) STAKE

# PHASE 23

# FRAME ASSEMBLY

TABLE 23 - PARTS AND HARDWARE

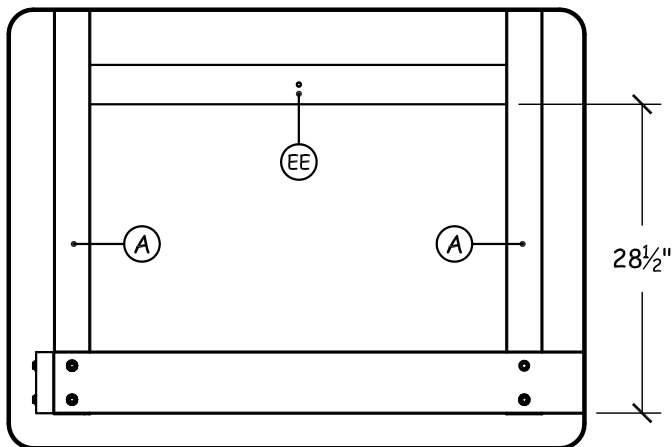
ID LETTER	DESCRIPTION	QTY
AA	SUNDECK UPRIGHTS	2
CC	FLOOR JOISTS	2
EE	END CAP	1
	Ø5/16" x 3" LAG SCREWS	6
	Ø5/16" FLAT WASHERS	6



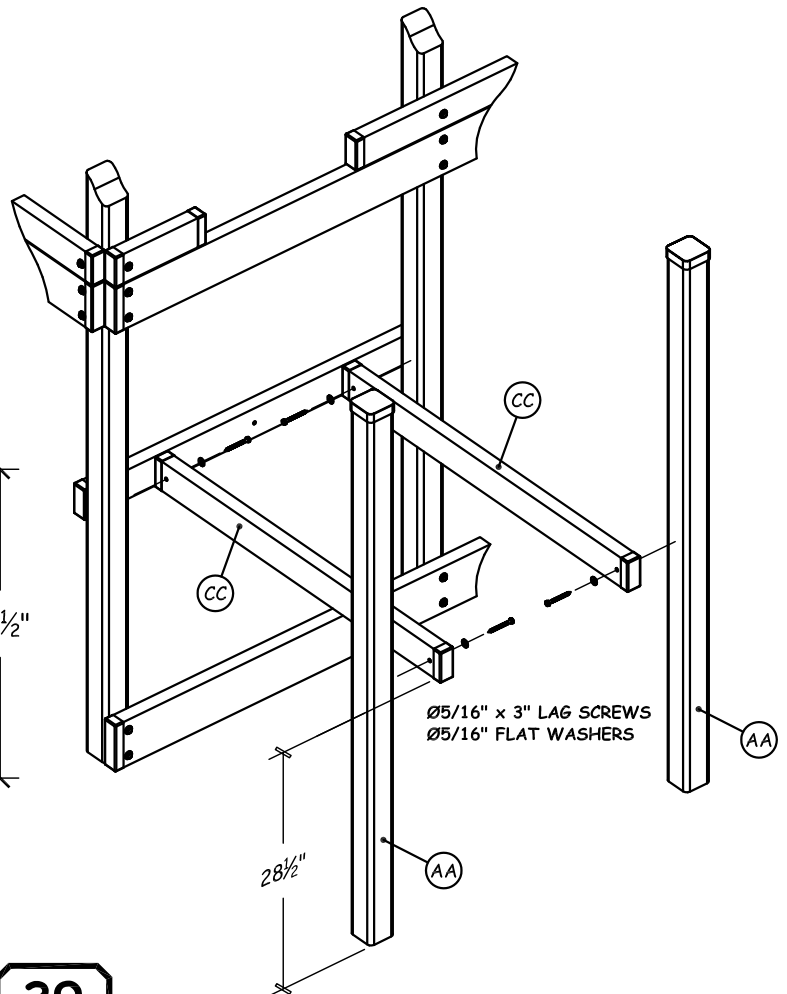
**STEP 1:** Gather parts and hardware shown in table 23

**STEP 2:** Attach End cap 'EE' to fort uprights 'A' with Ø5/16" x 3" lag screws and Ø5/16" flat washer. (See detail-26)

**STEP 3:** Attach floor joist 'CC' to fort uprights 'A' and to sundeck uprights 'AA' with Ø5/16" x 3" lag screws and Ø5/16" flat washer.



DETAIL - 26



# PHASE 24

# FRAME ASSEMBLY - Cont.

TABLE 24 - PARTS AND HARDWARE

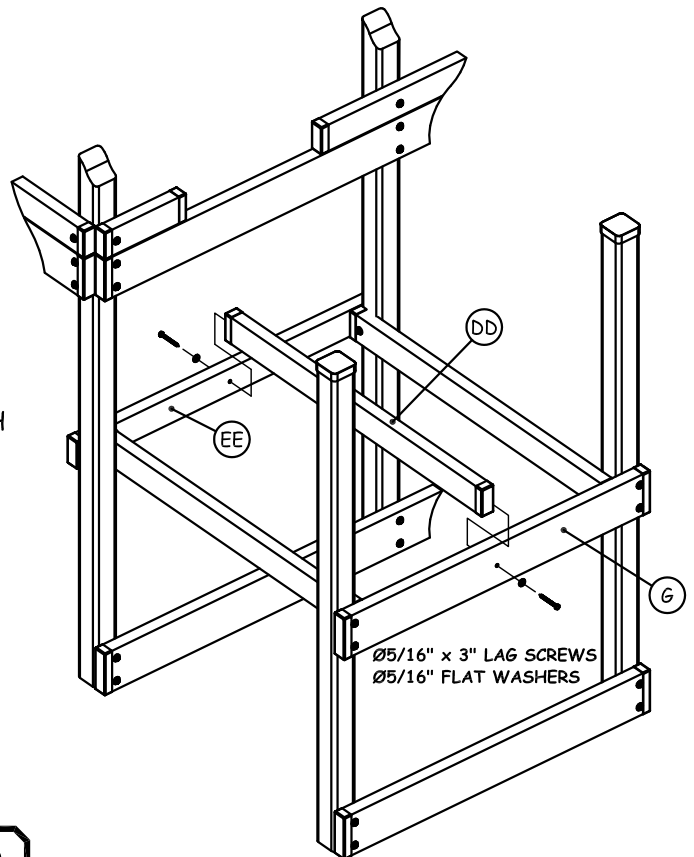
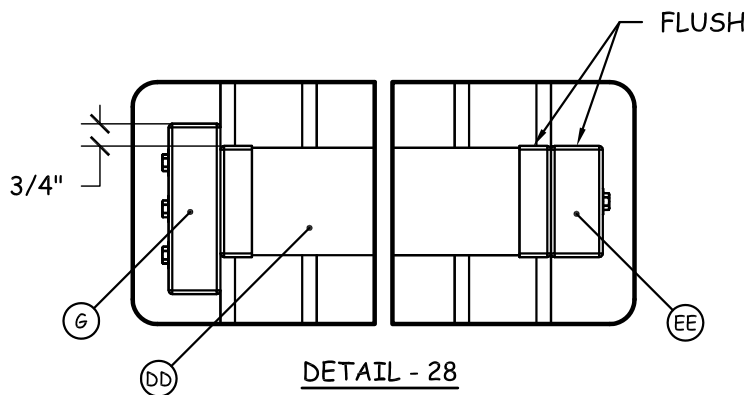
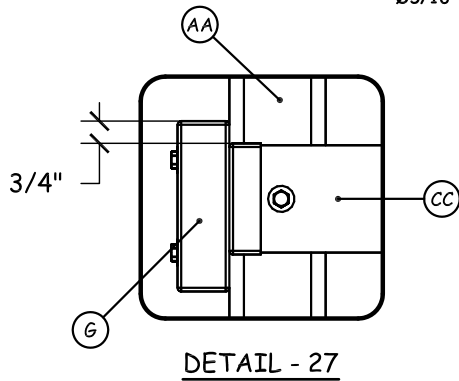
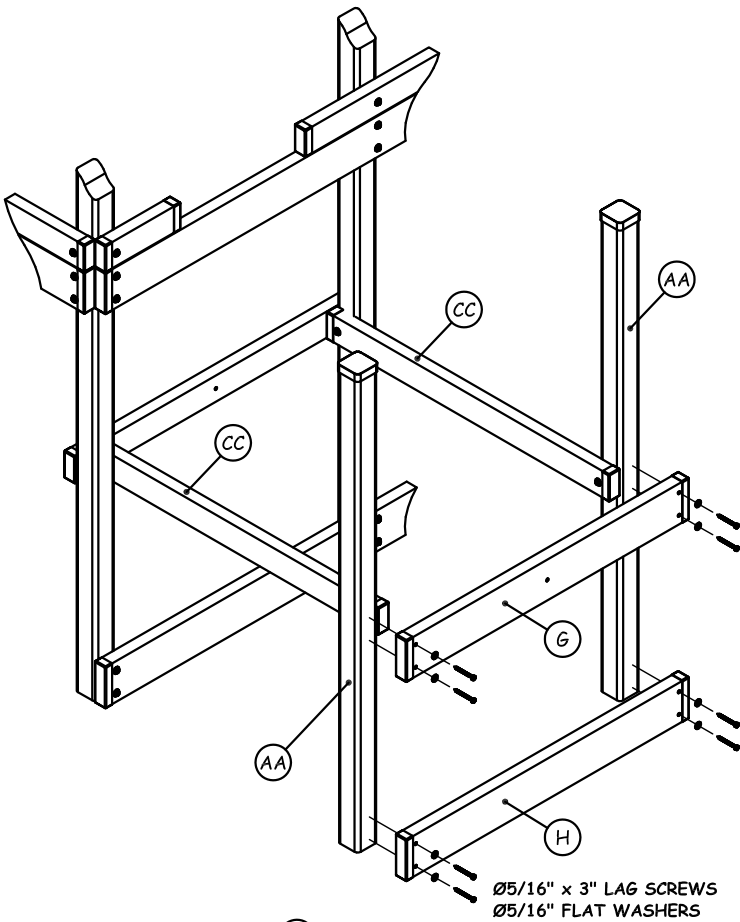
ID LETTER	DESCRIPTION	QTY
G	FLOOR CAP	1
H	SANDBOX BOARD	1
DD	FLOOR JOIST	1
	Ø5/16" x 3" LAG SCREWS	10
	Ø5/16" FLAT WASHERS	10

**STEP 1:** Gather parts and hardware shown in table 24

**STEP 2:** Attach floor cap 'G' to sundeck uprights 'AA' with Ø5/16"x3" lag screws and Ø5/16" flat washer. Approximately 3/4" above the floor joist 'CC'. (See Detail-27)

**STEP 3:** Attach sandbox board 'H' to front uprights 'AA' with Ø5/16"x3" lag screws and Ø5/16" flat washers.

**STEP 4:** Attach floor joist 'DD' to floor cap 'G' and to end cap 'EE' with Ø5/16"x3" lag screws and Ø5/16" flat washers. Approximately 3/4" below floor cap 'G' and flush the top to end cap 'EE'. (See Detail-28)



# PHASE 25

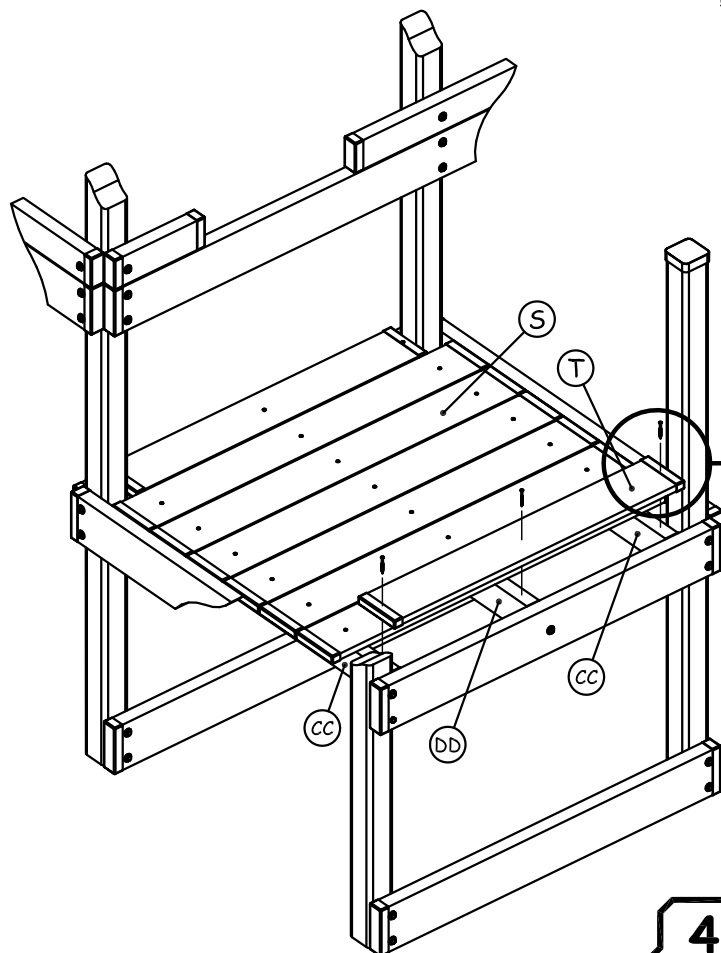
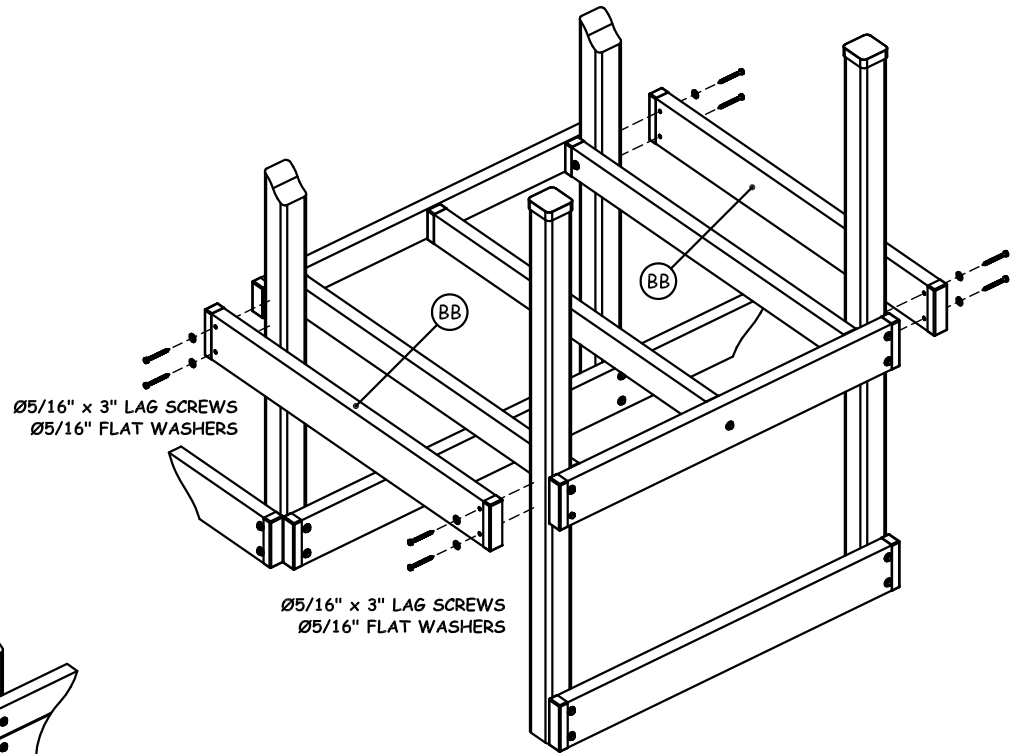
# FLOOR BOARDS ATTACHMENT

**STEP 1:** Gather parts and hardware shown in table 25.

**STEP 2:** Attach floor caps 'BB' to fort uprights 'A' and to sundeck uprights 'AA' with  $\varnothing 5/16"$  x 3" lag screws and flat washers.

**TABLE 25 - PARTS AND HARDWARE NEEDED**

ID LETTER	DESCRIPTION	QTY
S	FLOOR BOARDS	6
T	END FLOOR BOARDS	2
BB	FLOOR CAPS	2
	$\varnothing 5/16"$ x 3" LAG SCREWS	8
	$\varnothing 5/16"$ FLAT WASHERS	8
	2" DECK SCREWS	24



**STEP 3:** Place end floor boards 'T' and floor boards 'S' on floor joist 'CC' and 'DD' and attach with 2" deck screws as shown.

# PHASE 26

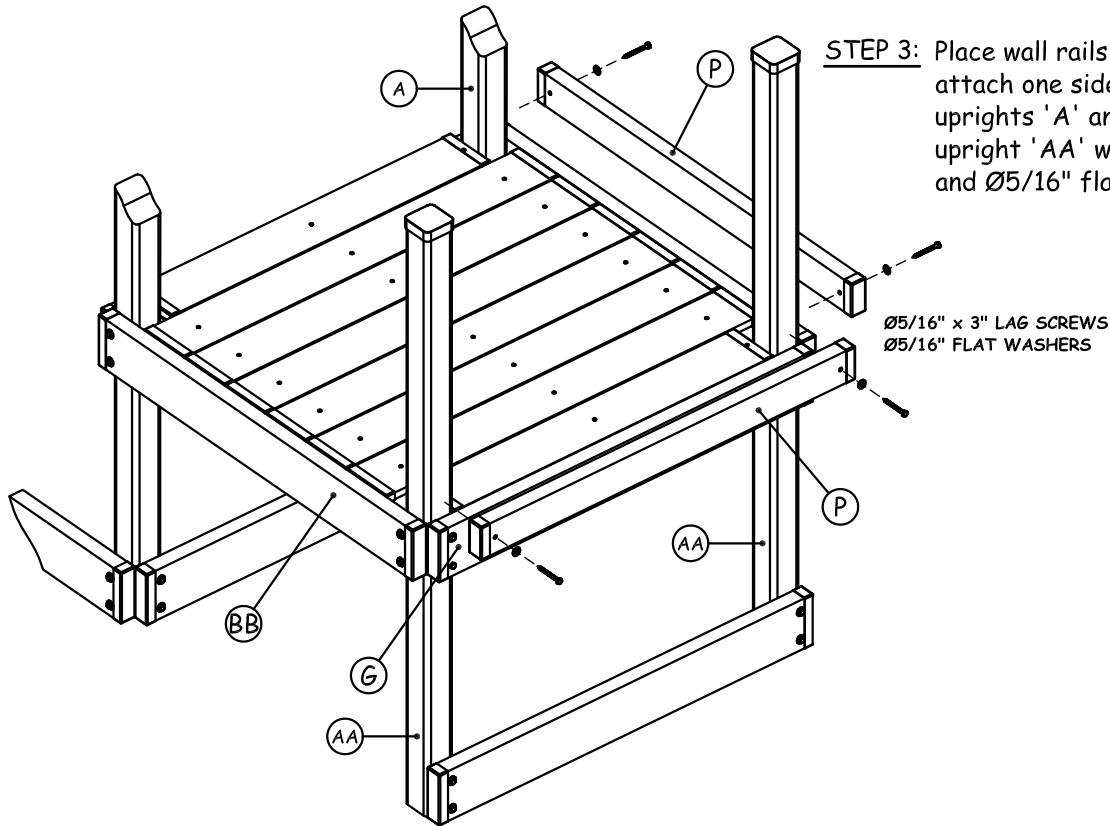
# WALL RAILS ATTACHMENT

**STEP 1:** Gather parts and hardware shown in table 26.

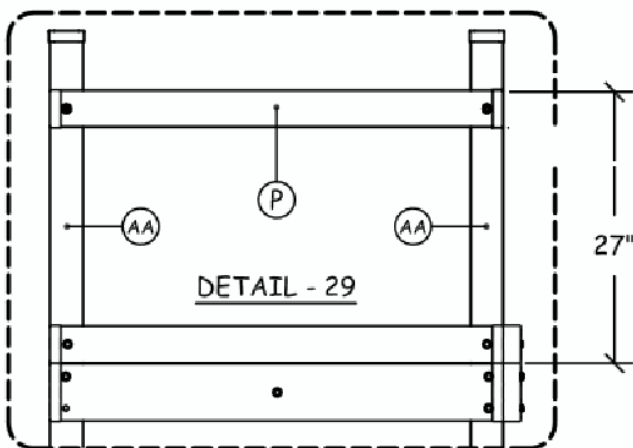
**STEP 2:** Place wall rails 'P' above wall caps 'G' and attach with  $\varnothing 5/16"$  x 3" lag bolts and  $\varnothing 5/16"$  flat washers.

**TABLE 26 - PARTS AND HARDWARE**

ID LETTER	DESCRIPTION	QTY
P	WALL RAILS	4
	$\varnothing 5/16"$ x 3" LAG SCREWS	8
	$\varnothing 5/16"$ FLAT WASHERS	8

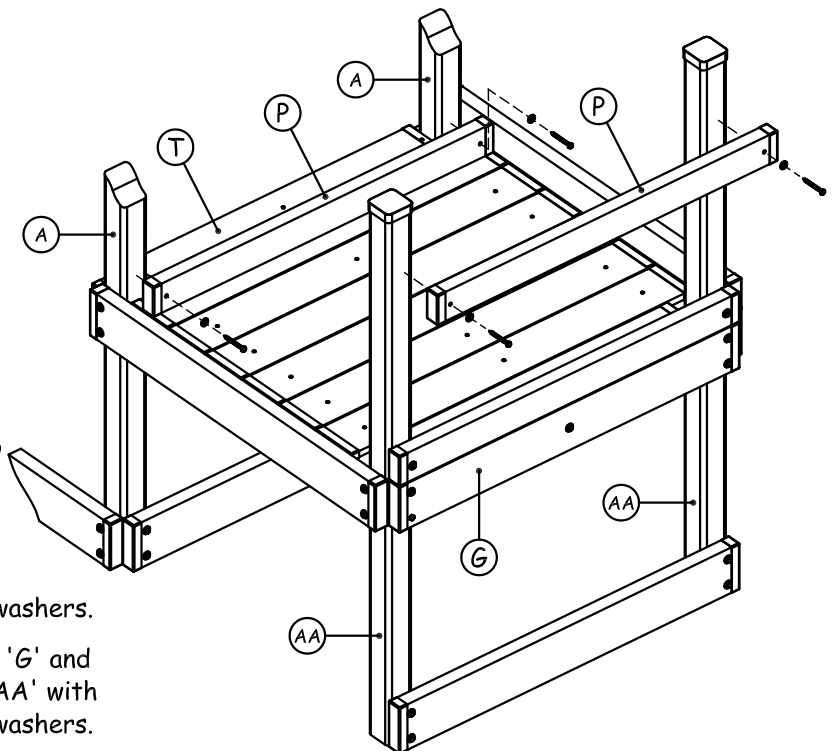


**STEP 3:** Place wall rails 'P' above wall caps 'BB' and attach one side of wall rails board to fort uprights 'A' and one side to sundeck upright 'AA' with  $\varnothing 5/16"$  x 3" lag bolts and  $\varnothing 5/16"$  flat washer.



**STEP 4:** Place wall rails 'P' above floor boards 'T' and attach to fort uprights 'A' with  $\varnothing 5/16"$  x 3" lag screws and  $\varnothing 5/16"$  flat washers.

**STEP 5:** Measure 27 inches from top of floor cap 'G' and attach wall rail 'P' to sundeck uprights 'AA' with  $\varnothing 5/16"$  x 3" lag screws and  $\varnothing 5/16"$  flat washers. (See Detail-29)





# PHASE 27

# WALL RAILS ATTACHMENT - Cont.

**STEP 1:** Gather parts shown on table 27.

**STEP 2:** Attach one end of wall rail 'FF' to sundeck uprights 'AA' by using  $\varnothing 5/16"$  x 3" lag screw and  $\varnothing 5/16"$  flat washer.

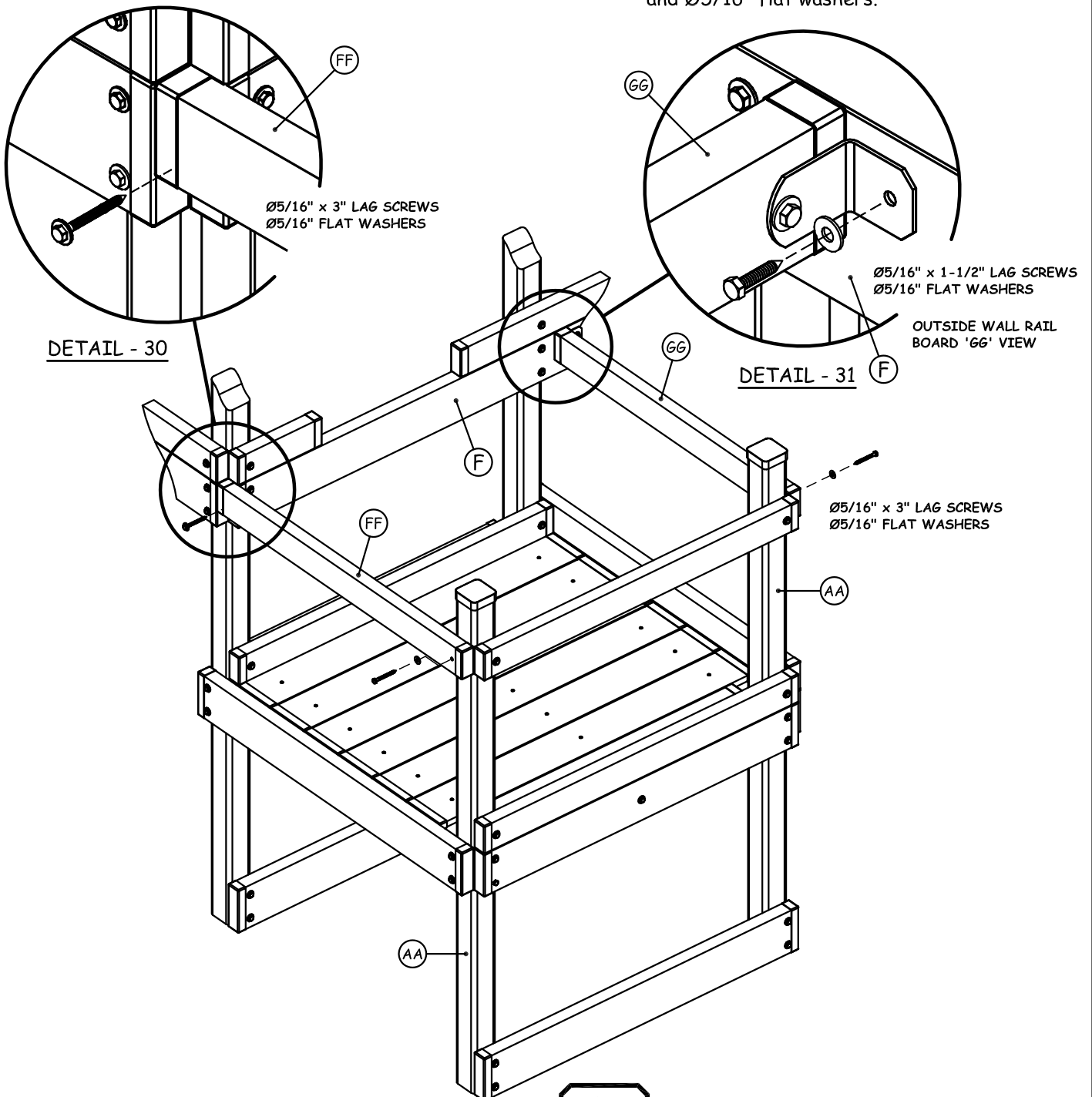
**STEP 3:** Place L-bracket as shown in Detail-30 and attach with  $\varnothing 5/16"$  x 1-1/2" lag screw and  $\varnothing 5/16"$  flat washers.

**STEP 4:** Attach one end of wall rail 'GG' to sundeck uprights 'AA' by using  $\varnothing 5/16"$  x 3" lag screw and  $\varnothing 5/16"$  flat washer.

**TABLE 27 - PARTS AND HARDWARE NEEDED**

ID LETTER	DESCRIPTION	QTY
GG	WALL RAIL	1
FF	WALL RAIL	1
	L-BRACKET	1
	$\varnothing 5/16"$ x 1-1/2" LAG SCREWS	2
	$\varnothing 5/16"$ x 3" LAG SCREWS	3
	$\varnothing 5/16"$ FLAT WASHERS	5

**STEP 5:** Place L-bracket as shown in Detail-E and attach with  $\varnothing 5/16"$  x 1-1/2" lag screw and  $\varnothing 5/16"$  flat washers.



# PHASE 28

# WALL RAILS ATTACHMENT - Cont.

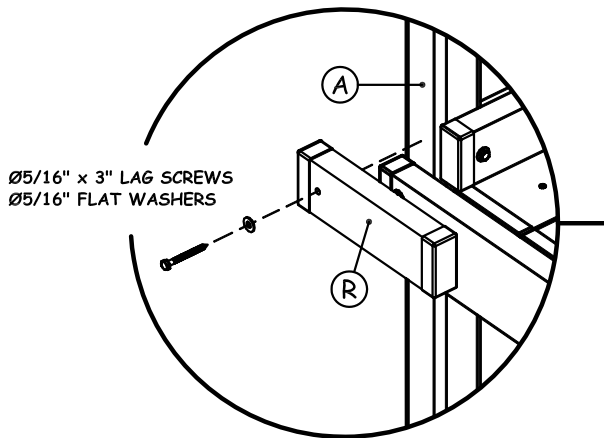
**STEP 1:** Gather parts and hardware shown in table 28.

**STEP 2:** Attach wall rails 'P' to sundeck uprights 'AA' with  $\varnothing 5/16"$  x 3" lag screws and flat washer. (See Detail-34)

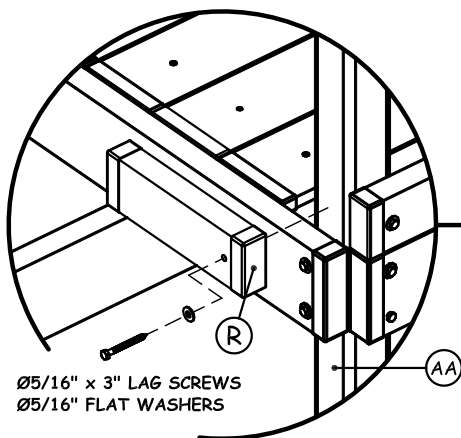
**STEP 3:** Attach wall rails 'R' to fort uprights 'A' and sundeck uprights 'AA' with  $\varnothing 5/16"$  x 3" lag screws and flat washers. (See Detail-32 & 33)

TABLE 28 - PARTS AND HARDWARE

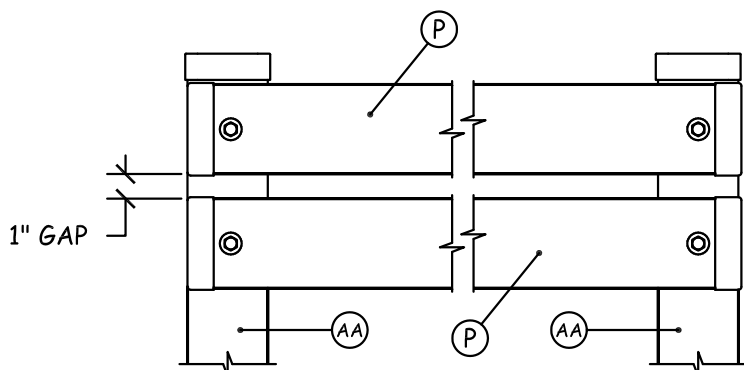
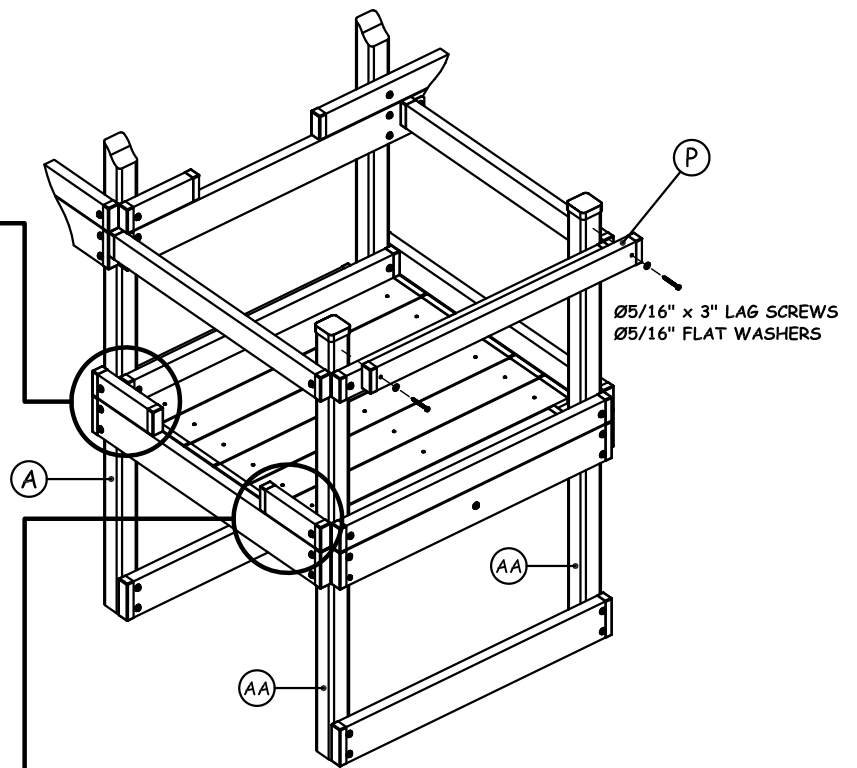
ID LETTER	DESCRIPTION	QTY
P	WALL RAILS	1
R	WALL RAILS	2
	$\varnothing 5/16"$ x 3" LAG SCREWS	4
	$\varnothing 5/16"$ FLAT WASHERS	4



DETAIL - 32



DETAIL - 33



DETAIL - 34

# PHASE 29

# WALL SLAT ATTACHMENT

**STEP 1:** Gather parts and hardware shown in table 29.

**STEP 2:** Attach ladder slats 'HH' to ladder wall slats 'II' with 2" deck screw. (See Detail-35)

**STEP 3:** Center the ladder assembly in wall opening and attach with 3" deck screws. (See Detail-36)

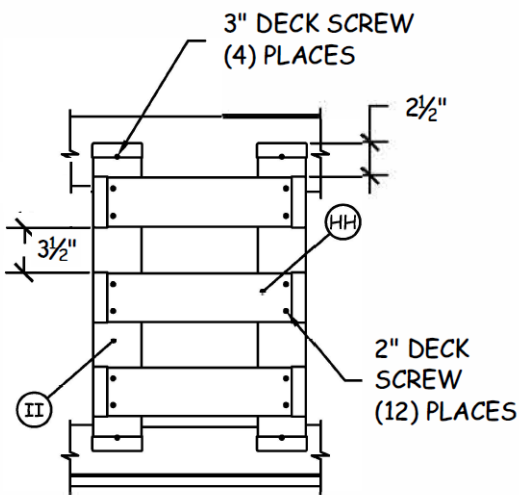
**STEP 4:** Attach wall slats 'Z' to floor caps 'F' and wall rails 'P' with 1-5/8" deck screws. (See Detail-36)

**TABLE 29 - PARTS AND HARDWARE**

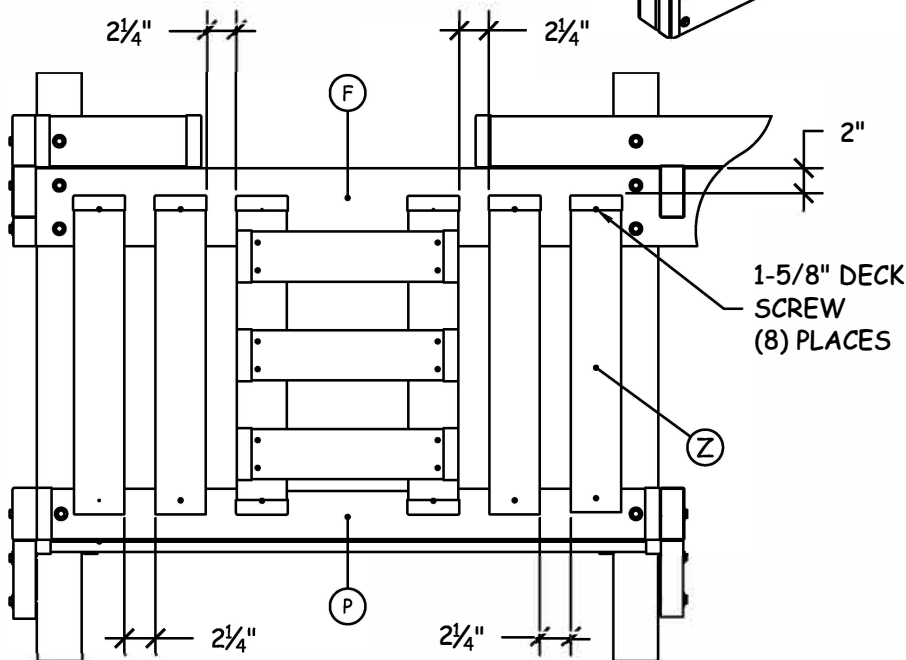
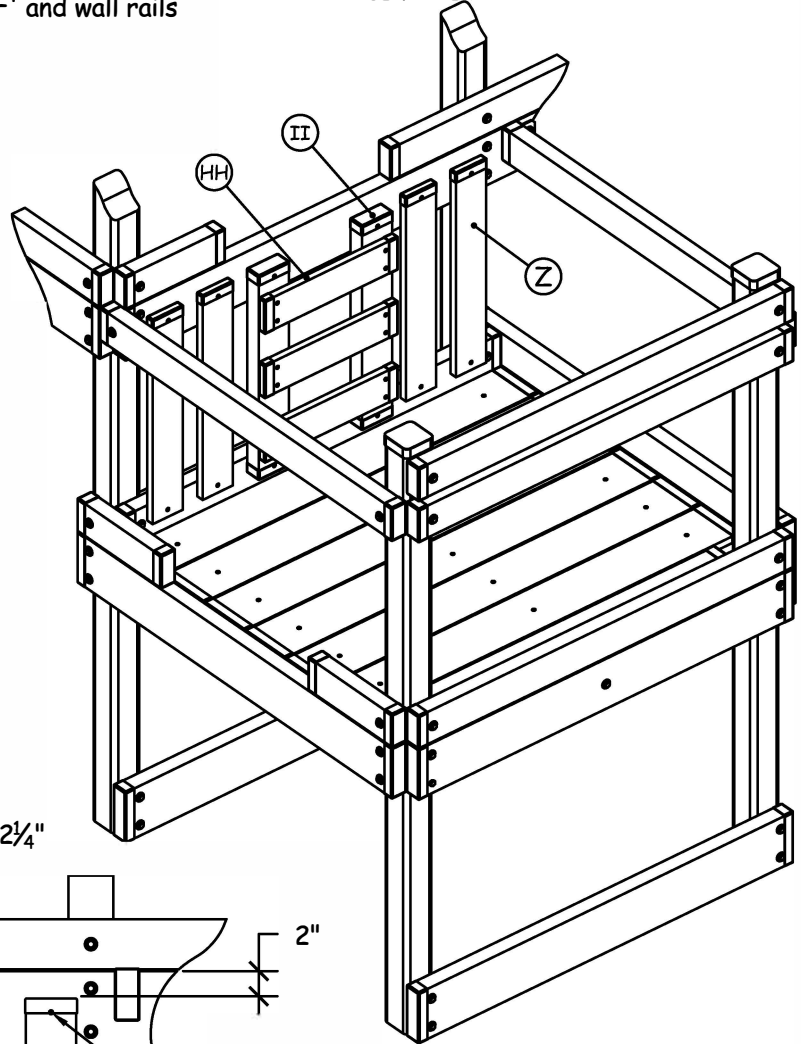
ID LETTER	DESCRIPTION	QTY
Z	WALL SLATS	4
HH	LADDER SLATS	3
II	LADDER WALL SLATS	2
	3" DECK SCREWS	4
	1-5/8" DECK SCREWS	8

2" DECK SCREWS

12



**DETAIL - 35**



**DETAIL - 36**

# PHASE 30

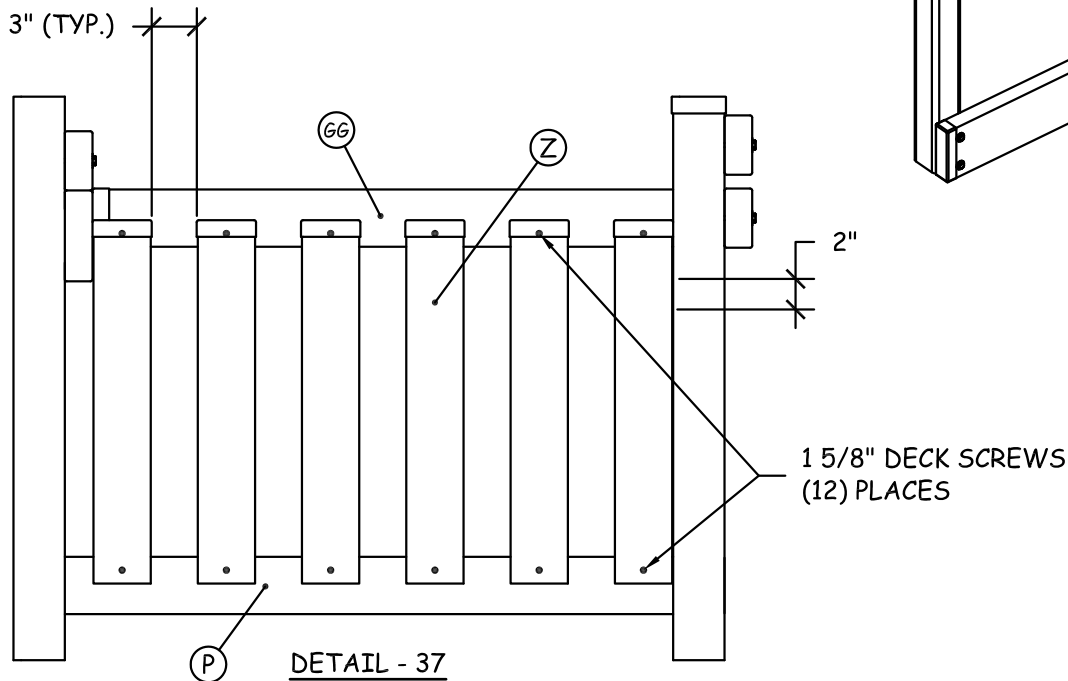
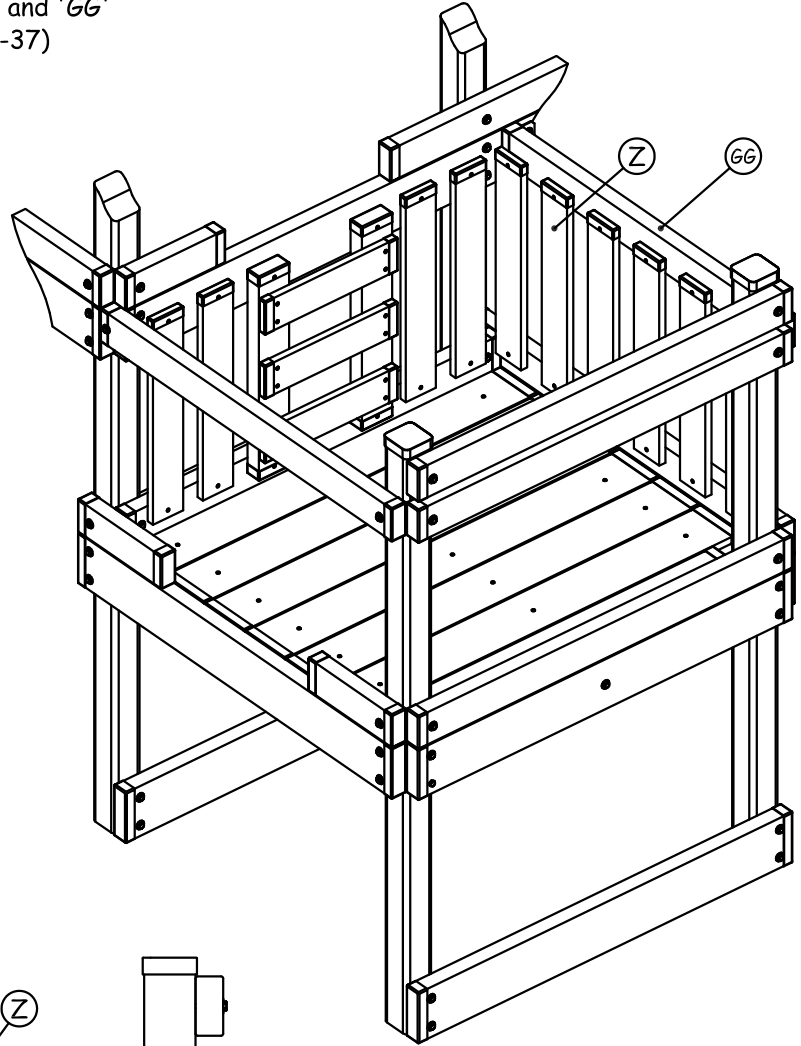
# WALL SLAT ATTACHMENT - Cont.

TABLE 30 - PARTS AND HARDWARE

ID LETTER	DESCRIPTION	QTY
Z	WALL SLATS	6
	1-5/8" DECK SCREWS	12

STEP 1: Gather parts and hardware shown in table 30.

STEP 2: Attach wall slats 'Z' to wall rails 'P' and 'GG' with 1-5/8" deck screws.(See Detail-37)



# PHASE 31

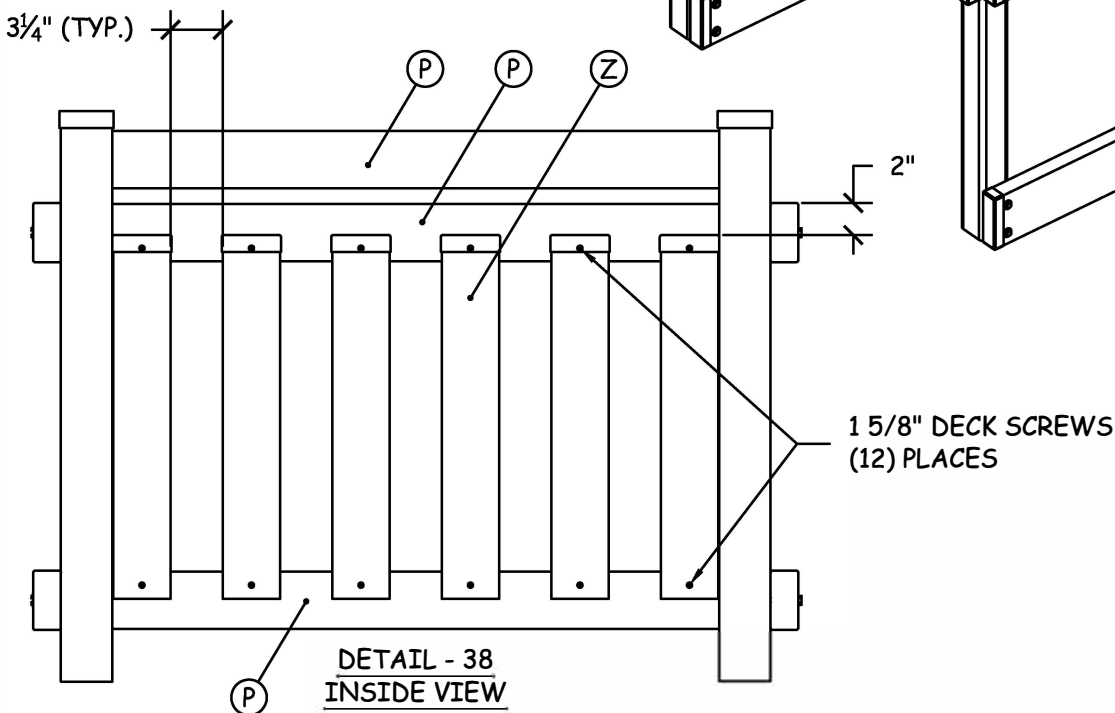
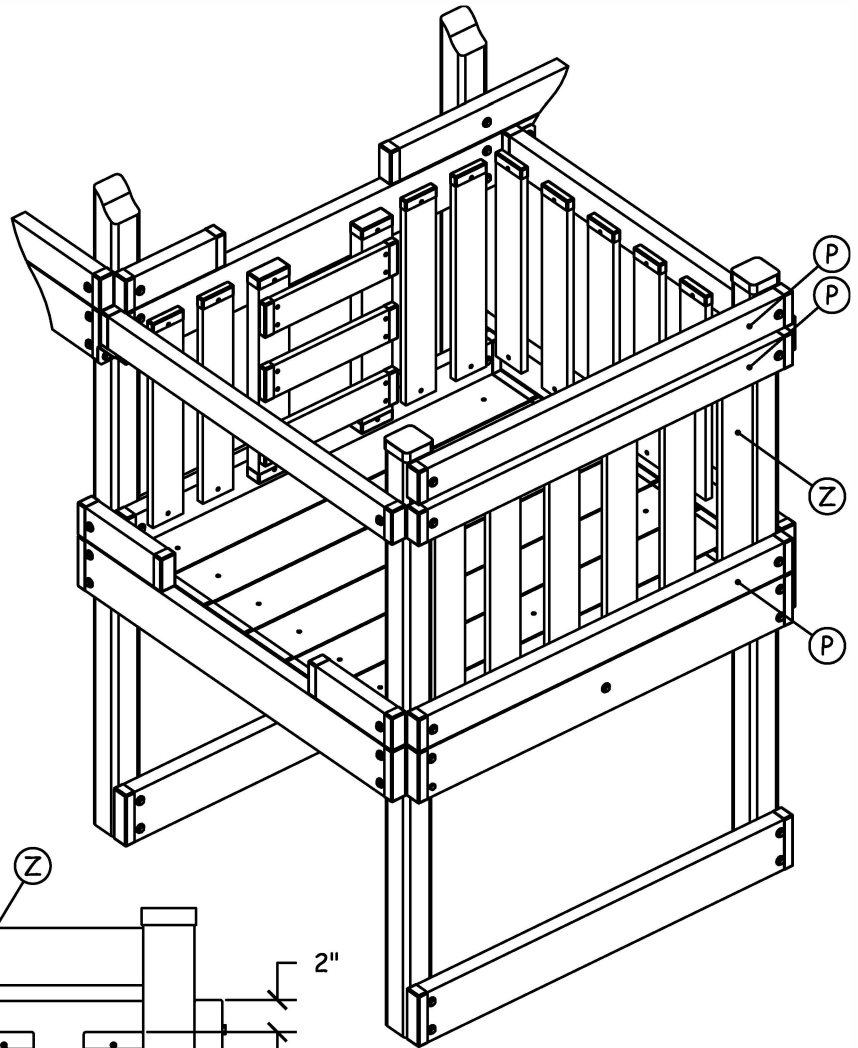
# WALL SLAT ATTACHMENT - Cont.

TABLE 31 - PARTS AND HARDWARE

ID LETTER	DESCRIPTION	QTY
Z	WALL SLATS	6
	1-5/8" DECK SCREWS	12

STEP 1: Gather parts and hardware shown in table 31.

STEP 2: Attach wall slats 'Z' to wall rails 'P' with 1-5/8" deck screws. (See Detail-38)



# PHASE 32

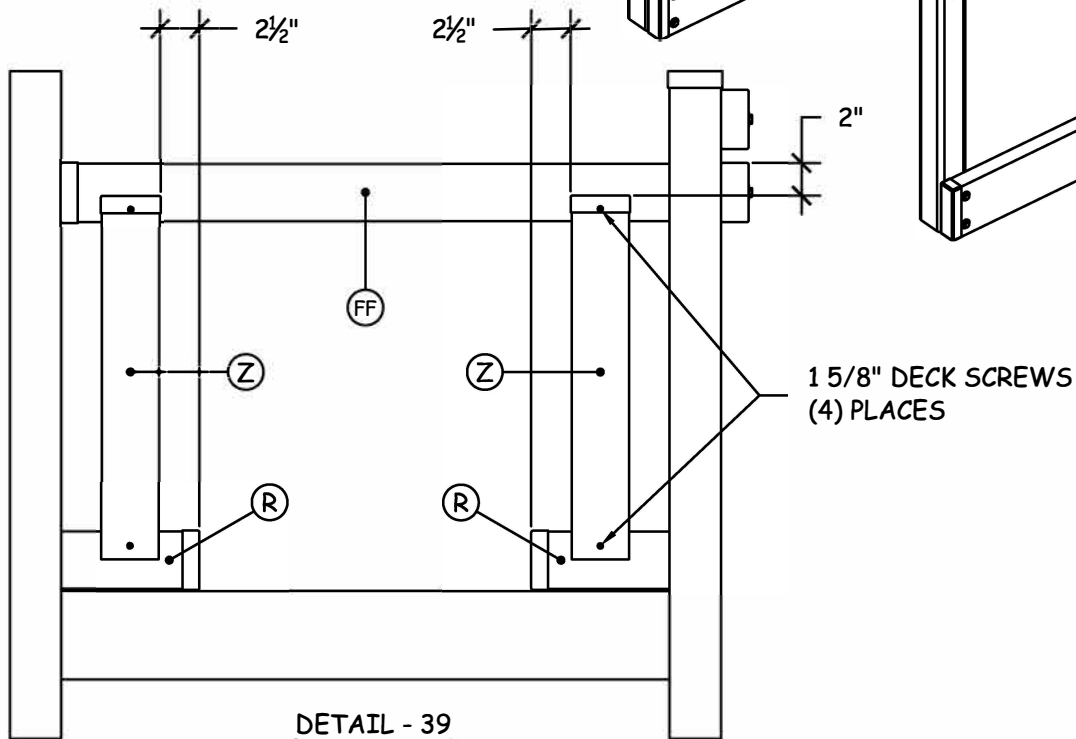
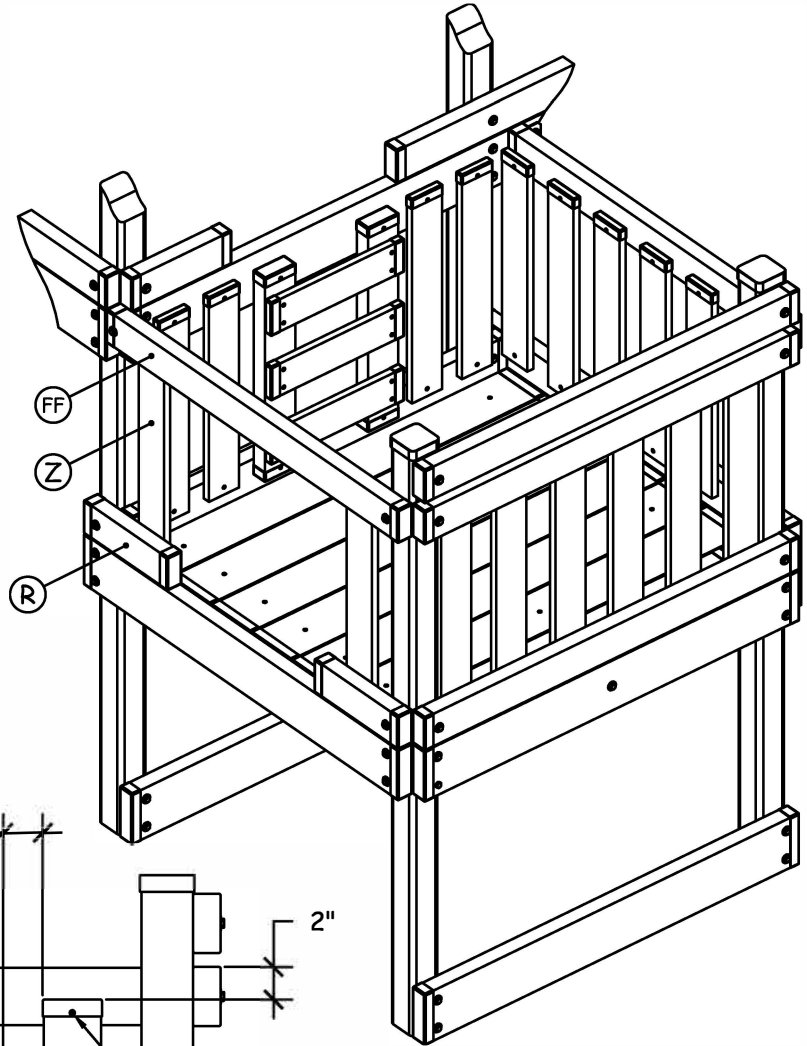
# WALL SLAT ATTACHMENT - Cont.

TABLE 32 - PARTS AND HARDWARE

ID LETTER	DESCRIPTION	QTY
Z	WALL SLATS	2
	1-5/8" DECK SCREWS	4

STEP 1: Gather parts and hardware shown in table 32.

STEP 2: Attach wall slats 'Z' to wall rails 'R' and 'FF' with 1-5/8" deck screws.(See Details-39)



DETAIL - 39  
INSIDE VIEW

# PHASE 33

# LADDER ASSEMBLY ATTACHMENT

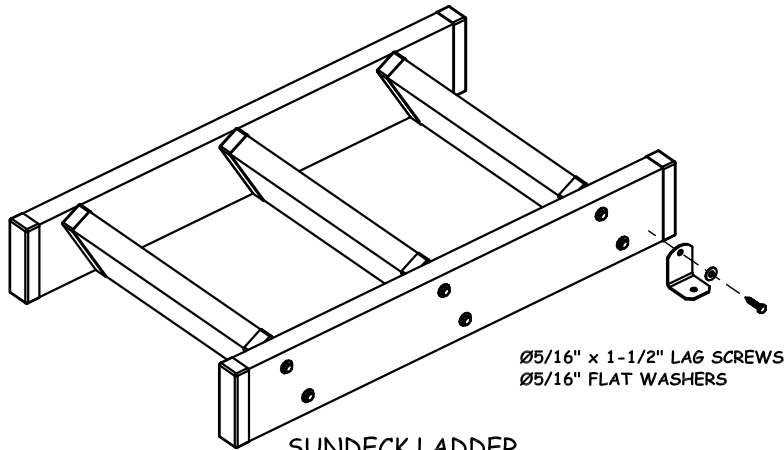
**STEP 1:** Gather parts and hardware shown in table 33.

**STEP 2:** Attach L-brackets to ladder assembly with  $\varnothing 5/16"$  x 1-1/2" lag screws and  $\varnothing 5/16"$  flat washers. (See Detail-40)

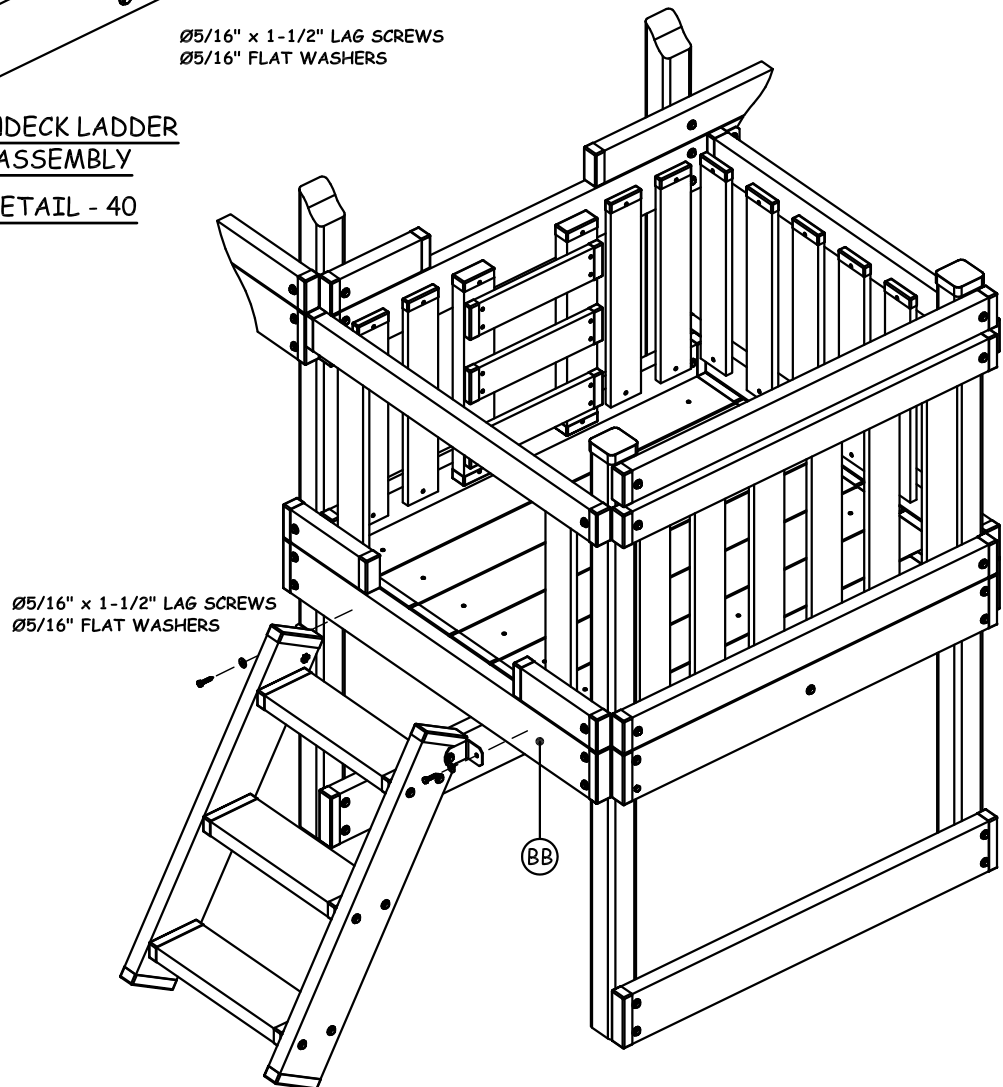
**STEP 3:** Center sundeck ladder assembly in wall opening and attach ladder assembly to floor cap 'BB' with  $\varnothing 5/16"$  x 1-1/2" lag screws and  $\varnothing 5/16"$  flat washers.

TABLE 33 - PARTS AND HARDWARE

ID LETTER	DESCRIPTION	QTY
	SUNDECK LADDER ASSEMBLY	1
	L-BRACKETS	2
	$\varnothing 5/16"$ x 1-1/2" LAG SCREWS	4
	$\varnothing 5/16"$ FLAT WASHERS	4



SUNDECK LADDER ASSEMBLY  
DETAIL - 40



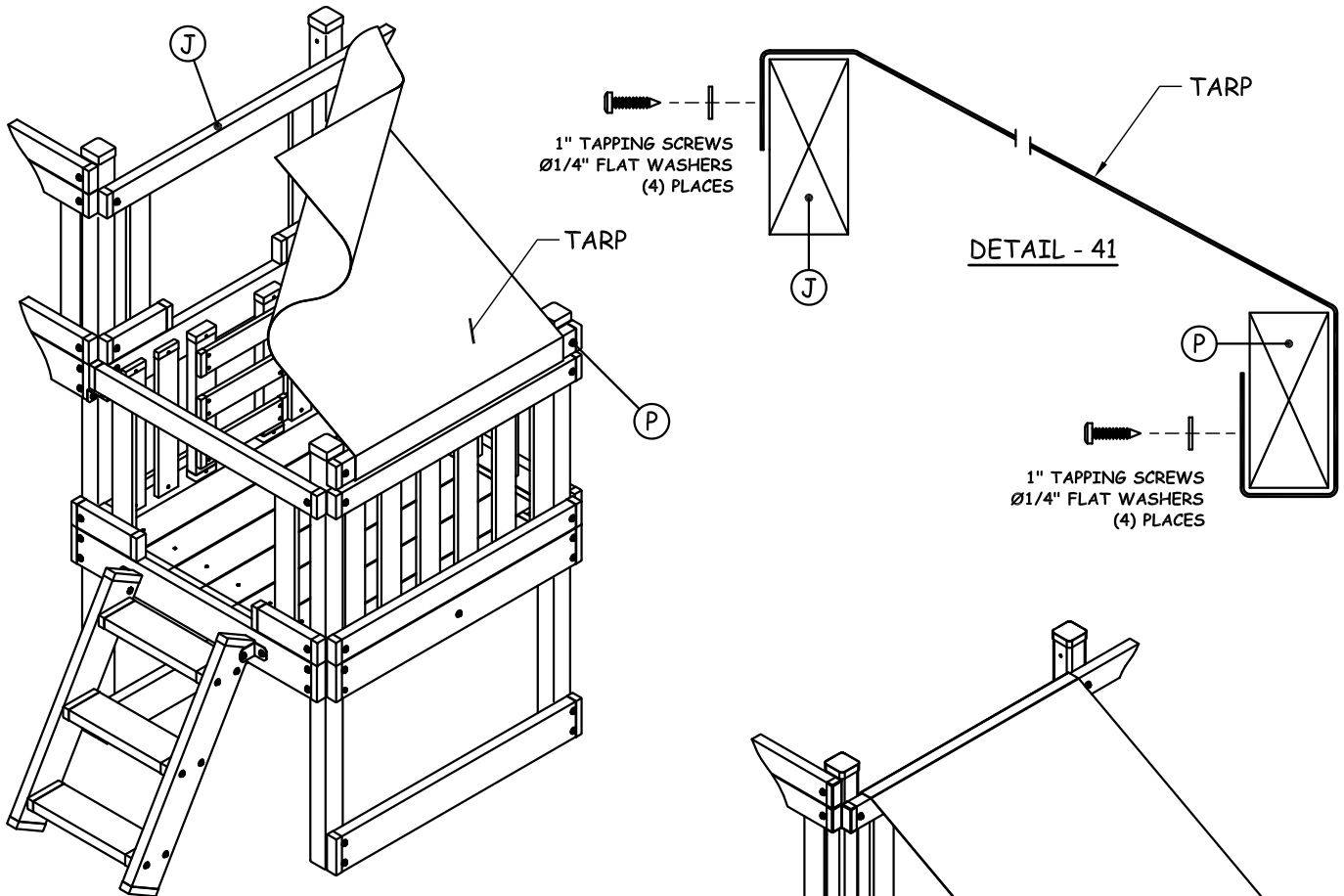
# PHASE 34 TARP AND HANDLE GRIP ATTACHMENT

**STEP 1:** Gather parts and hardware shown in table 34.

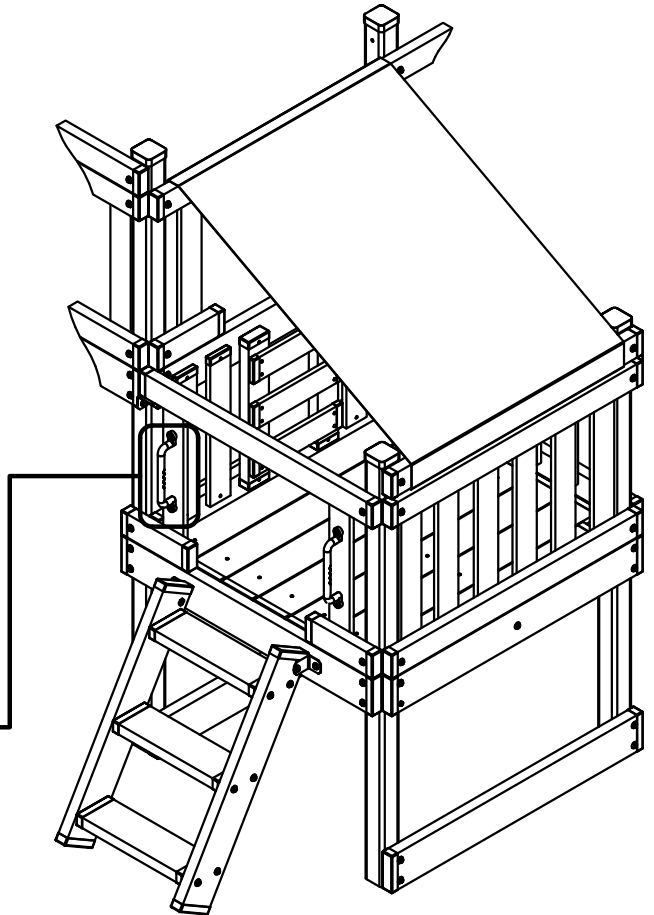
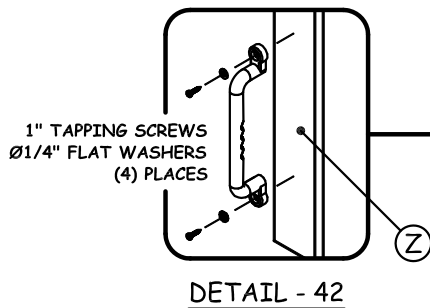
**STEP 2:** Attach tarp to wall rails 'J' & 'P' with 1" tapping screws and Ø1/4" flat washers. (See Details - 41)

TABLE 34 - PARTS AND HARDWARE

ID LETTER	DESCRIPTION	QTY
	TARP	1
	HANDLE GRIPS	1 pr.
	#12 x 1" TAPPING SCREWS	12
	Ø1/4" FLAT WASHERS	12



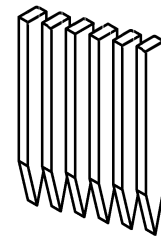
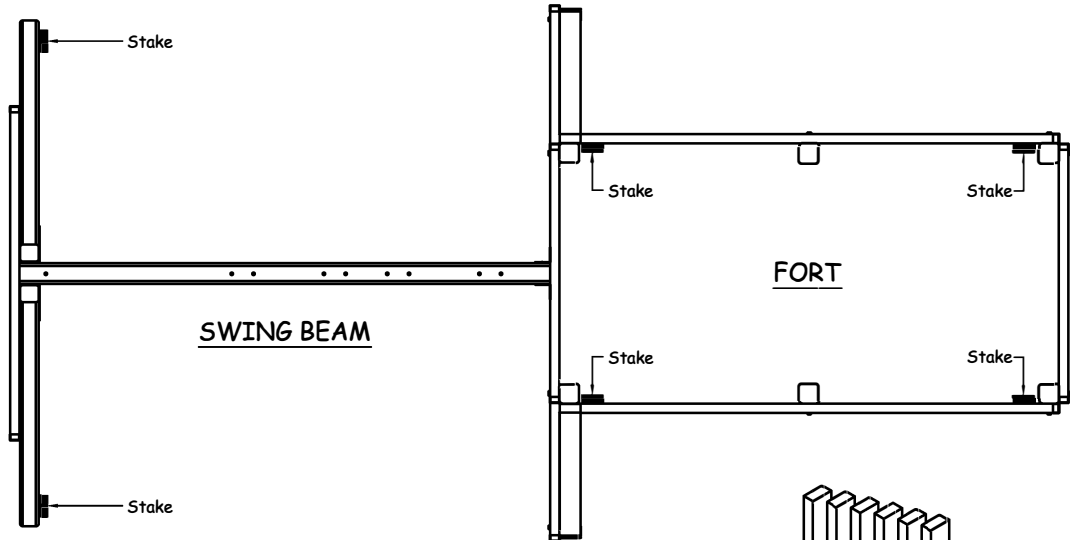
**STEP 3:** Attach handle grip to wall slats 'Z' with 1" tapping screws and Ø1/4" flat washers. (See Details - 42)





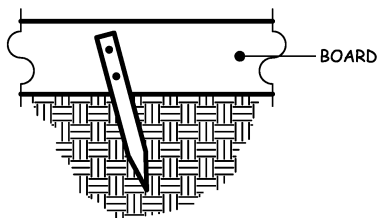
# ANCHORING INSTRUCTION

Failure to use stakes can void warranty, cause injury.



STANDARD WOOD STAKE

Drive stake into ground and attach with (2) 2" deck screws.



Stake must be located as shown

