

avenlur

Chestnut-Large by Avenlur



Need Help?

CALL US AT 888.697.3931 / M-F 9AM - 5PM PT (12PM - 8PM ET)
OR EMAIL US AT INFO@AVENLUR.COM

V2

⚠ WARNING

Adult assembly required.

⚠ WARNING

Maximum user weight: 110 lbs (50kg) per child

⚠ WARNING

⚠ CHOKING HAZARD:

Adult assembly required. Keep small assembly parts out of reach of children.

⚠ Use under adult supervision

OBSERVE ALL STATEMENTS AND WARNINGS TO REDUCE THE LIKELIHOOD OF SERIOUS OR FATAL INJURY. SAVE THIS SHEET FOR FUTURE REFERENCE.

OPERATION INSTRUCTIONS

1. An adult should always supervise use of this product by children of all ages.
2. Limit: 2 children. Maximum weight per user: 110lbs (50kg).
3. Instruct children not to attach items to the playground equipment that are not specifically designed for use with the equipment (examples: ropes, clothesline, pet leashes, cables and chain, etc) as they may cause a strangulation hazard or any other hazard.
4. Never allow children to use the equipment in a manner other than intended.

MAINTENANCE INSTRUCTIONS

1. Inspect the product periodically for loose or damaged components. **Tighten bolts if need.**
2. Check all connections and bolts for tightness at least twice monthly during the usage.
3. Check all coverings and bolts for sharp edges.

INSTALLATION INSTRUCTIONS

Please have an electrical drill available for assembly if possible

If you have difficulty in installation, please contact us for help and get installation video for reference

Please Ensure:

1. You are assembling with at least two people to ensure that all sides and parts are leveled.
2. You don't screw the parts in too hard or it will splinter the wood.
3. You follow the directions carefully.

CONTACT US BEFORE ASSEMBLY

If you have assembly questions or if you need parts
whether they are missing or damaged

Call us at 888-697-3931 or email us at

info@Avenlur.com

⚠ ADVERTENCIA

Se requiere adultos para el ensamblaje

⚠ ADVERTENCIA

Peso máximo de 50kg 110libras

⚠ ADVERTENCIA

⚠ Riesgo de asfixia:

Se requiere adultos para el ensamblaje. Mantenga las partes pequeñas fuera del alcance de niños

⚠ Uso bajo supervisión de un adulto

OBSERVAR TODAS LAS DECLARACIONES Y ADVERTENCIAS PARA REDUCIR LA PROBABILIDAD DE LESIONES GRAVES O MORTALES. GUARDE ESTA HOJA PARA FUTURAS REFERENCIAS.

INSTRUCCIONES DE USO

1. Un adulto siempre debe supervisar el uso de este producto por los niños de todas las edades.
2. Límite: 2 niños. Peso máximo por usuario: 50Kg.
3. Indique a los niños que no coloquen elementos en el equipo del patio de recreo que no estén específicamente diseñados para usarse con el equipo (ejemplos: cuerdas, tendedero, correas para mascotas, cables y cadenas, etc.) ya que pueden causar un peligro de estrangulación o cualquier otro peligro.
4. Nunca permita que los niños usen el equipo de una manera distinta a la prevista.

INSTRUCCIONES DE MANTENIMIENTO

1. Inspeccione el producto periódicamente para detectar componentes sueltos o dañados. Apriete los pernos si es necesario.
2. Compruebe que las conexiones y pernos estén apropiadamente apretados al menos 2 veces al mes durante su uso.
3. Verifique que todos los cubiertos y pernos no tengan filos cortantes.

INSTRUCCIONES DE INSTALACIÓN

Tenga un taladro eléctrico disponible para el montaje si es posible.

Si usted tiene dificultad en la instalación, por favor póngase en contacto con nosotros para obtener ayuda y obtener video de instalación para referencia.

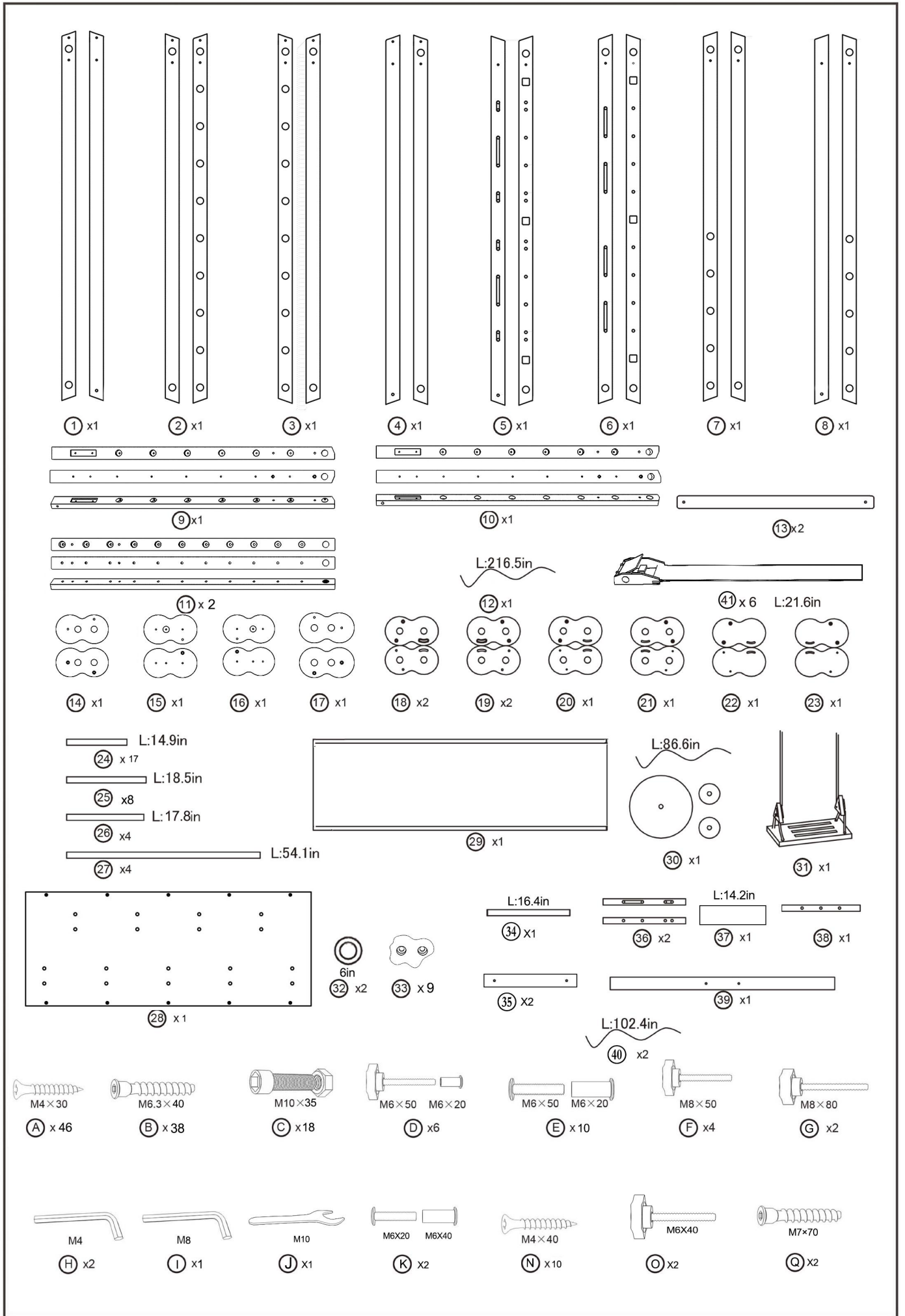
Asegúrese de:

1. Usted está con al menos un adulto más para asegurarse que los lados y partes están nivelados.
2. Que los tornillos y piezas no sean apretados demasiado duro para evitar astillar o romper la madera.
3. Siga las instrucciones cuidadosamente.

CONTACTENOS ANTES DE ENSAMBLAR

Si usted tiene preguntas de ensamblaje o necesita partes,
le faltan piezas o estan dañadas.

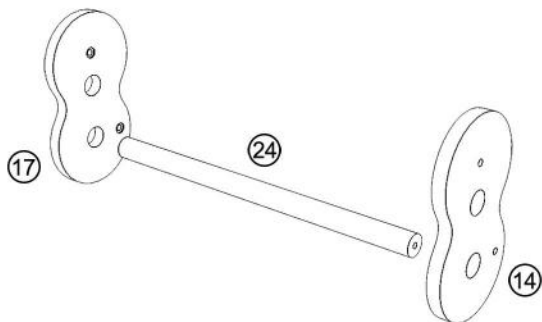
Lámenos al 888-697-3931 or escribanos a
info@avenlur.com



01-1

NOTE:

Check all connections and bolts for tightness at least twice monthly during use. Do not use if screws are loose.

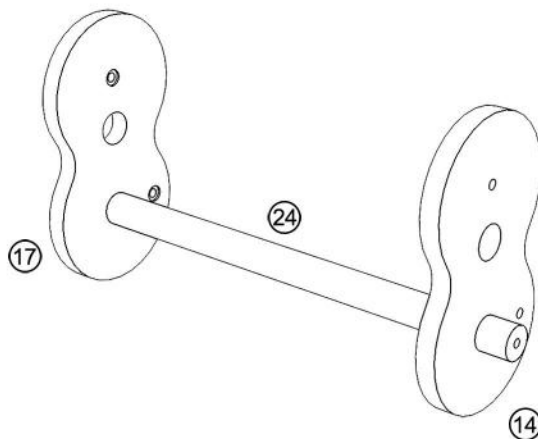


NOTE: Make sure parts 17 and 14 are facing the correct direction, as shown in illustration

01-2

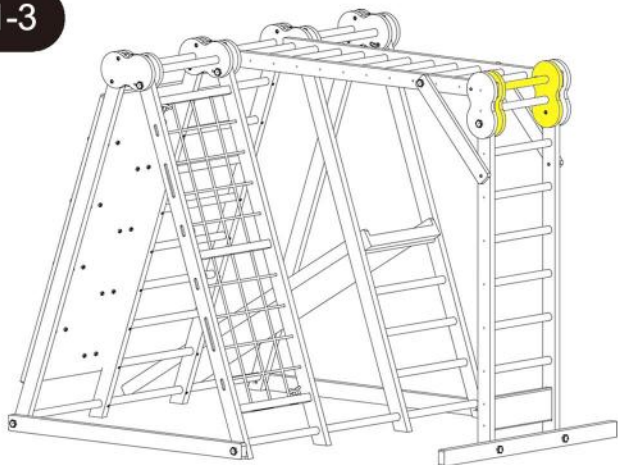
NOTE:

Pay attention to all the black bubbled section markers. The manual may refer back to those later.



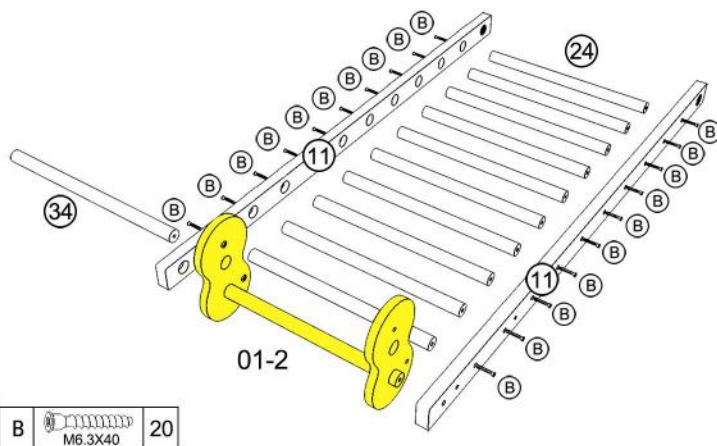
NOTE: No screws needed on this step

01-3

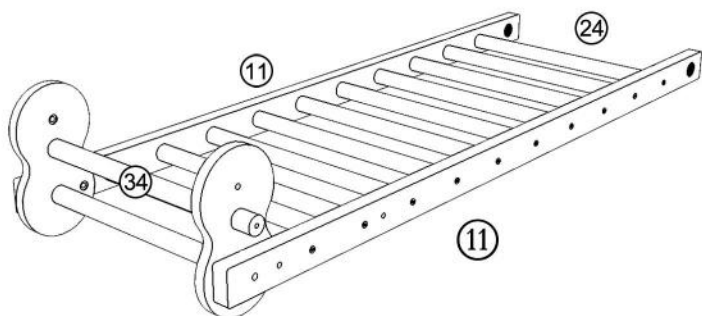


02-1

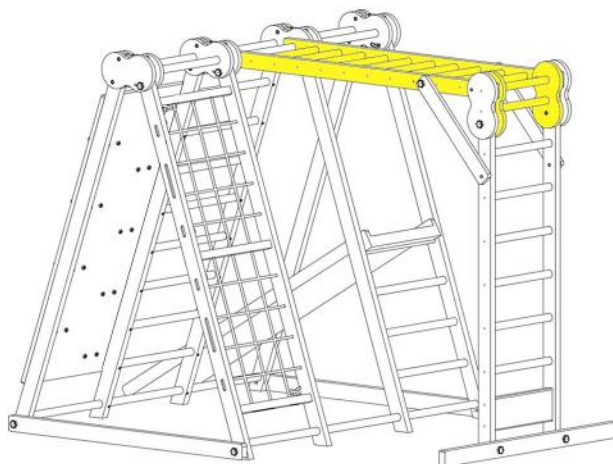
Tip: Align all the parts as shown in the illustration before drilling. Section 01-2 is added without screws at this stage



02-2

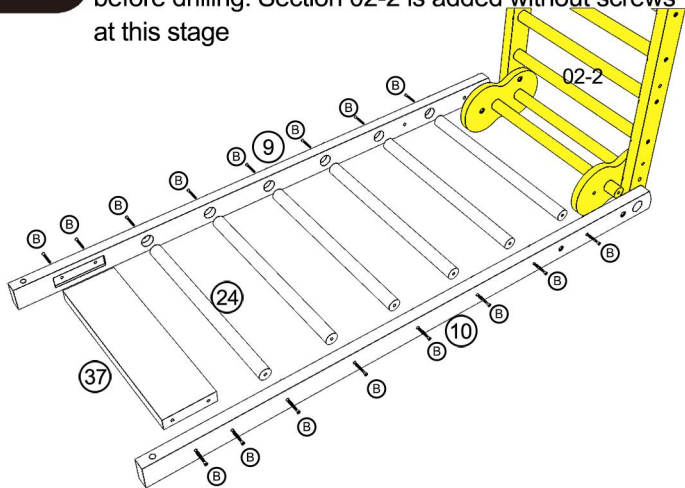


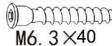
02-3



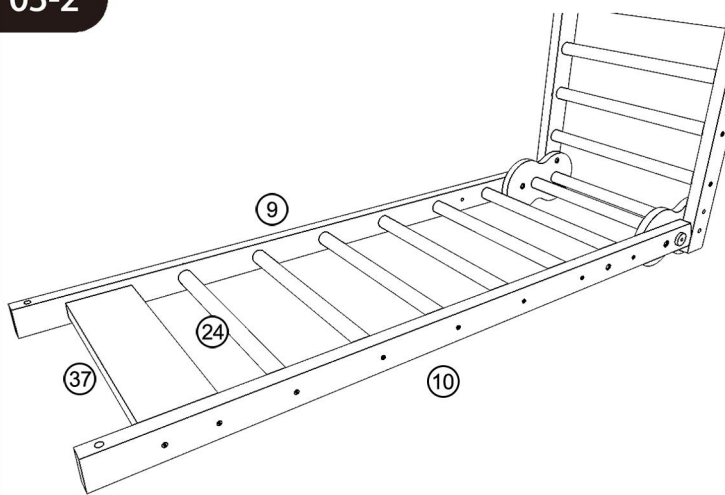
03-1

Tip: Align all the parts as shown in the illustration before drilling. Section 02-2 is added without screws at this stage

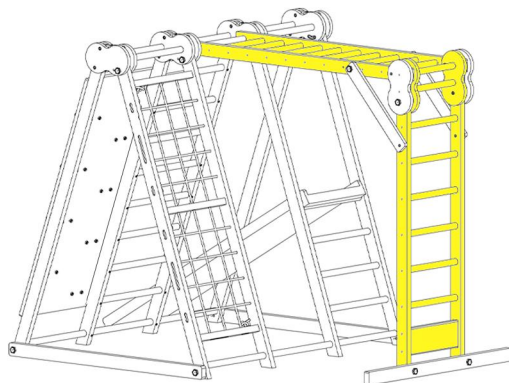
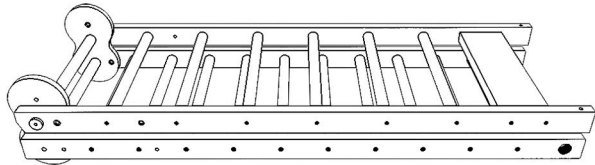
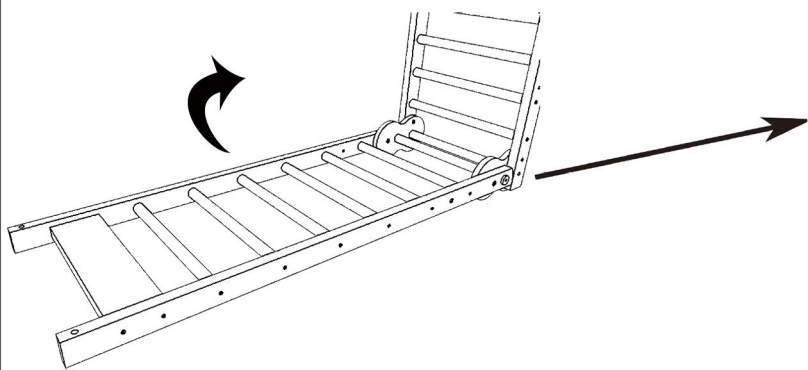


B	 M6. 3 x 40	16
----------	---	-----------

03-2



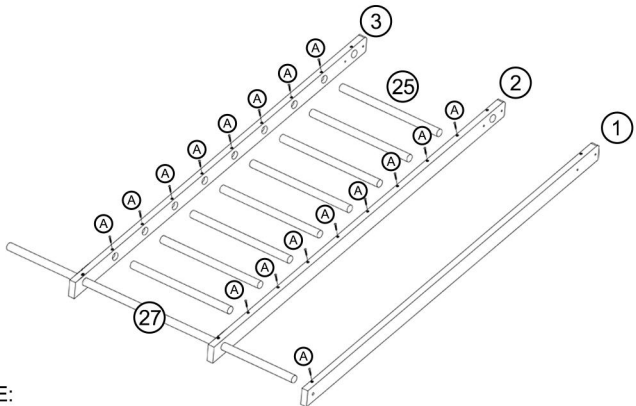
04-1



NOTE: Fold the ladders and flip it over as shown for subsequent assembly

05-1

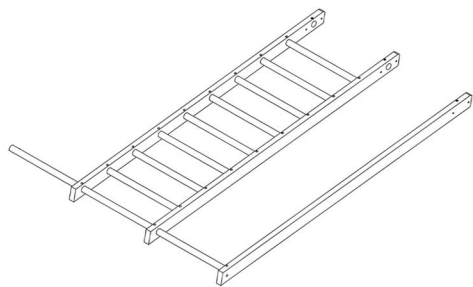
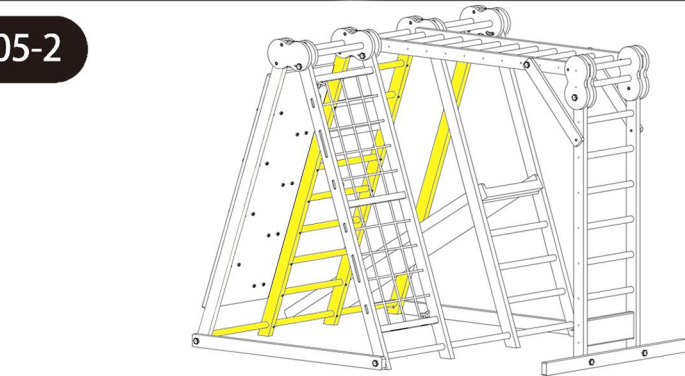
Tip: Align all the parts as shown in the illustration before drilling.



- NOTE:
1. Parts 1, 2, 3(x1): All drill holes should be facing upwards; The slope of ends should be at the same angle
 2. Part 25(x8): Sit between part 2 & part 3
 3. Part 27(x1): Goes through parts 3 & 2, ending at part 1.

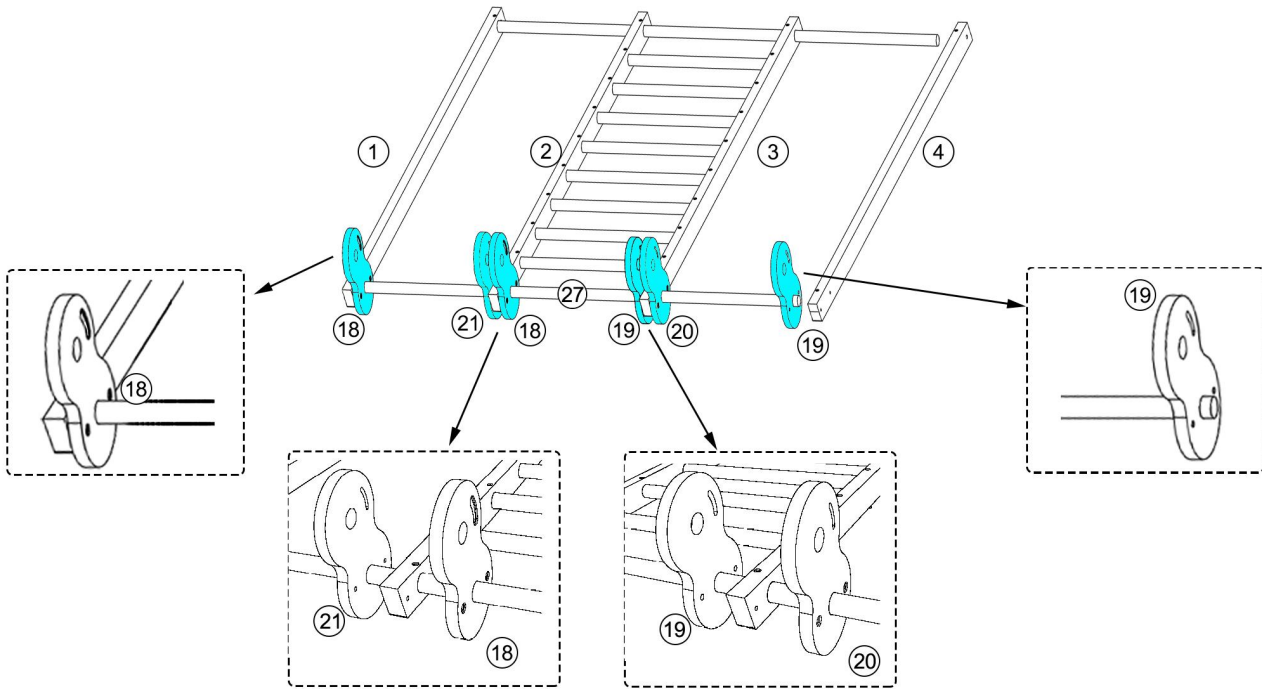
A	 M4 x 30	17
----------	--	-----------

05-2

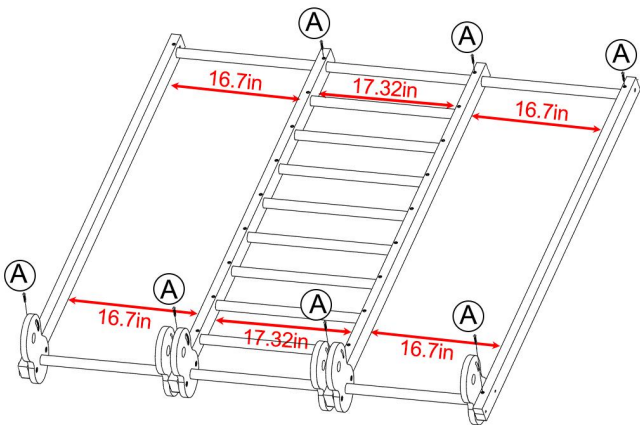


06-1

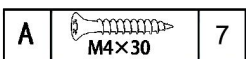
Note: Part 18, 19, 20, 21 are placed in the direction as shown,
Slide part 27 through those parts from left to right, ending at
part 1. Then add part 4.



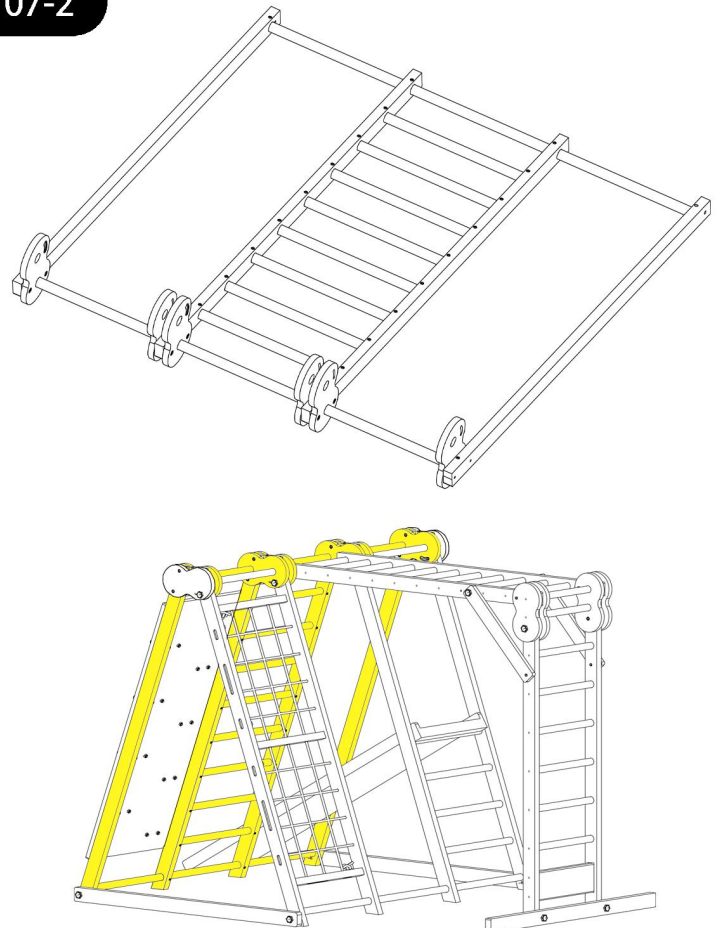
07-1



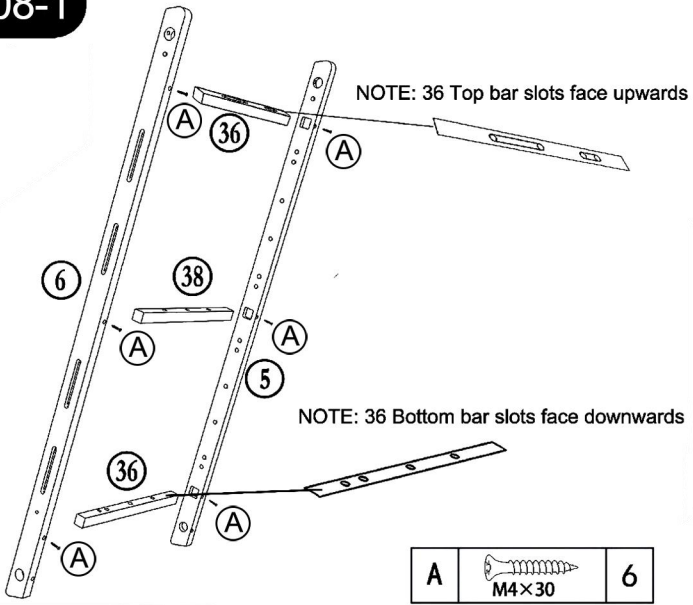
Note: Measure the dimensions 16.7in as shown before
tightening the screws



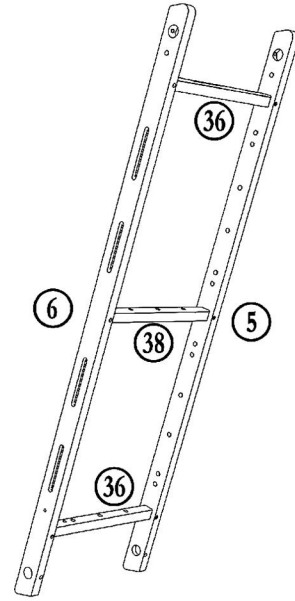
07-2



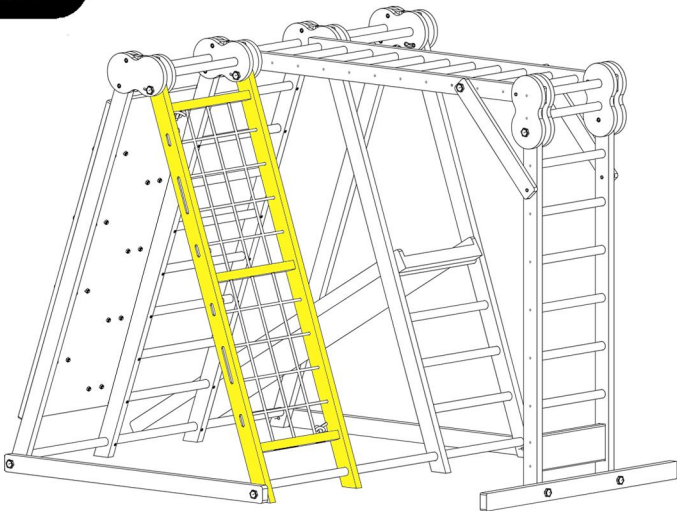
08-1



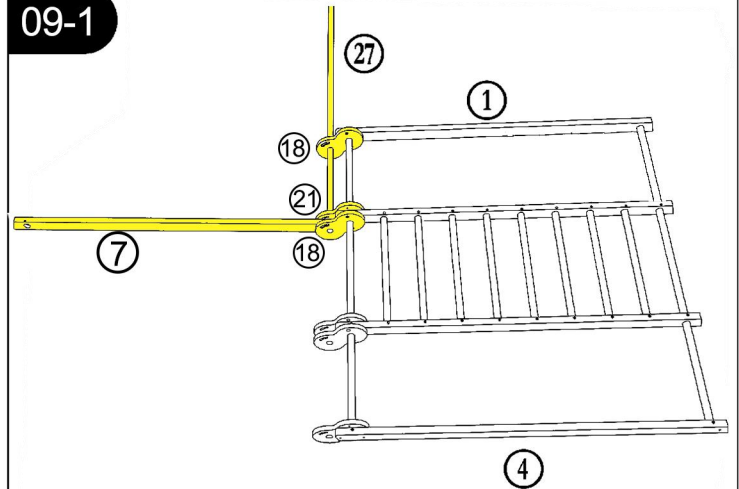
08-2



08-3

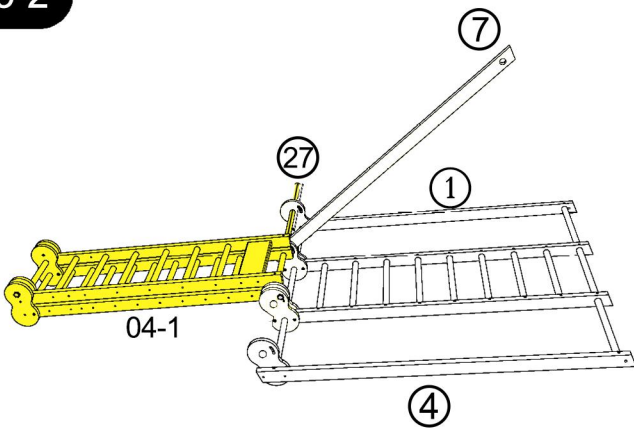


09-1



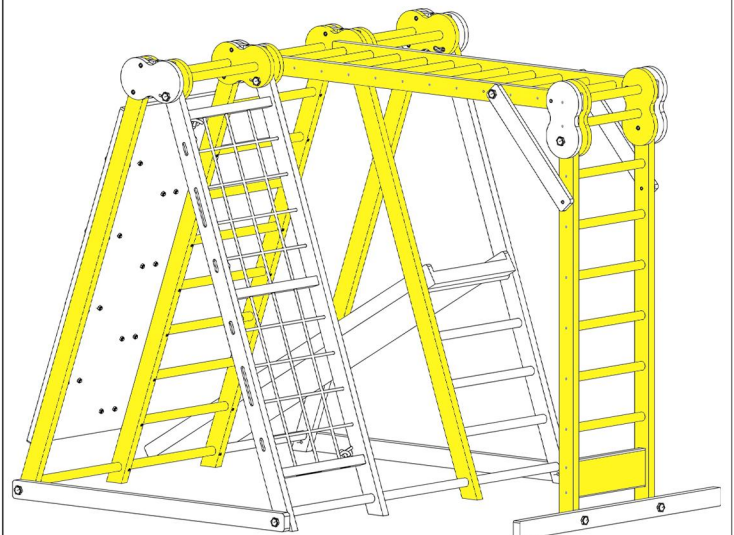
Note: Slide part 27 through part 18, 21, 7, ending at part 18 as shown

09-2

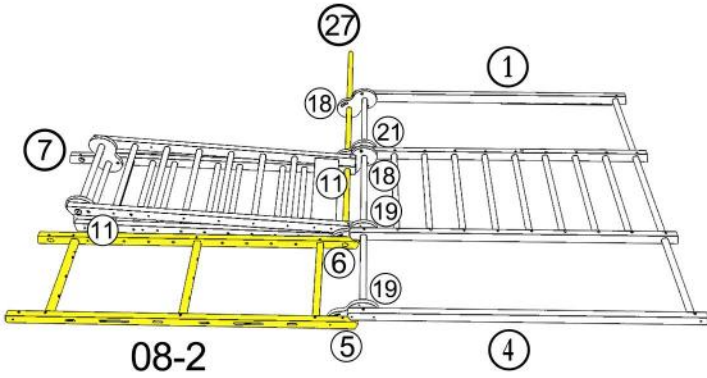


NOTE: Add the folded ladder (04-1) with the holes on the floor to slide part 27 through

09-3

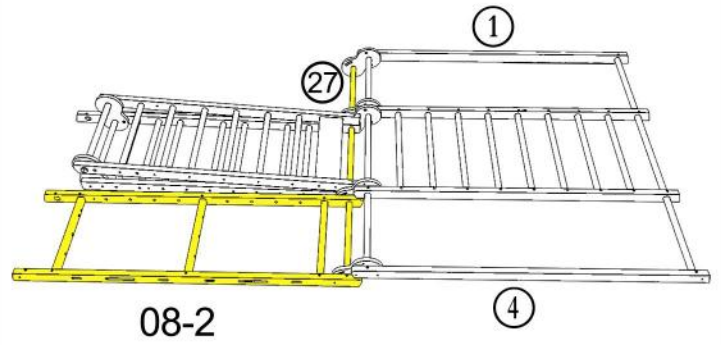


10-1

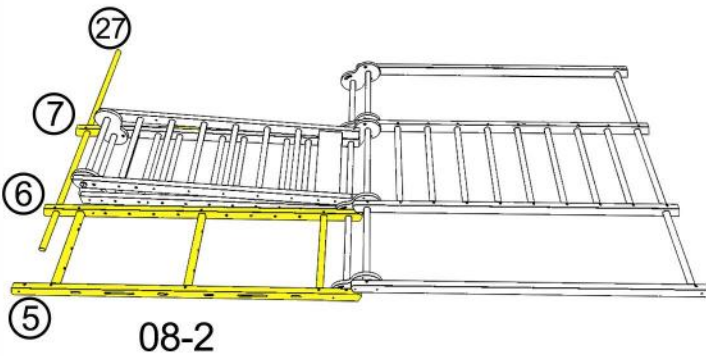


NOTE: Add section 08-2 with rounded ends touching the set and part 5 facing outward. Pass the same part 27 from section 09-2 through holes 19, 6, the other 19, and end at 5, in that order. Do not screw in until later.

10-2

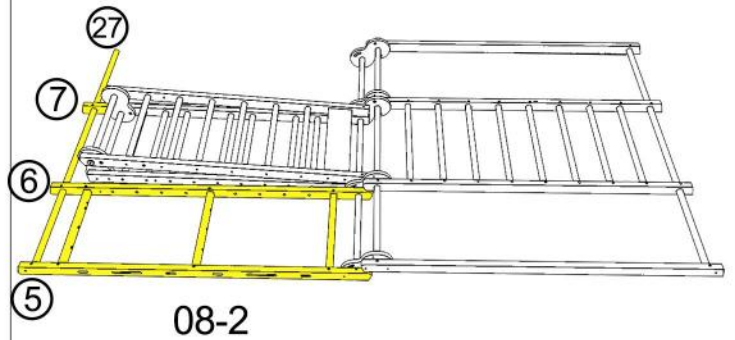


11-1

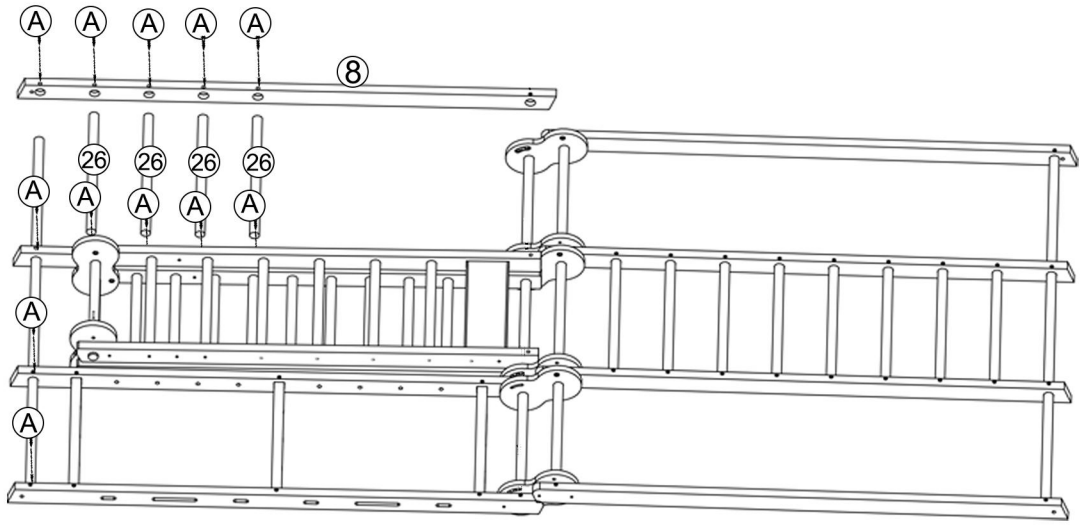



NOTE: Add (another) part 27 through ends of 7, 6, ending at 5

11-2



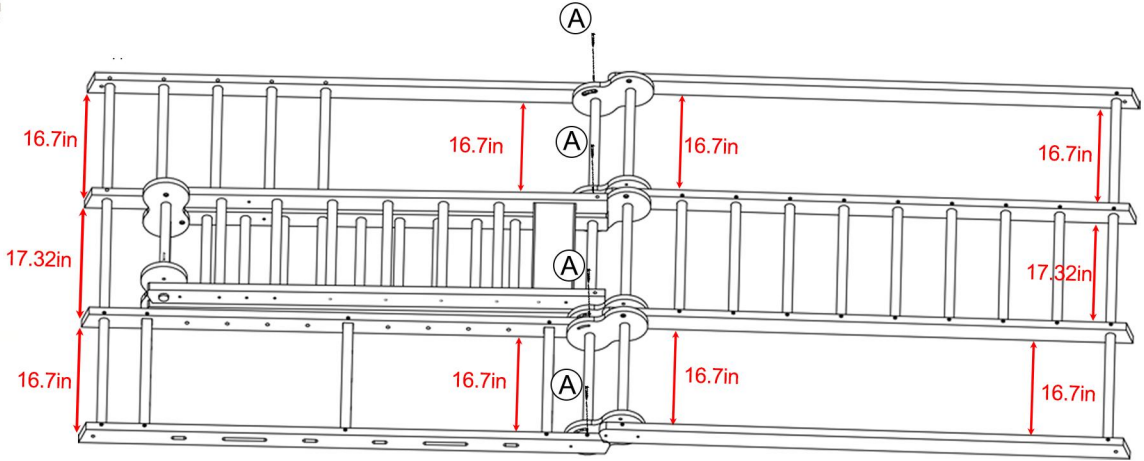
12-1

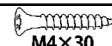


A	 M4x30	12
---	--	----

NOTE: After adding #26 (x4) and #8, attach shown parts with screw A

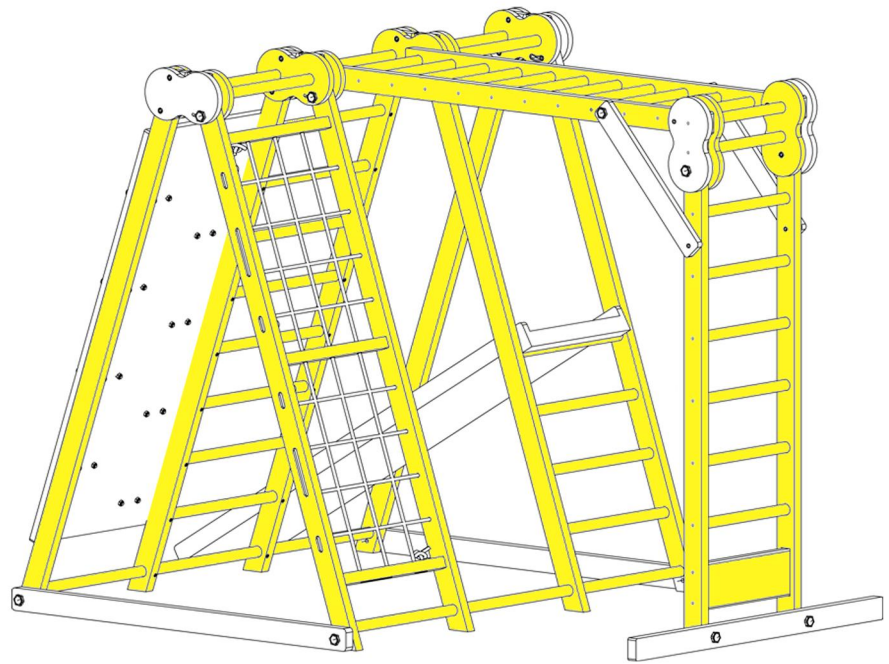
12-2



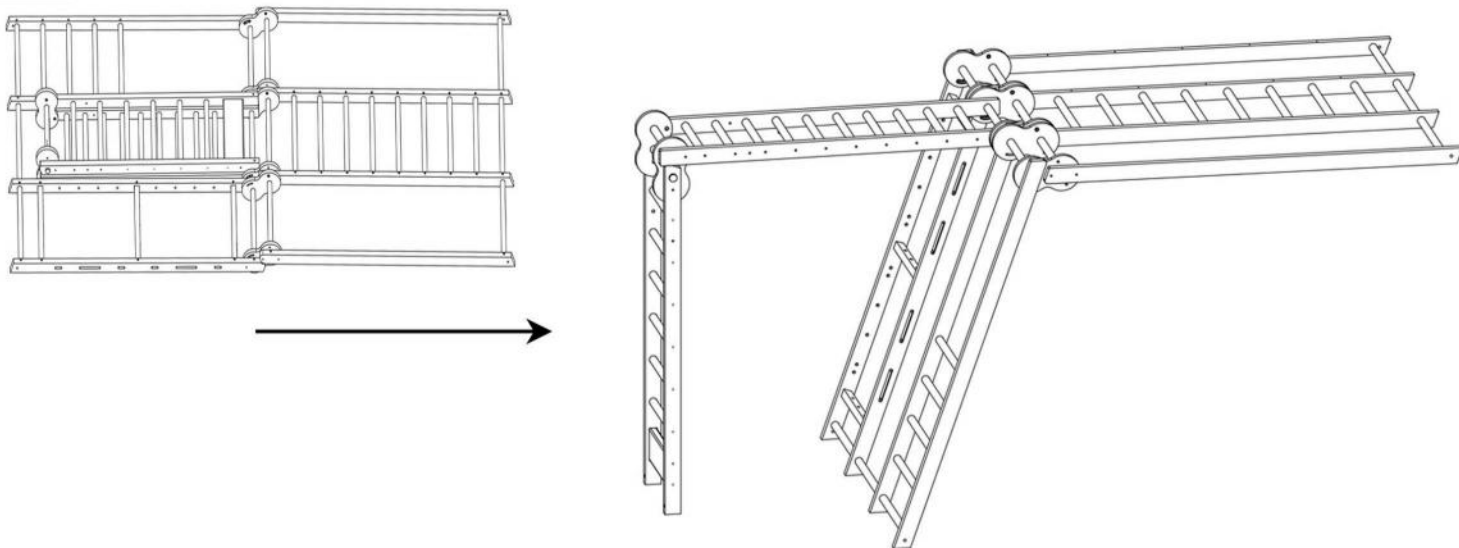
A	 M4x30	4
---	--	---

Note: Measure the dimensions 16.7in as shown before tightening the screws

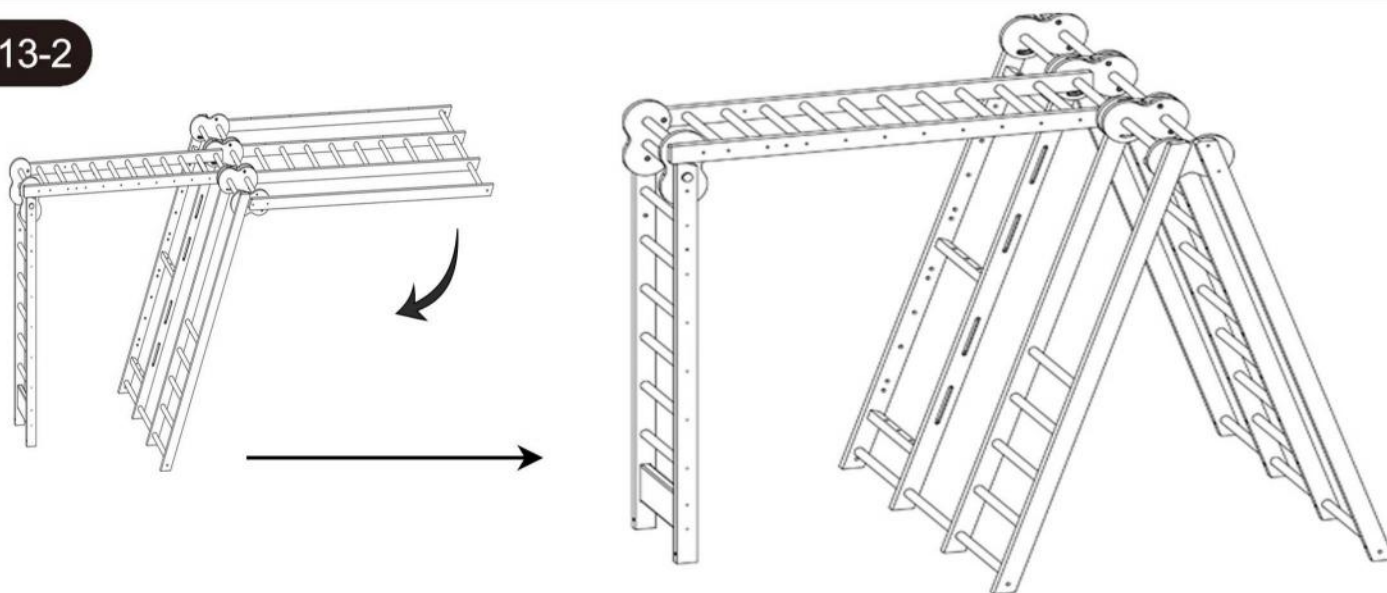
12-3



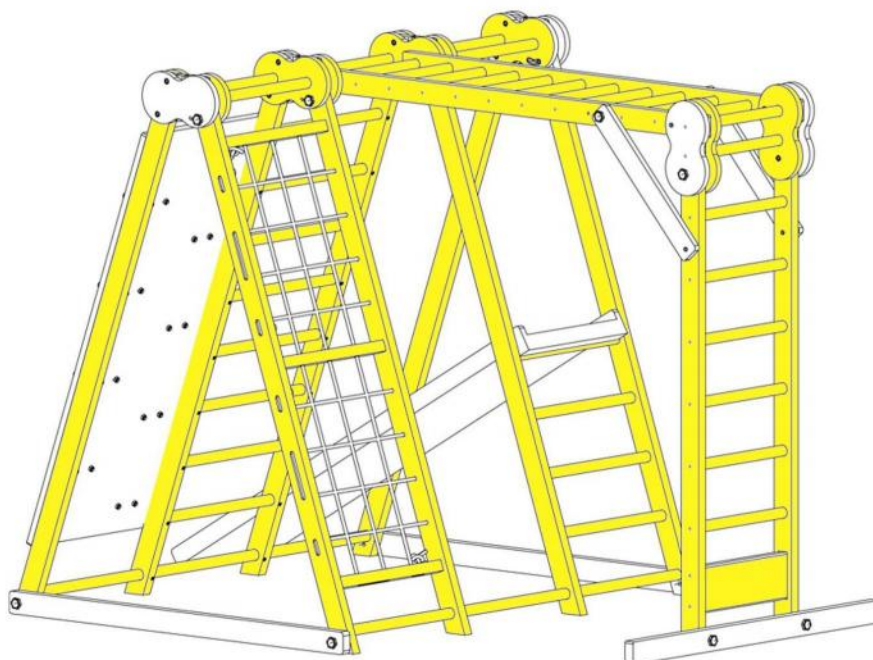
13-1



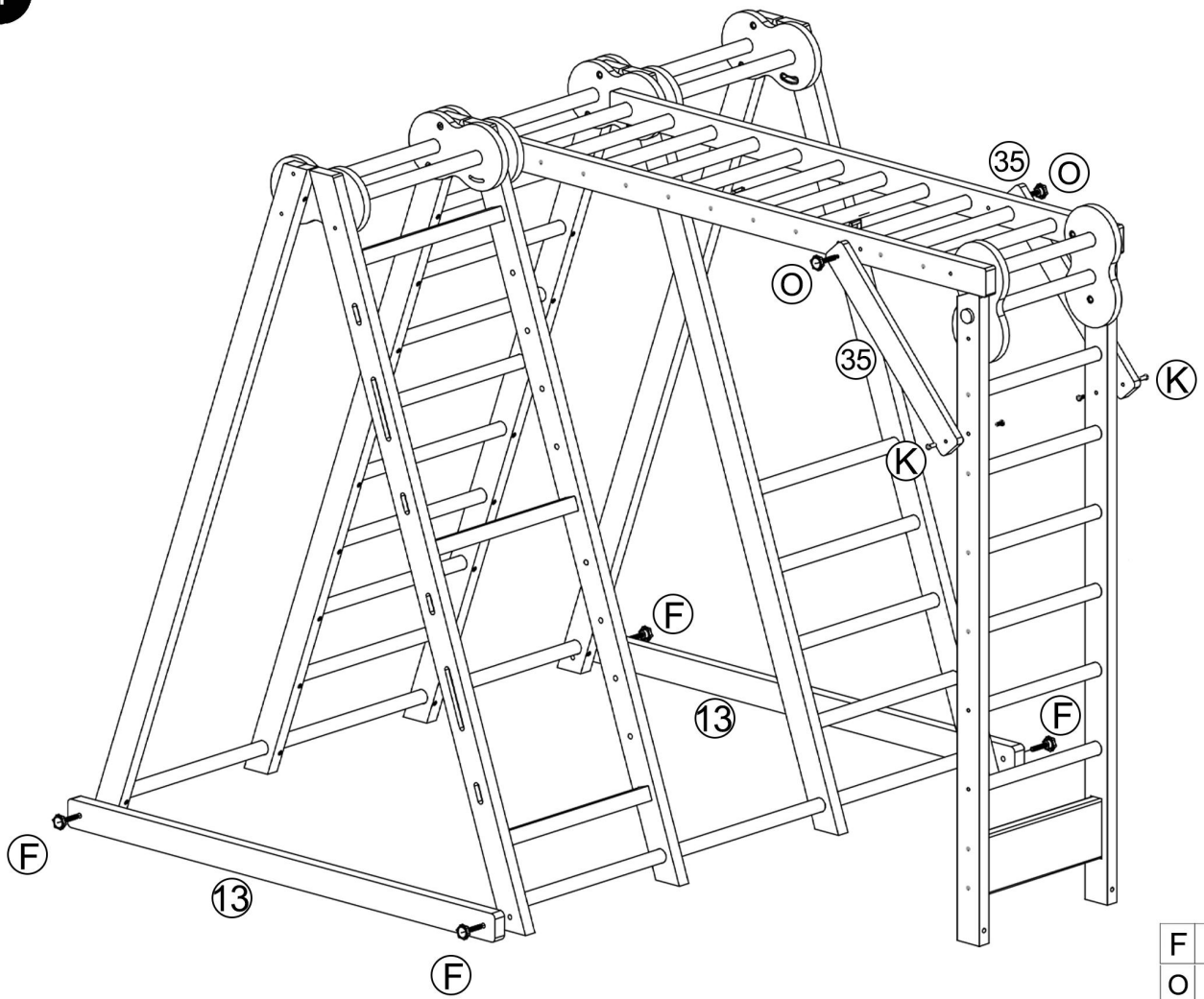
13-2



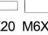


13-3

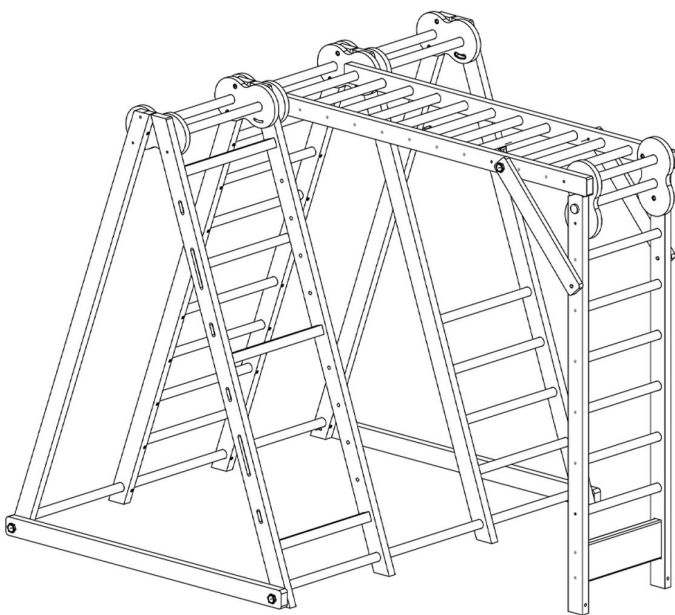


14-1

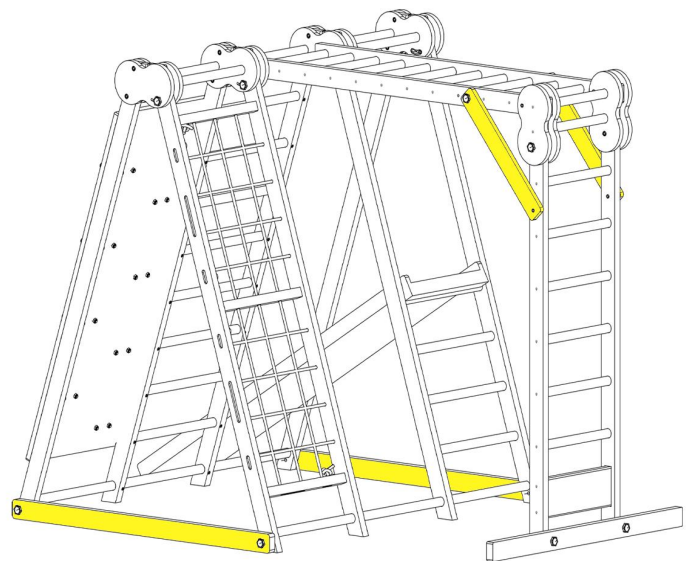


F	 M8x50	2
O	 M6x40	2
K	 M6x20 M6x40	2

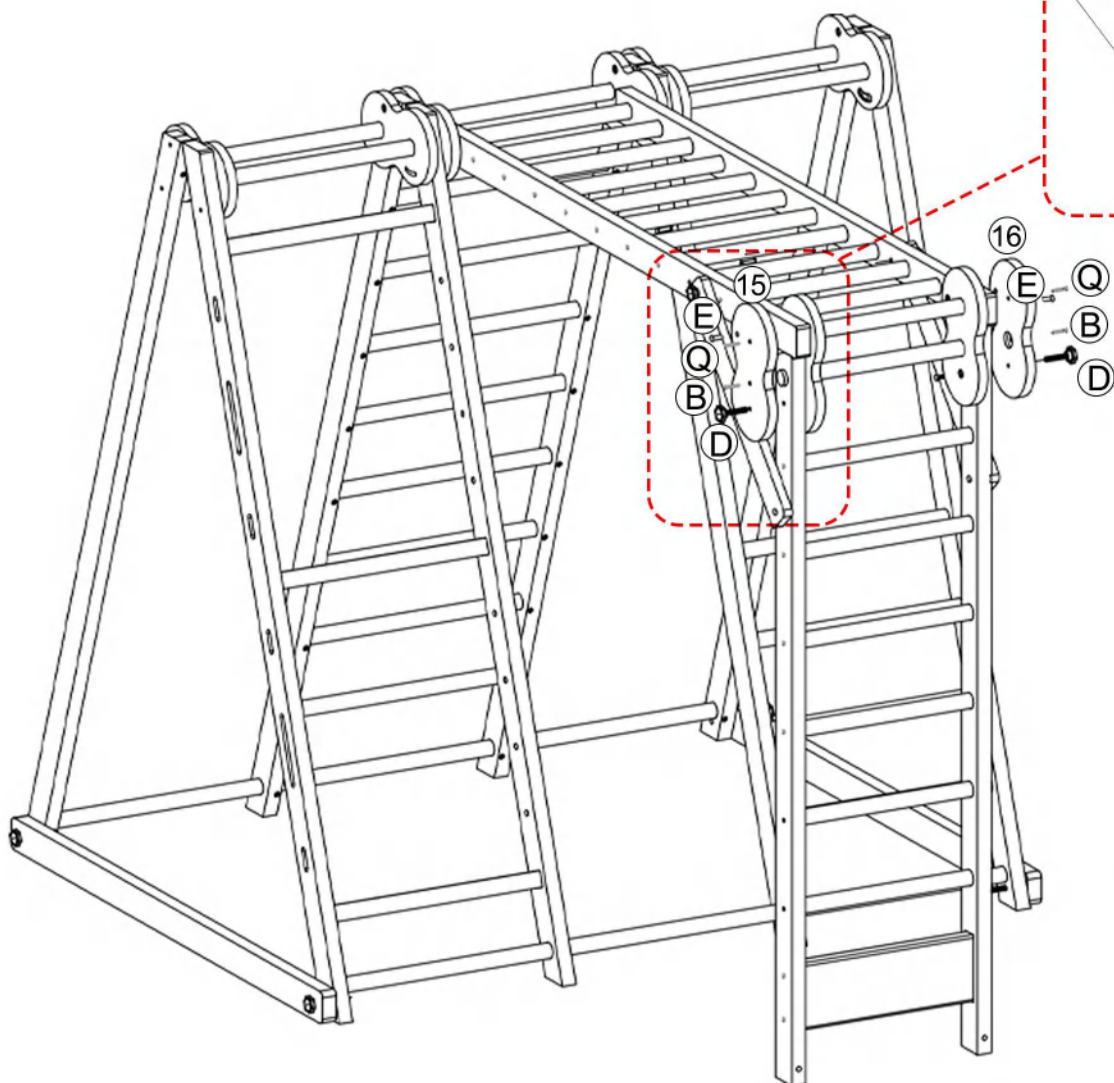
14-2

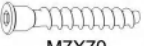

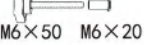
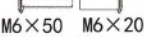


14-3



15-1

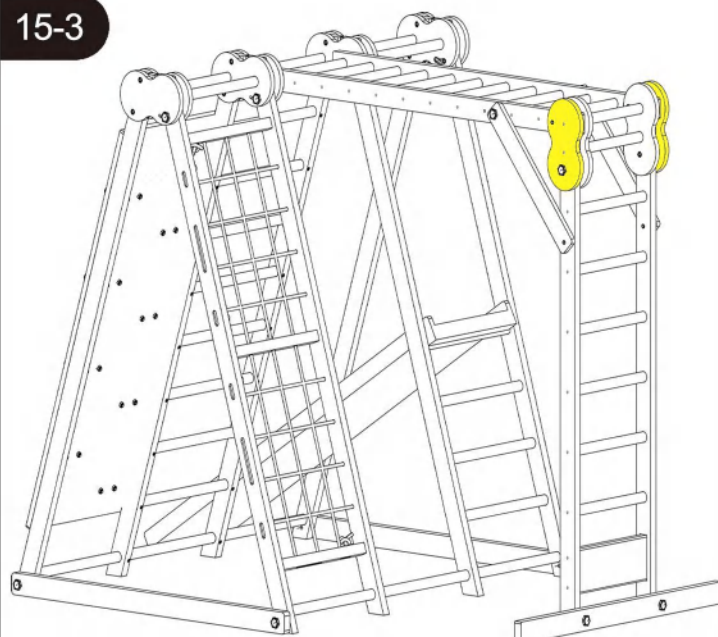


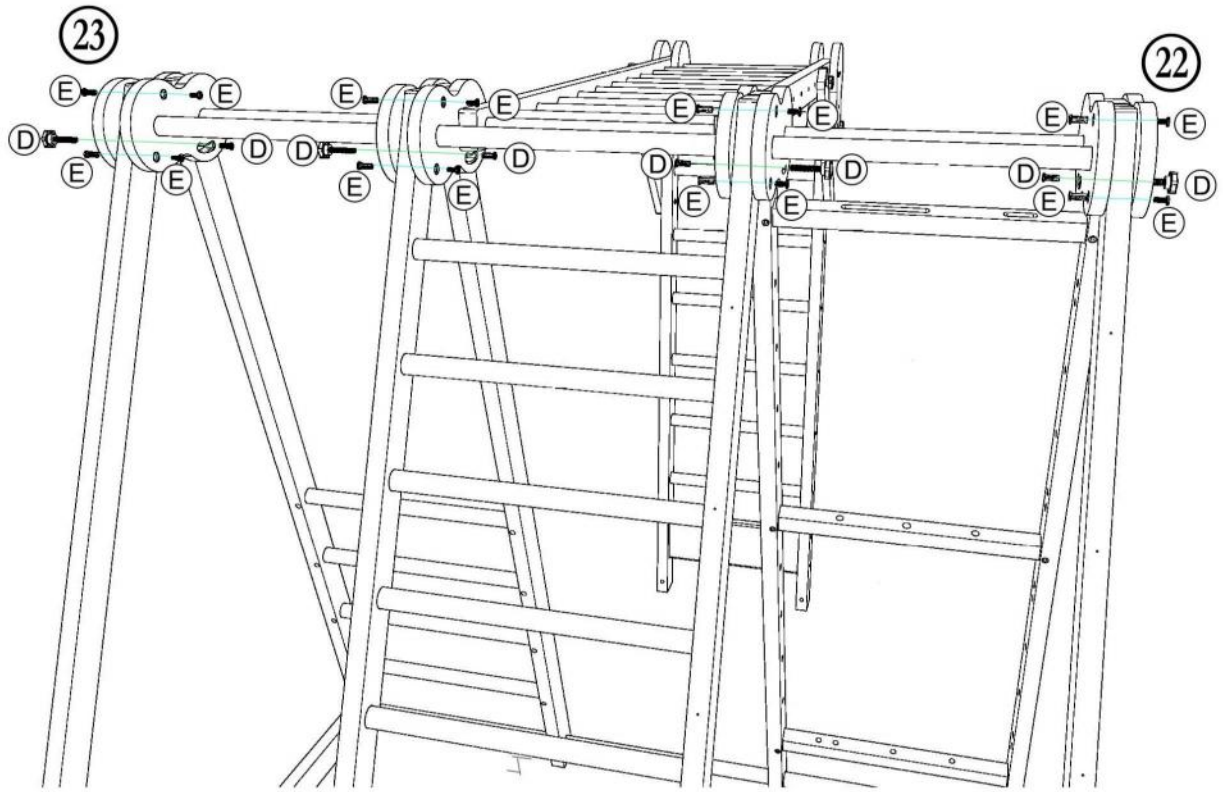
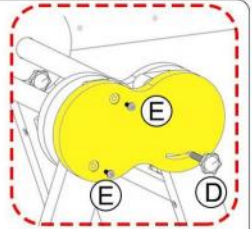
Q	 M7X70	2
B	 M6.3X40	2
D	 M6×50 M6×20	2
E	 M6×50 M6×20	2



15-2

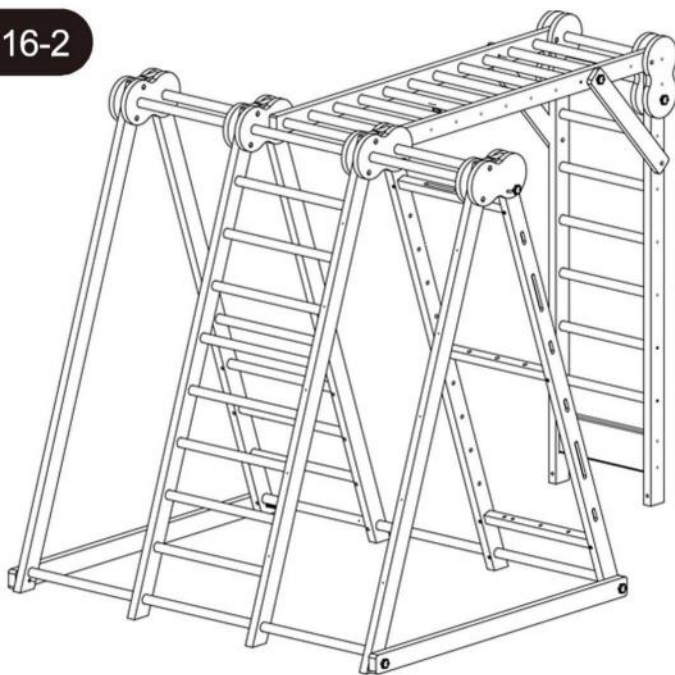


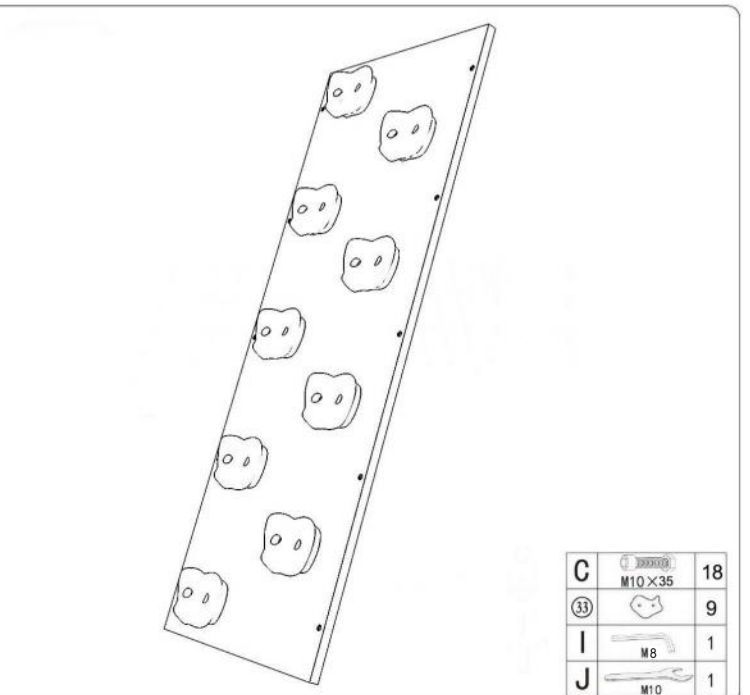
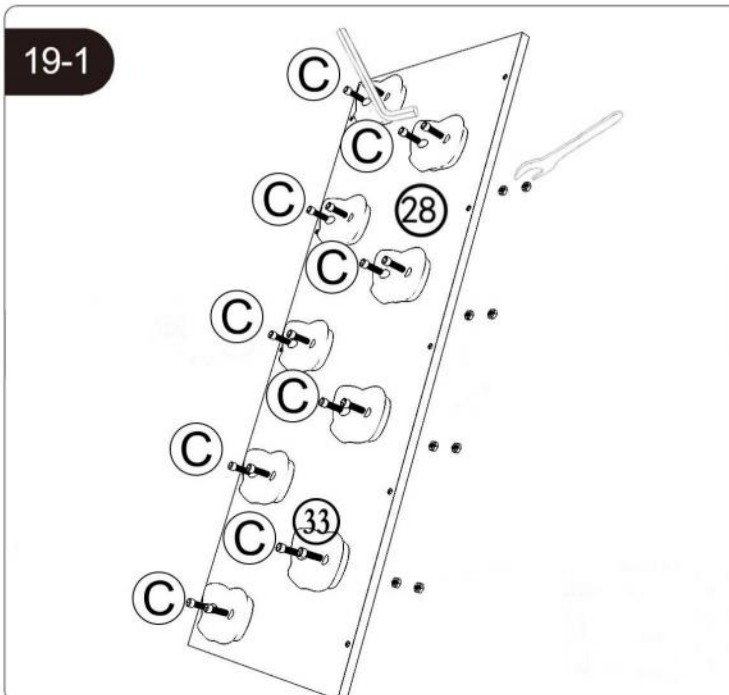
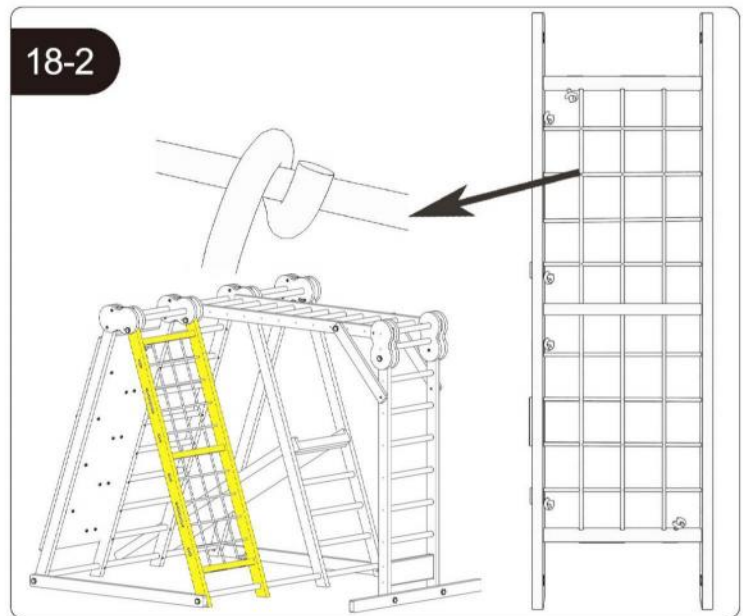
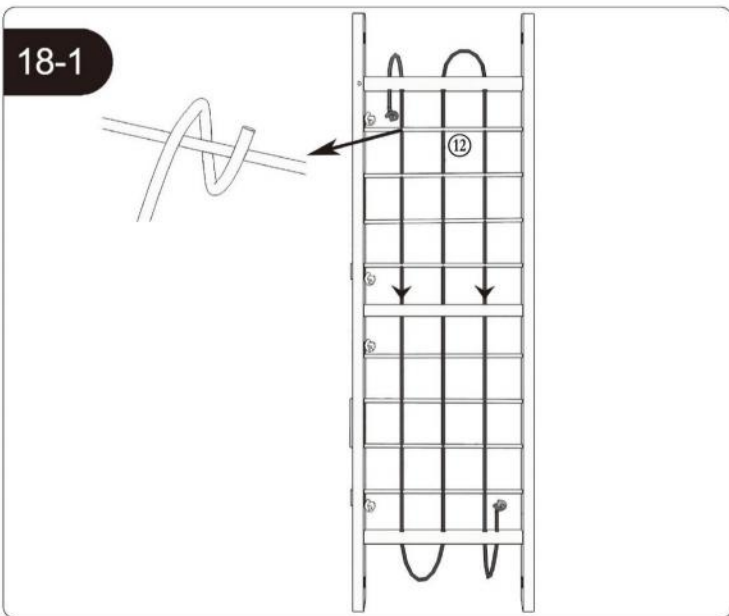
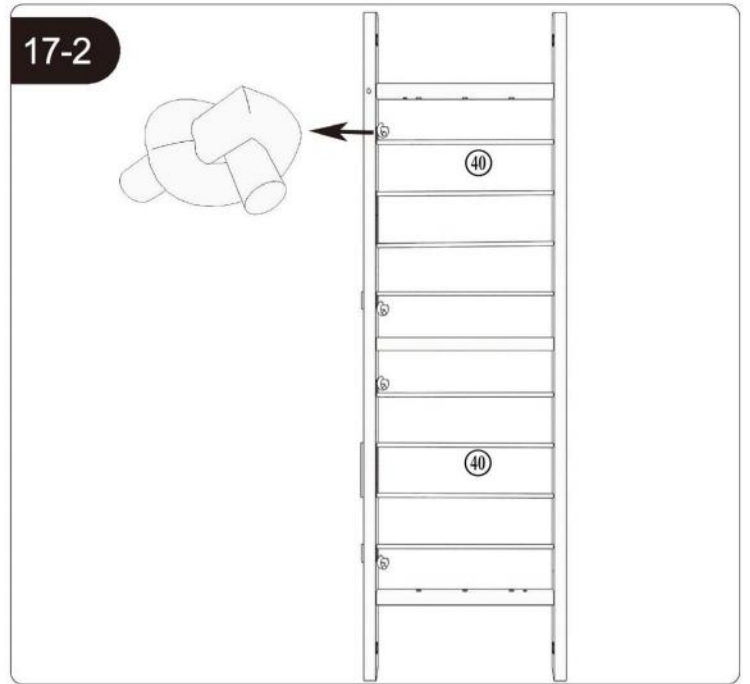
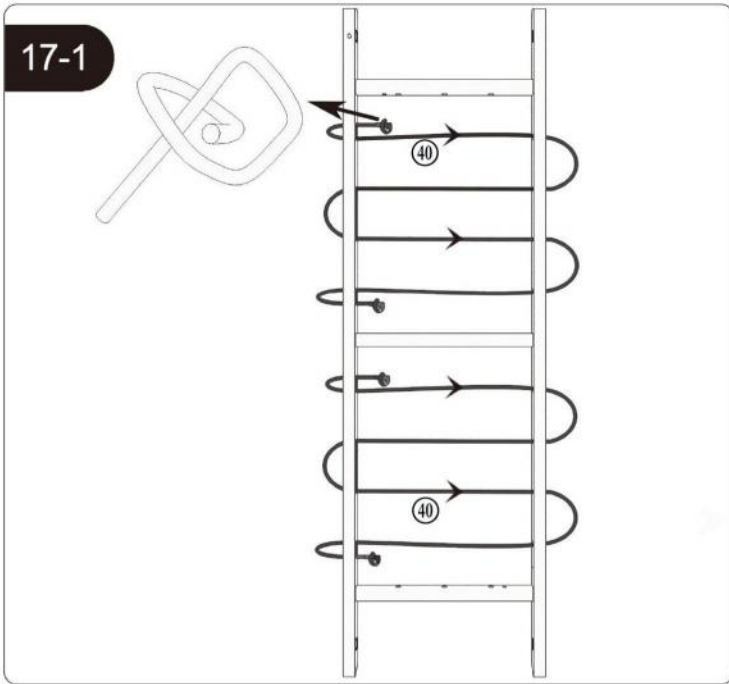
15-3



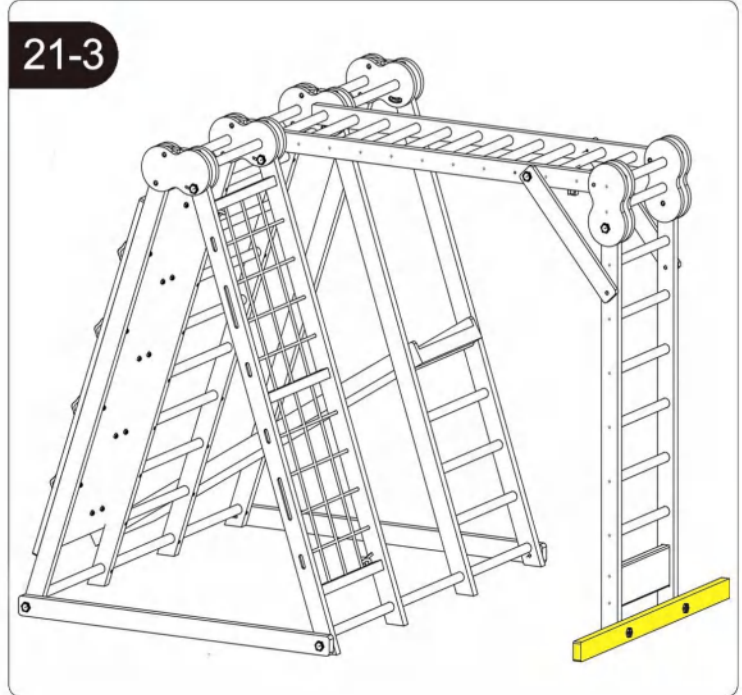
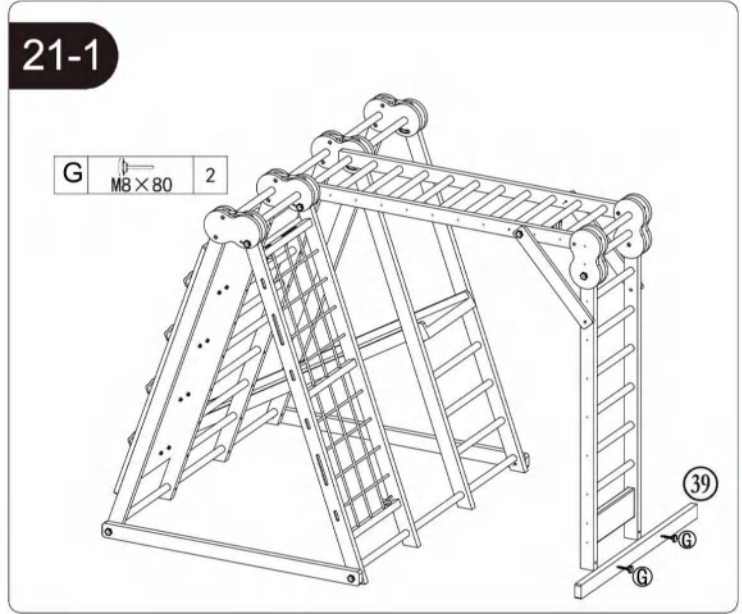
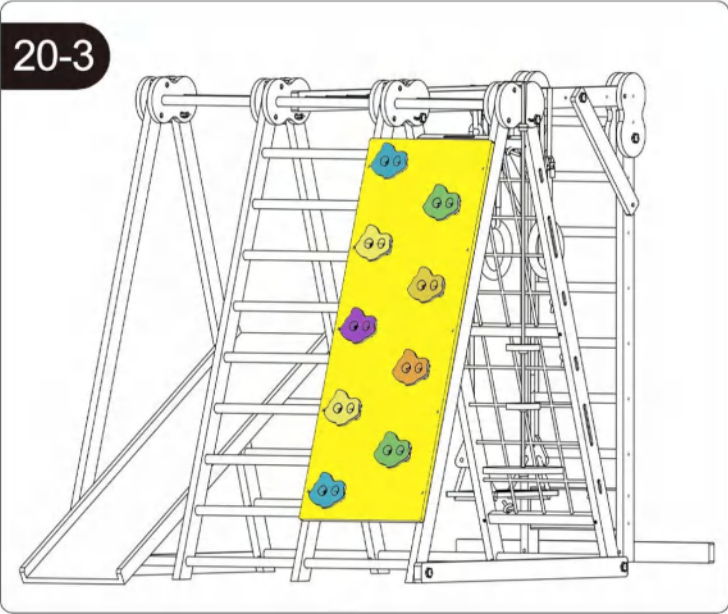
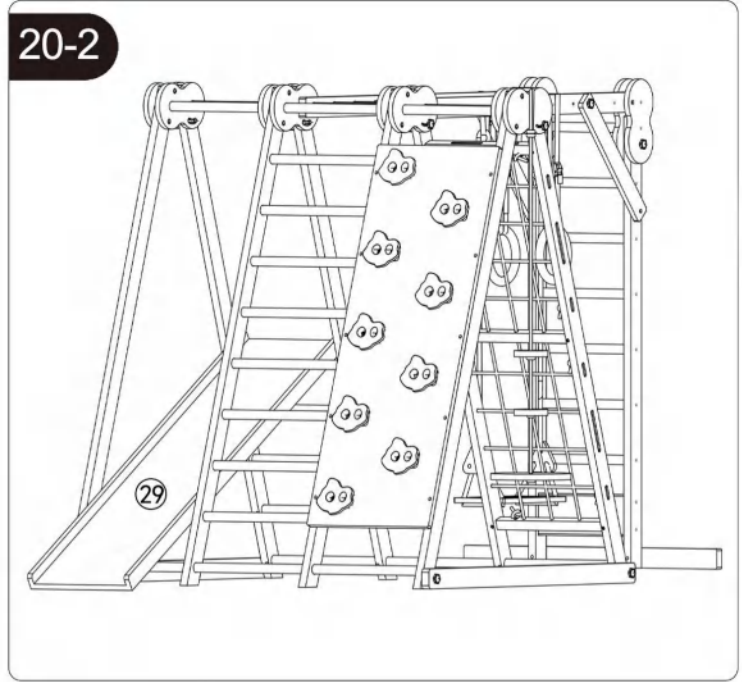
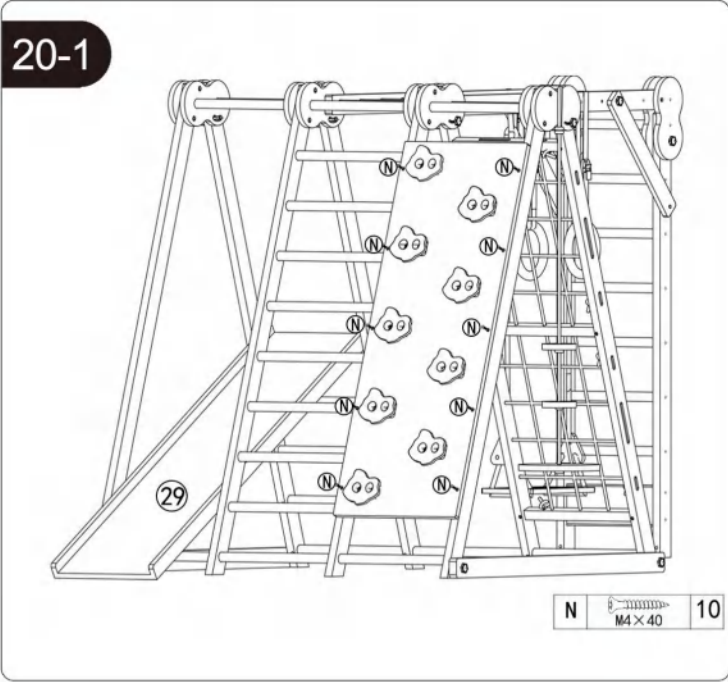


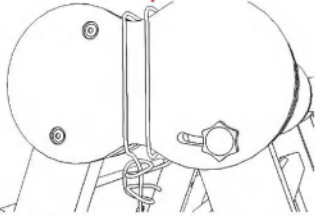
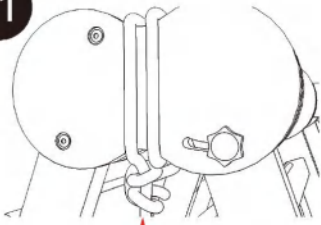
D	 M6 × 50 M6 × 20	4
E	 M6X50 M6X20	8



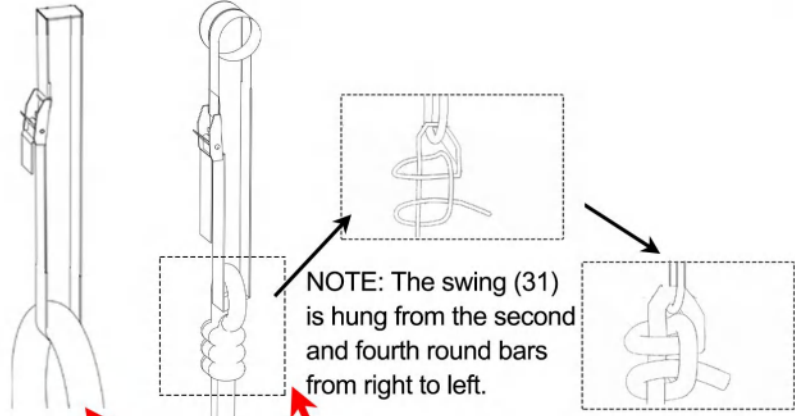


C	M10 x 35	18
33		9
I	M8	1
J	M10	1



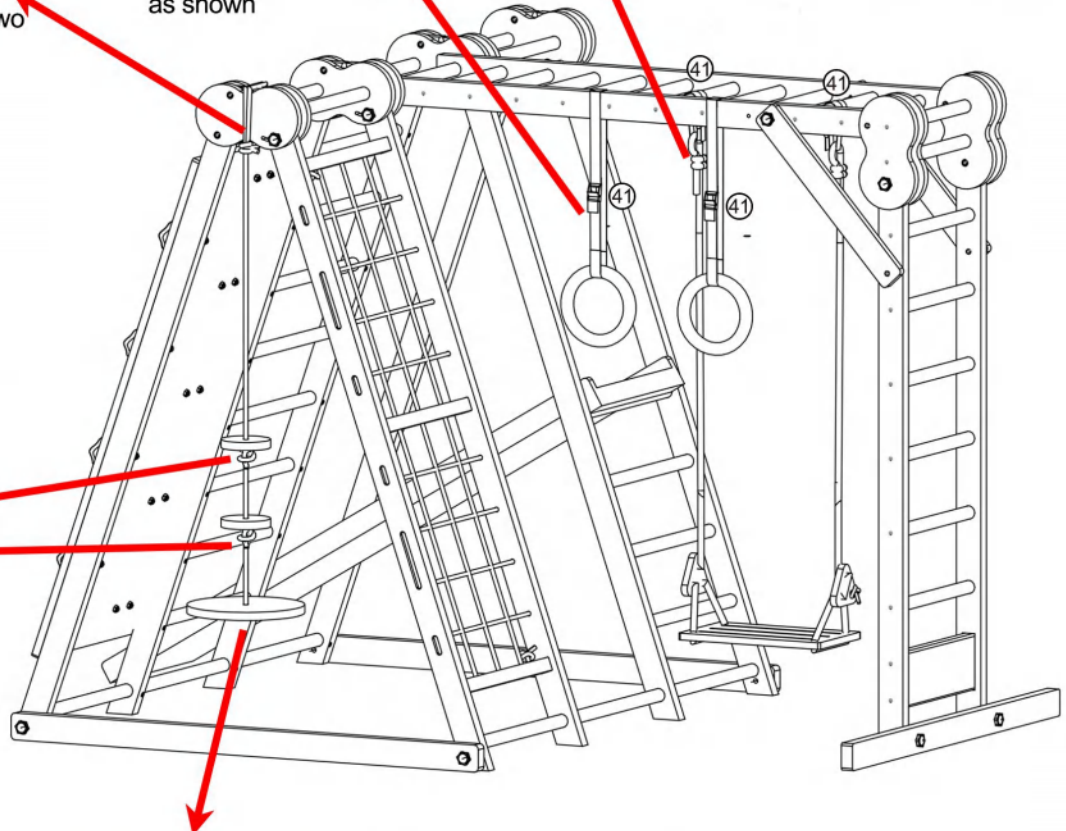
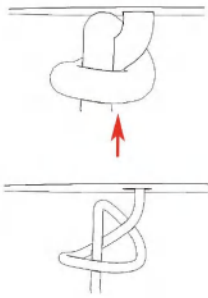


NOTE: The rope wraps around two times with two knots

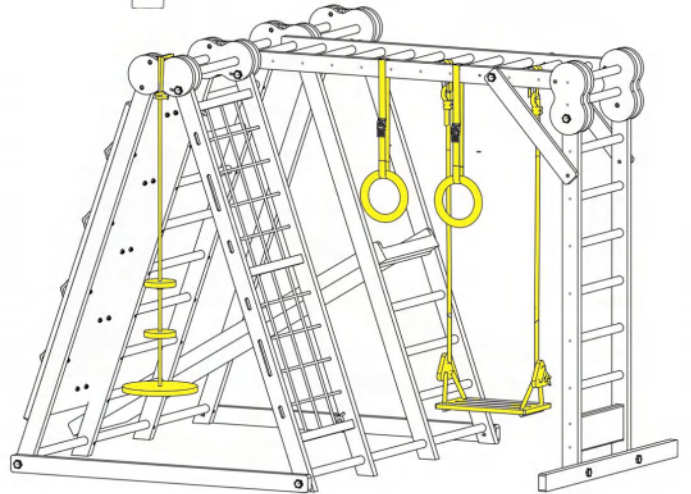
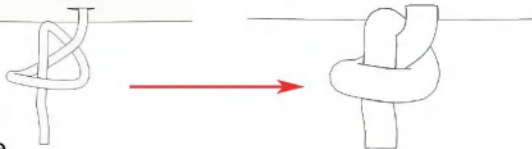


NOTE: The swing (31) is hung from the second and fourth round bars from right to left.

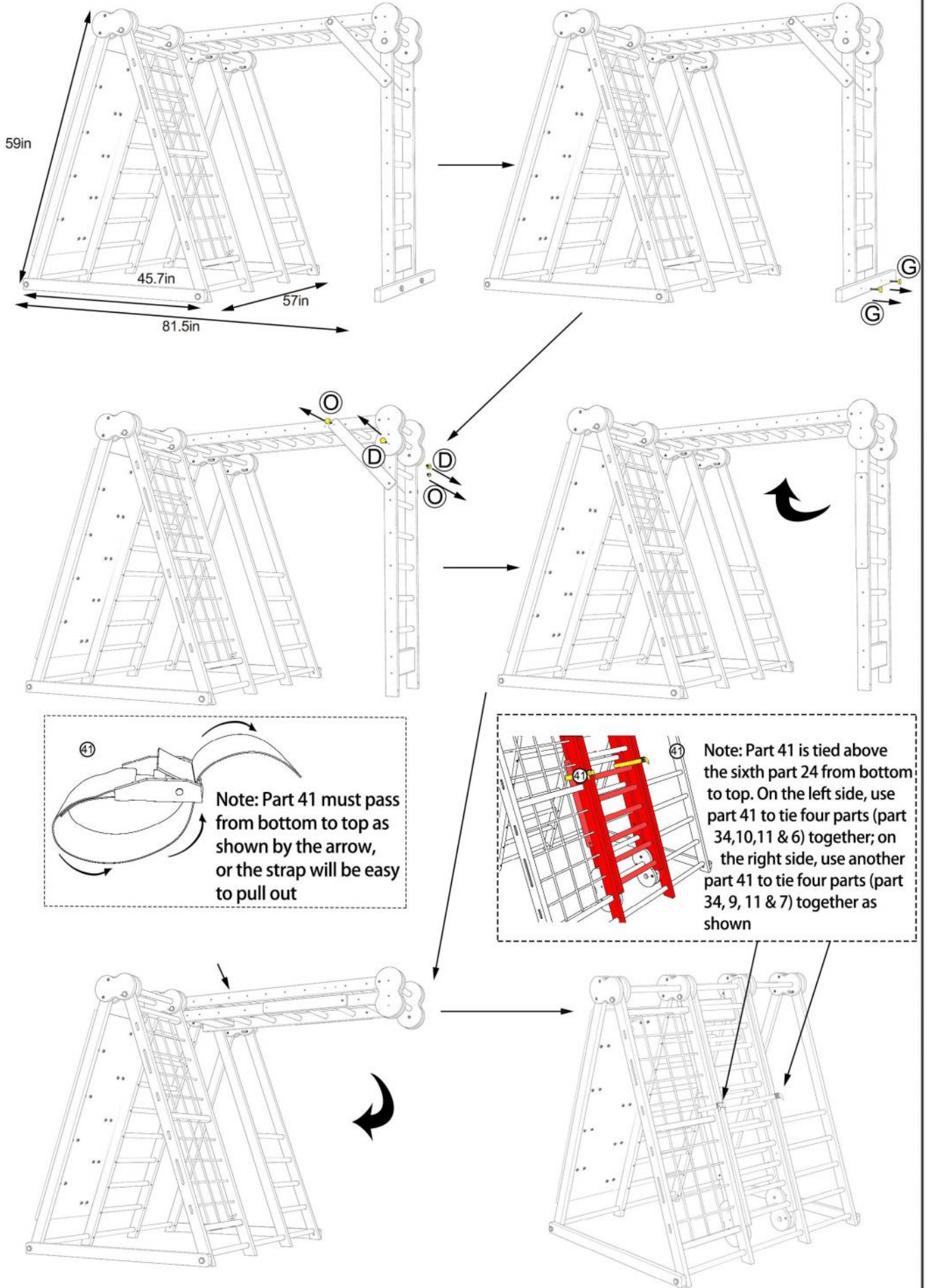
NOTE 2: The rings (32) are hung on the outside bar. One ring is hung between the sixth and seventh round bars, another one is hung between the eighth and ninth round bars as shown



NOTE: Tie a knot at one end of rope (30), place a disk in a knot every 10 inches, the largest disk is at the bottom as shown in the illustration.



Folding steps



Folding steps

