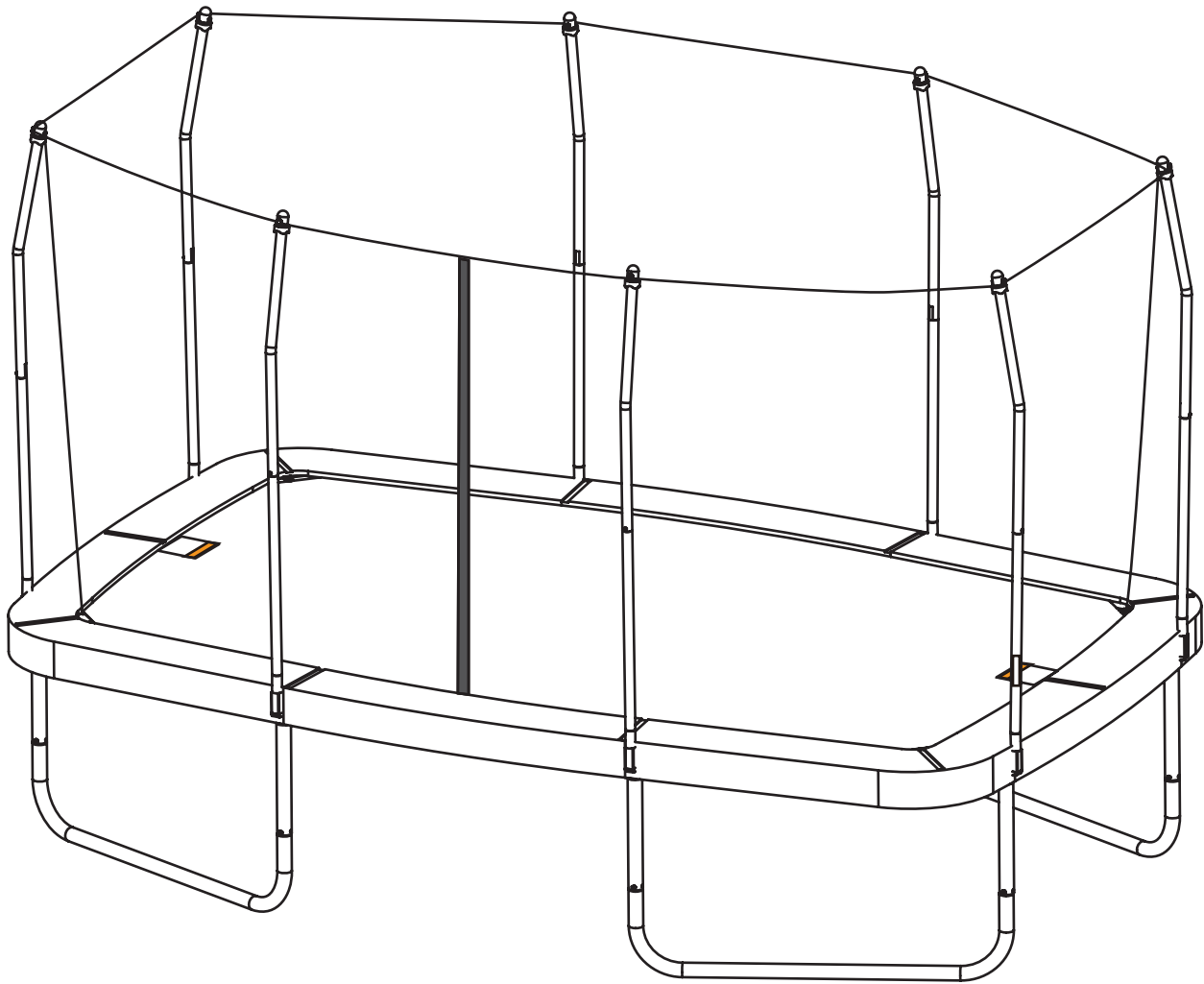


ASSEMBLY, MAINTENANCE, & **USER MANUAL**

MODEL #STRC1400



WARNING

Read all precautions and instructions in this manual before using this equipment. Save this manual for future reference.

Maximum user weight 200 lbs.

SKYWALKER

TRAMPOLINES

Skywalker Holdings LLC
P.O. Box 574, Brigham City, UT 84302

TABLE OF CONTENTS

Part List.....	3
Part Identification.....	4-5
Exploded Drawing.....	6
Assembly.....	7-18
Maintenance and Care Information.....	19
Instructions for Use.....	20
Warning Label Placement.....	21
Instructions and Model Lessons.....	22-23
Trampoline Safety Information.....	24
Enclosure Safety Information.....	25
Methods of Accident Prevention.....	26
Limited Warranty.....	27



STOP EVERYTHING YOU'RE DOING AND REGISTER YOUR TRAMPOLINE

Find our warranty registration online by typing in: www.skywalkertrampolines.com/registration/

You'll need to have the following information handy:

- Name
- Address
- Phone number
- Date of purchase
- Email address
- Trampoline model number
- Trampoline serial number
- Retailer the trampoline was purchased from

HEY WE'VE GOT SOMETHING REALLY IMPORTANT TO SAY

And that is... check us out online! We've got **assembly videos** (for those of you who prefer movies over books), **FAQs** (just in case you have a question someone else has already asked), fascinating **blog posts** (did you know jumping burns more calories than running?), and most importantly... find us on social media! Because we want to be your friend. **We'd love to hear from you, friend.**

Website: skywalkertrampolines.com

Facebook: facebook.com/skywalkertrampolines

YouTube: youtube.com/c/SkywalkerTrampolines

Pinterest: pinterest.com/swtrampolines

Twitter: twitter.com/swtrampolines

Instagram: instagram.com/skywalker_trampolines



IMPORTANT

Trampolines and enclosures are susceptible to winds. Be sure to secure your trampoline and enclosure. Wind damage is not covered in the warranty of your trampoline.



WARNING

CHOKING HAZARD- Small parts not for children under 3 years.



WARNING

Adult assembly required.

PART LIST

Key No.	Qty.	Description	Key No.	Qty.	Description
1	8	Socket (may be pre-installed)	14	8	Pole Cap
2	4	Corner Tube	15	8	End Cap
3	4	Middle Tube	16	8	M5x50mm Bolt
4	8	Leg Post	17	8	Self-tapping Screw
5	4	Leg Brace	18	16	M6x63mm Bolt
6	1	Jump Mat	19	32	M6 Washer
7	80	Long Spring	20	16	M6 Nut
8	4	Short Spring	21	1	Spring Tool
9	1	Frame Pad	22	1	Screw Driver
10	1	Enclosure Net	23	1	Wrench
11	8	Curved Tube	#	1	User Manual & Safety Placard
12	8	Straight Tube	#	1	Set of ASTM Frame Labels
13	16	Foam			

ORDERING REPLACEMENT PARTS

We get it... sometimes things happen. But the fun shouldn't stop just because you need a new bolt or screw! To order replacement parts, check out our website at: www.skywalkertrampolines.com or call our toll-free Customer Care Hot-line at **1-866-603-Jump (5867)**, Monday - Friday, 8 a.m. until 5 p.m. Mountain Time (excluding holidays).

Our customer service team will ask you a few questions in order to get the replacement part sent out as soon as possible. We're not trying to complicate your life, we promise.

When calling, make sure to have the following information ready:

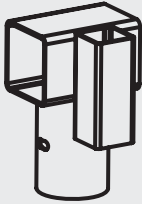
- The model # of the product (see the front cover of this manual)
- The key # and description of the part (see the part list above)
- The quantity needed (only you know the answer to that one!)

BEFORE YOU BEGIN

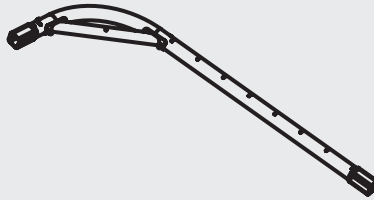
Thanks for choosing Skywalker Trampolines! We're just as excited as you are to help your family live an active (but most importantly **FUN**) lifestyle. This model is one of our favorites, and we're confident you'll love it too. To make things easier for you, we've listed important information that you (and your little outdoor adventurers) need to know. Make sure you brush up on the warnings, instructions, assembly, maintenance, and use of your new product... because there will be a pop quiz at the end! (Okay, not **REALLY**, but if you're still reading this, props to you! You're awesome).

PART IDENTIFICATION

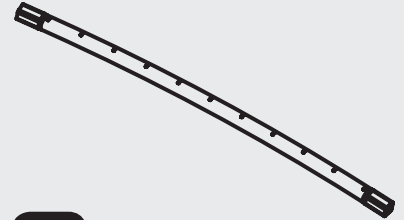
Before you begin, take a look at the drawings below to make sure you have all the parts! The numbers in the squares to the left (key numbers) will help you identify the parts during assembly.



1 Socket (x8) (may be pre-installed)



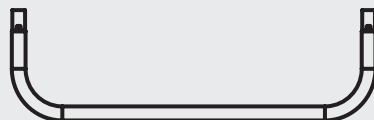
2 Corner Tube (x4)



3 Middle Tube (x4)



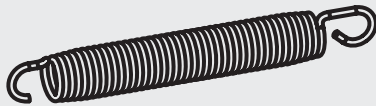
4 Leg Post (x8)



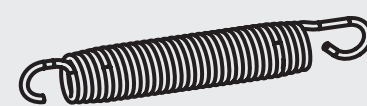
5 Leg Brace (x4)



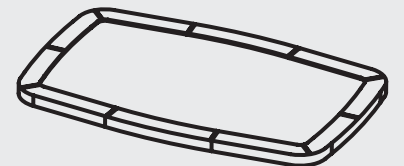
6 Jump Mat (x1)



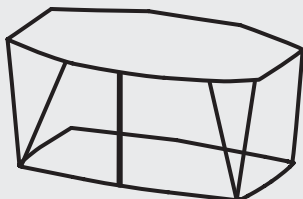
7 Long Spring (80)



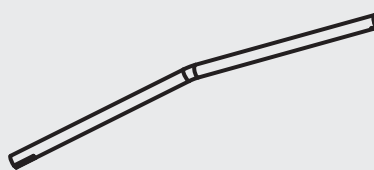
8 Short Spring (x4)



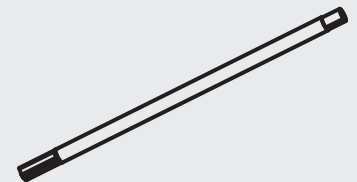
9 Frame Pad (x1)



10 Enclosure Net (x1)



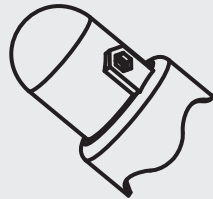
11 Curved Tube (x8)



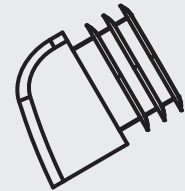
12 Straight Tube (x8)



13 Foam (x16)



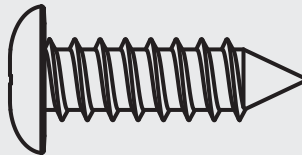
14 Pole Cap (x8)



15 End Cap (x8)



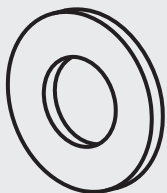
16 M5x50mm Bolt (x8)



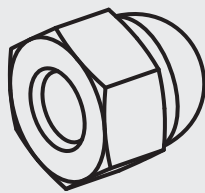
17 Self-tapping Screw (x8)



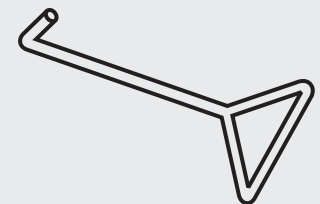
18 M6x63mm Bolt (x16)



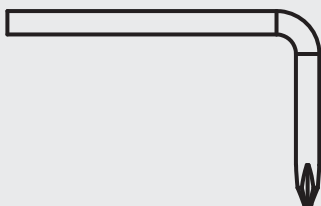
19 M6 Washer (x32)



20 M6 Nut (x16)



21 Spring Tool (x1)

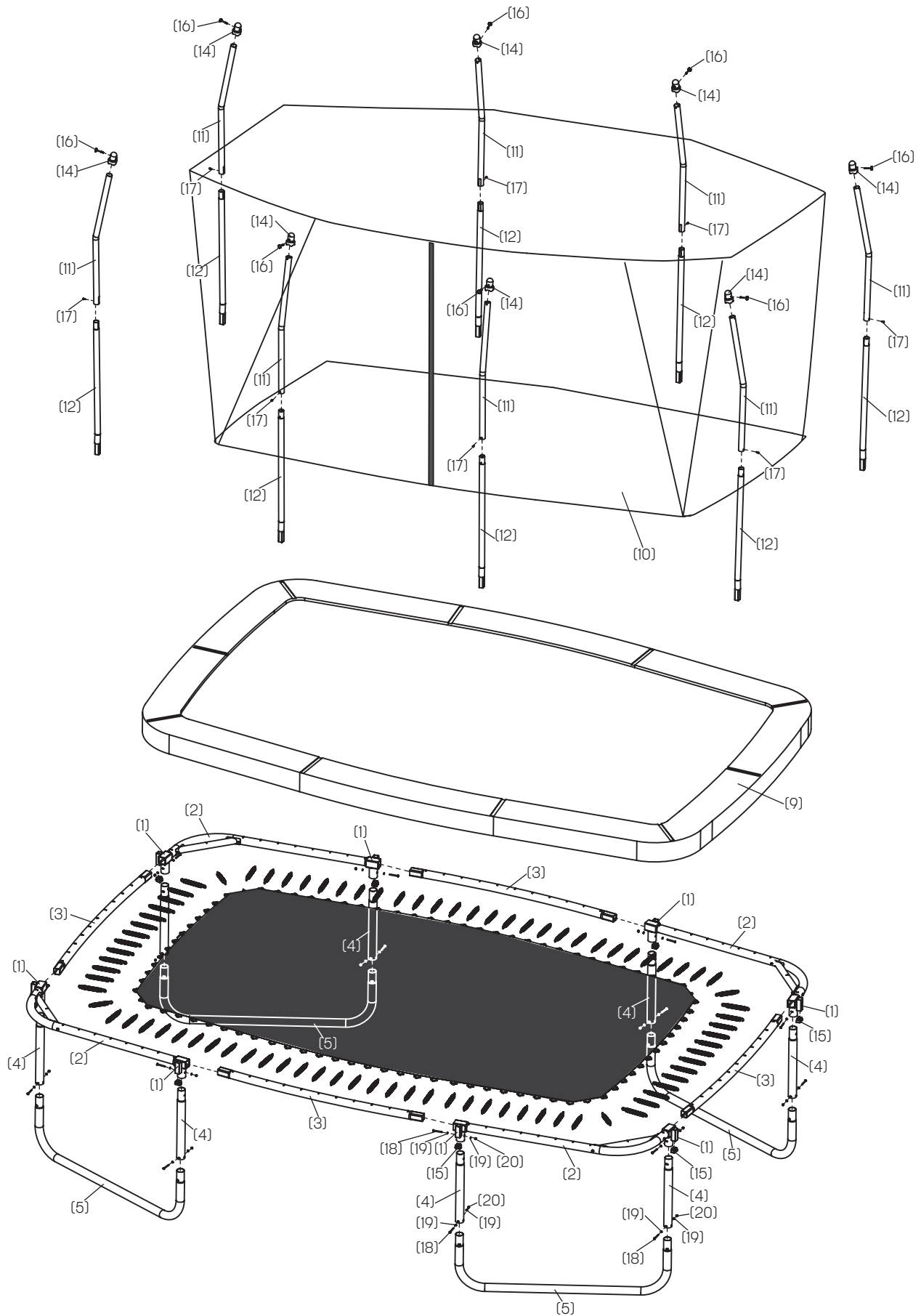


22 Screw Driver (x1)



23 Wrench (x1)

EXPLODED DRAWING



ASSEMBLY

READ THIS BEFORE YOU BEGIN

- You'll probably need at least **2 adults** and **2 hours** to assemble your trampoline (of course, that depends on what model you have, and whether or not you're secretly a superhero).
- We've provided a Phillip's screw driver and one adjustable wrench to help with assembly, but you're more than welcome to use your own tools. Many find that using a power drill and a rubber mallet makes things easier.
- Use gloves to protect your hands from pinch points during assembly. Plus, it's an up-and-coming fashion trend.
- The assembly steps refer to parts by their descriptions and key numbers (see the part list on page 3).
- The assembly steps are written in a specific order, and if you don't follow them exactly... you may end up having to start all over again.
- Most importantly... **YOU'VE GOT THIS. YOU'RE THE BEST TRAMPOLINE ASSEMBLER AROUND.** This may not be the easiest thing you've ever done... but it will be **worth it.** Trust us.

And if you're a visual learner, check out our assembly videos! **YouTube** Visit: youtube.com/c/SkywalkerTrampolines

STEP 1

Register your trampoline! For info on **warranty registration**, see page 2.

STEP 2



1 Socket (may be pre-installed) (x8)

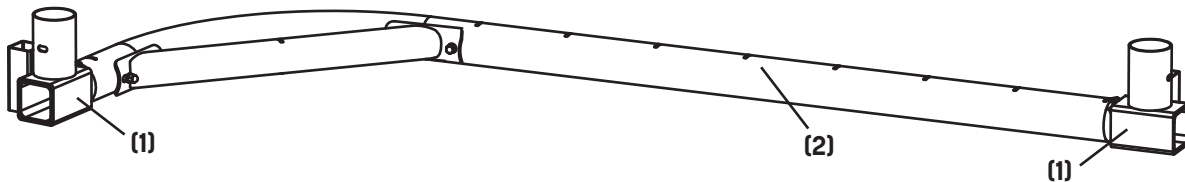


2 Corner Tube (x4)

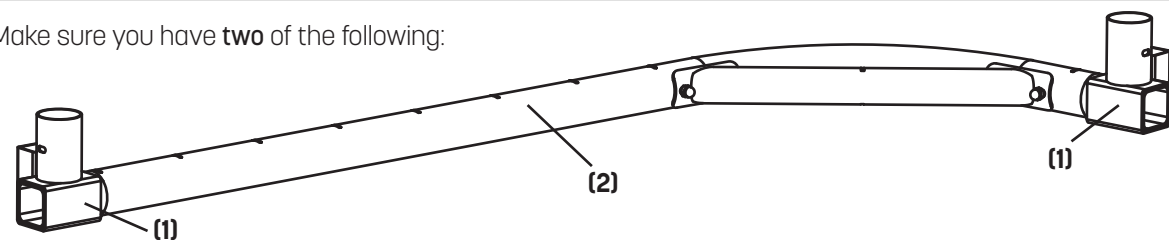
The sockets **(1)** should be pre-installed on the corner tubes **(2)**.

Check and make sure you have the four corner sections below!

Make sure you have **two** of the following:

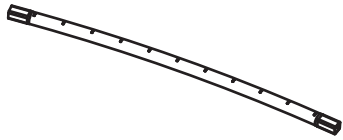


Make sure you have **two** of the following:



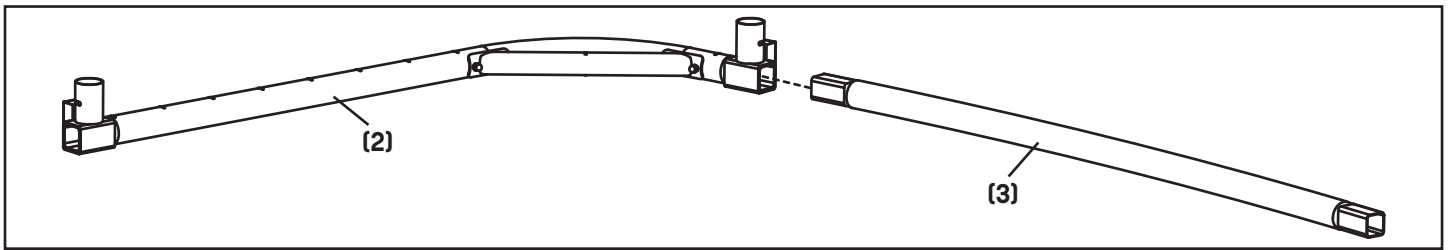
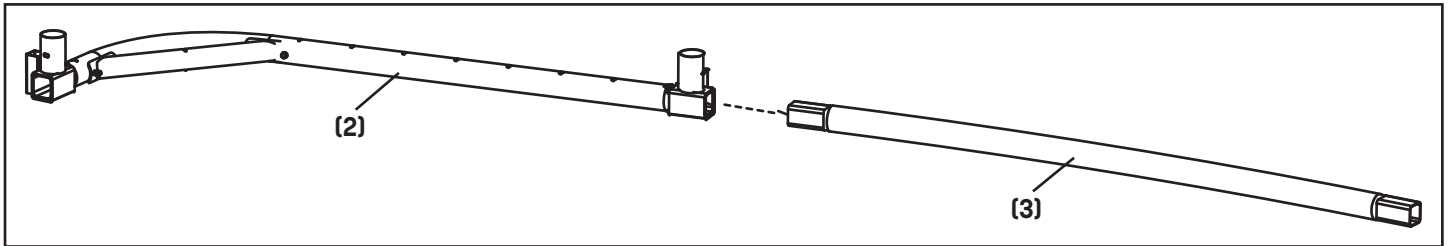
ASSEMBLY

STEP 3



3 Middle Tube (x4)

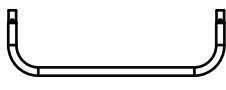
Next, insert the middle tubes **(3)** into the corner tubes **(2)** as shown.
When finished, you should have **four sections, two of each kind**.



STEP 4



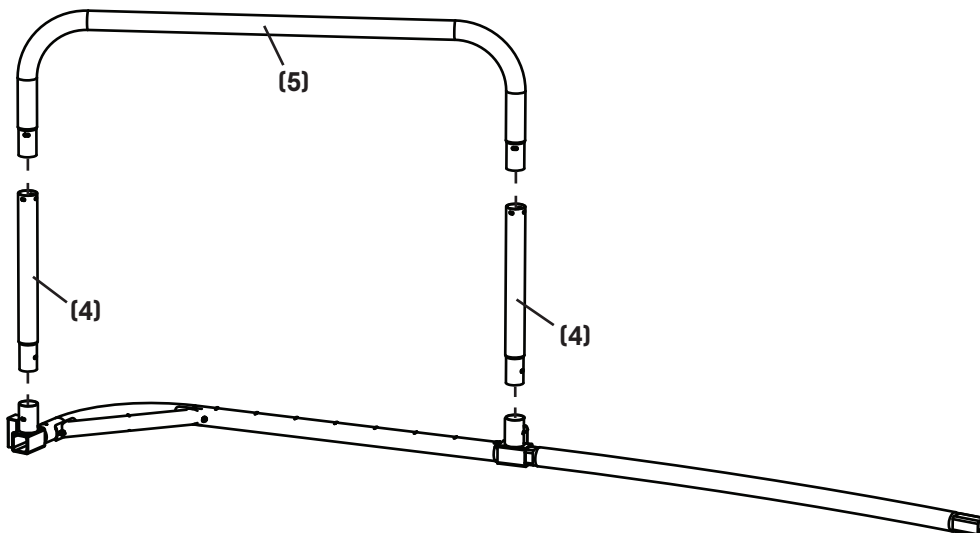
4 Leg Post (x4)



5 Leg Brace (x2)

Insert **two leg posts (4)** into **one assembled frame section** assembled in step 3. Then, insert **one leg brace (5)** into the **leg posts** as shown.

Repeat this step one additional time.



STEP 5

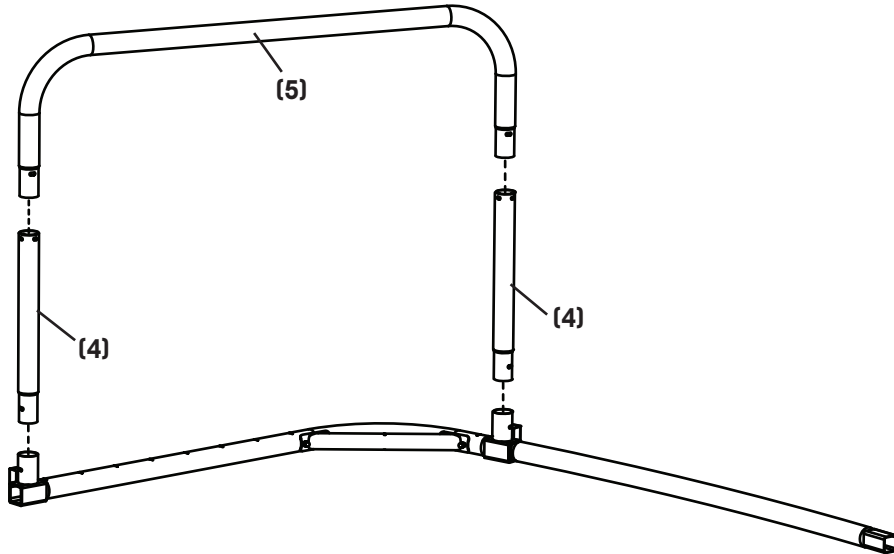


4 Leg Post (x4)

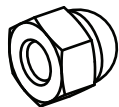
5 Leg Brace (x2)

Insert **two leg posts (4)** into **one assembled frame section** assembled in step 3. Then, insert **one leg brace (5)** into the **leg posts** as shown.

Repeat this step one additional time.



STEP 6

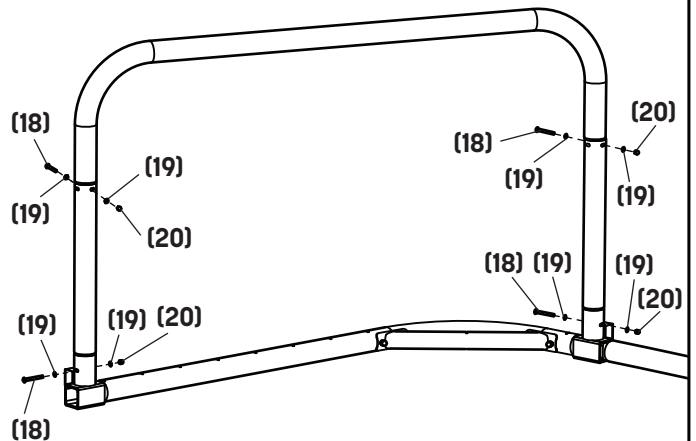
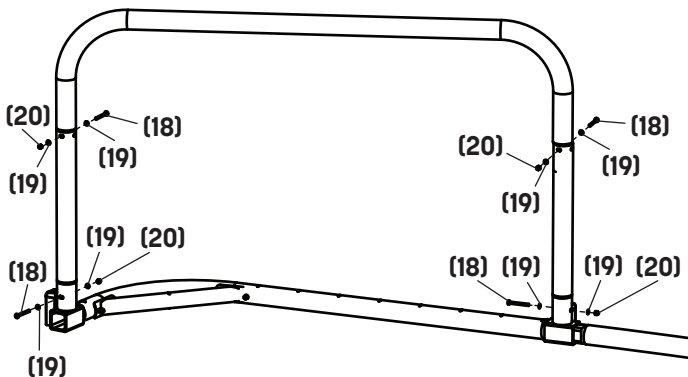


18 M6x63mm Bolt (x16)

19 M6 Washer (x32)

20 M6 Nut (x16)

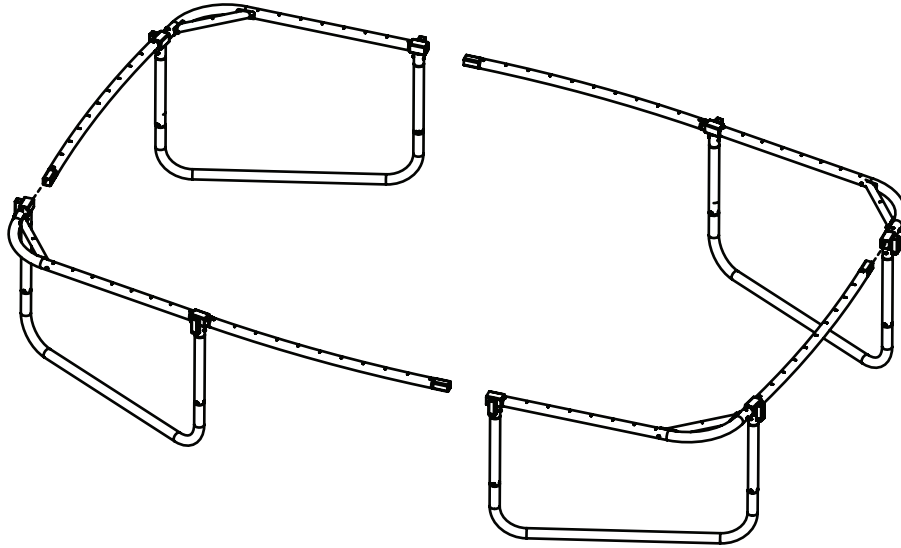
Secure the leg posts to the leg braces with 16 M6x63mm bolts (18), 32 M6 washers (19), and 16 M6 nuts (20).



ASSEMBLY

STEP 7

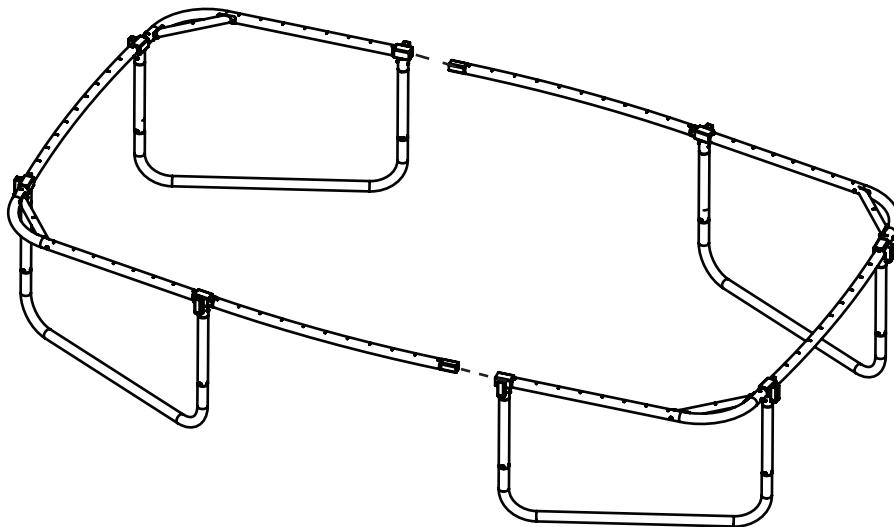
Grab a friend and flip the assembled corner leg sections over so they are now standing on the legs. (Do not skip this step! We're not underestimating your strength or anything, but if you connect before flipping, the entire frame will be too heavy to flip.) Now slide two corner leg sections together. You will now have two frame halves assembled.



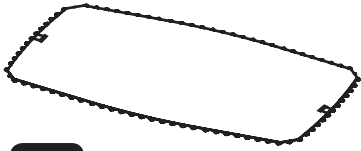
STEP 8

Slide the two halves of the trampoline together to create a free standing frame.

Note: Make sure all the bolts are secured into place.

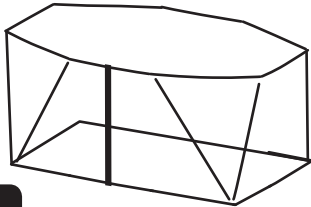


STEP 9



6

Jump Mat (x1)



10

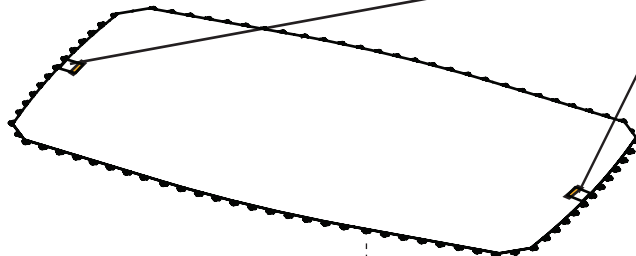
Enclosure Net (x1)

To attach the enclosure net to the jump mat, lay the jump mat (6) on the ground inside the assembled frame with the warning labels facing upwards.

a.) Now place the enclosure net (10) on the jump mat (6), and make sure the first net hole (just left of the enclosure door) and the first V-ring with the zipper pull clip on the mat are aligned. Now insert the first V-ring into the first net hole. **Important! The first hole is the hole directly to the left of the enclosure door zipper. The first V-ring is the V-ring with the pull clip attached.**

b.) Now, insert the remaining V-rings into their corresponding holes. Once you've finished, the enclosure net should be fully attached to the jump mat.

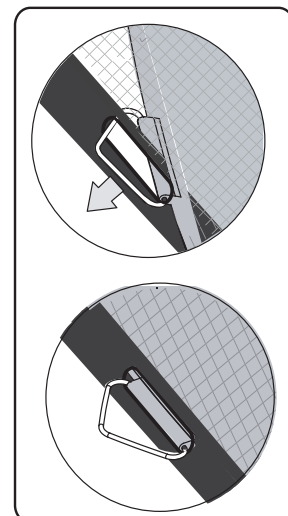
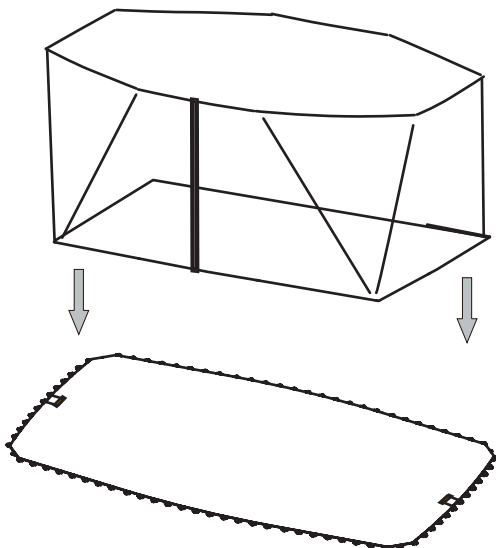
Before continuing, make sure each V-ring of the jump mat is properly threaded through the corresponding hole in the enclosure net.



Warning label on top



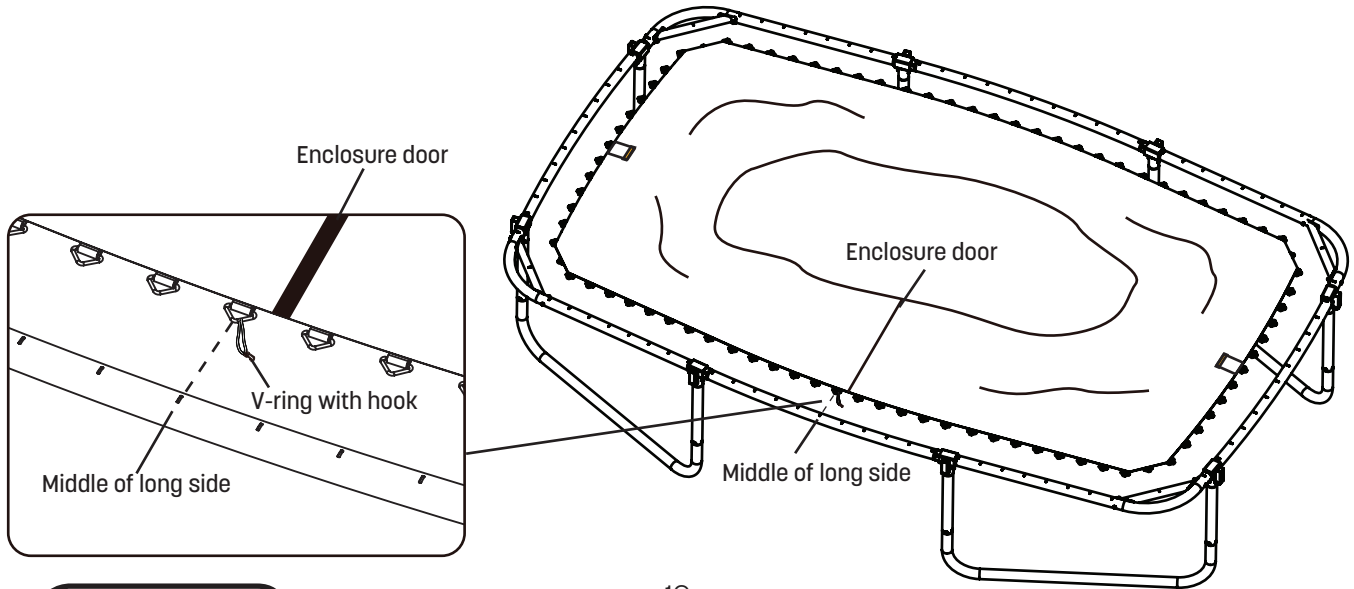
ID label on back



ASSEMBLY

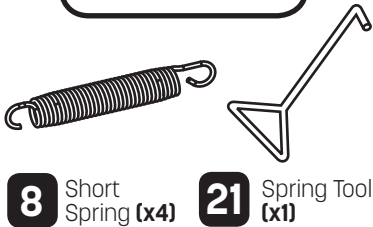
STEP 10

Place the jump mat on the ground inside the frame with the enclosure net on top. Place it so the jump mat lines up with the frame. **Be sure to center the V-ring with hook on the middle of the long side.**



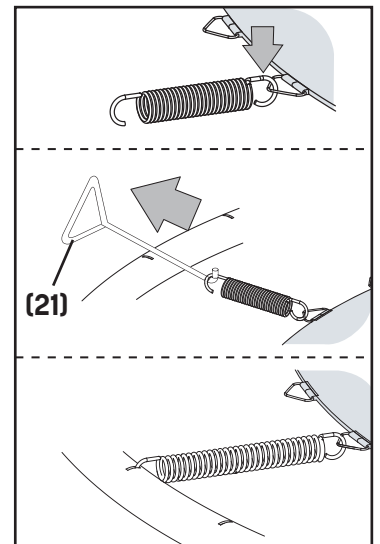
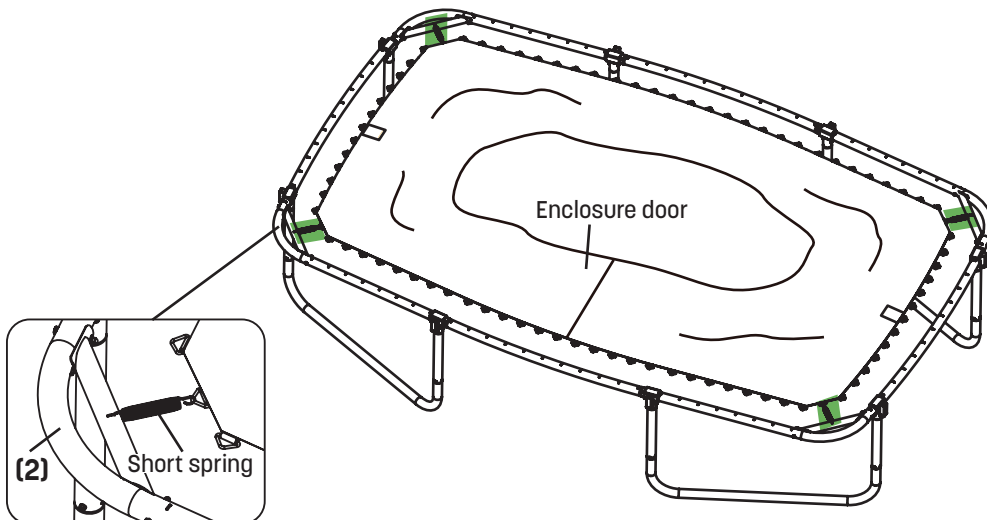
12

STEP 11

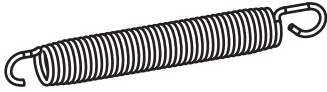


You may want to use gloves for this step! Using the spring tool (21), hook the smaller end of a short spring (8) into the corner V-ring. Stretch the free end of the spring until it reaches the frame hole on the corner tube (2). Repeat this step on the three remaining corners.

You now should have four springs attached.



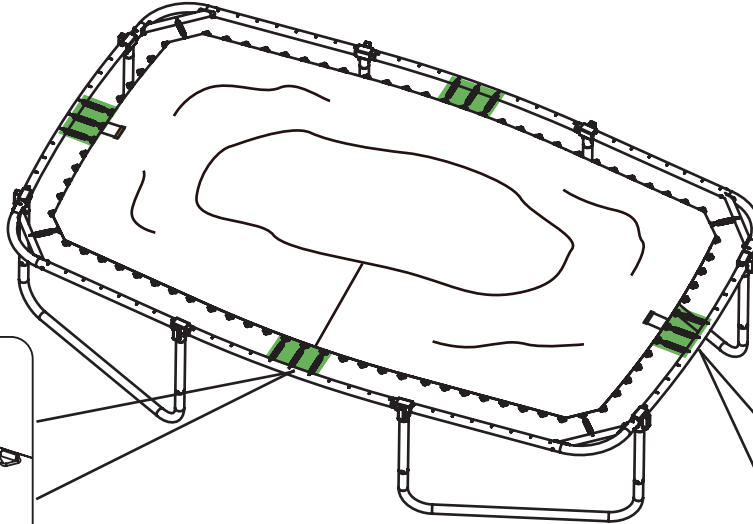
STEP 12



7 Long Spring (x12)

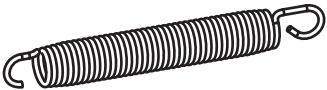
Next, attach **12 long springs (7)** to the **middle** of each of the **middle frame tubes (3)**. There should be three springs placed on each side.

You now should have 16 springs attached.



13

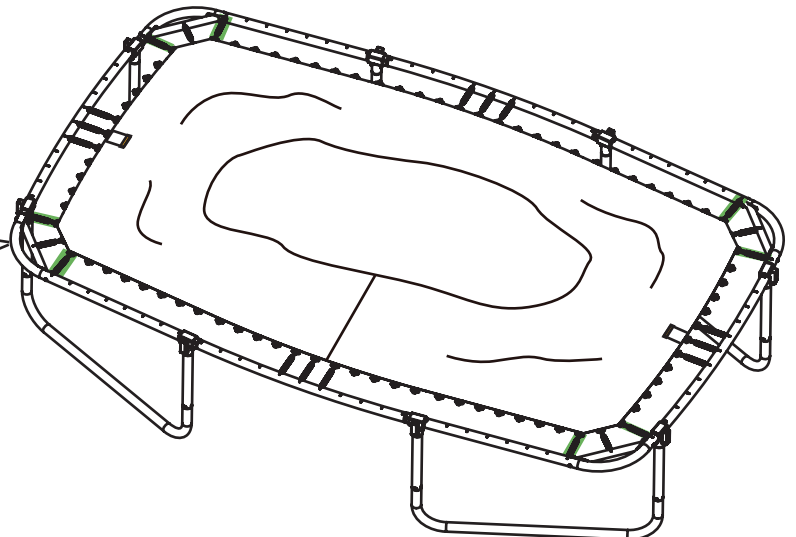
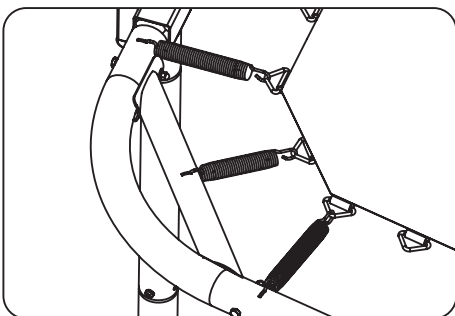
STEP 13



7 Long Spring (x8)

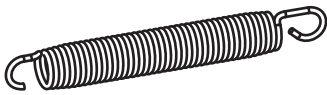
Using the spring tool **(21)**, hook **two long springs (7)** into the V-rings on **each corner** of the mat. Stretch the free end of the springs until they reach the nearest frame holes on the corner tubes **(2)**.

You should now have 24 springs attached.



ASSEMBLY

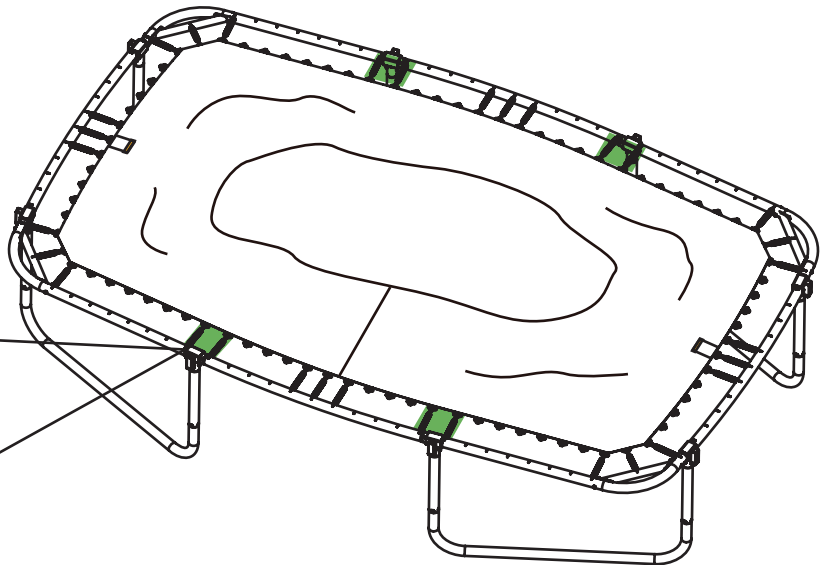
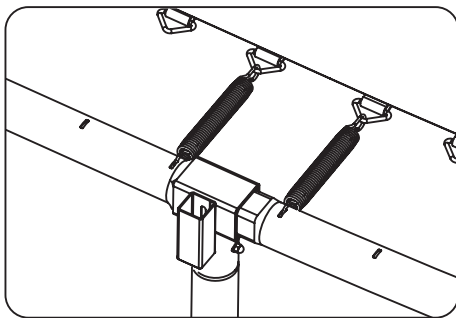
STEP 14



7 Long Spring (x8)

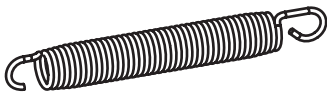
Attach **two more long springs (7)** to either side of the **four sockets (3)** on **long side** as shown below.

You should now have 32 springs attached.



14

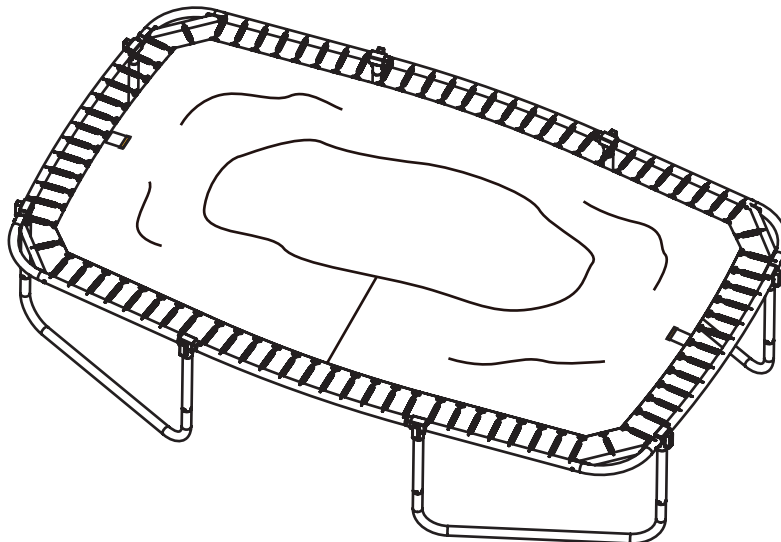
STEP 15



7 Long Spring (x52)

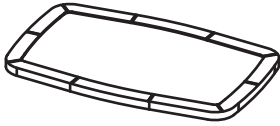
Now, working in a **clockwise direction**, attach all of the remaining springs. **Make sure the V-rings and frame holes line up correctly.**

[Remember, you're the boss here. You tell those springs what to do! And other people if they're helping...]



14

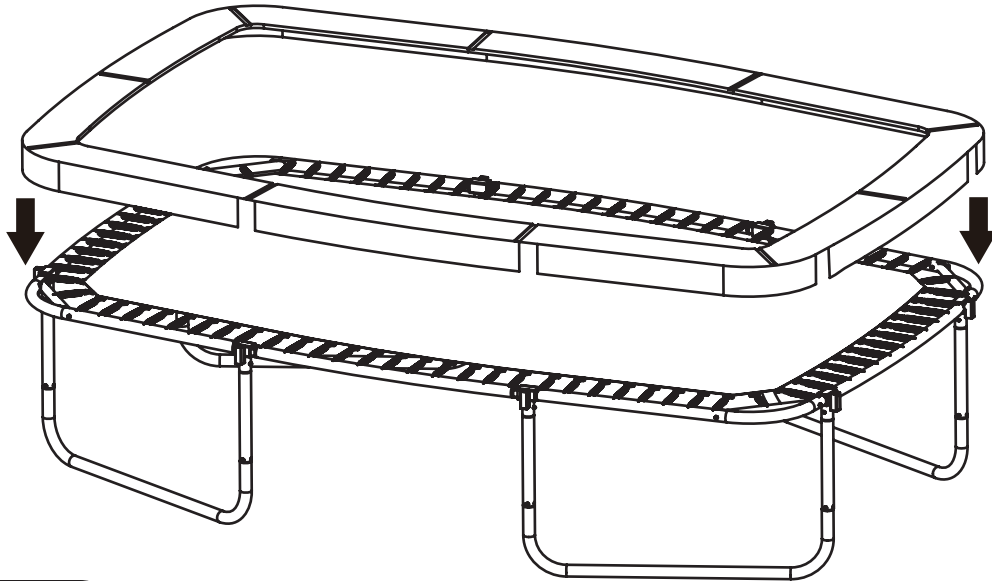
STEP 16



9 Frame Pad (x1)

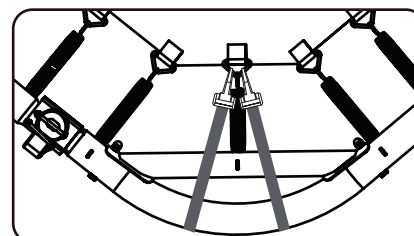
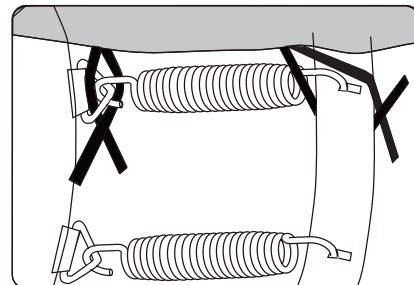
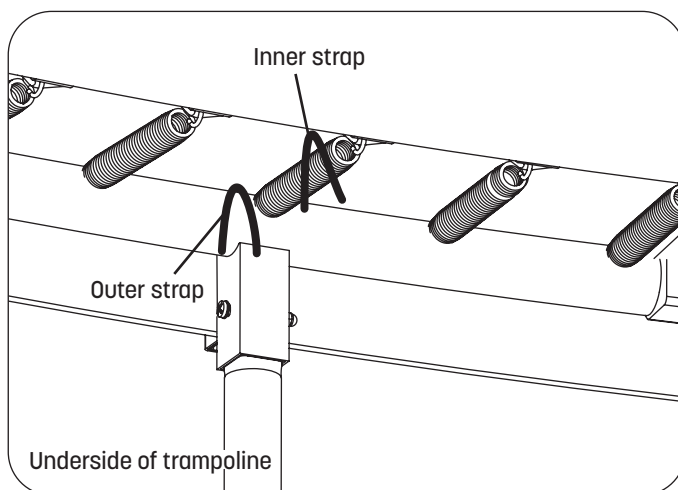
Lay the frame pad **(9)** pieces on the frame. Adjust the frame pad so that the **slits are directly above the sockets**.

Important: Don't use the trampoline without the frame pad. It's designed to protect your little jumpers! Trust us on this one.



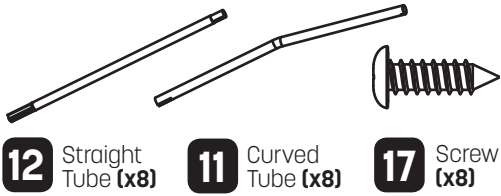
STEP 17

Look under the trampoline. Find the straps that are attached to the underside of the frame pad **(12)**. Position the **outer straps** so that one strap is on **each side of the frame**. Position the **inner straps** so that one strap is **threaded through a V-ring**. Now tie all of the straps in **bows**. (Because if you tie them in knots, you'll have a pretty hard time untying them ever again!) Secure the corners of the frame pad to the frame using the attached straps. **Hook the straps to the V-rings at each corner.**



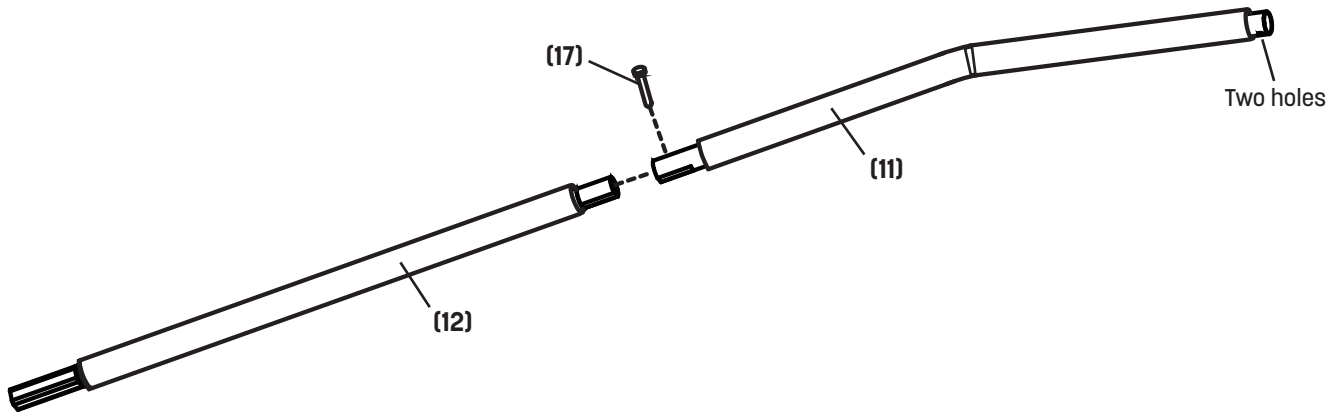
ASSEMBLY

STEP 18



Insert one straight tube (12) into one curved tube (11), and secure with one self-tapping screw (17). **Important: On the curved tube there is one end that has two holes. Make sure that end is on top!**

Repeat this step to attach the seven remaining straight tubes and curved tubes together.



16

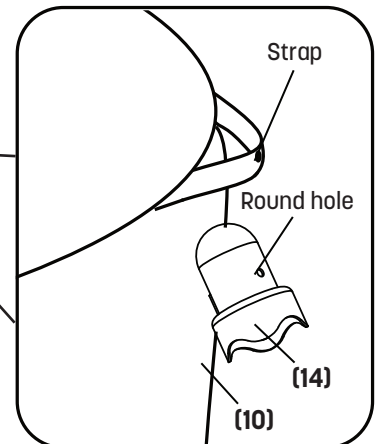
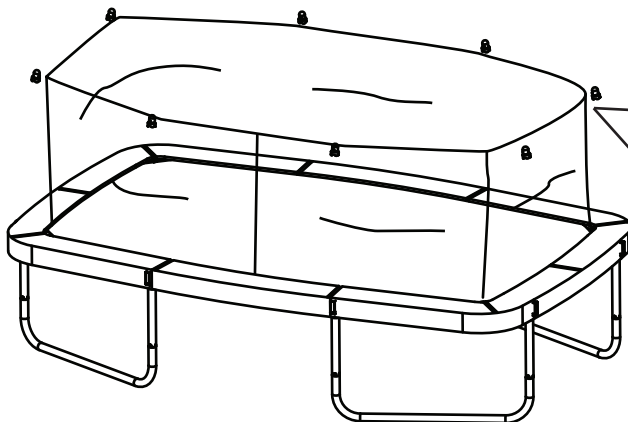
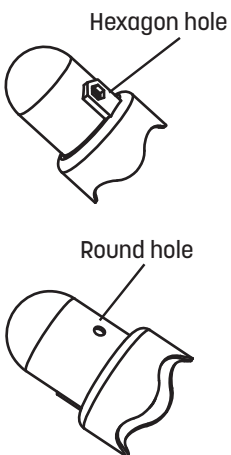
STEP 19



14 Pole Cap (x8)

Important: The pole cap (14) has two sides; one with a hexagon hole, and one with a round hole.

Insert the pole cap into one strap ring found on the top of the enclosure net. Make sure the hexagon hole is facing the net, and the round hole is facing you.



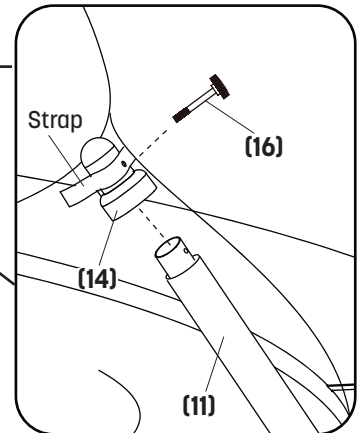
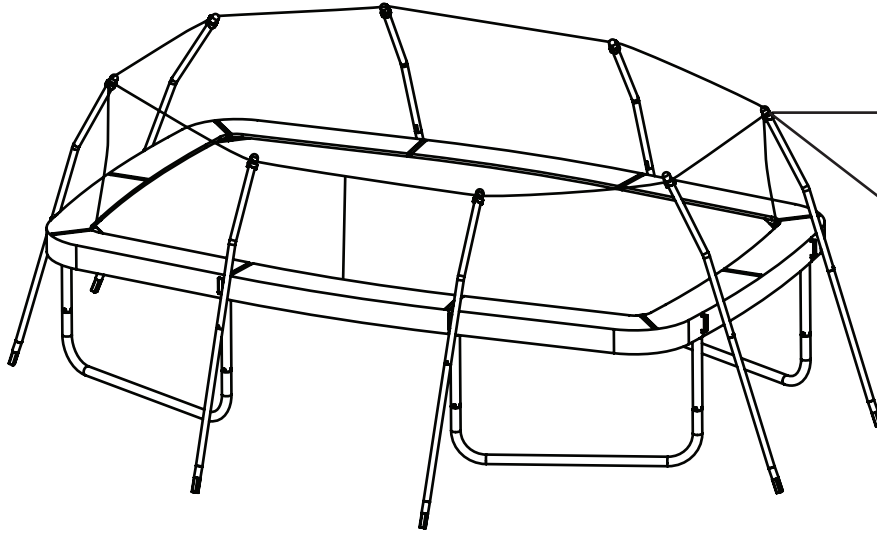
16

STEP 20



16 M5x50mm Bolt (x8)

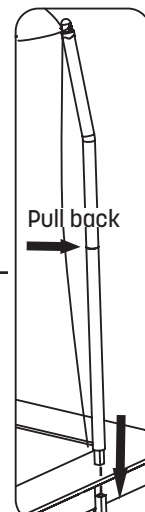
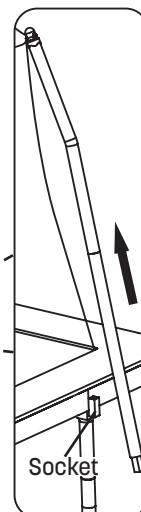
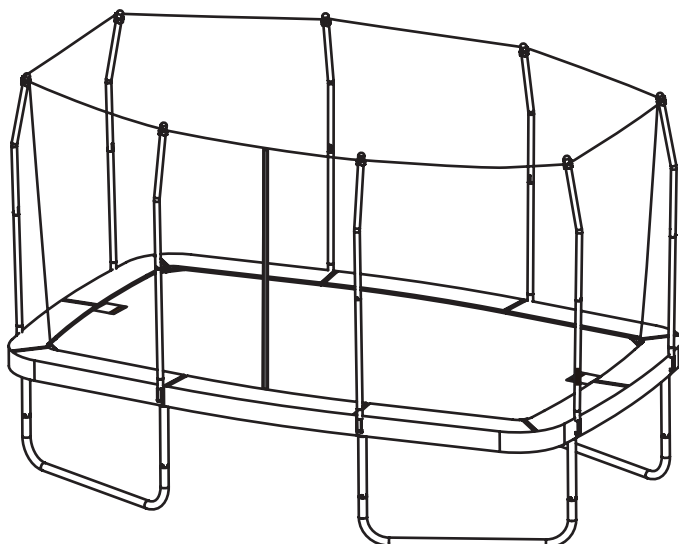
Next insert a curved tube **(11)** into the pole cap **(14)**. Make sure the bent side of the enclosure poles are **facing towards the center** of the trampoline. Make sure the holes on the curved tube, pole cap, and strap ring are all aligned. Then insert a M5x50mm bolt **(16)** to secure in place. **Important: Make sure the bolt goes into the round hole FIRST (not the hexagon hole) or you could break the pole cap!**



STEP 21

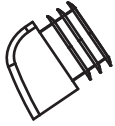
Starting from the enclosure door, lift one of the assembled poles and insert the straight tube **(13)** into the socket. Repeat this process to assemble the seven remaining poles.

Helpful tip: When inserting the enclosure poles, pull back on the middle of the poles!



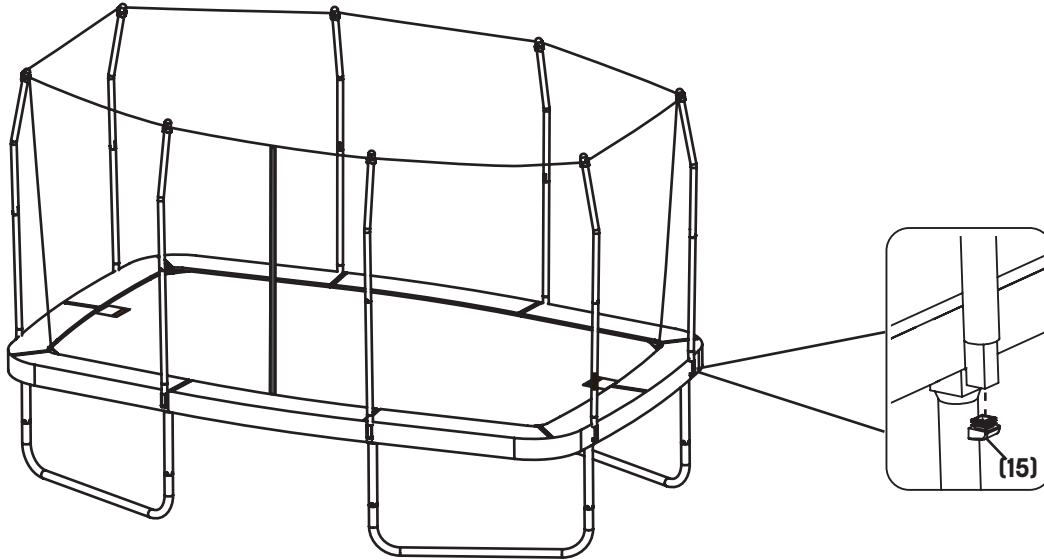
ASSEMBLY

STEP 22



15 End Cap (x8)

Insert the end caps **(15)** into the bottom of the sockets.

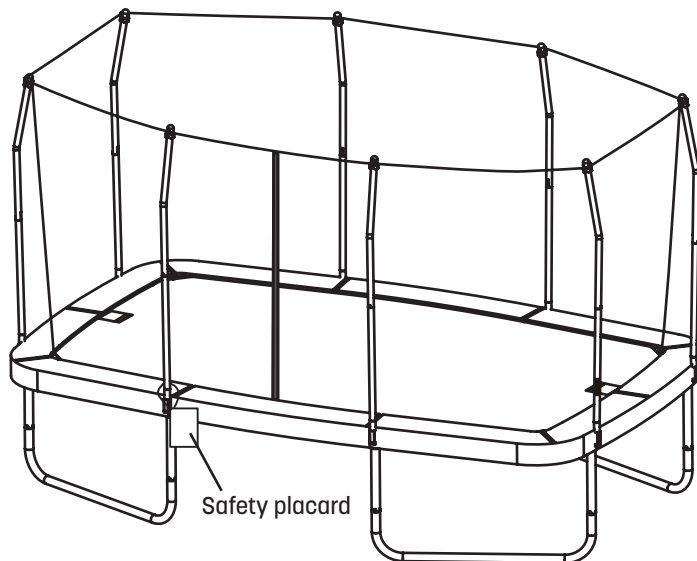


18

STEP 23

LAST STEP YOU'RE IN THE FINAL HOME STRETCH.

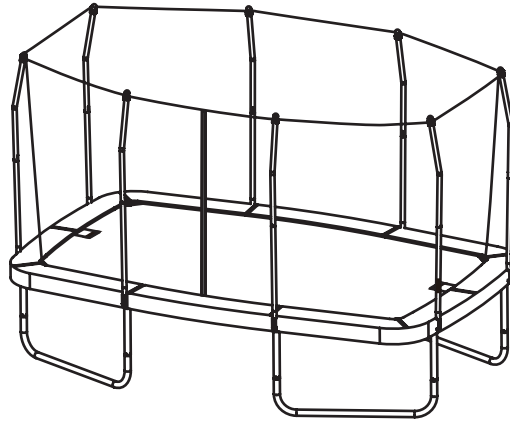
Using the included plastic tie, attach the safety placard to the trampoline frame close to the enclosure door.



18

STEP 24

Congratulations on completing your new trampoline! (See... we knew you could do it!) So here comes the real question... **are you satisfied with this completed product?** If you are, go ahead and **write a review** on the retailer's site you bought it from. We'd really appreciate it... and if we could, we'd give you a gold star. Are you completely frustrated and have some choice words for us? Contact us directly! We're not trying to ruin your life, we promise. And we'll do everything we can to make it right again. See contact info on page 2-3.



MAINTENANCE & CARE INFORMATION

Congratulations and high five on successfully assembling your new Skywalker Trampolines 14' Rectangle Trampoline with Enclosure! Now, the best way to keep your new trampoline in tip top shape, is to periodically check for:

- Missing, improperly positioned, or insecurely attached frame padding, netting, enclosure tubes, or foam sleeves
- Punctures, frays, tears, or holes worn in the mat, frame padding, netting or foam sleeves
- Deterioration in the stitching or fabric of the mat, frame padding or netting
- Ruptured or missing springs
- Bent or broken frame, leg or enclosure tubes
- Sagging bed or netting
- Sharp protrusions on the frame, suspension system or enclosure tubes

If you notice any of the above conditions, please disassemble the trampoline and/or the enclosure net until new parts are ordered!

Moving the Trampoline and Enclosure

If the trampoline and enclosure needs to be moved, it should be moved by two persons, kept horizontal, and lifted slightly. If necessary, the trampoline and enclosure can be taken apart for moving. To take the trampoline apart, follow the assembly steps in reverse order. Do not attempt to take the frame sections, legs, or bases apart before the mat and springs have been removed.

Don't forget to check us out online! **We'd love to hear from you.**

Website: skywalkertrampolines.com

Facebook: facebook.com/skywalkertrampolines

YouTube: youtube.com/channel/UCUty7EqwIGouK5ovzGpHGw/feed

Pinterest: pinterest.com/swtrampolines

Twitter: twitter.com/swtrampolines?lang=en

Instagram: instagram.com/skywalker_trampolines/?hl=en

INSTRUCTIONS FOR USE

To reduce the risk of serious injury, read and follow all of the warnings, precautions, and instructions in this manual before you use the trampoline enclosure. Warnings and instructions for care, maintenance, and use of this trampoline and enclosure are included to promote safe enjoyable use of this equipment.

1. It is the responsibility of the owner and supervisors of the trampoline and enclosure to make sure all users obey the safety instructions given in this manual. The trampoline should only be used with mature, knowledgeable supervision.
2. Secure the trampoline and trampoline enclosure against unauthorized and unsupervised use. If you use a ladder to get on and off the trampoline, be sure to remove it when the trampoline and enclosure are not being used.
3. Be sure there is enough clear space above the trampoline and enclosure before use. It is best to have at least 24 feet (7.3 meters) of clear space above the ground. This space must be clear of wires, tree limbs, and any other possible hazards.
4. Lateral (sideways) clearance is very important. Do not place the trampoline and enclosure near walls, buildings, fences, sidewalks, and other play areas. Always keep a clear space on all sides of the trampoline and enclosure.
5. Remove any objects that could interfere with the performer. Maintain a clear area around and under the trampoline.
6. Be sure the trampoline and enclosure are on a level surface before use.
7. Always inspect the trampoline and enclosure before each use. Make sure that the frame, padding, netting, enclosure tubes, and foam sleeves are correctly and securely positioned. Replace any worn, defective, or missing parts. (Jumpers may be hurt if the trampoline and enclosure are used when they are in poor condition.)
8. Bounce only when the surface of the mat (bed) is dry. There should be very little or no wind or air movement. The trampoline and enclosure must not be used in gusty or severe winds.
9. The trampoline and enclosure frames are made of metal. They are not grounded and will conduct electricity. For this reason, an electrocution hazard exists. No lights, electric heaters, extension cords, or household electrical appliances are to be permitted on the trampoline or in enclosure at any time.
10. Use the trampoline and enclosure in an area with lots of light. If the trampoline and enclosure are indoors or in shady areas, you may need to use artificial (electrical) lighting in the area.
11. During the winter months, the trampoline soft materials will need to be removed and stored in a dry place. If left up in the winter months, it may cause damage to the springs, jump mat, spring pad, and enclosure. The warranty will be void.
12. This trampoline and enclosure is made for users who weigh less than 200 lbs.
13. Trampoline over 20 in. (51 cm) tall are not recommended for use by children under 6 years of age.
14. The trampoline enclosure is to be used only with the size of trampoline for which the enclosure is designed.
15. Misuse and abuse of the trampoline enclosure is dangerous and can cause serious injury.
16. Do not attach anything to the enclosure barrier that is not a manufacturer-approved accessory or part of the enclosure system.
17. Please remove any jewelry before jumping begins. Jewelry may get caught in the enclosure netting.
18. Wear clothing free of drawstrings, hooks, loops, or anything that could be caught while using the trampoline/enclosure and result in entanglement, strangulation, or both.
19. DO NOT let more than one person inside the trampoline enclosure at the same time. Two or more people jumping at the same time can cause serious injury.
20. DO NOT jump on the trampoline while you have or are holding any objects, especially something sharp or breakable.
21. DO NOT use the trampoline and enclosure if you have been using alcohol or drugs.
22. DO NOT attempt or allow somersaults (flips) on the trampoline. Landing on the head or neck can cause serious injury, paralysis, or death, even when landing in the middle of the jumping mat.
23. Always climb on to and off of the trampoline. It is a dangerous practice to jump from the trampoline to the floor or ground when dismounting, or to jump onto the trampoline when mounting.
24. DO NOT use the trampoline as a springboard to other objects. Enter and exit the enclosure only at the enclosure door or barrier made for that purpose.
25. DO NOT attempt to crawl under, jump over, intentionally bounce off of, hang from, climb on, kick, or cut the barrier netting.
26. While keeping head erect, focus eyes on the trampoline toward the perimeter. This will help control bounce.
27. Stop bouncing by flexing knees as feet come in contact with the trampoline bed. Learn this skill before attempting others.
28. Avoid bouncing too high. Stay low until bounce control and repeated landings in the center of the trampoline can be accomplished. Control is more important than height.
29. Avoid bouncing when tired. Keep turns short.
30. Learn fundamental bounces and body positions thoroughly before trying more advanced skills. A variety of trampoline activities can be carried out performing the basic fundamentals in various series and combinations, performing one fundamental after another, with feet bounces between them.
31. For additional information concerning the trampoline equipment contact the manufacturer. For information concerning skill training, contact a certified trampoline instructor.
32. Do not use or stand near the trampoline in windy or gusty conditions. A trampoline can become airborne when exposed to sustained wind or gusting wind conditions. This can result in serious injury, paralysis, or death, as well as property damage. To reduce these risks, disassemble the trampoline and enclosure and store them until weather conditions improve. Anchoring a trampoline frame may prevent the trampoline from moving as a result of the wind, but even anchored trampolines can become airborne or damaged. Consult a qualified contractor to determine what type of anchor works best in your location.

WARNING LABEL PLACEMENT

⚠ WARNING

Do not land on head or neck. Do not attempt or allow somersaults. Landing on your head or neck can cause serious injury, paralysis, or death, even when landing in the middle of the mat. Use trampoline only with mature, knowledgeable supervision.

Only one person at a time on the trampoline. Do not allow more than one person on the trampoline. Use by more than one person at the same time increases the chance of injury. Use trampoline only with mature, knowledgeable supervision. This trampoline is not recommended for children under 6 years of age.

For the Supervisor:
Read the instructions before using the trampoline. Enforce all of the safety rules and be familiar with the information in the User Manual to help new users learn basic jumps and all users to follow trampoline safety.

All trampoline users must have mature, knowledgeable supervision, regardless of the skill or age of the jumper.

This trampoline is not recommended for use by children under 6 years of age.

Inspect the trampoline before using. Keep frame pad in place. A worn or damaged mat (bed), spring, or frame piece should be replaced immediately.

Keep objects away that could interfere with the jumper.

Secure the trampoline against unauthorized and unsupervised use.

Do not use when trampoline is wet or in a windy condition.

For the Jumper:
Do not use the trampoline when under the influence of drugs or alcohol.

Avoid bouncing when tired.

Jumping:
Learn the basic jumps and body positions very well before trying more difficult stunts. Study the User Manual to learn how to do basic jumps.

Stop your bounce by flexing your knees as your feet come in contact with the trampoline mat (bed).

Avoid jumping too high or for too long. Always control your jump. A controlled jump is one where the take off and land spots are the same.

Bounce in the center of the trampoline. Focus eyes on trampoline toward the perimeter mat. Failure to do so may result in a loss of balance and control.

Take turns jumping one at a time, and always have someone watch you.

Getting on and off:
Climb on to and off the trampoline. Do not jump on or off. Do not use the trampoline as a springboard to other objects.

For further equipment information contact Skywalker. For skill training information, contact a trainer certification organization.

ATTACH TO TRAMPOLINE

⚠ WARNING

Do not land on head or neck. Do not attempt or allow somersaults. Landing on your head or neck can cause serious injury, paralysis, or death, even when landing in the middle of the mat.

Do not attempt or allow somersaults. (Flips)

Landing on your head or neck can cause serious injury, paralysis, or death, even when landing in the middle of the mat.

Use trampoline only with mature, knowledgeable supervision. Do not allow more than one person on the trampoline. Use by more than one person at the same time increases the chance of injury.

Use trampoline only with mature, knowledgeable supervision. This trampoline is not recommended for children under 6 years of age.

⚠ WARNING

Do not attempt or allow somersaults. (Flips)

Landing on your head or neck can cause serious injury, paralysis, or death, even when landing in the middle of the mat.

Use trampoline only with mature, knowledgeable supervision.

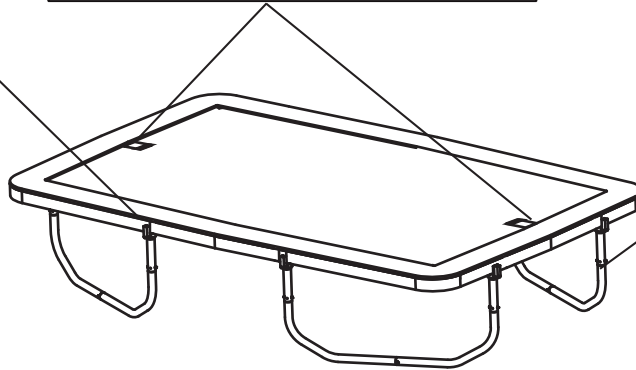
Do not allow more than one person on the trampoline. Multiple jumpers increase the chance of loss of control, collision and falling off. This can result in broken head, neck, back, or legs.

Use Trampoline only with mature, knowledgeable supervision.

This trampoline is not recommended for children under 6 years of age.

Read all of the instructions before using this trampoline.

Inspect before using and replace any worn, defective or missing parts.



⚠ WARNING

Do not land on head or neck. Do not attempt or allow somersaults. Landing on your head or neck can cause serious injury, paralysis, or death, even when landing in the middle of the trampoline mat (bed). Do not do somersaults (flips). Use trampoline enclosure only with mature, knowledgeable supervision. Enforce all safety rules and be familiar with the information in the User's manual to help users in following enclosure instructions and trampolines safety.

Only one person at a time on the trampoline. Multiple jumpers increase the chance of loss of control and this can result in broken head, back or leg. Users may become entangled in or strangled by loose cords or gaps between trampoline and enclosure.

For the Supervisor:
Use trampoline enclosure only with mature, knowledgeable supervision. Enforce all safety rules and be familiar with the information in the users manual to help users in following trampoline enclosure instructions and trampoline safety.

This trampoline enclosure system is not recommended for use by children under 6 years of age.

Do not exceed the weight limit recommended by the manufacturer.

Use only when the trampoline mat (bed) is clean and dry. Inspect the trampoline and enclosure prior to each use and replace any worn or damaged parts.

Use only when enclosure barrier has no holes, pole clamps are tightly secured to the poles, and the support (frame) and the barrier is properly suspended.

For the Jumper:
Do not use the trampoline when under the influence of drugs or alcohol.

Jumping:
Avoid jumping too high for too long. Always control your jump. Do not try to jump over the barrier.

Do not intentionally rebound of the barrier. Do not hang from, kick, cut or climb on the barrier.

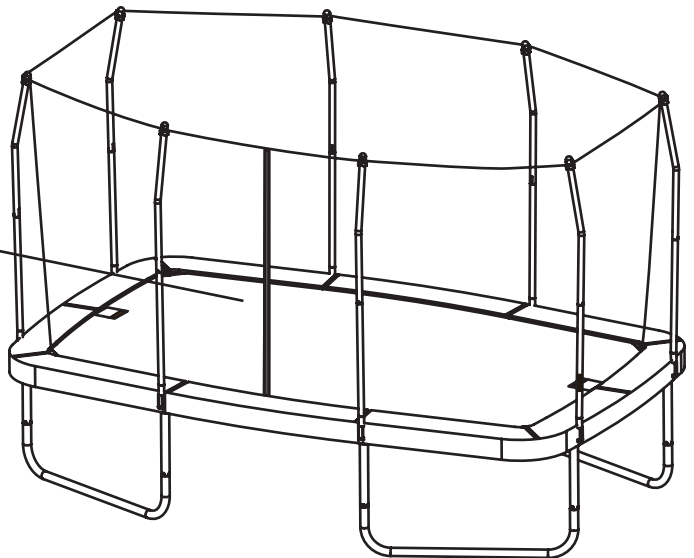
Wear clothing free of drawstrings, hooks, loops, or anything that could get caught while using the trampoline/ enclosure and result in entanglement or stranglement or both.

Getting on and off:
Climb on to and off the trampoline at the enclosure door or barrier opening. Do not jump on or off. Do not crawl under the barrier. Do not use the trampoline as a springboard to other objects.

Do not jump from other objects, buildings, or surfaces, onto the trampoline, or into or over the trampoline enclosure.

For further equipment information contact Skywalker Trampolines. For skill training information, contact a trainer certification organization.

ATTACH TO NETTING AT DOOR



The placard shown above was sewn to the trampoline enclosure netting.

Note: The labels and placard shown are not actual size.

The labels shown on this page have been attached to the trampoline in the indicated locations. The safety instructions placard will need to be attached by the owner. If one of the labels or the placard is missing or illegible, call our Customer Care Hot Line toll-free at 1-866-603-JUMP (5867), Monday through Friday, 8 a.m. until 5 p.m. Mountain Time, to order a free replacement label or placard.

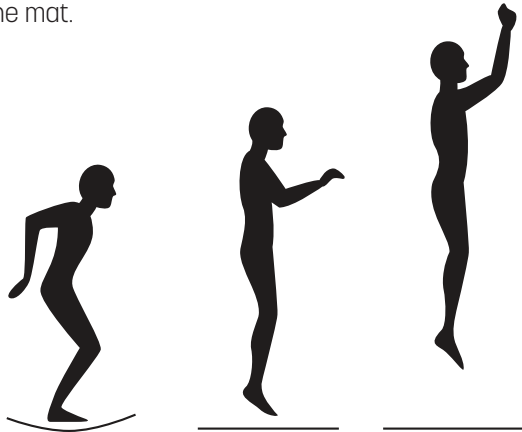
INSTRUCTIONS & MODEL LESSONS

The following lessons are examples of an instructional program. They should follow a complete discussion and demonstration of body mechanics between the supervision and the student(s).

1. Mounting and dismounting: Demonstration and practice of proper techniques.
2. Fundamental bounce: Demonstration and practice.
3. Breaking: Demonstration and practice. Breaking on command.
4. Hand and knee drop: Demonstration and practice, stressing four-point landing and alignment.

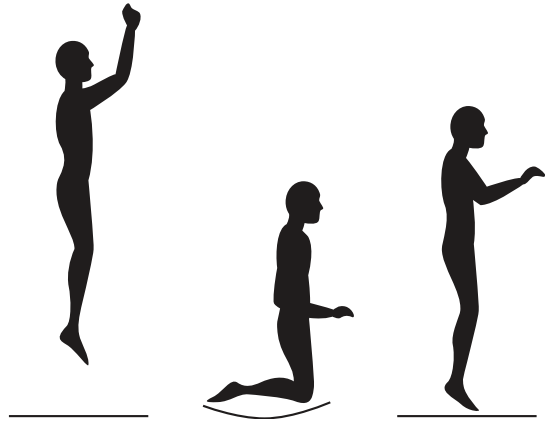
Lesson 1: Fundamental Bounce

1. Start from a standing position with your head erect and your eyes on the frame pad.
2. Swing your arms forward and up in a circular motion.
3. Bring your feet together and point your toes downward while in the air.
4. Keep your feet about 15 inches apart when landing on the mat.



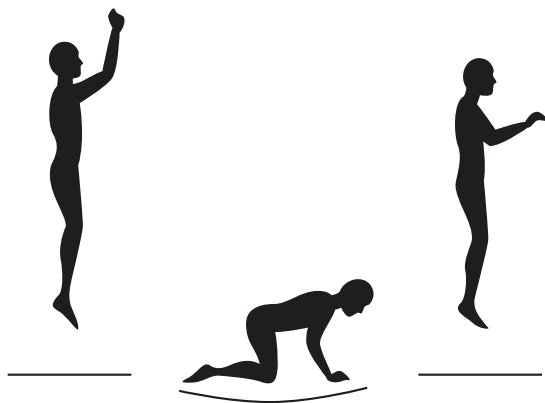
Lesson 2: Knee Drop

1. Start bouncing from a standing position, keeping your eyes on the frame pad.
2. Land on your knees, keeping your back straight and your body erect.
3. Come back up to an erect position.



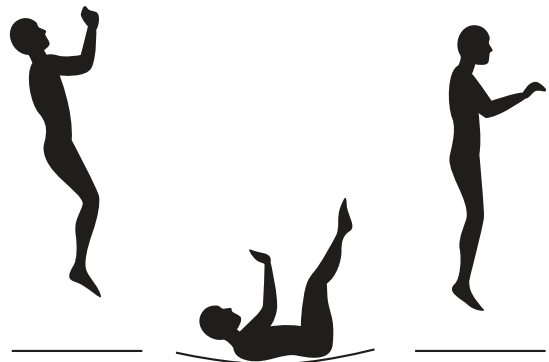
Lesson 3: Hand and Knee Drop

1. Start bouncing from a standing position, keeping your eyes on the frame pad.
2. Land on the mat on your hands and knees.
3. Push with your hands and come back up to an erect position.



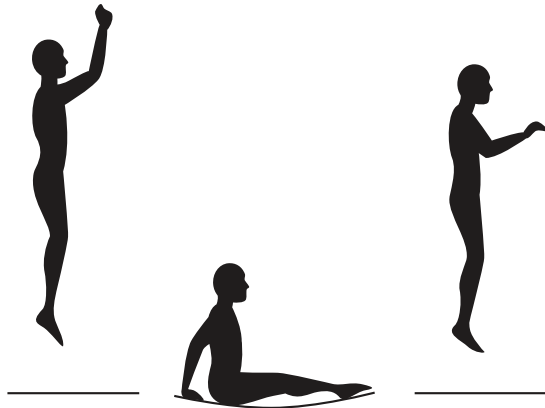
Lesson 4: Back Drop

1. Start from a low bounce and land on your back.
3. Keep your chin forward on your chest as you land.
4. Kick forward and up with your legs to return to an erect position.



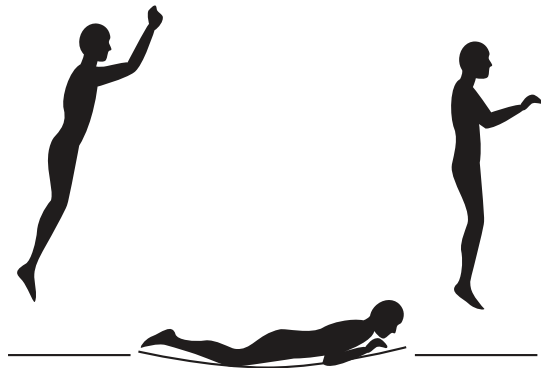
Lesson 5: Seat Drop

1. Land in a sitting position with your legs parallel to the mat.
2. Place your hands on the mat beside your hips.
3. Push with your hands to return to an erect position.



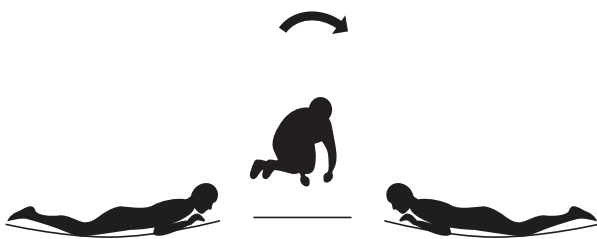
Lesson 6: Front Drop

1. Start from a low bounce and land on the mat in a prone position.
2. Keep your head up and your arms extended forward on the mat.
3. Push with your arms to return to an erect position.



Lesson 7: Half Turntable

1. Start from the front drop position and push to the left or right with your arms turning your body in the opposite direction.
2. Turn your head and shoulders toward the direction that your body is turning.
4. Keep your back parallel to the mat and your head up.
5. After completing a half turn, land in the front drop position.



Lesson 8: Swivel Hips

1. Start with a seat drop.
3. Turn your head to the left or right and swing your arms up in the same direction.
4. Turn your hips in the same direction as your head and arms, completing a twist.
5. Land in the seat drop position.
4. Keep your back parallel to the mat and your head up.
5. After completing a half turn, land in the front drop position.



Once each of lessons are learned, the student should now be encouraged to design and organize routines, with emphasis on good form. The instructor may judge or grade students and arrange groupings for further instruction accordingly.

To stimulate interest in competition, the game of "Trampoline Horse" can be introduced. Before the game begins, students must count off. To start the game, student number 1 performs a stunt. Student number 2 then mounts the trampoline, performs the same stunt and adds a second stunt. Student number 3 mounts and performs stunts 1 and 2 and adds a third stunt. Thus the series of stunts is continuously lengthened. The first person to miss a stunt in the series assumes the letter "H" and starts a new series with a stunt. If a person misses again, he assumes the letter "O." When a person accumulates "H-O-R-S-E," he or she is eliminated from the game. The last remaining contestant is the winner. Lesson planning from this point on should be facilitated by contacting a certified trampoline instructor.

TRAMPOLINE SAFETY INFORMATION

In trampoline use, as in all active recreational sports, participants can be injured. However, there are steps that can be taken to reduce risk of injury. In this section, primary accident patterns are identified and the responsibilities of supervisors and jumpers in accident prevention are described.

ACCIDENT CLASSIFICATION

Somersaults (flips): Landing on your head or neck, even in the middle of the trampoline mat, increases the risk of a broken back or neck, which can result in paralysis or death. Such events can occur when a jumper makes an error trying to perform a forward or backward somersault (flip). Do not perform somersaults(flips) on this backyard trampoline.

Multiple Jumpers: More than one jumper at a time on the trampoline increases the chance of a jumper becoming injured by losing control of his or her jump. Jumpers may collide with one another, fall off of the trampoline, fall onto or through the springs, or land incorrectly on the mat. The jumper weighing the least is the jumper most likely to be injured.

Mounting and Dismounting (Getting on and off): The trampoline mat is several feet above ground level. Jumping from the trampoline to the ground or any other surface may result in injury. Jumping onto the trampoline from a roof, deck, or other objects also presents a risk of injury. Smaller children may need assistance getting onto or down from the trampoline. Climb carefully onto and off of the trampoline. Do not step onto the springs or the fame pad. Do not grasp the frame pad to pull yourself onto the trampoline.

Striking the Frame or the Springs: Injury may result from hitting the frame or falling through the springs while jumping or getting onto or off of the trampoline. Stay in the center of the mat when jumping. Be sure to keep the frame pad in place to cover the fame. The frame pad is not made or intended to support the weight of trampoline user. Do not step or jump directly on the frame pad.

Loss of Control: Jumpers who lose control of their jumps may land on the mat incorrectly, land on the frame or springs, or fall off of the trampoline. A controlled jump is one where the landing is in the same spot as the takeoff. Before learning a more difficult stunt, you should be able to do one over an over with control. Attempting a stunt beyond present skill levels increases the chance of loss of control. To regain control and stop your jump bend your knees sharply when you land.

Alcohol or Drug Use: The chance of injury increases when a jumper has consumed alcohol or taken drugs. These substances impair a person's reaction time, judgment, and physical coordination.

Encountering Objects: Jumping on a trampoline while other people, pets, or objects are underneath it will increase the chance of getting hurt. Jumping while holding or having an object on the trampoline, particularly one that is sharp or breakable, will increase the chance of injury. Placing a trampoline too close to overhead electrical wires, tree limbs, or other objects can increase the chance of injury.

Poor Maintenance of The Trampoline: Jumpers may be injured if a trampoline is in poor condition. A torn mat, bent frame, broken spring, or missing frame pad, for example, should be replaced before anyone is allowed to jump. Inspect the trampoline before each use.

Weather Conditions: A wet trampoline is too slippery for safe jumping. Gusty or high winds can cause jumpers to lose control. To reduce the chance of injury, use the trampoline only when the weather is good.

Access: To prevent access to the trampoline by unsupervised smaller children, the optional access ladder should always be taken away and stored in a safe place when the trampoline is not in use.

ENCLOSURE SAFETY INFORMATION

NEED FOR TRAMPOLINE ENCLOSURE SAFETY

A trampoline enclosure is a recreational product. The information on this page identifies important safety precautions. The precautions are not all-inclusive, because an enclosure can be used in ways that this manual cannot cover completely.

To prevent pinches and cuts during enclosure use, a frame pad must be installed on the trampoline (see the trampoline manufacturer's instructions). The frame pad must be placed on the trampoline before the enclosure is erected. The frame pad reduces the chance of injury from accidental contact with the springs and frame.

USING THE ENCLOSURE SAFELY

Adult Supervision of Children

Children using a trampoline with a trampoline enclosure must be supervised by adults. Young children must be supervised constantly. Adults must pay particular attention to:

- Things that children bring into the enclosure
- Children's activities inside the enclosure
- Conditions inside the enclosure while children are using it
- The way children enter and exit the enclosure

Additional details of safety enclosure use are described below:

Electrocution Hazard Associated with the Metal Frame of the Trampoline and Enclosure

The trampoline and enclosure frames are made of galvanized steel. They are not grounded and will conduct electricity. For this reason, an electrocution hazard exists. No lights, electric heaters, extension cords, or household electrical appliances are to be permitted on the trampoline or in the enclosure at any time.

Hazards Associated with Entering and Exiting the Trampoline Enclosure

A trampoline enclosure installed on a trampoline is raised off the ground. The height of the enclosure increases the risk of a fall when a jumper is entering or leaving the enclosure. Young children especially may have difficulty entering and exiting the enclosure. To reduce the risk of falling, always help young children to get into and out of the enclosure.

Enter and exit the trampoline enclosure only through the door of the enclosure (the opening in the netting walls). The trampoline mat (bed) and the netting walls of the enclosure are separate pieces. No jumper, especially young children, should ever leave the enclosure by going out between the mat and the netting walls. Trying to get out this way creates a risk of choking from being caught between the trampoline frame and the netting walls.

Darkness increases the chances of a fall when a jumper is entering or leaving the enclosure. Do not use the trampoline unless there is plenty of lighting provided.

Hazards Associated with Animals, Sharp or Breakable Objects

To avoid damage to the trampoline enclosure and the trampoline, do not allow pets or other animals inside of the enclosure. The claws and teeth of animals can damage the netting. Do not jump on the trampoline while holding or wearing a sharp or breakable object.

METHODS OF ACCIDENT PREVENTION

THE SUPERVISOR'S ROLE IN PREVENTING ACCIDENTS

It is the responsibility of the supervisors of trampoline users to provide knowledgeable and mature supervision. They need to know and enforce all of the rules and warnings printed in this manual to minimize the likelihood of accidents and injuries. They also need to inform users of these rules. During periods of time when supervision is unavailable or inadequate, this may require that the trampoline is taken down, placed in a secure area, or otherwise secured against unauthorized use. Another option that may be considered is covering the trampoline with a heavy tarp that can be secured with locks and chains. It is the responsibility of the supervisor to make sure that the placard with trampoline safety instructions is kept posted on the trampoline and that jumpers are informed about these instructions.

THE JUMPER'S ROLE IN PREVENTING ACCIDENTS

Education on the part of the user is a must for safety. Users must first learn a low, controlled bounce and then learn the basic landing positions and combinations before proceeding to intermediate skills. Jumpers must understand why they have to master "control" before they can start thinking about other moves. Understanding the proper progression of skills in jumping on a trampoline must be the first lesson. Review this manual to learn about the basic techniques for using the trampoline. Follow the rules on the placard with trampoline safety instructions (see step [26] in assembly instructions). For further information or additional instructional materials, contact a certified trampoline instructor.

TRAMPOLINE SAFETY INSTRUCTIONS

For the Supervisor

Read the instructions before using the trampoline. Enforce all of the safety rules. Become familiar with the information in this manual so you can help new users learn basic jumps and all users follow trampoline safety. All trampoline users must have mature, knowledgeable supervision, regardless of their skill or age. This trampoline is not recommended for use by children under 6 years of age. Inspect the trampoline before using it. Do not use the trampoline without the frame pad securely in place to cover the frame. Do not use the trampoline in wet or windy conditions. A worn or damaged mat, spring, or frame piece should be replaced immediately.

Jumping

Learn fundamental jumps and body positions thoroughly before trying more advanced skills. Know your own limits in performing each of the trampoline jumps. Study this manual to learn how to do basic jumps. Stop your bounce by flexing your knees as your feet come in contact with the trampoline mat. Learn this skill before attempting any others.

HAZARDS ASSOCIATED WITH HIGH WINDS

A trampoline with an enclosure can be moved or blown over by high winds. Anyone in its path, or inside of the enclosure, may be injured if this happens. If you expect high winds, take down the enclosure netting and stake the trampoline frame to the ground, or move the trampoline and enclosure to a sheltered location. The only sure method to protect your trampoline and the surrounding environment during high winds is to completely disassemble the unit and store indoors. Damage due to wind or weather is not warranted.

LIMITED WARRANTY

Skywalker Holdings, LLC warrants its products to be free from defects in material and workmanship under normal use and service conditions. **The steel frame is warranted for three (3) years after the date of purchase. All other parts are warranted for one (1) year after the date of purchase.** Warranty coverage extends only to the original retail purchaser from the date of original purchase. This warranty is only valid concerning products used for residential use. Products used for commercial use, such as schools and daycares, will not be covered.

WHAT IS NOT COVERED?



Weather Damage: The warranty does not cover damage due to the effects or acts of nature, such as earthquakes, wind, hurricanes, tornadoes, lightning, rain, fire, snow, excessive heat and cold conditions and/or sun damage. During the winter months the trampoline soft materials will need to be removed and stored in a dry place out of the snow. If left unprotected in the winter months, some components such as springs, jump mat, spring pad and enclosure, may become damaged, voiding this warranty.



Fading and Rust: Our products are fully galvanized. Skywalker does not warranty against rust or corrosion. Some areas may have higher air salt content, higher humidity, heavier rain and heavier snow. Skywalker does not warranty against fading. We suggests customers use a UV protectant on the frame pad to extend the life of the product.



Loss or damage to Product Due to: **Loss or damage caused during** shipping or caused by abuse, misuse, improper or abnormal usage or authorized repair are not covered by this warranty and may also void the warranty.



Unauthorized Replacement Parts: The warranty will become void if any defects or damages are associated with the use of unauthorized replacement parts. All replacement parts must be obtained from an authorized agent.



Assembly Service: The warranty does not cover acts or omissions provided by a third-party assembly service. It is the customer's responsibility to check all boxes and confirm all components are included and in their proper condition before installation occurs.

INSPECTION AND REPLACEMENT PARTS:

1. Your trampoline SHOULD BE INSPECTED UPON UNPACKING AND SET UP AND THEREAFTER ON A REGULAR BASIS. WORN, DAMAGED OR BROKEN PARTS SHOULD BE REPLACED IMMEDIATELY AND BEFORE USE.
2. Call the Skywalker Trampoline Customer Service Department at 1-866-603-5867 to file a warranty claim. Be prepared to provide the following information: name, shipping address, a copy of your original sales receipt, a brief description of the problem and cause, trampoline model number and serial number. We may also ask for photos of the damaged/defective parts.
3. After reviewing your information and examining your photos, Skywalker Trampolines will make the determination if this part is covered by this warranty. If so, a replacement part will be sent to you.

NOTE: All requested information must be provided in order to review your warranty claim.

To order replacement parts for your product please visit www.skywalkertrampolines.com

Skywalker Holdings, LLC, PO Box 574, Brigham City, UT 84302 USA.

Printed in China © 2017 Skywalker Holdings, LLC

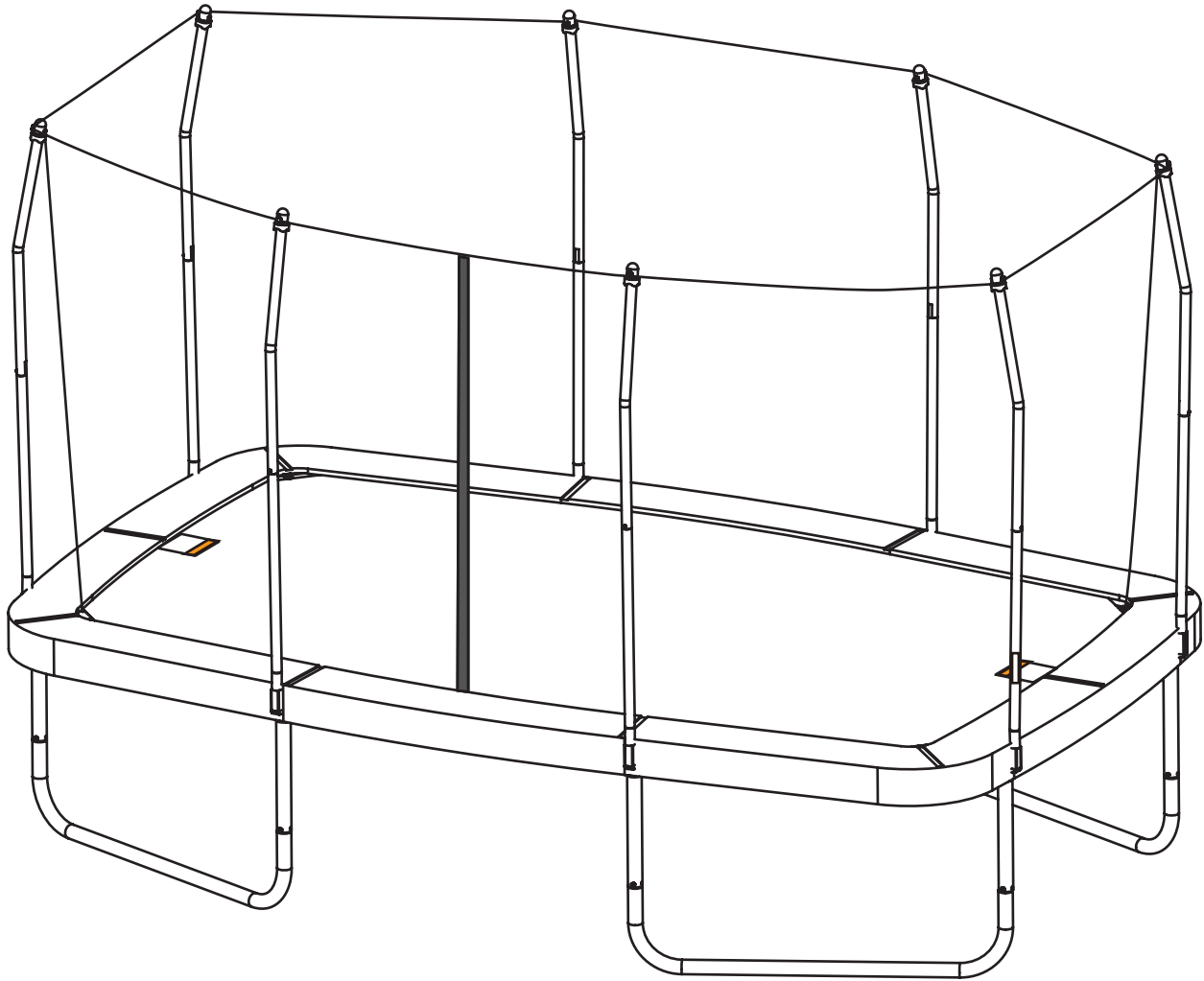
NOTE: SKYWALKER HOLDINGS, LLC IS NOT RESPONSIBLE OR LIABLE FOR INDIRECT, SPECIAL OR CONSEQUENTIAL DAMAGES ARISING OUT OF OR IN CONNECTION WITH THE USE OR PERFORMANCE OF THE PRODUCT OR OTHER DAMAGES WITH RESPECT TO ANY ECONOMIC LOSS, LOSS OF PROPERTY, LOSS OF REVENUE OR PROFITS, LOSS OF ENJOYMENT OR USE, COST OF REMOVAL, INSTALLATION OR OTHER CONSEQUENTIAL DAMAGES. SOME STATES DO NOT ALLOW THE EXCLUSION OR LIMITATION OF INCIDENTAL OR CONSEQUENTIAL DAMAGES. ACCORDINGLY, THE ABOVE LIMITATION MAY NOT APPLY TO YOU.

THE WARRANTY EXTENDED HEREUNDER IS IN LIEU OF ALL OTHER WARRANTIES AND ANY IMPLIED WARRANTY OF MERCHANTABILITY OR FITNESS FOR A PARTICULAR PURPOSE IS LIMITED IN ITS SCOPE AND DURATION TO THE TERMS SET FORTH HEREIN. SOME STATES OR COUNTRIES DO NOT ALLOW LIMITATIONS ON HOW LONG AN IMPLIED WARRANTY LASTS. ACCORDINGLY, THE ABOVE LIMITATION MAY NOT APPLY TO YOU. THIS WARRANTY GIVES YOU SPECIFIC LEGAL RIGHTS. YOU MAY ALSO HAVE OTHER RIGHTS WHICH VARY STATE TO STATE OR COUNTRY TO COUNTRY.

THIS WARRANTY IS VALID ONLY IN THE COUNTRY THE PRODUCT WAS PURCHASED.

MONTAJE, MANTENIMIENTO Y MANUAL DEL USUARIO

MODELO N.º STRC1400



ADVERTENCIA

Lea todas las precauciones e instrucciones de este manual antes de utilizar este producto. Guarde este manual para consultarlo en el futuro. **Peso máximo del usuario: 200 lb**

SKYWALKER

TRAMPOLINES

Skywalker Holdings LLC
P.O. Box 574, Brigham City, UT 84302

ÍNDICE

Lista de piezas	3
Identificación de piezas	4-5
Dibujo de despiece	6
Montaje	7-18
Información de mantenimiento y cuidado	19
Instrucciones de uso	20
Posición de la etiqueta de advertencia	21
Instrucciones y lecciones modelo	22-23
Información de seguridad del trampolín	24
Información de seguridad del cerramiento	25
Métodos para evitar accidentes	26
Garantía limitada	27



DEJE TODO LO QUE ESTÁ HACIENDO Y REGISTRE SU TRAMPOLÍN

Encontrará nuestro registro de garantía en línea ingresando en: www.skywalkertrampolines.com/registration/

Deberá tener la siguiente información a mano:

- Nombre
- Dirección
- Número de teléfono
- Fecha de compra
- Correo electrónico
- Número de modelo del trampolín
- Número de serie del trampolín
- Vendedor al que le compró el trampolín

¡TENEMOS ALGO MUY IMPORTANTE QUE DECIRLE!

¡Visite nuestra página web! Tenemos **videos del montaje** (para quienes prefieren ver en vez de leer), **preguntas frecuentes** (en caso de que tenga alguna pregunta que alguien más ya haya hecho), publicaciones fascinantes en **blogs** (¿sabía que saltar permite quemar más calorías que correr?) y lo más importante... ¡Puede encontrarnos en las redes sociales! Porque queremos ser su amigo. **¡Nos encantaría estar en contacto con usted!**

Sitio web: skywalkertrampolines.com

Facebook: facebook.com/skywalkertrampolines

YouTube: youtube.com/c/SkywalkerTrampolines

Pinterest: pinterest.com/swtrampolines

Twitter: twitter.com/swtrampolines

Instagram: instagram.com/skywalker_trampolines



¡IMPORTANTE

Los trampolines y los cerramientos pueden dañarse con el viento. Asegúrese de fijar el trampolín y el cerramiento. La garantía de su trampolín no cubre los daños ocasionados por el viento.



¡ADVERTENCIA

PELIGRO DE ASFIXIA: las partes pequeñas no son para niños menores de 3 años.



¡ADVERTENCIA

Es necesario que el montaje lo realice un adulto.

LISTA DE PIEZAS

N.º de ref.	Cant.	Descripción	N.º de ref.	Cant.	Descripción
1	8	Manguito (puede venir preinstalado)	14	8	Tapa del poste
2	4	Tubo esquinero	15	8	Tapa del extremo
3	4	Tubo medio	16	8	Perno M5x50 mm
4	8	Poste de la pata	17	8	Tornillo autorroscante
5	4	Refuerzo de la pata	18	16	Perno M6 x 63 mm
6	1	Lona de salto	19	32	Arandela M6
7	80	Resorte largo	20	16	Tuerca M6
8	4	Resorte corto	21	1	Herramienta para el resorte
9	1	Almohadilla del armazón	22	1	Destornillador
10	1	Red del cerramiento	23	1	Llave
11	8	Tubo curvo	#	1	Manual del usuario y letrero de seguridad
12	8	Tubo recto	#	1	Juego de etiquetas del armazón ASTM
13	16	Gomaespuma			

PEDIDO DE PIEZAS DE REPUESTO

Lo sabemos... A veces hay inconvenientes. Pero la diversión no debería detenerse solo porque necesita un perno o un tornillo nuevos. Para pedir piezas de repuesto, consulte nuestro sitio web: www.skywalkertrampolines.com, o llame a nuestra línea directa gratuita de Atención al Cliente al **1-866-603-Jump (5867)**, de lunes a viernes, de 8 a. m. a 5 p. m., hora de la montaña (excepto días festivos).

Nuestro equipo de atención al cliente le hará algunas preguntas para enviarle la pieza de repuesto lo antes posible. Tenga la seguridad de que no es nuestra intención complicarle la vida.

Cuando llame, asegúrese de contar con la siguiente información:

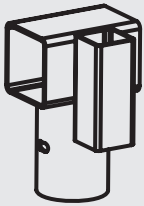
- El n.º de modelo del producto (consulte la portada de este manual)
- El n.º de referencia y la descripción de la pieza (consulte la lista de piezas anterior)
- La cantidad necesaria (solo usted sabe la respuesta a esta pregunta!)

ANTES DE COMENZAR

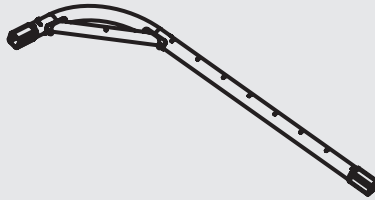
¡Gracias por elegir Skywalker Trampolines! Estamos tan emocionados como usted por ayudar a que su familia tenga un estilo de vida activo (pero lo más importante: **DIVERTIDO**). Este modelo es uno de nuestros favoritos, y estamos seguros de que a usted también le encantará. Para su comodidad, incluimos una lista de información importante que usted y sus pequeños aventureros al aire libre deben conocer. Asegúrese de repasar todas las advertencias, instrucciones, la información de montaje, mantenimiento y uso de su nuevo producto, porque al final de este manual, encontrará un cuestionario. (Bueno, no es **EN SERIO**, pero si aún está leyendo esto, ¡bien hecho! ¡Usted es genial!)

IDENTIFICACIÓN DE PIEZAS

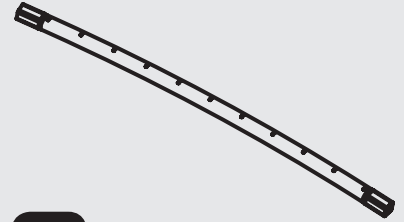
Antes de comenzar, observe los dibujos que aparecen a continuación para asegurarse de que posee todas las piezas. Los números que se encuentran en los recuadros ubicados a la izquierda (números de referencia) lo ayudarán a identificar las piezas durante el montaje.



1 Manguito (x8) (puede venir preinstalado)



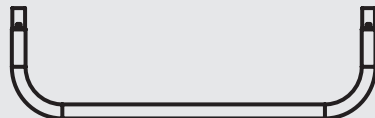
2 Tubo de la esquina (x4)



3 Tubo medio(x4)



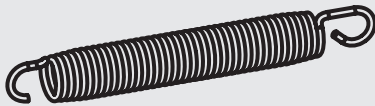
4 Poste de la pata (x8)



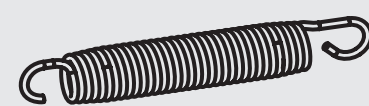
5 Refuerzo de la pata (x4)



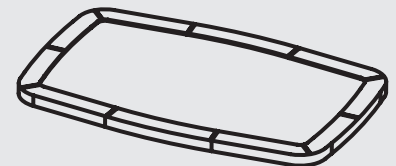
6 Lona de salto (x1)



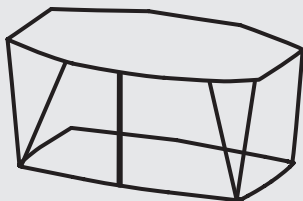
7 Resorte largo (80)



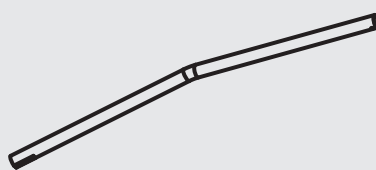
8 Resorte corto (x4)



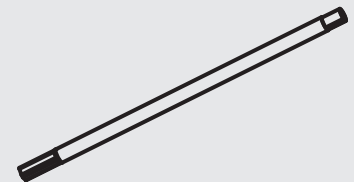
9 Almohadilla del armazón (x1)



10 Red del cerramiento (x1)



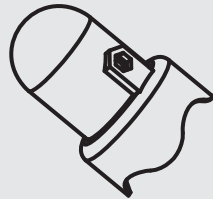
11 Tubo curvo (x8)



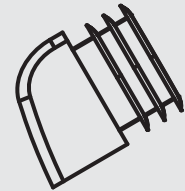
12 Tubo recto (x8)



13 Gomaespuma (x16)



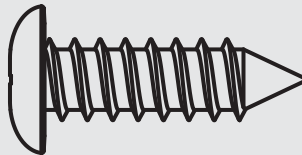
14 Tapa del poste (x8)



15 Tapa del extremo (x8)



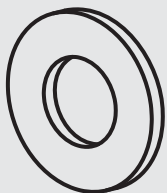
16 Perno M5 x 50 mm (x8)



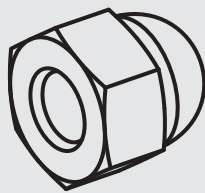
17 Tornillo autorroscante (x8)



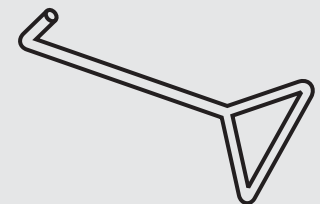
18 Perno M6 x 63 mm (x16)



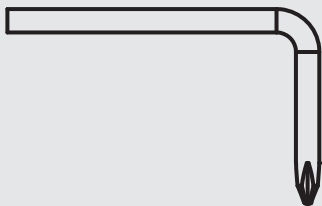
19 Arandela M6 (x32)



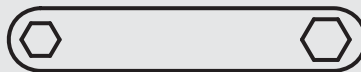
20 Tuerca M6 (x16)



21 Herramienta para el resorte (x1)

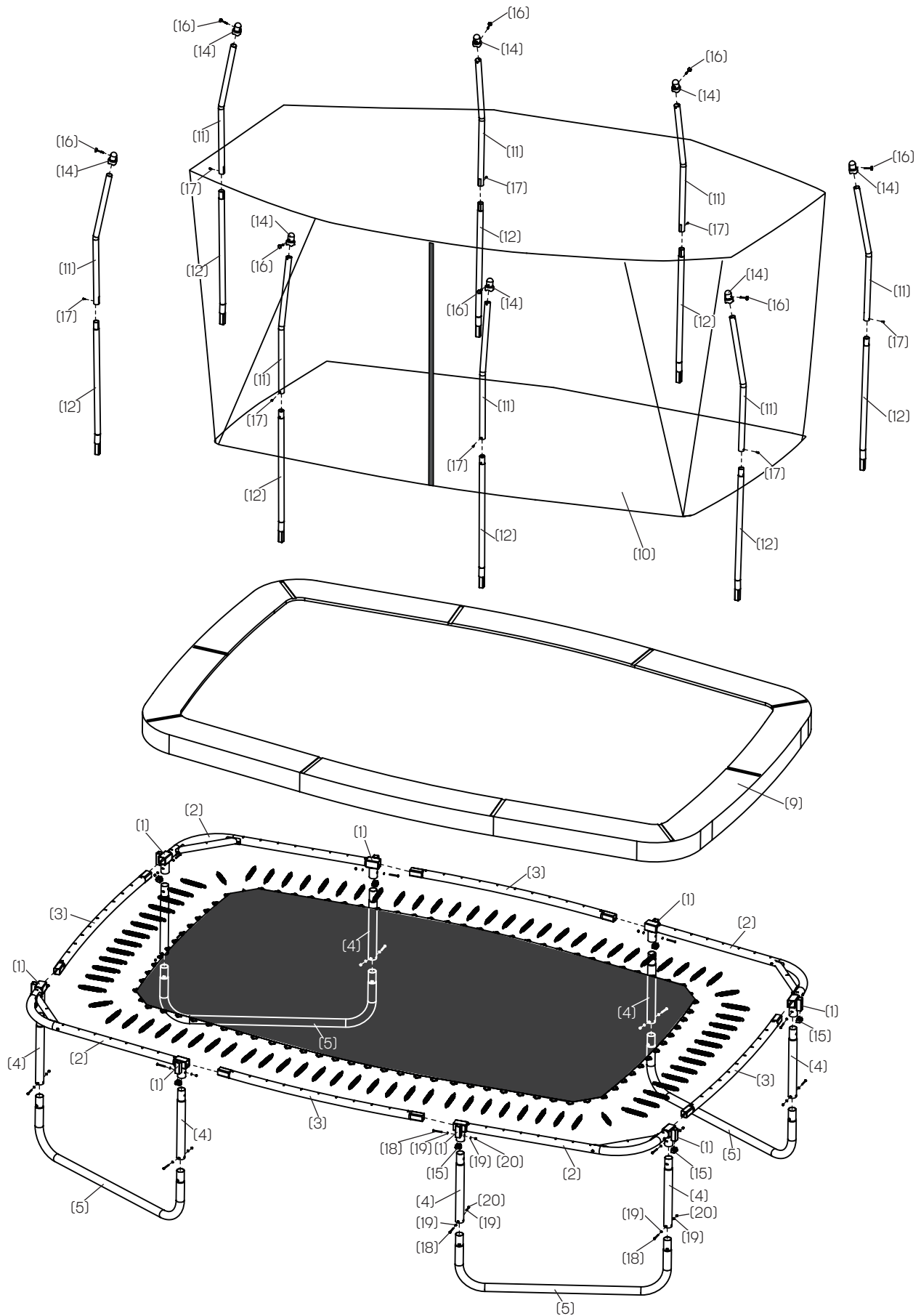


22 Destornillador (x1)



23 Llave (x1)

DIBUJO DE DESPIECE



MONTAJE

LEA LO SIGUIENTE ANTES DE COMENZAR

- Es probable que se necesiten, al menos, **dos adultos** y **2 horas** para montar su trampolín (esto dependerá del modelo que tenga y de si usted es o no un superhéroe encubierto).
- Hemos incluido un destornillador Phillips y una llave ajustable para que utilice durante el montaje, pero también puede utilizar sus propias herramientas. Muchas personas consideran que utilizar un taladro eléctrico y un mazo de goma simplifica la tarea.
- Use guantes para proteger sus manos de los puntos de pellizco durante el montaje. Además, ¡es la moda que se está imponiendo!
- Los pasos de montaje hacen referencia a las piezas por medio de sus descripciones y números de referencia (consulte la lista de piezas en la página 3).
- Los pasos de montaje se enumeran en un orden específico, y si no los sigue al pie de la letra, es posible que tenga que empezar de cero nuevamente.
- Lo más importante es que... ¡USTED PUEDE HACERLO! ES EL MEJOR MONTADOR DE TRAMPOLINES QUE EXISTE. Probablemente esto no sea lo más sencillo que ha hecho, pero **valdrá la pena**. Confíe en nosotros.

Y si le resulta más fácil aprender por medios visuales, ¡vea nuestros videos de montaje!

Visite: youtube.com/c/SkywalkerTrampolines

PASO 1

¡Registre su trampolín! Para obtener información sobre el registro de garantía, consulte la página 2.

PASO 2

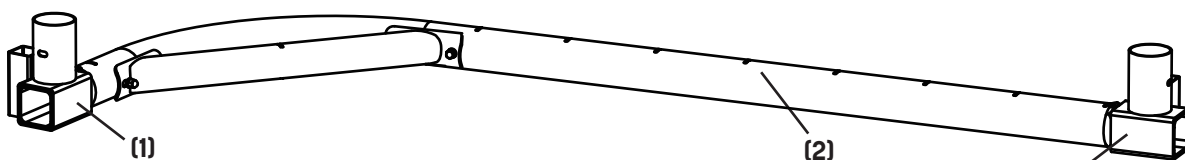


- 1** Manguito (puede venir preinstalado) (x8) **2** Tubo de la esquina (x4)

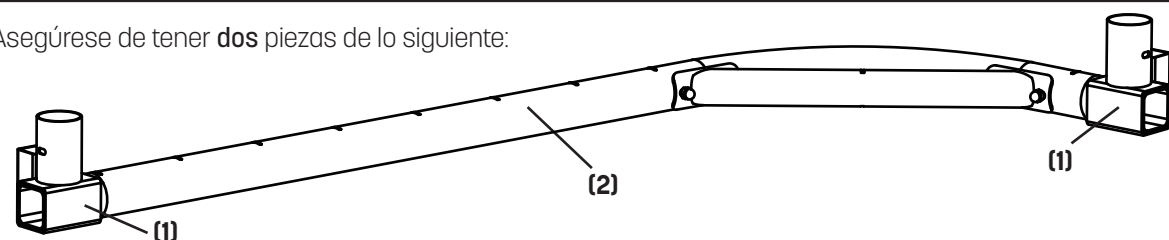
Los manguitos **(1)** deben preinstalarse en los tubos de la esquina **(2)**.

¡Compruebe y asegúrese de tener las siguientes cuatro secciones de esquina!

Asegúrese de tener **dos** piezas de lo siguiente:

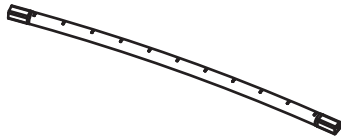


Asegúrese de tener **dos** piezas de lo siguiente:



MONTAJE

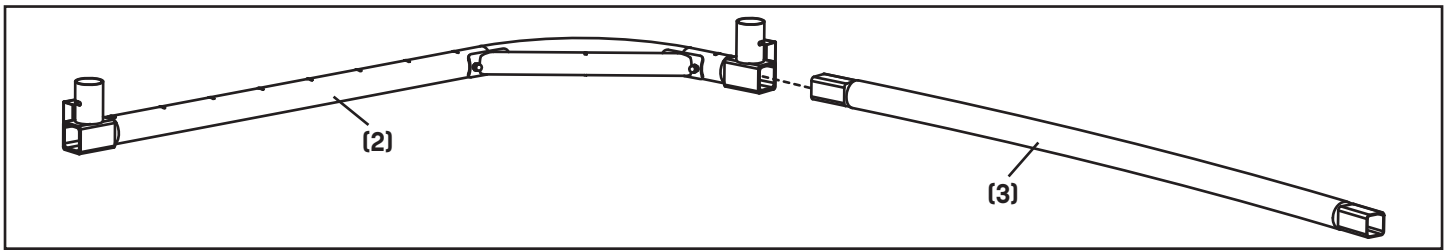
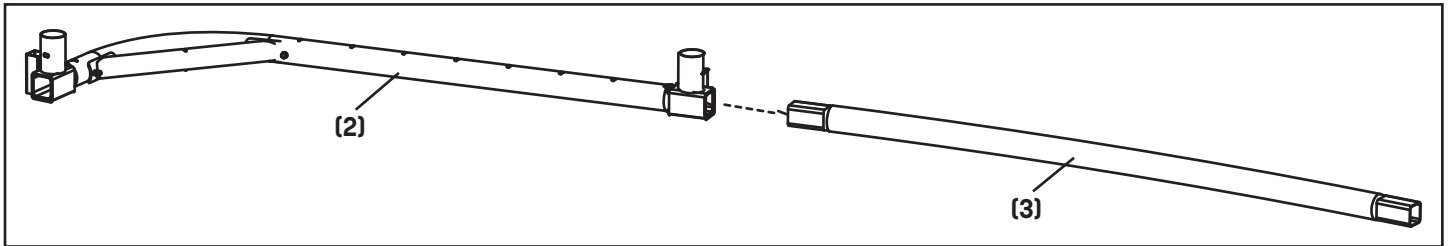
PASO 3



3 Tubo medio(x4)

Luego, inserte los tubos medios**(3)** en los tubos de la esquina, **(2)** tal como se muestra.

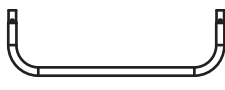
Cuando haya terminado, debe tener **cuatro secciones**, dos de cada tipo.



PASO 4



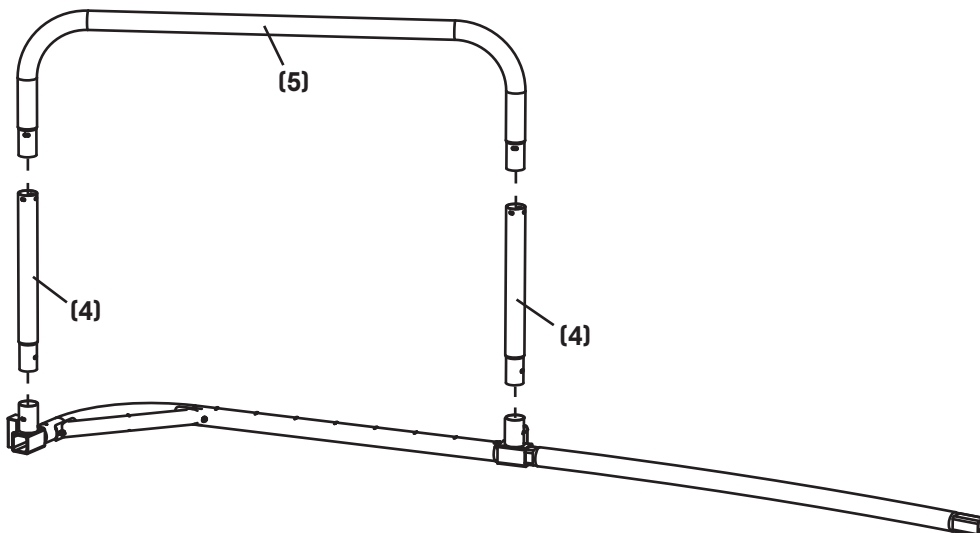
4 Poste de la pata (x4)



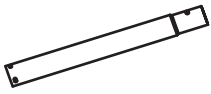
5 Refuerzo de la pata (x2)

Introduzca **dos postes de la pata (4)** en una sección del armazón montada en el paso 3. Luego, introduzca **un refuerzo de la pata (5)** en los postes de la pata, tal como se muestra.

Repita este paso una vez más.



PASO 5



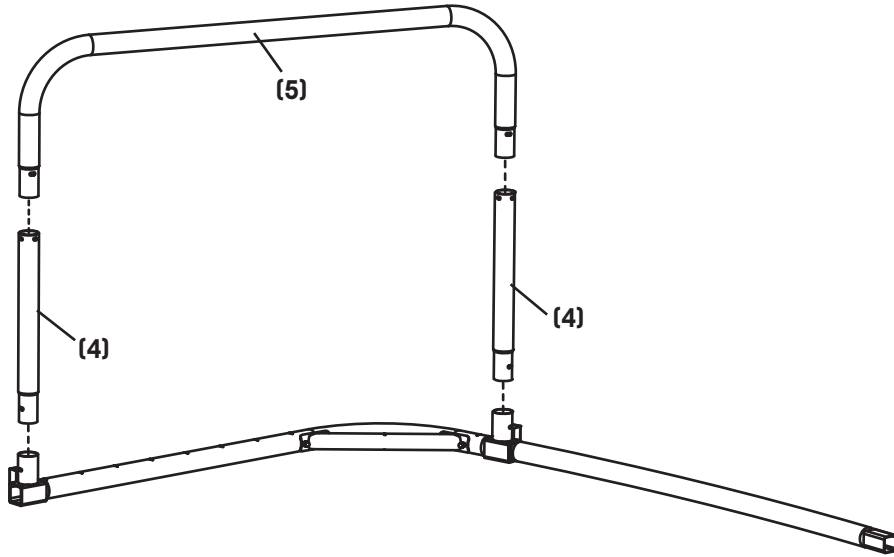
4 Poste de la pata (x4)



5 Refuerzo de la pata (x2)

Introduzca dos postes de la pata **(4)** en una sección del armazón montada en el paso 3. Luego, introduzca un refuerzo de la pata **(5)** en los postes de la pata, tal como se muestra.

Repita este paso una vez más.



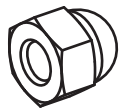
PASO 6



18 Perno M6 x 63 mm (x16)

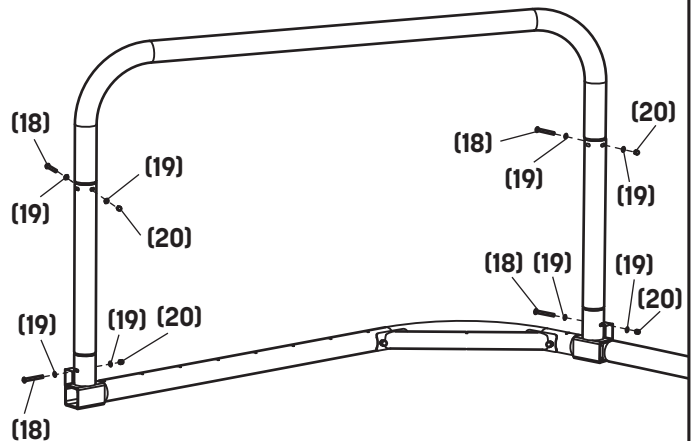
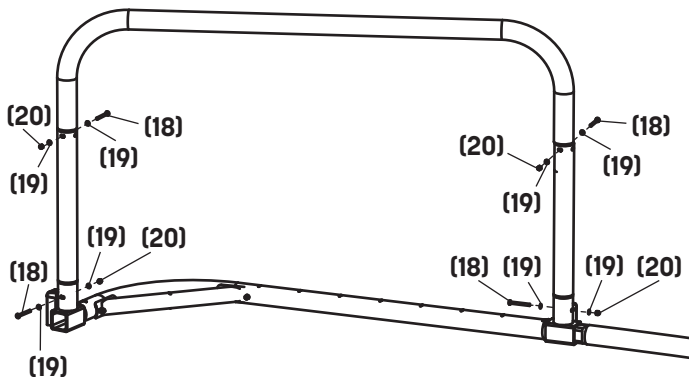


19 Arandela M6 (x32)



20 Tuerca M6 (x16)

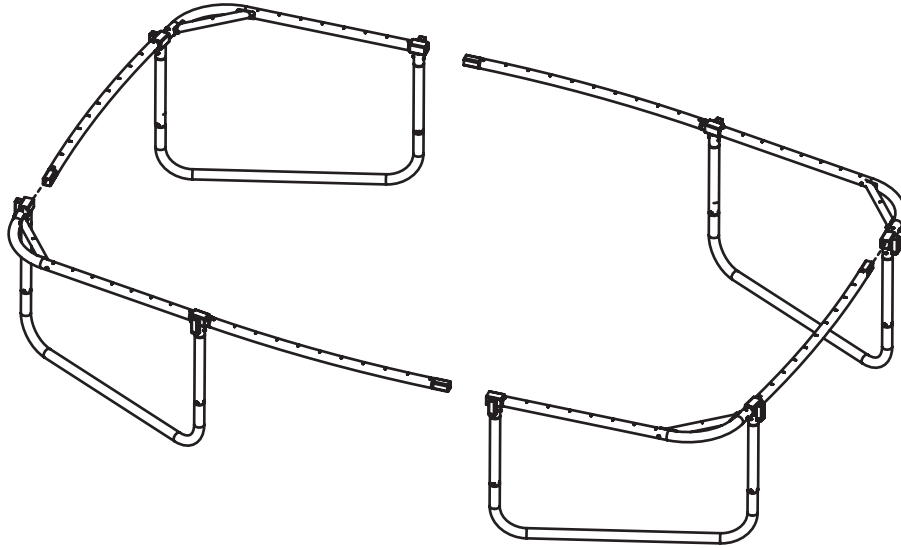
Asegure los postes de la pata a los refuerzos de la pata con 16 pernos (M6 x 63 mm) **(18)**, 32 arandelas M6 **(19)** y 16 tuercas M6 **(20)**.



MONTAJE

PASO 7

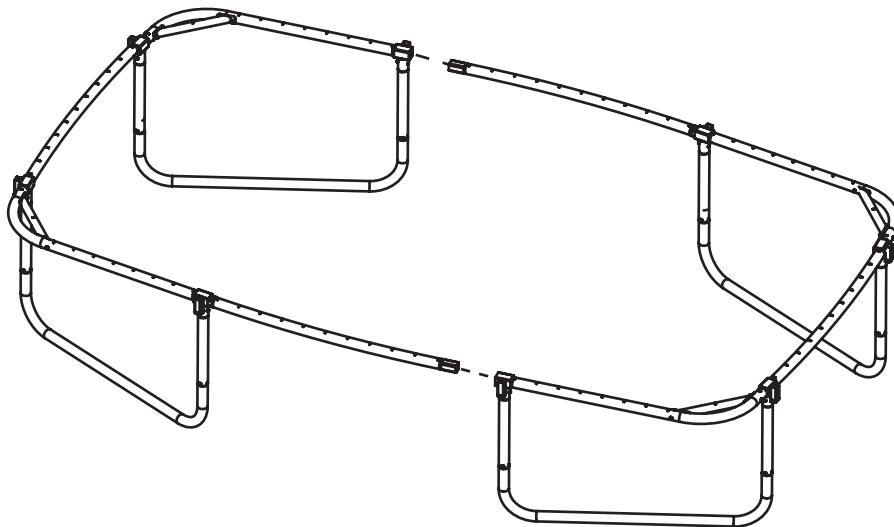
Pídale ayuda a un amigo y voltee las secciones de las patas de la esquina conectadas para que se apoyen sobre estas. (¡No se olvide de este paso! No estamos subestimando su fuerza, pero si conecta todo antes de voltearlo, el armazón completo será muy difícil de dar vuelta). Ahora, deslice las dos secciones de patas de la esquina juntas. Ahora tendrá dos mitades de armazón conectadas.



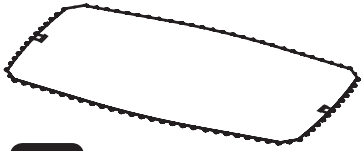
PASO 8

Deslice las dos mitades del trampoline una contra otra para crear un armazón que se mantenga firme por sí solo.

Nota: Asegúrese de que todos los tornillos estén ajustados en su lugar.

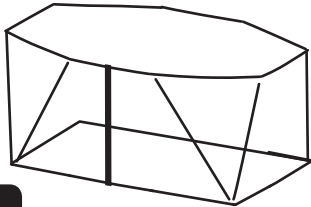


PASO 9



6

Lona de salto (x1)



10

Red del cerramiento (x1)

Para conectar la red del cerramiento a la lona de salto, coloque la lona de salto (6) en el suelo dentro del armazón montado con las etiquetas de advertencia hacia arriba.

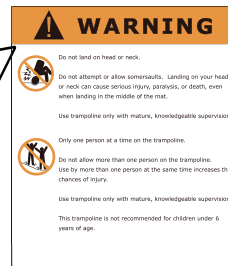
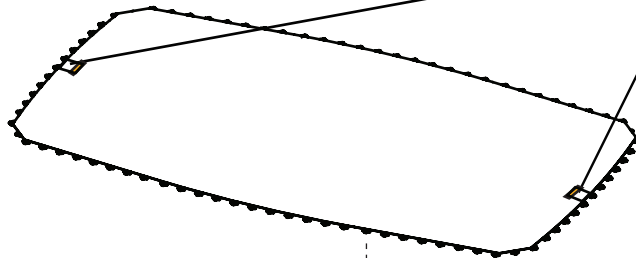
a.) Ahora coloque la red del cerramiento (10) sobre la lona de salto (6) y asegúrese de que el primer agujero de la red (justo a la izquierda de la puerta del cerramiento) y el primer anillo en V estén alineados con el sujetador desde donde se tira de la cremallera en la lona.

Ahora introduzca el primer anillo en V en el primer agujero de la red.

¡Importante! El primer agujero es el que se encuentra directamente a la izquierda de la cremallera de la puerta del cerramiento. El primer anillo en V es el anillo en V conectado con el sujetador desde donde se tira.

b.) Ahora, introduzca los anillos en V restantes en sus agujeros correspondientes. Una vez que haya terminado, la red del cerramiento debería estar totalmente unida a la lona de salto.

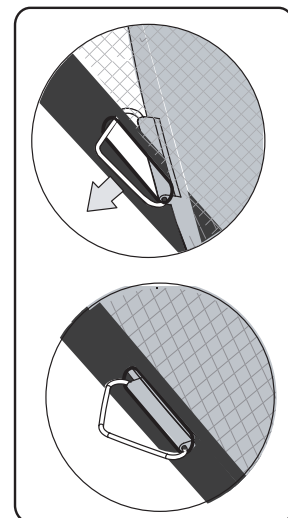
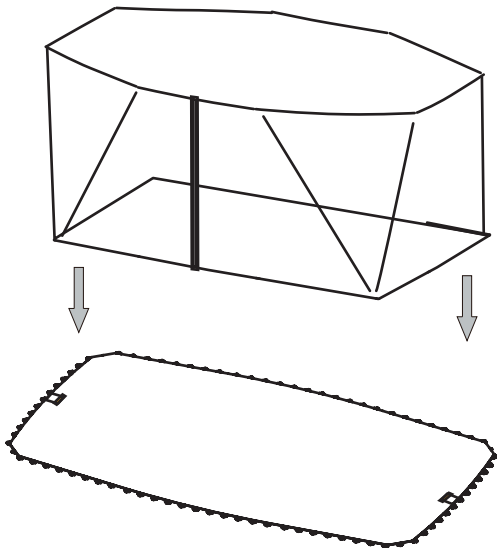
Antes de continuar, asegúrese de que cada anillo en V de la lona de salto pase a través del agujero correspondiente de la red del cerramiento.



Etiqueta de advertencia en la parte superior



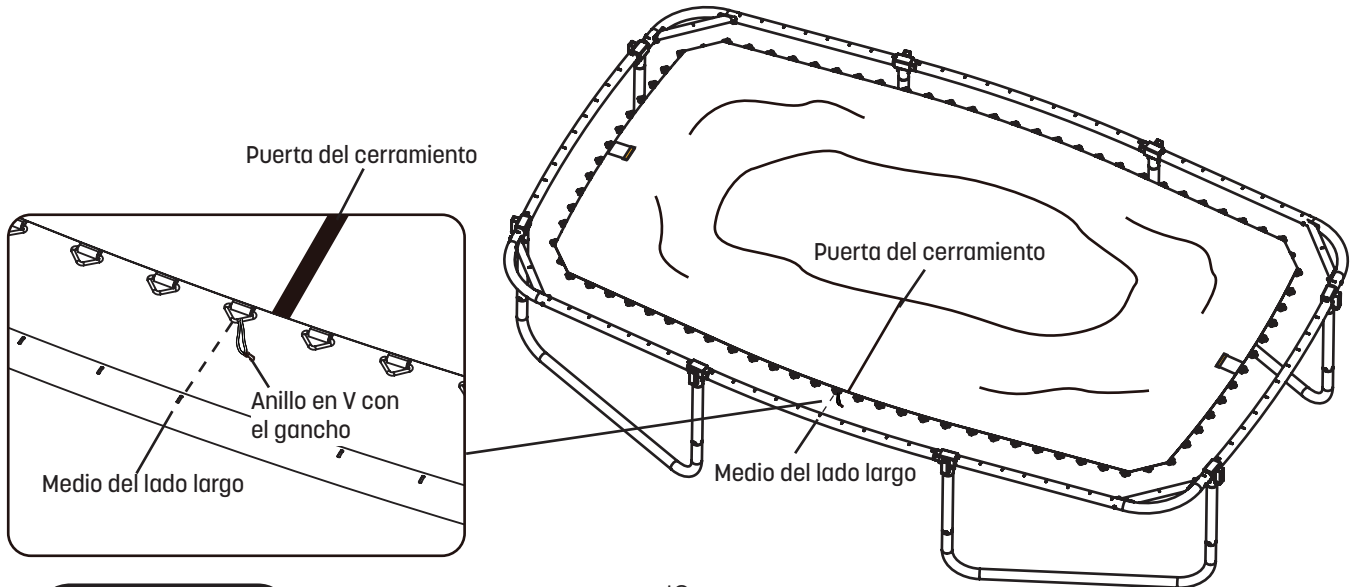
Etiqueta de identificación en la parte posterior



MONTAJE

PASO 10

Coloque la lona de salto en el suelo, dentro del armazón, con la red del cerramiento encima. Colóquela de forma que la lona de salto quede alineada con el armazón. **Asegúrese de centrar el anillo en V con el gancho en el medio del lado largo.**



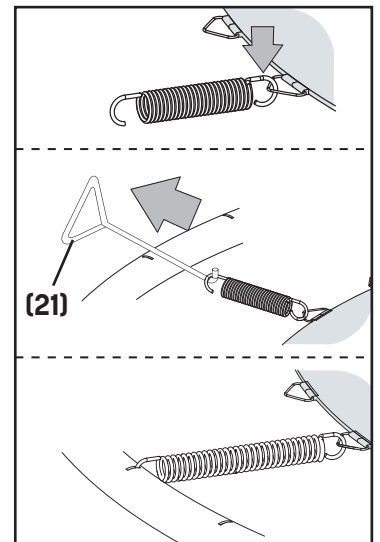
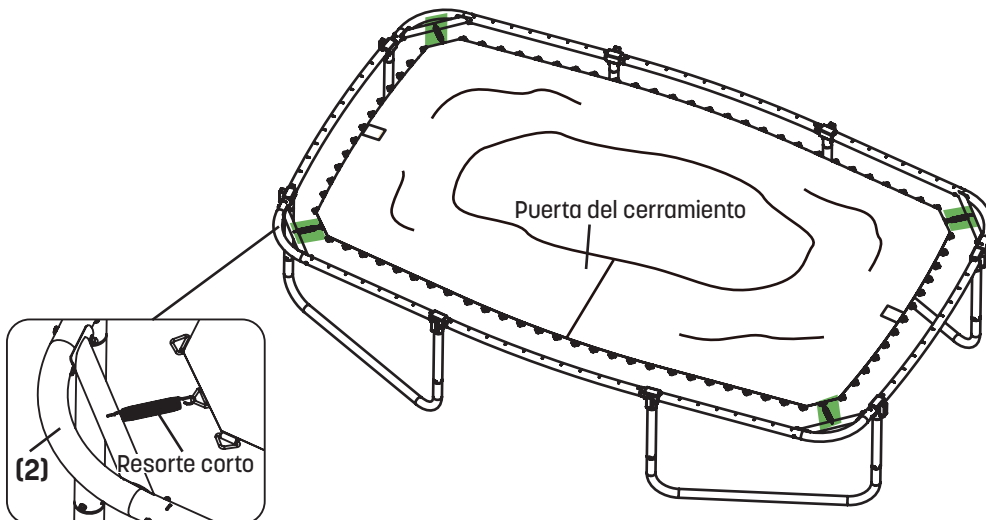
12

PASO 11

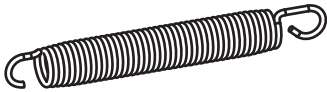


Se recomienda que use guantes para este paso. Utilizando la herramienta para el resorte (21), enganche el extremo más pequeño de un resorte corto (8) en el anillo en V de la esquina. Estire el extremo libre del resorte hasta que alcance el agujero del armazón, en el tubo de la esquina (2). Repita este paso en las tres esquinas restantes.

Ahora debería tener cuatro resortes conectados.



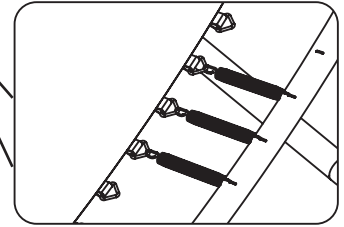
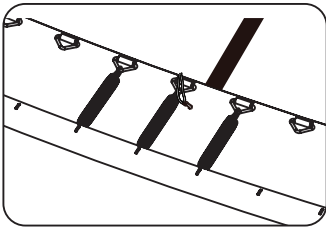
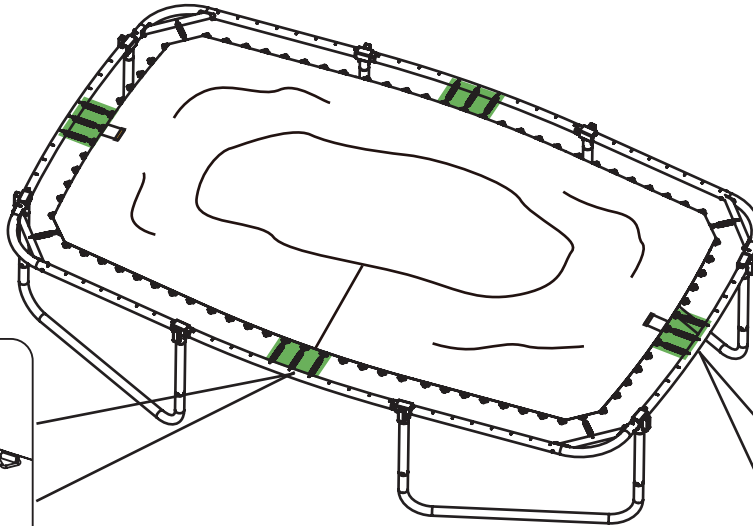
PASO 12



7 Resorte largo (x12)

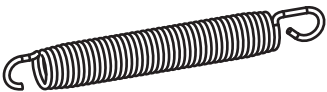
Ahora conecte **12 resortes largos (7)** en el **medio** de cada uno de los **tubos medios del armazón (3)**. Debe haber tres resortes colocados en cada lado.

Ahora debería tener 16 resortes conectados.



13

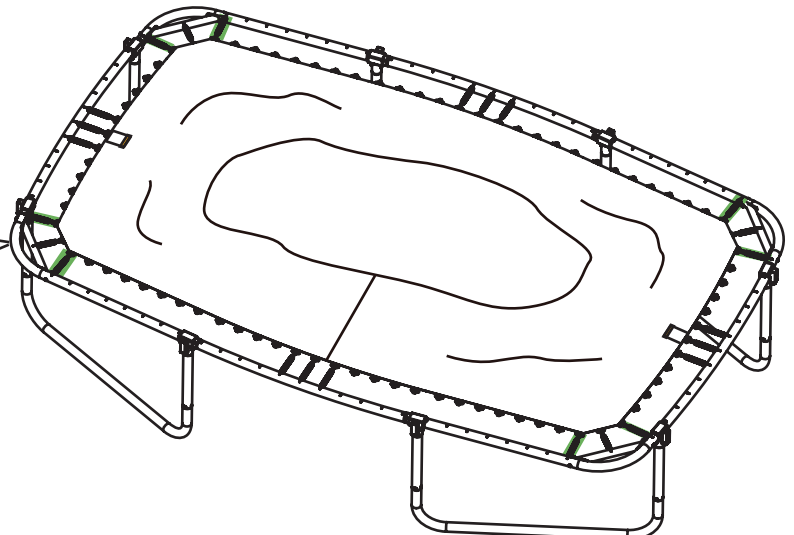
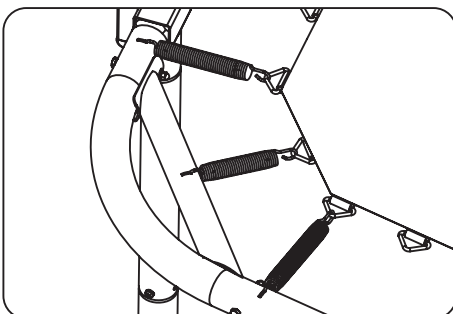
PASO 13



7 Resorte largo (x8)

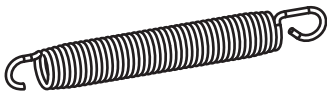
Utilizando la herramienta para el resorte (21), enganche **dos resortes largos (7)** en los anillos en V en **cada esquina** de la lona. Estire los extremos libres de los resortes hasta que alcancen los agujeros más cercanos del armazón, en los tubos de la esquina (2).

Ahora debería tener 24 resortes conectados.



MONTAJE

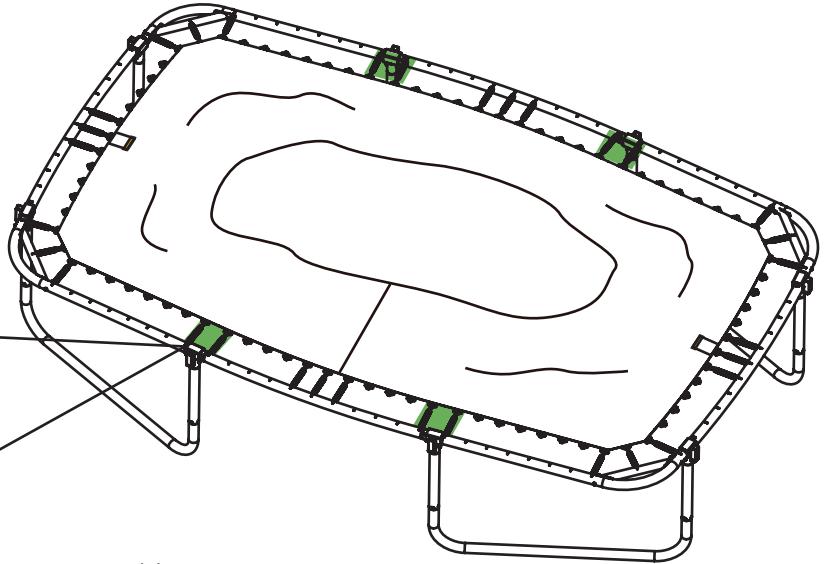
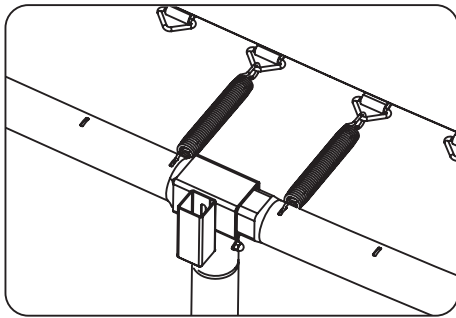
PASO 14



7 Resorte largo (x8)

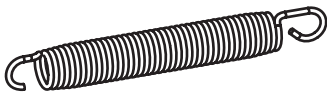
Conecte **dos resortes largos más (7)** a cada lado de los **cuatro manguitos (3)** en el **lado largo**, tal como se muestra a continuación.

Ahora debería tener 32 resortes conectados.



14

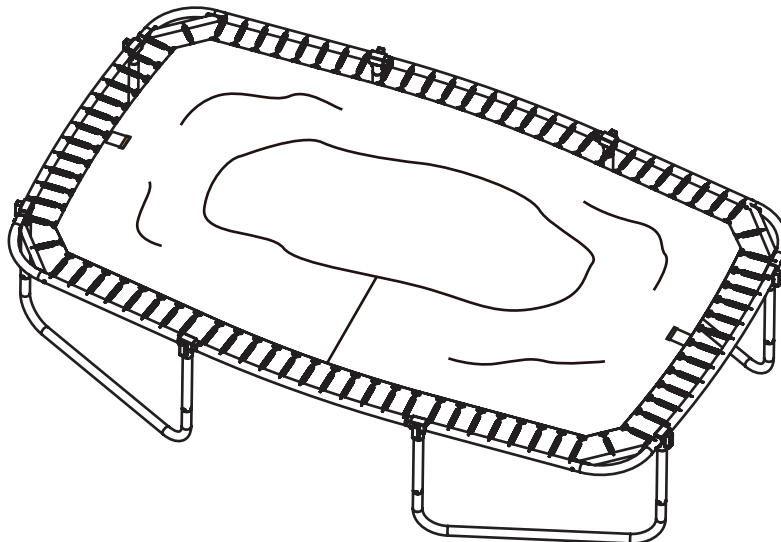
PASO 15



7 Resorte largo (x52)

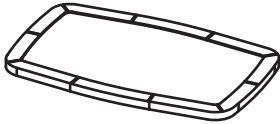
Ahora conecte todos los resortes restantes **en sentido horario**. Asegúrese de que los **anillos en V** y los **agujeros del armazón** estén alineados correctamente.

[Recuerde que usted es el jefe. ¡Los resortes harán lo que usted diga! Y también lo que digan las personas que están ayudando...]



14

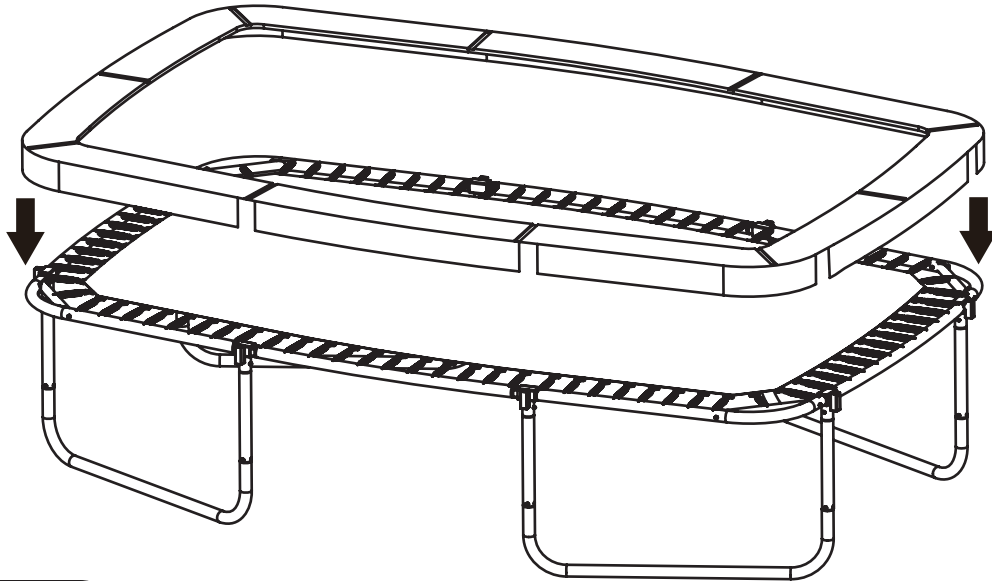
PASO 16



9 Almohadilla del armazón (x1)

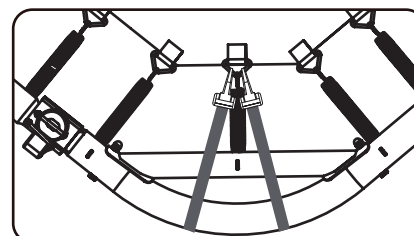
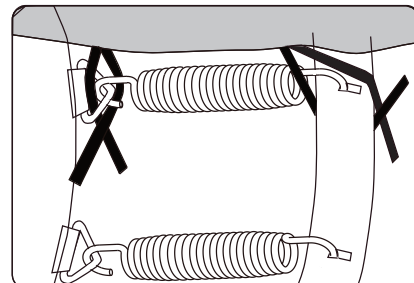
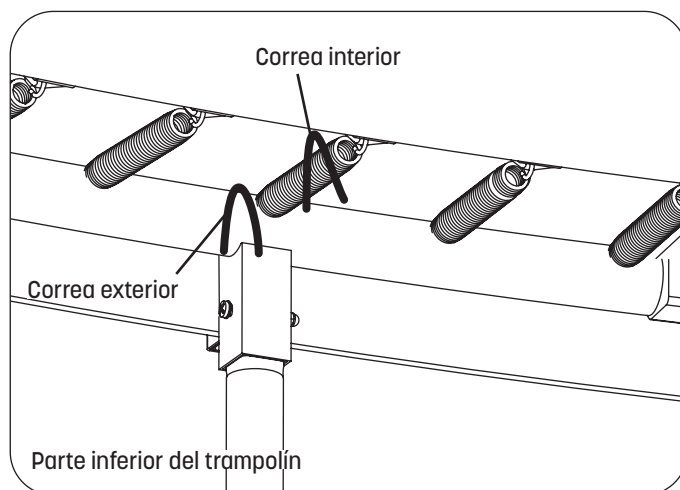
Estire las piezas de la almohadilla del armazón **(9)** sobre el armazón. Ajuste la almohadilla del armazón para que las **ranuras** queden justo **sobre los manguitos**.

Importante: No utilice el trampolín sin la almohadilla del armazón. ¡Está diseñado para proteger a los pequeños saltarines! Confíe en nuestro consejo.



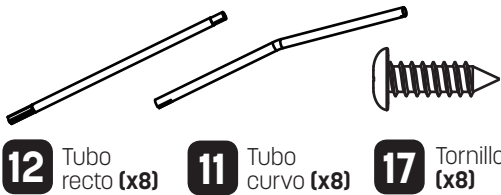
PASO 17

Mire debajo del trampolín. Ubique las correas que se colocaron en la parte inferior de la almohadilla del armazón **(12)**. Coloque cada **correa exterior** de modo tal que haya una correa **de cada lado del armazón**. Coloque las **correas interiores** de modo tal que pase una correa **a través de cada anillo en V**. Ahora ate lazos con todas las **correas**. (¡Porque si ata nudos, le costará mucho desatarlos nuevamente!) Asegure las esquinas de la almohadilla del armazón con las correas. **Enganche las correas a los anillos en V de cada esquina.**



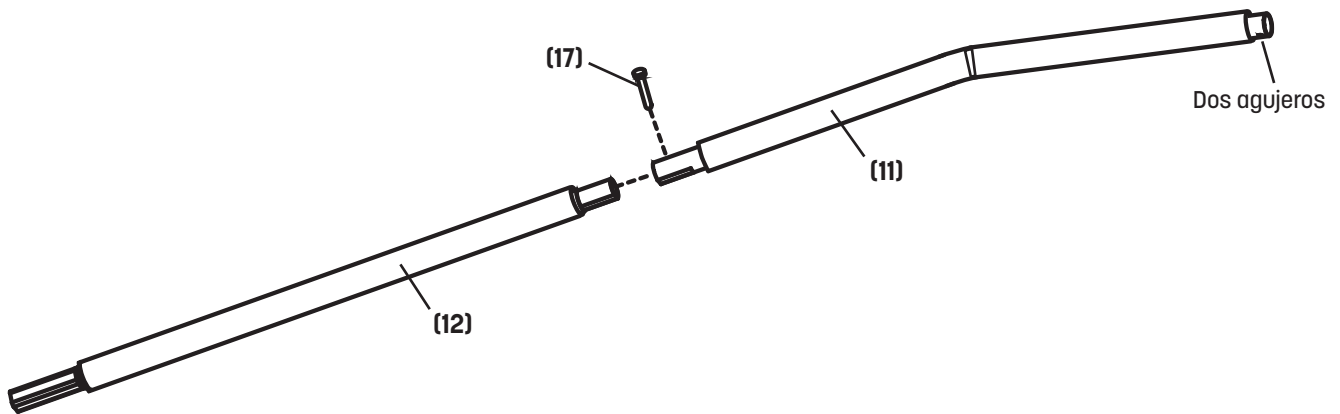
MONTAJE

PASO 18



Introduzca el tubo recto (12) en el tubo curvo (11) y asegúrelo con un tornillo autorroscante (17). **Importante: En el tubo curvo hay un extremo que tiene dos agujeros. ¡Asegúrese de que ese extremo esté en la parte superior!**

Repita este paso para fijar juntos los siete tubos rectos y curvos restantes.



16

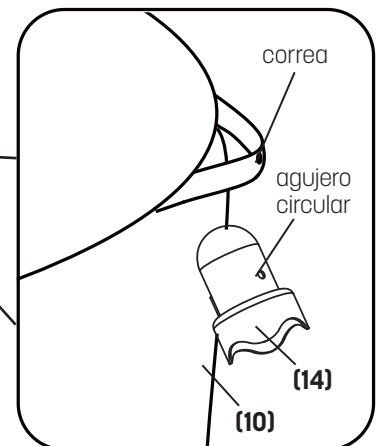
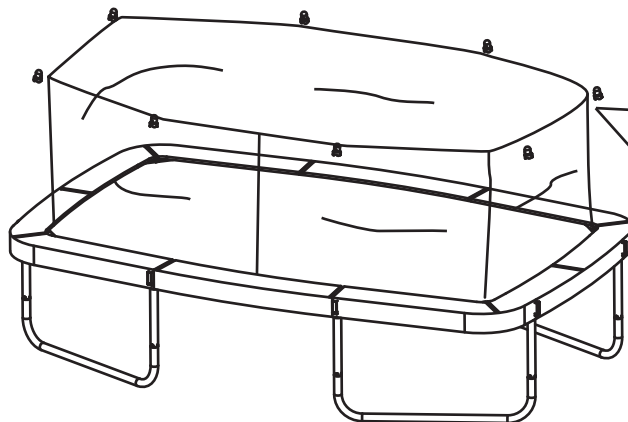
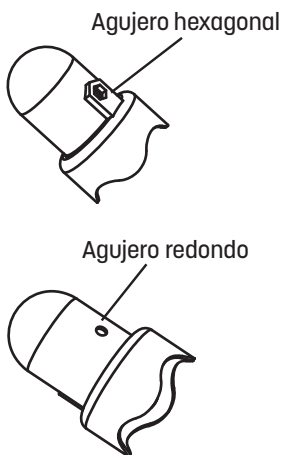
PASO 19



14 Tapa del poste (x8)

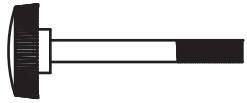
Importante: La tapa del poste (14) tiene dos lados; uno con un agujero hexagonal y otro con un agujero redondo.

Inserte la tapa del poste en un anillo con correa en la parte superior de la red del cerramiento. Asegúrese de que el **agujero hexagonal** se encuentre orientado **hacia la red** y de que el **agujero circular** se encuentre orientado **hacia usted**.



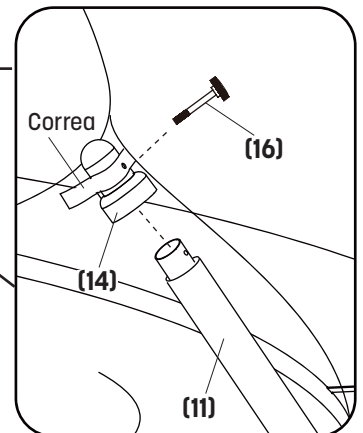
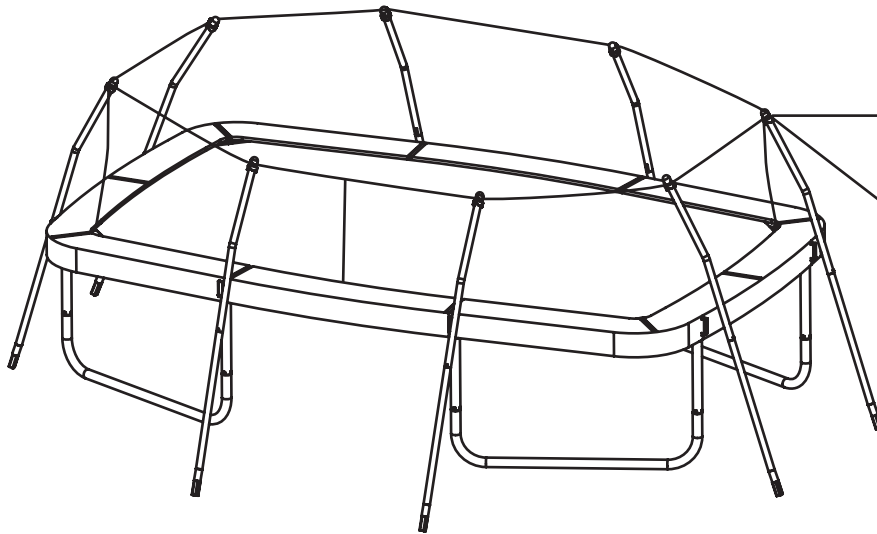
16

PASO 20



16 Perno M5 x 50 mm (x8)

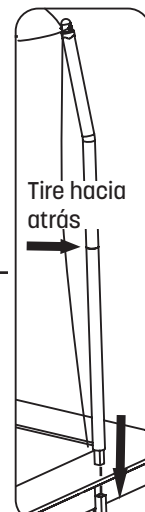
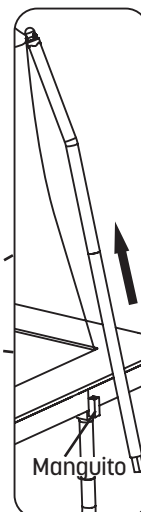
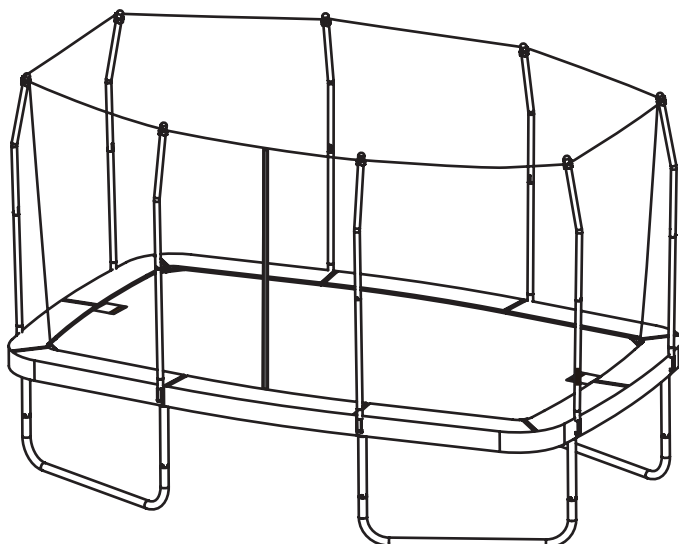
Luego coloque un tubo curvo **(11)** en la tapa del poste **(14)**. Asegúrese de que el lado doblado de los polos del cerramiento esté orientado hacia el centro del trampolín. Asegúrese de que los agujeros del tubo curvo, tapa del poste y anillo con correa estén todos alineados. Luego coloque un perno M5 x 50 mm **(16)** para asegurarlos en sus posiciones. **Importante: Asegúrese de colocar el perno en el agujero circular EN PRIMER LUGAR (no el hexagonal); de lo contrario, se puede romper la tapa del poste.**



PASO 21

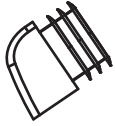
Comience con la puerta del cerramiento, levante uno de los postes montados e inserte el tubo recto **(13)** en el manguito. Repita este proceso para colocar los siete postes restantes.

Consejo útil: Cuando inserte los postes del cerramiento, tire de la parte central de los postes hacia atrás.



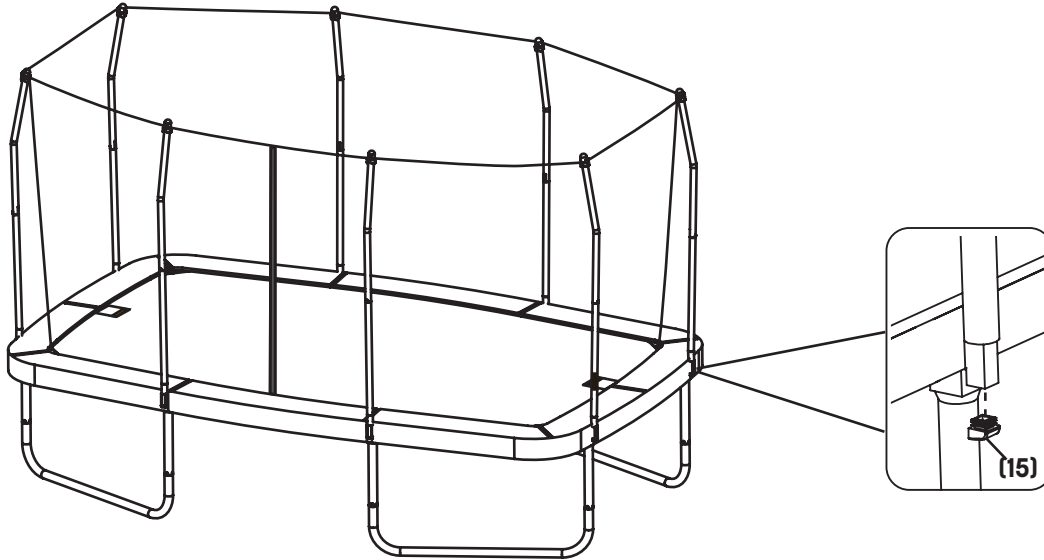
MONTAJE

PASO 22



15 Tapa del extremo (x8)

Introduzca las tapas de los extremos **(15)** en la parte inferior de los manguitos.

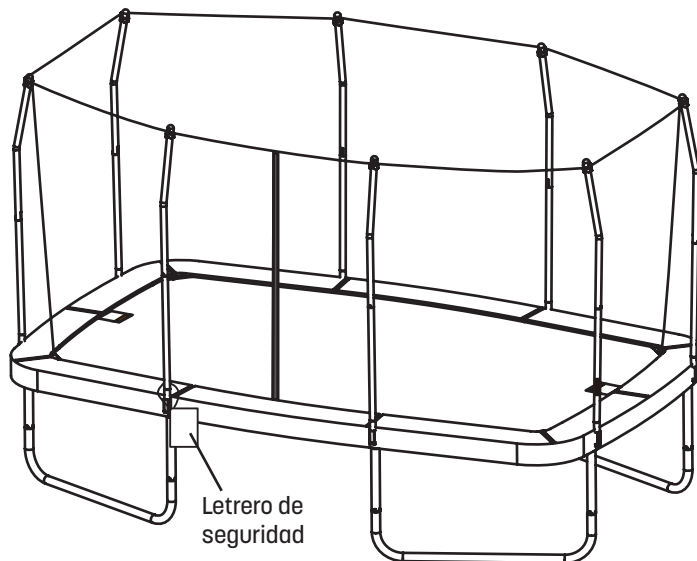


18

PASO 23

ÚLTIMO PASO: ¡LLEGÓ A LA RECTA FINAL!

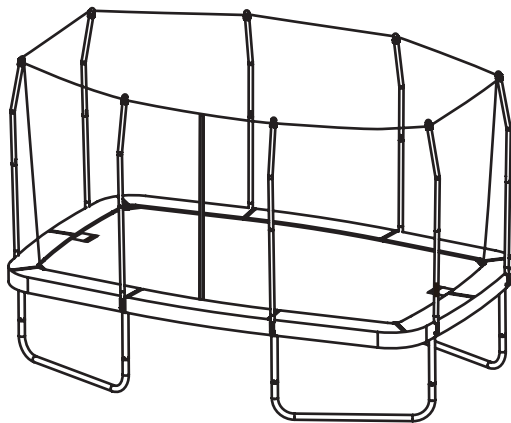
Usando el amarre de plástico incluido, coloque el letrero de seguridad en el armazón del trampolín, cerca de la puerta del cerramiento.



18

PASO 24

¡Felicidades! Terminó de armar su nuevo trampolín. (¿Vio?... ¡Sabíamos que podía lograrlo!) Entonces, aquí viene la verdadera pregunta... **¿está satisfecho con este producto armado?** Si la respuesta es "sí", **escriba una reseña** en el sitio web del vendedor al que se lo compró. Estaremos muy agradecidos, y si pudiésemos, le daríamos una estrella de oro. ¿Está completamente disconforme y desea que lo sepamos? ¡Comuníquese con nosotros directamente! Tenga la seguridad de que no es nuestra intención arruinarle la vida. Haremos todo lo posible para que esté a gusto nuevamente. Consulte la información de contacto en las páginas 2-3.



INFORMACIÓN DE MANTENIMIENTO Y CUIDADO

¡Felicitaciones!, ¡choque los cinco! Ha montado exitosamente su nuevo trampolín rectangular de 14" con cerramiento de Skywalker Trampolines. La mejor manera de conservar el estado de su trampolín es controlando lo siguiente de forma periódica:

- Pérdida, colocación inadecuada o fijación insegura de la almohadilla del armazón, red, tubos del cerramiento o mangas de gomaespuma.
- Pinchazos, hilachas, rasgaduras o agujeros en la lona, almohadilla del armazón, red o mangas de gomaespuma
- Deterioro en la costura o tela de la lona, almohadilla del armazón o red
- Resortes rotos o faltantes
- Armazón, pata o tubos del cerramiento doblados o rotos
- Cama o red hundidas
- Protuberancias cortantes en el armazón, sistema de suspensión o tubos del cerramiento

Si observa alguna de las condiciones anteriores, idesmonte el trampolín o la red de cerramiento hasta que solicite las piezas de reemplazo!

Trasladar el trampolín y el cerramiento

Si se debe mover el trampolín y el cerramiento, deben hacerlo dos personas, mantenerlos horizontales y elevarlos levemente. De ser necesario, puede desarmar el trampolín y el cerramiento para trasladarlos. Para desarmar el trampolín, siga los pasos de montaje en orden invertido. No intente desarmar las secciones del armazón, las patas o las bases antes de haber retirado la lona y los resortes.

¡No olvide visitarnos en la web! **¡Nos encantaría estar en contacto con usted!**

Sitio web: skywalkertrampolines.com

Facebook: facebook.com/skywalkertrampolines

YouTube: youtube.com/channel/UCUty7EqwIGouK5ovzGpHGw/feed

Pinterest: pinterest.com/swtrampolines

Twitter: twitter.com/swtrampolines?lang=en

Instagram: instagram.com/skywalker_trampolines/?hl=en

INSTRUCCIONES DE USO

Para reducir el riesgo de lesiones graves, lea y respete todas las advertencias, precauciones e instrucciones de este manual antes de usar el cerramiento del trampolín. Se incluyen advertencias e instrucciones de cuidado, mantenimiento y uso de este trampolín y cerramiento para promover el uso seguro y agradable de este equipo.

1. Es responsabilidad del propietario y de los supervisores del trampolín y del cerramiento asegurarse de que todos los usuarios sigan las instrucciones de seguridad detalladas en este manual. El trampolín debe utilizarse únicamente bajo supervisión de personas maduras e informadas.
2. Proteja el trampolín y el cerramiento del trampolín del uso no autorizado y sin supervisión. Si utiliza una escalera para subir y bajar del trampolín, asegúrese de quitarla cuando el trampolín y el cerramiento no se utilicen.
3. Asegúrese de que haya espacio suficiente por encima del trampolín y del cerramiento antes de usarlo. Lo ideal es contar con al menos 24 pies (7.3 metros) de espacio libre por encima del suelo. Este espacio debe estar libre de cables, ramas de árboles y otros posibles peligros.
4. La separación lateral es muy importante. No coloque el trampolín ni el cerramiento cerca de paredes, edificios, cercas, aceras y otras áreas de juego. Asegúrese de que el espacio circundante al trampolín y al cerramiento esté siempre despejado.
5. Retire cualquier objeto que pudiera interferir con el uso del equipo. Mantenga el área de los laterales y de la parte inferior del trampolín despejada.
6. Asegúrese de que el trampolín y el cerramiento estén sobre una superficie nivelada antes de usarlos.
7. Siempre realice una inspección del trampolín y del cerramiento antes de cada uso. Asegúrese de que el armazón, la almohadilla, la red, los tubos del cerramiento y las mangas de gomaespuma estén correctamente colocados. Reemplace cualquier pieza gastada, defectuosa o faltante. (Los usuarios podrían lastimarse si el trampolín y el cerramiento se utilizan cuando se encuentran en mal estado).
8. Salte únicamente cuando la superficie de la lona (cama) esté seca. No debe haber viento ni movimiento de aire, o estos deben ser escasos. El trampolín y el cerramiento no deben usarse con vientos racheados o fuertes.
9. Los armazones del trampolín y del cerramiento están hechos de metal. No están conectados a tierra y conducirán la electricidad. Por este motivo, existe un riesgo de electrocución. No se permiten luces, calentadores eléctricos, cables de prolongación o electrodomésticos en el trampolín ni en el cerramiento en ningún momento.
10. Use el trampolín y el cerramiento en una zona bien iluminada. Si el trampolín y el cerramiento están en interiores o en zonas con sombra, es probable que tenga que usar iluminación artificial (eléctrica) en la zona.
11. Durante los meses de invierno, deberá quitar los materiales blandos del trampolín y guardarlos en un lugar seco. Si no los quita en los meses de invierno, el frío puede causar daños en los resortes, la lona de salto, la almohadilla y el cerramiento. La garantía se anulará.
12. Este trampolín y cerramiento están fabricados para usuarios que pesen menos de 200 libras.
13. Los trampolines de más de 20 pulgadas (51 cm) de alto no se recomiendan para niños menores de 6 años de edad.
14. El cerramiento del trampolín debe usarse solo con el tamaño de trampolín para el cual está diseñado.
15. El uso incorrecto y el maltrato del cerramiento del trampolín son peligrosos y pueden causar lesiones graves.
16. No coloque nada en la barrera del cerramiento, a menos que sea un accesorio aprobado por el fabricante o una pieza del sistema de cerramiento.
17. Qítense las joyas antes de comenzar a saltar. Las joyas pueden quedar enganchadas en la red del cerramiento.
18. Use ropa sin cordones, ganchos, lazos o cualquier cosa que pudiera quedar enganchada mientras usa el trampolín/cerramiento, y que pudiera dar lugar a enredos y estrangulamiento o a ambas cosas.
19. NO deje a más de una persona dentro del cerramiento del trampolín al mismo tiempo. Dos o más personas saltando al mismo tiempo pueden ocasionarse heridas graves.
20. NO salte en el trampolín mientras sostiene objetos, especialmente si se trata de algo cortante o frágil.
21. NO utilice el trampolín ni el cerramiento si ha consumido alcohol o drogas.
22. NO intente realizar ni permita que otros realicen volteretas (saltos mortales) en el trampolín. Si aterriza con la cabeza o el cuello, podría lesionarse gravemente, quedar paralizado o morir, incluso si lo hace en el medio de la lona de salto.
23. Suba y bájese siempre del trampolín. Es muy peligroso intentar bajarse del trampolín saltando desde el trampolín hasta el suelo o el piso, o saltar al trampolín para subirse a este.
24. No use el trampolín para rebotar hacia otros objetos. Entre y salga del cerramiento solo por la puerta o barrera del cerramiento diseñada para ese propósito.
25. NO intente arrastrarse por debajo, saltar, rebotar, colgarse, treparse, patear o cortar la red de la barrera intencionalmente.
26. Con la cabeza derecha, enfoque los ojos en el trampolín hacia el perímetro. Esto lo ayudará a controlar el rebote.
27. Para dejar de rebotar, flexione las rodillas en cuanto sus pies entren en contacto con la cama del trampolín. Aprenda esta habilidad antes de intentar otras.
28. Evite rebotar demasiado alto. Permanezca a una altura baja hasta lograr el control del rebote y hasta que logre aterrizar varias veces en el centro del trampolín. El control es más importante que la altura.
29. Evite rebotar cuando esté cansado. Úselo poco tiempo.
30. Aprenda cuidadosamente los rebotes y las posiciones corporales básicos antes de intentar habilidades más avanzadas. Puede realizar una variedad de actividades en el trampolín que combinen los puntos básicos de varias formas, y que realicen un punto básico tras otro, con rebotes de pies entre ellos.
31. Para obtener más información sobre el equipo del trampolín, comuníquese con el fabricante. Para obtener información sobre el aprendizaje de habilidades, comuníquese con un instructor de trampolín certificado.
32. No use el trampolín ni se pare cerca de él cuando esté ventoso. El trampolín puede volar si hay viento constante o vientos fuertes. Esto puede provocar lesiones graves, parálisis o la muerte, así como daños en la propiedad. Para reducir estos riesgos, desmonte el trampolín y el cerramiento, y guárdelos hasta que mejoren las condiciones climáticas. Si fija el armazón del trampolín, puede evitar que este último se mueva por el viento, pero incluso los trampolines anclados pueden volarse o dañarse. Consulte con un contratista calificado para determinar qué tipo de anclado funciona mejor en su ubicación.

POSICIÓN DE LA ETIQUETA DE ADVERTENCIA

ADVERTENCIA

No aterrice con la cabeza ni el cuello. No intente realizar ni permita que otros realicen volteretas. Si aterrizo con la cabeza o el cuello, podría lesionarse gravemente, quedar paralizado o morir, incluso si lo hace en el medio de la lona. Use el trampolín únicamente bajo la supervisión de personas maduras e informadas.

Para el supervisor:
Antes de usar el trampolín, lea las instrucciones. Aplique todas las reglas de seguridad y familiarícese con la información que se encuentra en el Manual del usuario para ayudar a los nuevos usuarios a aprender los saltos básicos y a todos los usuarios a respetar la seguridad del trampolín.

Todos los usuarios del trampolín deben estar bajo supervisión de personas maduras e informadas, independientemente de su habilidad o edad.

Este trampolín no se recomienda para niños menores de 6 años de edad.

Inspeccione el trampolín antes de usarlo. Mantenga la almohadilla del arnés en su lugar. Una lona (cama), un resorte o una pieza de arnés desgastados o dañados deben reemplazarse inmediatamente.

Mantenga alejados los objetos que puedan interferir con el usuario.

Proteja el trampolín contra el uso no autorizado y sin supervisión.

No use el trampolín cuando esté mojado ni cuando haya viento.

Para el usuario:
No use el trampolín si está bajo la influencia de drogas o alcohol.

Evite rebotar cuando esté cansado.

Saltar:
Aprenda muy bien las posiciones corporales y los saltos básicos antes de probar trucos más difíciles. Estudie el manual del usuario para aprender a realizar los saltos básicos.

Para dejar de rebotar, flexione las rodillas en cuanto sus pies entren en contacto con la lona (cama) del trampolín.

Evite saltar demasiado alto o durante demasiado tiempo. Controle siempre su salto. Un salto controlado es cuando el lugar de salto y el lugar de aterrizaje son el mismo.

Rebote en el centro del trampolín. Enfoque los ojos en el trampolín hacia la lona del perímetro. Si no lo hace, puede perder el equilibrio y el control.

Túrnese para saltar de a uno por vez y siempre pídale a alguien que lo mire.

Subirse y bajarse:
Suba y bájese del trampolín. No salte para subirse ni para bajarse. No use el trampolín para rebotar hacia otros objetos.

Para obtener más información acerca del equipo, comuníquese con Skywalker. Para obtener información acerca de la formación de habilidades, comuníquese con una organización de instrucción certificada.

PEGUE AL TRAMPOLÍN

ADVERTENCIA

No aterrice con la cabeza ni el cuello. No intente realizar ni permita que otros realicen volteretas. Si aterrizo con la cabeza o el cuello, podría lesionarse gravemente, quedar paralizado o morir, incluso si lo hace en el medio de la lona. Use el trampolín únicamente bajo la supervisión de personas maduras e informadas.

Solo una persona por vez en el trampolín. Si más de una persona lo usa al mismo tiempo, las probabilidades de que alguien se lesione aumentarán.

Use el trampolín únicamente bajo la supervisión de personas maduras e informadas. Este trampolín no se recomienda para niños menores de 6 años de edad.

ADVERTENCIA

No intente realizar ni permita que otros realicen volteretas. (Saltos mortales).

No aterrice con la cabeza ni el cuello. Si aterrizo con la cabeza o el cuello, podría lesionarse gravemente, quedar paralizado o morir, incluso si lo hace en el medio de la lona.

Use el trampolín únicamente bajo la supervisión de personas maduras e informadas.

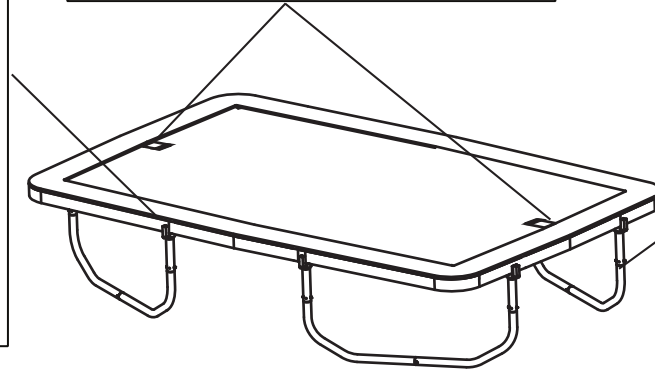
No deje que más de una persona suba al trampolín. Si muchos usuarios saltan, las probabilidades de que pierdan el control, se choquen o se caigan aumentarán. Esto puede resultar en cabeza, cuello, espalda o piernas rotas.

Use el trampolín únicamente bajo la supervisión de personas maduras e informadas.

Este trampolín no se recomienda para niños menores de 6 años de edad.

Lea todas las instrucciones antes de usar este trampolín.

Inspeccione antes de usar y reemplace las piezas desgastadas, defectuosas o faltantes.



ADVERTENCIA

No aterrice con la cabeza ni el cuello. Si lo hace, podría quedar paralizado o morir, incluso si aterrizo en el medio de la lona (cama) del trampolín. No realice volteretas (saltos mortales). Use el cerramiento del trampolín únicamente bajo la supervisión de personas maduras e informadas. Aplique todas las reglas de seguridad y familiarícese con la información que se encuentra en el Manual del usuario para ayudar a los usuarios a respetar las instrucciones del cerramiento y la seguridad del trampolín.

Para el supervisor:
Use el cerramiento del trampolín únicamente bajo la supervisión de personas maduras e informadas. Aplique todas las reglas de seguridad y familiarícese con la información que se encuentra en el Manual del usuario para ayudar a los usuarios a respetar las instrucciones del cerramiento del trampolín y la seguridad del trampolín.

Este sistema de cerramiento del trampolín no se recomienda para niños menores de 6 años de edad.

No exceda el límite de peso recomendado por el fabricante.

Utilice solo cuando la lona (cama) del trampolín esté limpia y seca. Inspeccione el trampolín y el cerramiento antes de cada uso, y reemplace las piezas desgastadas o dañadas.

Utilice solo cuando la barrera del cerramiento no tenga agujeros, cuando los abrazaderas del poste estén sujetas firmemente al poste, y cuando el soporte (armazón) y la barrera estén suspendidos de forma adecuada.

Para el usuario:
No use el trampolín si está bajo la influencia de drogas o alcohol.

Saltar:
Evite saltar demasiado alto y durante demasiado tiempo. Controle siempre su salto. No intente saltar por encima de la barrera.

No rebote intencionalmente fuera de la barrera. No patee, corte ni trepe la barrera, ni se cuelgue de ella.

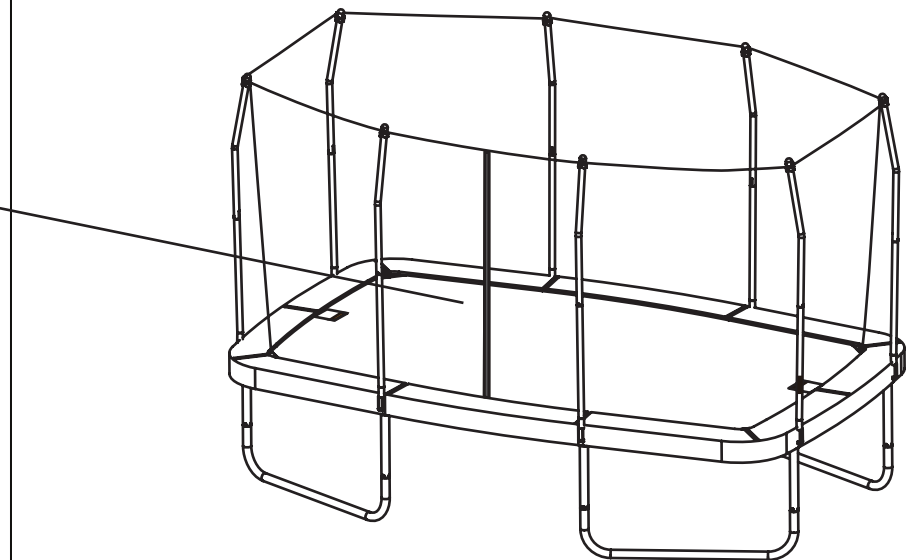
Use ropa sin cordones, ganchos, lazos o cualquier cosa que pudiera quedar enganchada mientras usa el trampolín/ cerramiento y pudiera resultar en enredos o estrangulamiento, o ambos cosas.

Subirse y bajarse:
Trepas y baje del trampolín desde la puerta del cerramiento o desde la entrada de la barrera. No salte para subirse ni para bajarse. No se arastre por debajo de la barrera. No use el trampolín para rebotar hacia otros objetos.

No salte desde otros objetos, edificios o superficies hacia el trampolín, o dentro o sobre el cerramiento del trampolín.

Para obtener más información acerca del equipo, comuníquese con Skywalker Trampolines. Para obtener información acerca de la formación de habilidades, comuníquese con una organización de instrucción certificada.

COLOCAR EN LA RED DE LA PUERTA



El letrero que se muestra anteriormente se cosió a la red del cerramiento del trampolín.

Nota: Las etiquetas y el letrero que se muestran no están representados en su tamaño real.

Las etiquetas que se muestran en esta página se han colocado en el trampolín en los lugares indicados. El propietario deberá colocar el letrero con las instrucciones de seguridad. Si alguna de las etiquetas o el letrero faltan o son ilegibles, llame a nuestra línea directa gratuita de Atención al Cliente al 1-866-603-JUMP (5867), de lunes a viernes, de 8 a. m. a 5 p. m., hora de la montaña, para pedir una etiqueta o un letrero de reemplazo.

INSTRUCCIONES Y LECCIONES MODELO

Las siguientes lecciones son ejemplos de un programa instructivo. Deberían seguir un debate y una demostración completos de la mecánica del cuerpo entre la/s persona/s que supervisa/n y el/los estudiante/s.

1. Montaje y desmontaje: Demostración y práctica de técnicas correctas.
2. Principios básicos del rebote: Demostración y práctica.
3. Frenado: Demostración y práctica. Frenar tras recibir la indicación.
4. Caída de manos y de rodillas: Demostración y práctica, refuerzo del aterrizaje y la alineación de cuatro puntos.

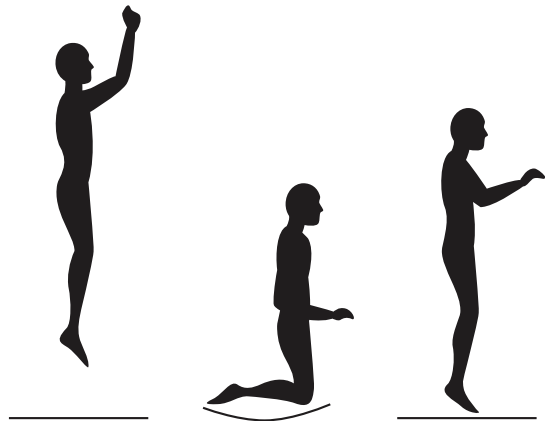
Lección 1: principios básicos del rebote

1. Comience parado con la cabeza erguida y los ojos en dirección a la almohadilla del armazón.
2. Balancee los brazos hacia adelante y hacia arriba en un movimiento circular.
3. Junte los pies y apunte hacia abajo con los dedos de los pies mientras está en el aire.
4. Mantenga los pies separados, aproximadamente 15 pulgadas, cuando vaya a aterrizar en la lona.



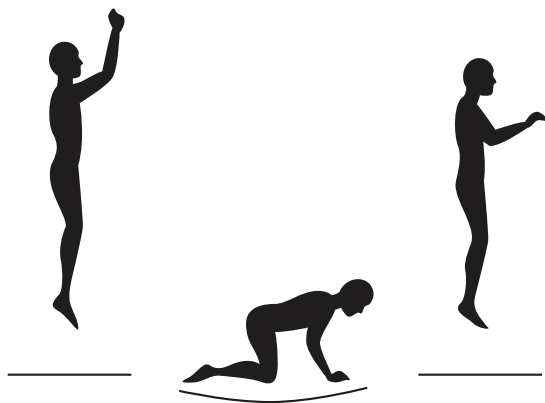
Lección 2: caída de rodillas

1. Comience a rebotar mientras está parado, mantenga la mirada en la almohadilla del armazón.
2. Aterrice sobre sus rodillas, y mantenga la espalda y el cuerpo erguidos.
3. Párese nuevamente.



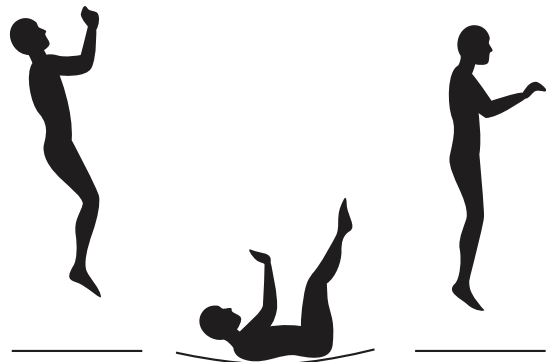
Lección 3: caída de manos y de rodillas

1. Comience a rebotar mientras está parado, mantenga la mirada en la almohadilla del armazón.
2. Aterrice sobre la lona con las manos y rodillas.
3. Empújese con las manos y párese.



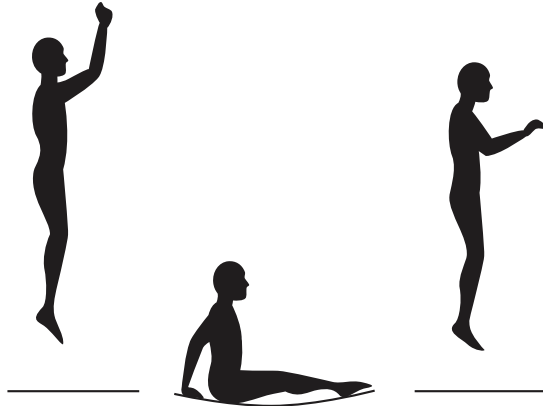
Lección 4: Caída de espaldas

1. Comience con un rebote bajo y aterrice de espalda.
2. Incline el mentón hacia su pecho mientras aterrizas.
3. Patee hacia adelante y empújese con las piernas para volverse a parar.



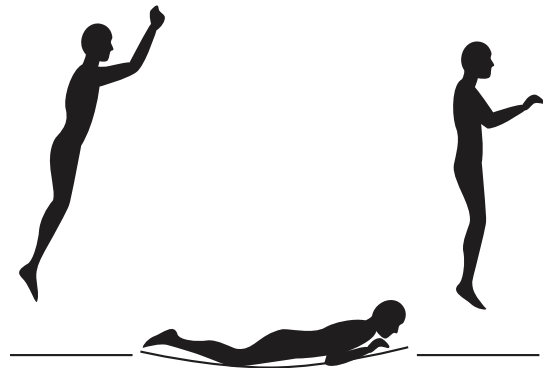
Lección 5: caída sentado

1. Aterrice sentado con las piernas paralelas a la lona.
2. Coloque las manos sobre la lona al lado de su cadera.
3. Empújese con las manos para volver a pararse.



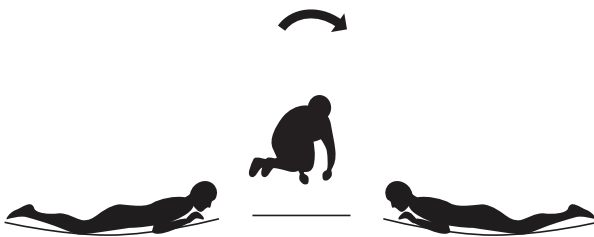
Lección 6: caída de frente

1. Comience con un rebote bajo y aterrice en la lona boca abajo.
2. Mantenga la cabeza erguida y los brazos extendidos hacia la lona.
3. Empújese con los brazos para volver a pararse.



Lección 7: media vuelta

1. Comience con la posición de caída de frente y empújese hacia la izquierda o la derecha con los brazos para empezar a girar su cuerpo en la dirección opuesta.
2. Gire la cabeza y los hombros en la misma dirección que su cuerpo.
3. Mantenga la espalda paralela a la lona y la cabeza erguida.
Después de completar la media vuelta, aterrice de frente.



Lección 8: caderas giratorias

1. Comience con una caída en posición sentada.
3. Gire la cabeza hacia la izquierda o la derecha y balancee los brazos hacia arriba en la misma dirección.
4. Gire las caderas en la misma dirección que la cabeza y los brazos, de manera que complete un giro.
5. Aterrice en posición sentada.
4. Mantenga la espalda paralela a la lona y la cabeza erguida.
5. Después de completar la media vuelta, aterrice de frente.



Una vez que aprende cada una de las lecciones, se debe estimular al aprendiz a que diseñe y organice rutinas, haciendo énfasis en la buena forma. El instructor puede juzgar o calificar a los estudiantes y organizar grupos para profundizar la instrucción de acuerdo a la capacitación de cada estudiante.

Para estimular el interés en la competencia, puede presentar el juego "Trampolin Horse". Antes de que comience el juego, los estudiantes deben enumerarse. Para comenzar el juego, el estudiante número 1 debe realizar una acrobacia. Luego el estudiante número 2 se sube al trampolín, realiza la misma acrobacia y agrega una segunda acrobacia. El estudiante número 3 se sube al trampolín, realiza las acrobacias 1 y 2, y agrega una tercera acrobacia. De este modo, la serie de acrobacias se extiende continuamente. La primera persona que se olvide de realizar una de las acrobacias de la serie recibe la letra "H" y comienza una nueva serie con una acrobacia. Si alguien pierde de nuevo, se le otorgará la letra "O". Si alguien completa la palabra "H-O-R-S-E" (caballo), será eliminado del juego. El último concursante que permanezca en el juego será el ganador. La planificación de las lecciones a partir de este punto debe facilitarse a través del contacto con un instructor de trampolín certificado.

INFORMACIÓN DE SEGURIDAD SOBRE EL TRAMPOLÍN

Con el uso del trampolín, como en todos los deportes recreativos activos, los participantes pueden lesionarse. Sin embargo, pueden tomarse medidas para reducir el riesgo de lesión. En esta sección, se identifican los principales patrones de accidentes y se detallan las responsabilidades de los supervisores y de los usuarios relativas a la prevención de accidentes.

CLASIFICACIÓN DE ACCIDENTES

Volteretas (saltos mortales): Aterrizar con la cabeza o el cuello, incluso en medio de la lona del trampolín, aumenta el riesgo de que se quiebre la espalda o el cuello, lo cual puede causar parálisis o la muerte. Este tipo de eventos puede ocurrir cuando un usuario comete un error al tratar de realizar una voltereta (salto mortal) hacia adelante o hacia atrás. No realice volteretas (saltos mortales) en este trampolín para patio.

Varios usuarios: Si hay más de una persona a la vez en el trampolín, aumenta la posibilidad de que un usuario se lesione al perder el control de su salto. Los usuarios pueden chocar entre sí, caerse del trampolín, caer sobre o a través de los resortes, o aterrizar incorrectamente en la lona. El usuario de menor peso es el más propenso a resultar herido.

Subirse y bajarse del trampolín: la lona del trampolín está a varios pies sobre el nivel del suelo. Saltar del trampolín al suelo o a cualquier otra superficie puede resultar en lesiones. Saltar al trampolín desde una azotea, plataforma u otro objeto también presenta un riesgo de lesión. Los niños más pequeños quizá necesiten ayuda para subirse o bajarse del trampolín. Suba y baje siempre cuidadosamente del trampolín. No pise los resortes ni la almohadilla del armazón. No se agarre de la almohadilla del armazón para trepar al trampolín.

Golpear el armazón o los resortes: Puede lesionarse como resultado de golpear el armazón o caer a través de los resortes mientras salta, o se sube o baja del trampolín. Permanezca en el centro de la lona cuando salte. Asegúrese de mantener la almohadilla del armazón en su lugar para cubrir el armazón. La almohadilla del armazón no está fabricada para soportar el peso del usuario del trampolín. No se pare ni salte directamente sobre la almohadilla del armazón.

Pérdida del control: los usuarios que pierden control de sus saltos pueden aterrizar incorrectamente en la lona, en el armazón o en los resortes, o caer fuera del trampolín. Un salto controlado es cuando se aterriza en el mismo lugar del que se saltó. Antes de aprender un truco más difícil, debe poder realizar un truco una y otra vez de forma controlada. Intentar realizar un truco sin contar con los niveles de habilidades requeridos aumenta la probabilidad de perder el control. Para recuperar el control y detener el salto, flexione las rodillas de forma pronunciada al aterrizar.

Consumo de alcohol o drogas: La posibilidad de lesión aumenta cuando un usuario ha consumido alcohol o drogas. Estas sustancias afectan el tiempo de reacción, el juicio y la coordinación física de una persona.

Toparse con objetos: saltar en un trampolín mientras otras personas, mascotas u objetos están debajo de este aumentará la posibilidad de que alguien resulte herido. Saltar en el trampolín mientras sostiene un objeto, especialmente uno que sea cortante o frágil, aumentará la probabilidad de lesiones. Colocar un trampolín demasiado cerca de cables eléctricos, ramas de árboles u otros objetos puede aumentar la probabilidad de lesiones.

Mal mantenimiento del trampolín: Los usuarios pueden resultar heridos si se utiliza un trampolín en mal estado. Las lonas rasgadas, los armazones doblados, los resortes rotos o las almohadillas del armazón perdidas, por ejemplo, se deben reemplazar antes de permitir que una persona salte. Inspeccione el trampolín antes de cada uso.

Condiciones climáticas: un trampolín mojado es demasiado resbaloso para saltar de forma segura. Los vientos racheados o fuertes pueden hacer que los usuarios pierdan el control. Para reducir la posibilidad de lesión, use el trampolín solo cuando el clima sea adecuado.

Acceso: para evitar el acceso al trampolín de los niños más pequeños sin supervisión, debe quitar siempre la escalera opcional de acceso y guardarla en un lugar seguro cuando no utilice el trampolín.

INFORMACIÓN DE SEGURIDAD SOBRE EL CERRAMIENTO

NECESIDADES DE SEGURIDAD PARA EL CERRAMIENTO DEL TRAMPOLÍN

El cerramiento de un trampolín es un producto de recreación. La información de esta página identifica las precauciones de seguridad importantes. Las precauciones no incluyen todas las posibilidades, dado que un cerramiento puede utilizarse de maneras que este manual podría no cubrir en su totalidad.

Para evitar los pellizcos y los cortes durante el uso del cerramiento, el trampolín debe contar con una almohadilla en el armazón (consulte las instrucciones del fabricante del trampolín). La almohadilla del armazón debe colocarse sobre el trampolín antes de montar el cerramiento. La almohadilla del armazón reduce las posibilidades de lesiones por contactos accidentales con los resortes o el armazón.

USO SEGURO DEL CERRAMIENTO

Supervisión de los niños por parte de adultos

Los niños que utilicen el trampolín con un cerramiento deben ser supervisados por un adulto. Los niños más pequeños deben ser supervisados en todo momento. Los adultos deben prestar especial atención a:

- Las cosas que los niños llevan al cerramiento.
- Las actividades de los niños dentro del cerramiento.
- Las condiciones dentro del cerramiento mientras los niños lo están usando.
- La forma en que los niños entran y salen del cerramiento.

A continuación, se detalla más información sobre el uso seguro del cerramiento:

Riesgo de electrocución asociado con el armazón de metal del trampolín y del cerramiento

Los armazones del trampolín y del cerramiento están hechos de acero galvanizado. No están conectados a tierra y conducirán la electricidad. Por este motivo, existe un riesgo de electrocución. No se permiten luces, calentadores eléctricos, cables de prolongación o electrodomésticos en el trampolín ni en el cerramiento en ningún momento.

Peligros asociados con la entrada y salida del cerramiento del trampolín

El cerramiento instalado en un trampolín está elevado del suelo. La altura del cerramiento aumenta el riesgo de una caída cuando un usuario entra o sale del cerramiento. Es posible que a los niños pequeños, sobre todo, les cueste entrar y salir del cerramiento. Para reducir el riesgo de caídas, ayude siempre a los niños pequeños a entrar y salir del cerramiento.

Entre y salga del cerramiento del trampolín solamente por medio de la puerta del cerramiento (la abertura en las paredes de la red). La lona del trampolín (cama) y las paredes de la red del cerramiento son piezas separadas. Ningún usuario, especialmente los niños pequeños, debe salir del cerramiento y quedarse entre la lona y las paredes de la red. Intentar salir de esta forma genera un riesgo de asfixia por quedar atrapado entre el armazón del trampolín y las paredes de la red.

La oscuridad aumenta el riesgo de una caída cuando un usuario entra o sale del cerramiento. No utilice el trampolín a menos que haya una iluminación adecuada.

Peligros asociados con animales u objetos cortantes o frágiles

Para evitar que el cerramiento y el trampolín se dañen, no deje entrar mascotas u otros animales dentro del cerramiento. Las garras y los dientes de los animales pueden dañar la red. No salte en el trampolín mientras sostiene o usa un objeto cortante o frágil.

MÉTODOS PARA EVITAR ACCIDENTES

LA FUNCIÓN DEL SUPERVISOR EN LA PREVENCIÓN DE ACCIDENTES

Los supervisores de los usuarios del trampolín tienen la responsabilidad de proporcionar supervisión informada y madura. Deben conocer y hacer cumplir todas las reglas y advertencias impresas en este manual para minimizar la probabilidad de accidentes y lesiones. También deben informarles estas reglas a los usuarios. Durante períodos de tiempo en los que la supervisión no esté disponible o no sea la adecuada, el trampolín debe desarmarse, colocarse en un área segura o protegerse del uso no autorizado. Otra opción que se debe considerar es cubrir el trampolín con una lona pesada que pueda asegurarse con candados y cadenas. El supervisor tiene la responsabilidad de asegurarse de que el letrero con las instrucciones de seguridad del trampolín permanezca en el trampolín y de que los usuarios estén informados acerca de estas instrucciones.

LA FUNCIÓN DEL USUARIO EN LA PREVENCIÓN DE ACCIDENTES

Es obligatorio educar al usuario para su seguridad. Los usuarios deben primero aprender un rebote bajo y controlado, y luego aprender las posiciones y combinaciones básicas de aterrizaje antes de pasar a las habilidades intermedias. Los usuarios deben entender por qué deben lograr "controlar" sus movimientos antes de poder comenzar a pensar en otros movimientos. Entender la progresión adecuada de las habilidades de saltar en un trampolín debe ser la primera lección. Revise este manual para conocer las técnicas básicas de uso del trampolín. Siga las reglas del letrero con las instrucciones de seguridad del trampolín (consulte el paso [26] de las instrucciones de montaje). Para obtener información adicional u otros materiales instructivos, comuníquese con un instructor de trampolín certificado.

INSTRUCCIONES DE SEGURIDAD DEL TRAMPOLÍN

Para el supervisor

Antes de usar el trampolín, lea las instrucciones. Aplique todas las reglas de seguridad. Familiarícese con la información de este manual para poder ayudar a los nuevos usuarios a aprender los saltos básicos y a todos los usuarios a respetar la seguridad del trampolín. Todos los usuarios del trampolín deben tener una supervisión madura e informada, independientemente de su habilidad o edad. Este trampolín no se recomienda para niños menores de 6 años de edad. Inspeccione el trampolín antes de usarlo. No utilice el trampolín sin la almohadilla del armazón firmemente colocada para cubrir el armazón. No utilice el trampolín mojado o cuando esté ventoso. Las lonas, los resortes o las piezas del armazón desgastados o dañados deben reemplazarse de inmediato.

Saltar

Aprenda cuidadosamente los saltos y las posiciones corporales básicos antes de intentar habilidades más avanzadas. Conozca sus propios límites a la hora de realizar cada uno de los saltos en el trampolín. Estudie este manual para aprender a realizar los saltos básicos. Para dejar de rebotar, flexione las rodillas en cuanto sus pies entren en contacto con la lona del trampolín. Aprenda esta habilidad antes de intentar otras.

PELIGROS ASOCIADOS CON LOS VIENTOS FUERTES

Los vientos fuertes pueden desplazar o volar un trampolín con un cerramiento. Si esto sucede, cualquiera que se encuentre en su camino, o en el interior del cerramiento, puede resultar lesionado. Si se esperan vientos fuertes, desarme la red del cerramiento y sujete el armazón del trampolín al suelo o lleve el trampolín y el cerramiento a un lugar protegido. El único método seguro para proteger su trampolín y el entorno circundante durante los vientos fuertes es desmontar la unidad por completo y guardarla bajo techo. La garantía no cubre los daños ocasionados por el viento o por el clima.

GARANTÍA LIMITADA

Skywalker Holdings, LLC garantiza que sus productos no tendrán materiales ni mano de obra defectuosos en condiciones de uso y servicio normales. **El armazón de acero tiene una garantía de tres (3) años a partir de la fecha de compra. Las demás piezas tienen una garantía de un (1) año a partir de la fecha de compra.** La cobertura de la garantía se extiende solo al comprador minorista original a partir de la fecha de compra. Esta garantía solo será válida en relación con productos de uso residencial. Los productos de uso comercial, por ejemplo, aquellos utilizados en escuelas y guarderías, no serán cubiertos.

¿QUÉ CASOS NO ESTARÁN CUBIERTOS?



Daño climático: La garantía no cubre daños por efectos o actos de la naturaleza, como terremotos, vientos, huracanes, tornados, relámpagos, lluvias, incendios, nieve, calor o frío excesivo o daño causado por el sol. Durante los meses de invierno, deberá quitar los materiales blandos del trampolín y guardarlos en un lugar seco, lejos de la nieve. Si el trampolín está desprotegido durante los meses de invierno, algunos componentes tales como los resortes, la lona de salto, la almohadilla y el cerramiento, se pueden ver afectados, lo cual anulará la garantía.



Decoloración y óxido: Nuestros productos están totalmente galvanizados. Skywalker no ofrece garantía contra el óxido o la corrosión. Es posible que algunas regiones tengan mayor contenido salino, mayor humedad, o lluvias y nieve más fuertes. Skywalker no ofrece garantía por la decoloración. Les aconsejamos a los clientes que utilicen un protector de rayos UV en la almohadilla del armazón para extender la duración del producto.



Pérdida o daños del producto debido a lo siguiente: Las pérdidas o los daños causados durante el envío, o por el abuso, uso incorrecto, inadecuado o anormal, o por la reparación no autorizada, no estarán cubiertos por esta garantía, e incluso, podrían anularla.



Piezas de repuesto no autorizadas: La garantía quedará anulada si se producen defectos o daños relacionados con el uso de piezas de repuesto no autorizadas. Todas las piezas de repuesto deben ser provistas por un agente autorizado.



Servicio de montaje: La garantía no cubre actos u omisiones por parte de un servicio de montaje externo. Es responsabilidad del cliente revisar todas las cajas y comprobar que todos los componentes estén incluidos y en el estado adecuado, antes de realizar la instalación.

INSPECCIÓN Y PIEZAS DE REPUESTO:

1. Su trampolín DEBE SER INSPECCIONADO AL ABRIR EL EMBALAJE Y MONTARLO, Y POSTERIORMENTE DE FORMA PERIÓDICA. LAS PARTES DAÑADAS, ROTAS O DESGASTADAS DEBERÁN SER REEMPLAZADAS DE INMEDIATO, ANTES DE SER USADAS.
2. Llame al Departamento de Atención al Cliente de Skywalker Trampoline al 1-866-603-5867, para realizar una reclamación de garantía. Esté preparado para proporcionar la siguiente información: nombre, dirección de envío, una copia de su factura de compra original, una descripción breve del problema y su causa, y los números de modelo y de serie del trampolín. También es posible que le pidamos fotografías de las piezas dañadas/defectuosas.
3. Luego de revisar su información y de examinar las fotografías, Skywalker Trampolines decidirá si la garantía cubrirá la pieza o no. Si la cubre, se le enviará una pieza de repuesto.

NOTA: Toda la información solicitada deberá ser provista para que podamos revisar su reclamación de garantía.

Para solicitar piezas de repuesto para su producto, visite www.skywalkertrampolines.com

Skywalker Holdings, LLC, PO Box 574, Brigham City, UT 84302 EE. UU.

Impreso en China © 2017 Skywalker Holdings, LLC

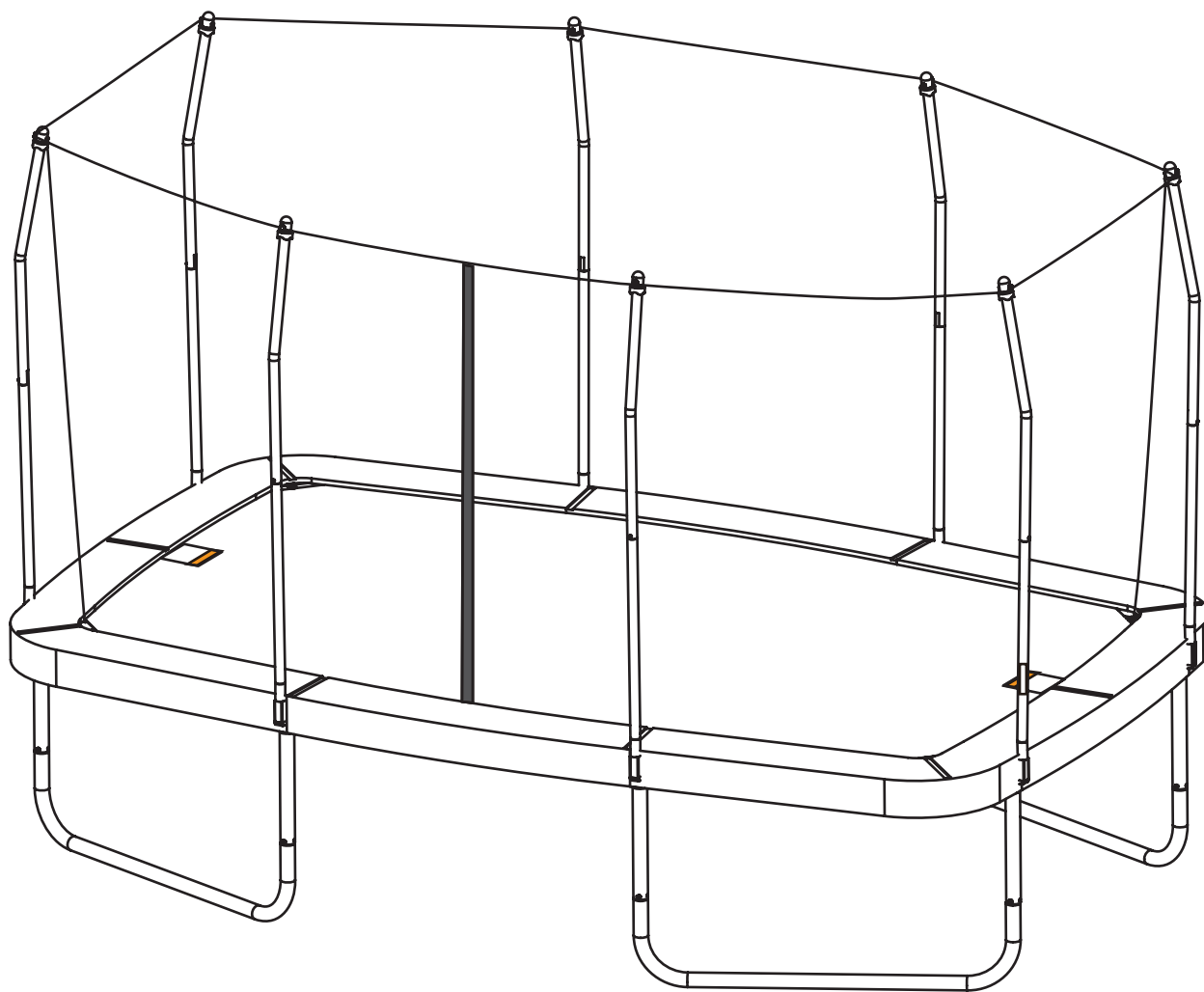
NOTA: SKYWALKER HOLDINGS, LLC NO ES RESPONSABLE DE LOS DAÑOS INDIRECTOS, ESPECIALES O CONSECUENTES QUE SURJAN EN RELACIÓN CON EL USO O DESEMPEÑO DEL PRODUCTO O DE OTROS DAÑOS RELATIVOS A CUALQUIER PÉRDIDA ECONÓMICA, PÉRDIDA DE PROPIEDAD, PÉRDIDA DE INGRESOS O GANANCIAS, PÉRDIDA DEL DISFRUTE O DEL USO, COSTO DE EXTRACCIÓN, INSTALACIÓN U OTROS DAÑOS CONSECUENTES. ALGUNOS ESTADOS NO PERMITEN LA EXCLUSIÓN O LIMITACIÓN DE LOS DAÑOS INCIDENTALES O CONSECUENTES. POR CONSIGUIENTE, ES POSIBLE QUE LA LIMITACIÓN ANTERIOR NO SE APLIQUE A SU CASO.

LA GARANTÍA EXTENDIDA POR EL PRESENTE REEMPLAZA A TODA OTRA GARANTÍA, Y CUALQUIER GARANTÍA IMPLÍCITA DE COMERCIABILIDAD O IDONEIDAD PARA UN PROPÓSITO EN PARTICULAR ESTÁ LIMITADA EN SU ALCANCE Y DURACIÓN A LOS TÉRMINOS ESTABLECIDOS EN EL PRESENTE. ALGUNOS ESTADOS O PAÍSES NO PERMITEN QUE HAYA LIMITACIONES RESPECTO A LA DURACIÓN DE UNA GARANTÍA IMPLÍCITA. POR CONSIGUIENTE, ES POSIBLE QUE LA LIMITACIÓN ANTERIOR NO SE APLIQUE A SU CASO. ESTA GARANTÍA LE CONCEDE DERECHOS LEGALES ESPECÍFICOS. PUEDE TENER OTROS DERECHOS QUE VARÍAN DE ESTADO A ESTADO O DE PAÍS A PAÍS.

ESTA GARANTÍA SERÁ VÁLIDA ÚNICAMENTE EN EL PAÍS EN EL QUE SE ADQUIRIÓ EL PRODUCTO.

ASSEMBLAGE, ENTRETIEN, ET MANUEL DE L'UTILISATEUR

N° DE MODÈLE STRC1400



AVERTISSEMENT

Veuillez lire toutes les précautions et les instructions de ce manuel avant d'utiliser cet équipement. Conservez ce manuel pour référence ultérieure.
Poids maximal de l'utilisateur 91 kg (200 lb).

SKYWALKER

TRAMPOLINES

Skywalker Holdings LLC
P.O. Box 574, Brigham City, UT 84302

TABLE DES MATIÈRES

Liste des pièces.....	3
Identification des pièces.....	4-5
Dessin éclaté.....	6
Assemblage.....	7-18
Information sur l'entretien et la maintenance.....	19
Instructions d'utilisation.....	20
Emplacement de l'étiquette d'avertissement.....	21
Instructions et modèle de leçons.....	22-23
Information de sécurité pour la trampoline.....	24
Information sur la sécurité de l'enceinte.....	25
Méthodes de prévention des accidents.....	26
Garantie limitée.....	27



ARRÊTEZ TOUT CE QUE VOUS FAITES ET ENREGISTREZ VOTRE TRAMPOLINE

Vous pouvez enregistrer votre garantie en ligne à l'adresse : www.skywalkertrampolines.com/registration/

Vous devrez avoir l'information suivante sous la main :

- Nom
- Adresse
- Numéro de téléphone
- Date d'achat
- Adresse de courrier électronique
- Numéro de modèle de la trampoline
- Numéro de série de la trampoline
- Nom du détaillant duquel vous avez acheté la trampoline

NOUS AVONS QUELQUE CHOSE DE TRÈS IMPORTANT À VOUS DIRE

Et c'est pour cela... qu'il est important de visiter notre site en ligne! Nous avons **des vidéos d'assemblage** (pour ceux qui préfèrent les vidéos aux livres), **une FAQ** (au cas où vous auriez une question que quelqu'un d'autre a déjà posée), **des billets de blogues fascinants** (saviez-vous que le saut permettait de brûler plus de calories que la course?), et pour finir... Retrouvez-nous sur les médias sociaux! Parce que nous voulons échanger avec vous. **Nous aimerions avoir de vos nouvelles.**

Site Web : skywalkertrampolines.com

Facebook : facebook.com/skywalkertrampolines

YouTube : youtube.com/c/SkywalkerTrampolines

Pinterest : pinterest.com/swtrampolines

Twitter : twitter.com/swtrampolines

Instagram : instagram.com/skywalker_trampolines



IMPORTANT

La trampoline et l'enceinte sont sensibles aux vents. Assurez-vous de sécuriser votre trampoline et l'enceinte. Le dommage par le vent n'est pas couvert par la garantie de votre trampoline.



AVERTISSEMENT

RISQUE D'ÉTOUFFEMENT - Les petites pièces ne sont pas recommandées pour les enfants de moins de 3 ans.



AVERTISSEMENT

Assemblage requis par un adulte.

LISTE DES PIÈCES

N° de la légende	Qté.	Description	N° de la légende	Qté.	Description
1	8	Connecteur (peut être préinstallé)	14	8	Capuchon de poteau
2	4	Tube de coin	15	8	Capuchon d'extrémité
3	4	Tube central	16	8	Boulon M5x50mm
4	8	Poteau de patte	17	8	Vis autotaraudeuse
5	4	Armature de patte	18	16	Boulon M6x63mm
6	1	Toile de la trampoline	19	32	Rondelle M6
7	80	Ressort long	20	16	Écrou M6
8	4	Ressort court	21	1	Outil pour les ressorts
9	1	Coussin de protection de	22	1	Tournevis
10	1	l'armature	23	1	Clé
11	8	Filet de l'enceinte	#	1	Manuel de l'utilisateur et
12	8	Tube courbé			affiche de sécurité
13	16	Tube droit	#	1	Ensemble d'étiquettes ASTM
		Manchon de mousse			pour l'armature

COMMANDER DES PIÈCES DE REMPLACEMENT

Nous le savons... des imprévues peuvent parfois se produire. Mais, l'amusement ne devrait pas s'arrêter simplement parce que vous avez besoin d'une nouvelle vis! Pour commander des pièces de remplacement, consultez notre site Web à l'adresse : www.skywalkertrampolines.com ou appelez notre ligne sans frais d'assistance à la clientèle au **1-866-603-Jump (5867)**, du lundi au vendredi de 8 h à 17 h heure normale des Rocheuses (à l'exception des jours fériés).

Notre équipe de service à la clientèle vous posera quelques questions de manière à pouvoir vous envoyer la pièce de remplacement le plus rapidement possible. Nous ne sommes pas là pour compliquer les choses, c'est une promesse.

Lorsque vous appelez, assurez-vous d'avoir les informations suivantes sous la main :

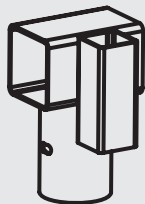
- Le numéro de modèle du produit (voir la couverture de ce manuel)
- Le numéro de pièce et sa description (voir la liste des pièces ci-dessus)
- La quantité requise (vous êtes le seul à connaître la réponse à cette question!)

AVANT DE COMMENCER

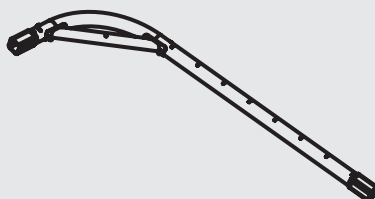
Merci d'avoir choisi Skywalker Trampolines! Nous sommes très heureux de vous aider à procurer un style de vie actif à votre famille (mais surtout un style de vie **AMUSANT**). Ce modèle est l'un de nos préférés et nous sommes certains que vous allez l'adorer. Pour vous faciliter la tâche, nous avons indiqué l'information importante que vous (et vos petits aventuriers du plein air) devez savoir. Assurez-vous de bien lire les avertissements, les instructions, la section d'assemblage et d'entretien et d'utilisation de votre nouveau produit... parce qu'il y aura un questionnaire rapide à la fin! (En fait, il n'y aura pas **VRAIMENT** de questionnaire, mais comme vous continuez à le lire c'est parfait! Vous faites un excellent travail).

IDENTIFICATION DES PIÈCES

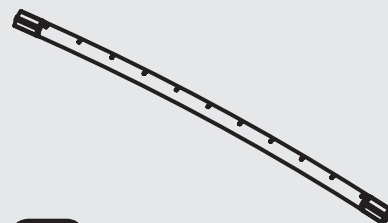
Avant de commencer, regardez les dessins ci-dessous afin de vous assurer que vous avez toutes les pièces! Les numéros dans les carrés à gauche (numéros de code) vous aideront à identifier les pièces pendant l'assemblage.



1 Connecteur (x8)
(peut être préinstallé)



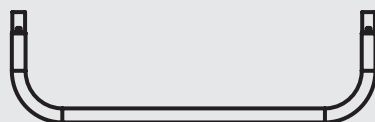
2 Tube de coin (x4)



3 Tube central (x4)



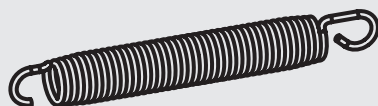
4 Poteau de patte (x8)



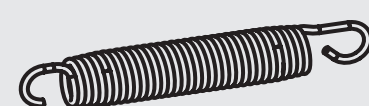
5 Armature de patte (x4)



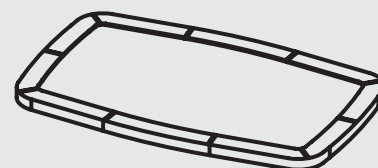
6 Toile de la trampoline (x1)



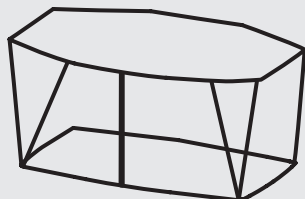
7 Ressort long (80)



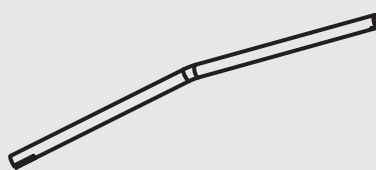
8 Ressort court (x4)



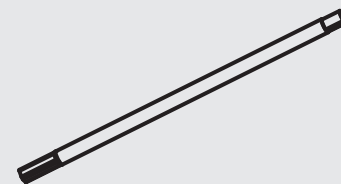
9 Coussin de protection de l'armature (x1)



10 Filet de l'enceinte (x1)



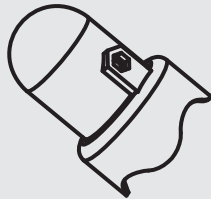
11 Tube courbé (x8)



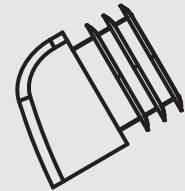
12 Tube droit (x8)



13 Manchon de mousse (x16)



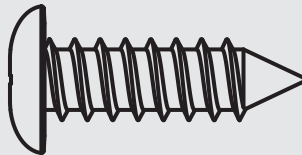
14 Capuchon de poteau (x8)



15 Capuchon d'extrémité (x8)



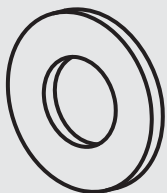
16 Boulon M5x50mm (x8)



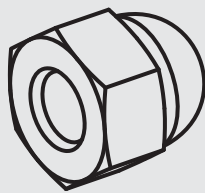
17 Vis autotaraudeuse (x8)



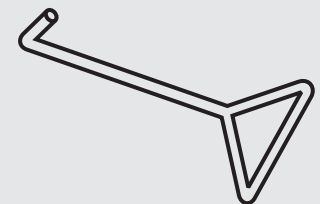
18 Boulon M6x63mm (x16)



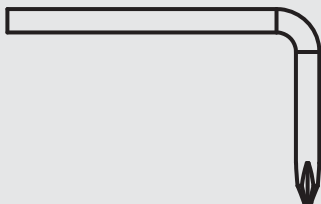
19 Rondelle M6 (x32)



20 Écrou M6 (x16)



21 Outil pour les ressorts (x1)

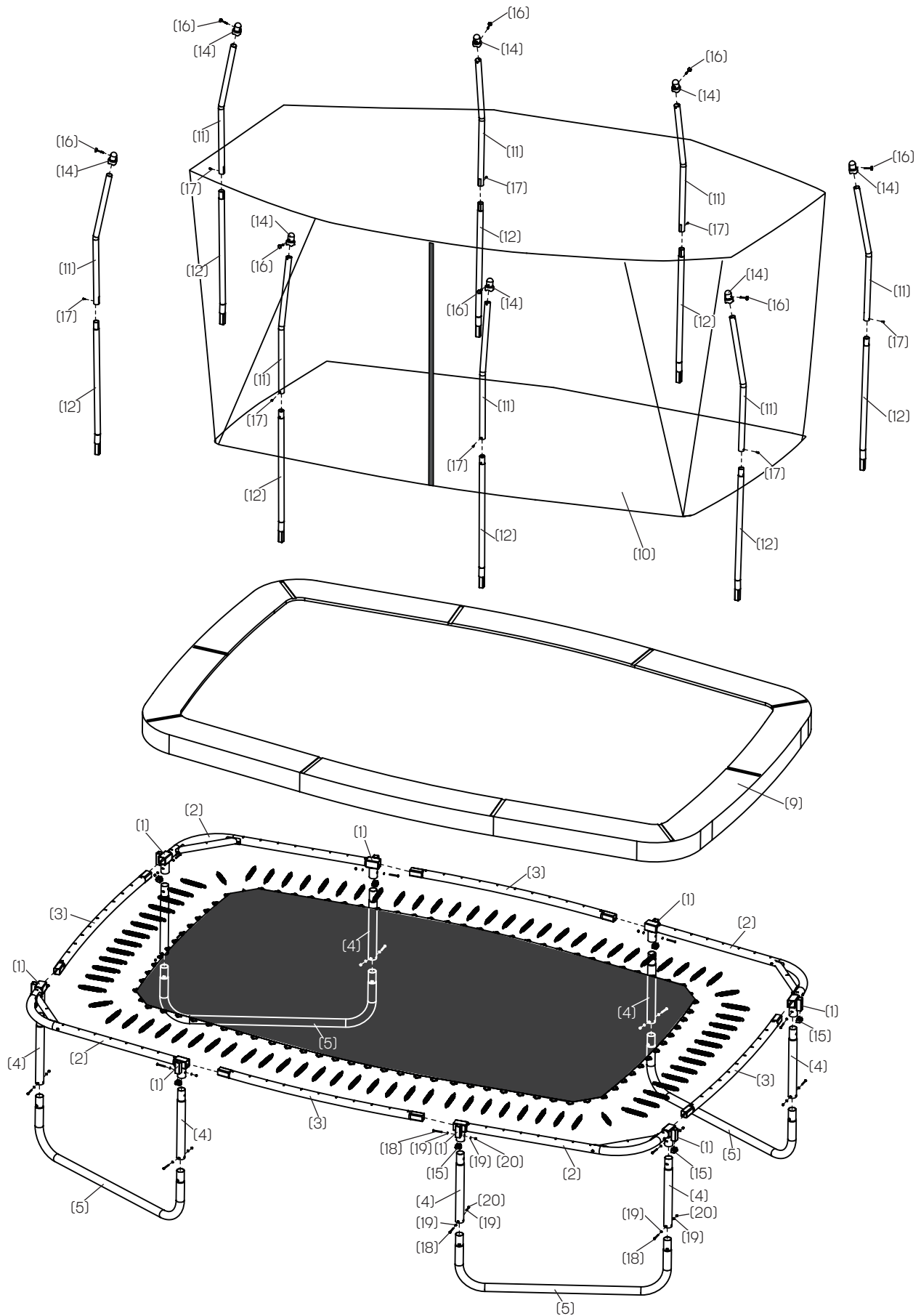


22 Tournevis (x1)



23 Clé (x1)

DESSIN ÉCLATÉ



ASSEMBLAGE

LISEZ CECI AVANT DE COMMENCER

- Vous devrez être au moins **2 adultes** et disposer de **2 heures de disponible** pour assembler votre trampoline (bien sûr, cela dépend du modèle que vous possédez et si vous possédez des pouvoirs de super héros).
- Nous avons fourni un tournevis Philips et une clé ajustable pour vous aider avec l'assemblage, mais vous pouvez utiliser vos propres outils. Plusieurs préfèrent utiliser une perceuse électrique et un maillet en caoutchouc pour faciliter l'assemblage.
- Utilisez des gants pour protéger vos mains des points de pincement durant l'assemblage. De plus, c'est à la mode.
- Les étapes d'assemblage font référence aux pièces par leur description et leur numéro de légende (voir la liste des pièces à la page 3).
- Les étapes d'assemblage sont écrites dans un ordre spécifique et si vous ne les suivez pas dans cet ordre... vous pourriez devoir recommencer toutes les étapes.
- Et surtout... **VOUS LE SAVEZ SUREMENT DÉJÀ. VOUS ÊTES LE MEILLEUR ASSEMBLEUR DE TRAMPOLINE DE LA RÉGION.** Ce n'est peut-être pas la chose la plus facile que vous ayez faite... Mais c'est une tâche qui en **vaut la peine**. Faites-nous confiance.

Et si vous êtes une personne qui apprend vite avec des vidéos, regardez les vidéos d'assemblage!

You Tube Visitez l'adresse : youtube.com/c/SkywalkerTrampolines

ÉTAPE 1

Enregistrez votre trampoline! Pour plus d'information sur l'enregistrement de la garantie, consultez les instructions à la page 2.

ÉTAPE 2



1 Connecteur (peut être préinstallé) **(x8)**

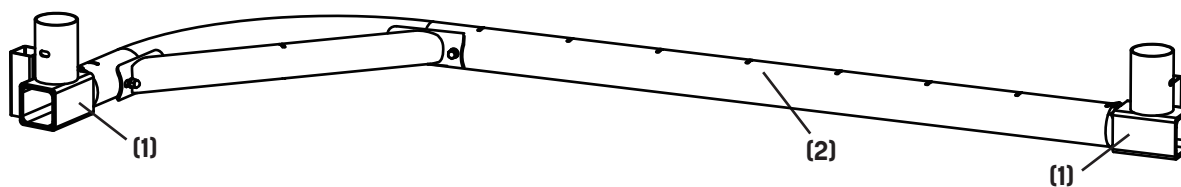


2 Tube de coin **(x4)**

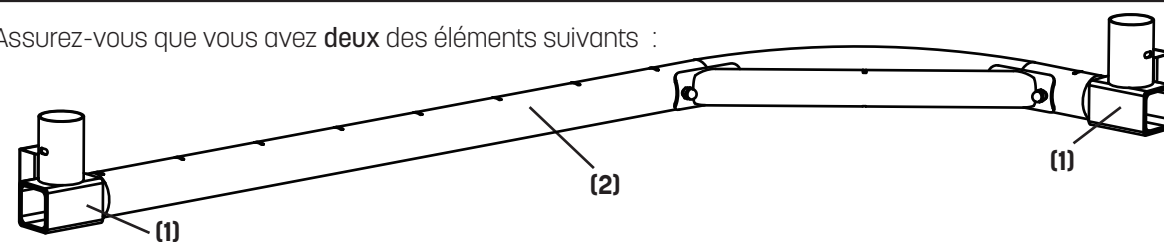
Les connecteurs **(1)** devraient être préinstallés sur les tubes de coin **(2)**.

Vérifiez et assurez-vous d'avoir les quatre sections en coin ci-dessous!

Assurez-vous que vous avez **deux** des éléments suivants :

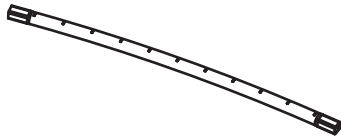


Assurez-vous que vous avez **deux** des éléments suivants :



ASSEMBLAGE

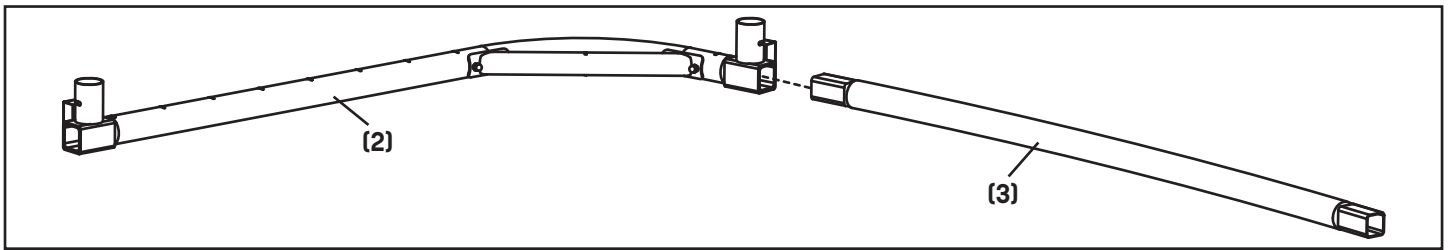
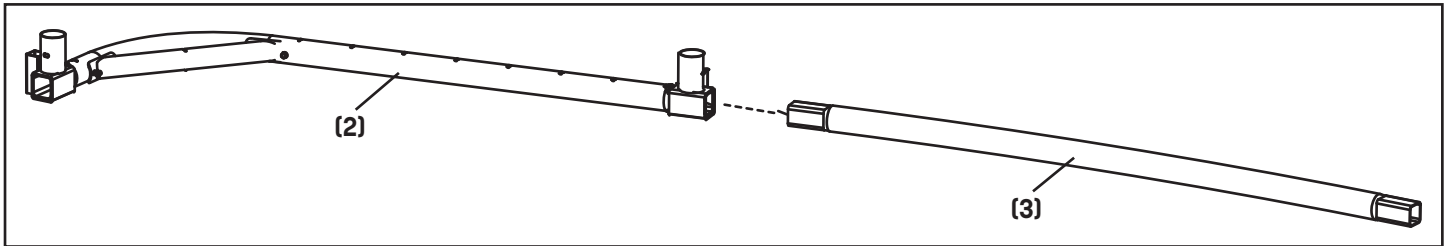
ÉTAPE 3



3 Tube central (x4)

Insérez ensuite les tubes centraux **(3)** dans les tubes de coin **(2)** comme illustré.

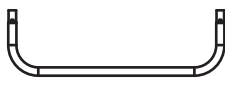
Lorsque vous aurez terminé, vous devriez avoir quatre sections, deux de chaque sorte.



ÉTAPE 4



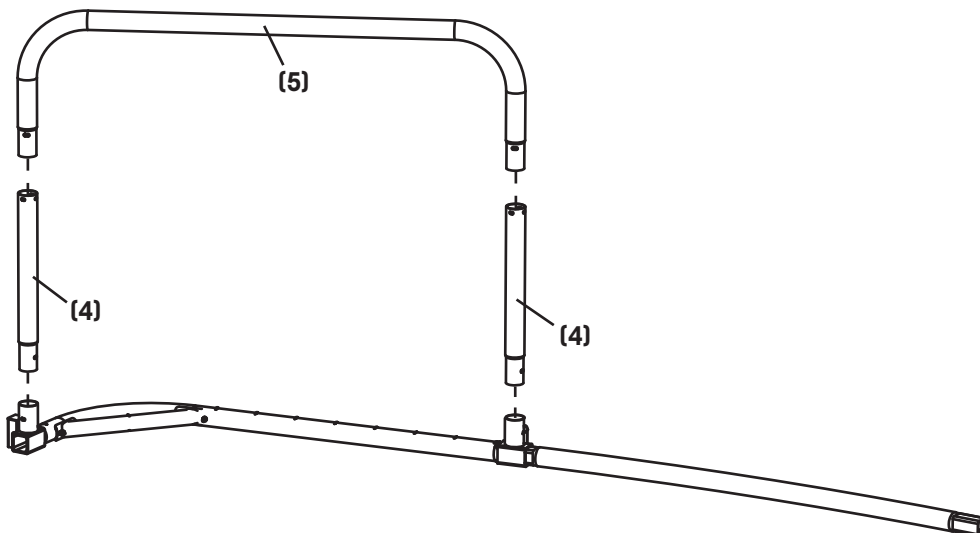
4 Poteau de patte (x4)



5 Armature de patte (x2)

Insérez deux poteaux de patte **(4)** dans l'une des sections assemblées du cadre assemblées à l'étape 3. Insérez ensuite une armature de patte **(5)** dans les poteaux de patte comme illustré.

Répétez cette étape une autre fois.



ÉTAPE 5

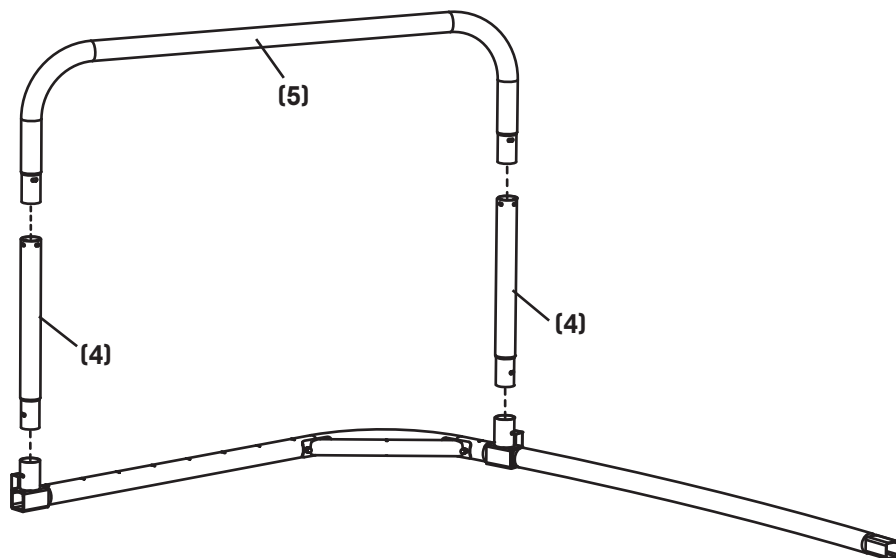


4 Poteau de
patte (x4)

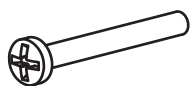
5 Armature de
patte (x2)

Insérez deux poteaux de patte **(4)** dans l'une des sections assemblées du cadre assemblées à l'étape 3. Insérez ensuite une armature de patte **(5)** dans les poteaux de patte comme illustré.

Répétez cette étape une autre fois.



ÉTAPE 6

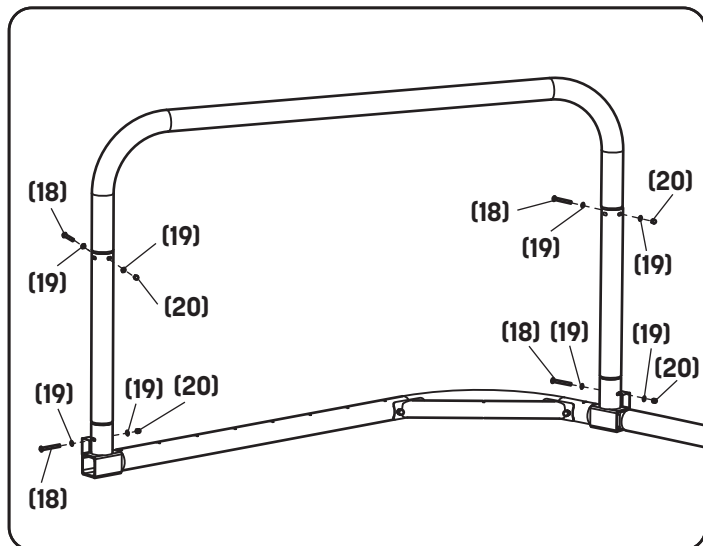
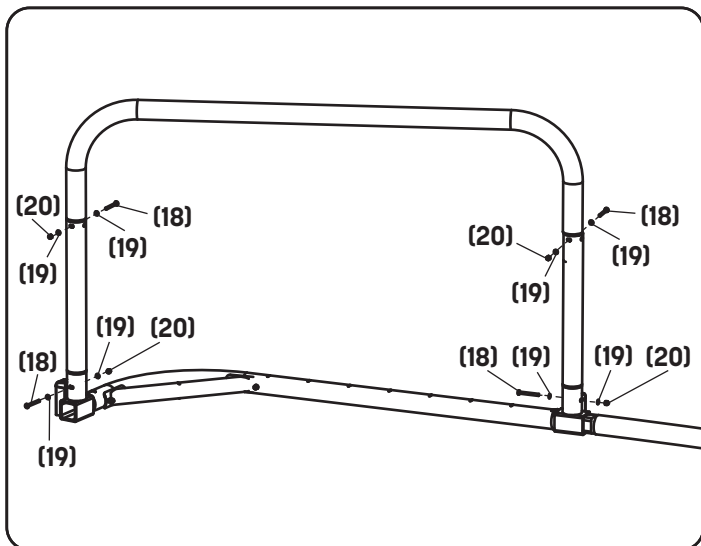


18 Boulon
M6x63mm
(x16)

19 Rondelle M6
(x32)

20 Écrou M6
(x16)

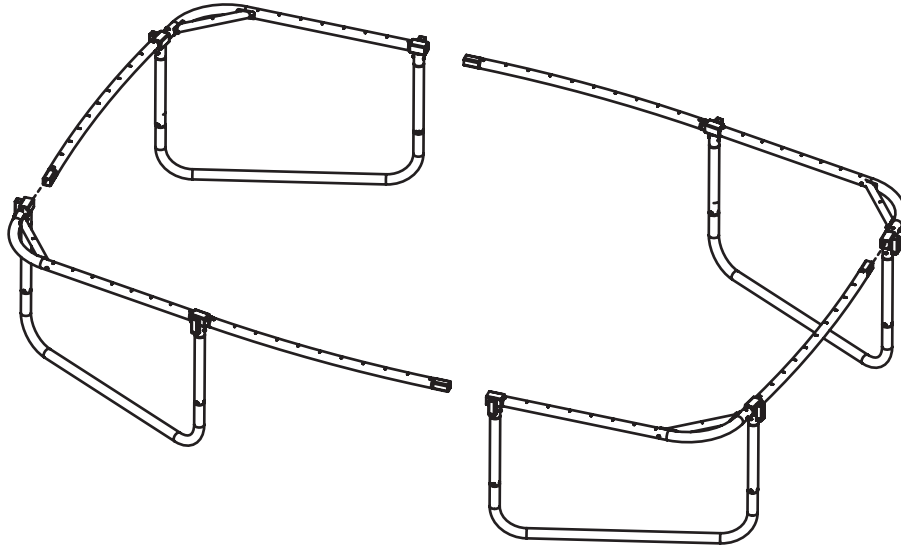
Fixez les poteaux de patte aux armatures de patte à l'aide des 16 boulons M6x63mm **(18)**, 32 rondelles M6 **(19)**, et 16 écrous M6 **(20)**.



ASSEMBLAGE

ÉTAPE 7

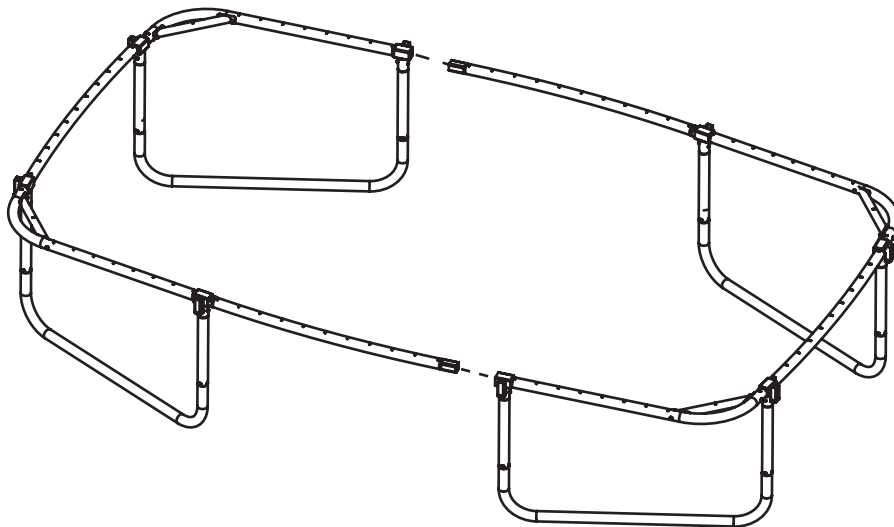
Avec un ami, retournez complètement les sections de pattes du coin de manière à ce qu'elles se tiennent maintenant sur les pattes. **(Ne passez pas cette étape! Nous ne sous-estimons pas votre force, mais si vous installez l'ensemble des connecteurs avec de la retourner, l'armature au complet sera trop lourde pour être retournée.)** Glissez maintenant deux sections de patte de coin ensemble. Vous avez maintenant deux moitiés d'armature d'assemblées.



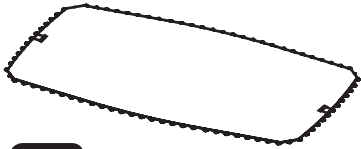
ÉTAPE 8

Glissez les deux moitiés de la trampoline ensemble afin de créer une armature qui se tient debout.

Remarque : Vissez tous les boulons pour serrer en place.

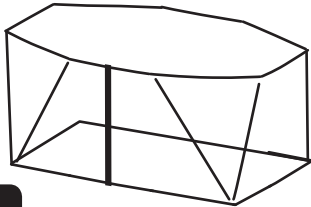


ÉTAPE 9



6

Toile de la trampoline (x1)



10

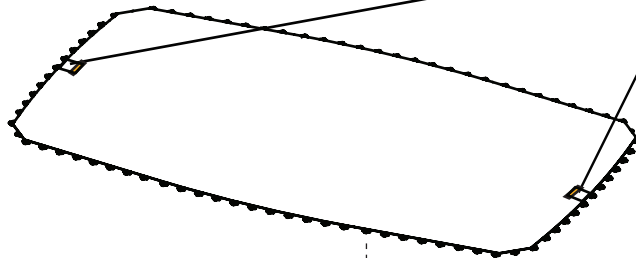
Filet de l'enceinte (x1)

Pour attacher le filet de l'enceinte à la toile de la trampoline, déposez la toile de la trampoline (6) au sol à l'intérieur de l'armature assemblée avec les étiquettes d'avertissement vers le haut.

a.) Placez maintenant le filet de l'enceinte (10) sur la toile de la trampoline (6), et assurez-vous que le premier trou du filet (à la gauche de la porte de l'enceinte) et le premier anneau en V avec l'agrafe de la fermeture éclair sur la toile sont alignés. Insérez ensuite le premier anneau en V dans le premier trou du filet. **Important! Le premier trou est le trou directement à droite de la fermeture éclair de la porte de l'enceinte. Le premier anneau en V est l'anneau en V avec une agrafe.**

b.) Insérez maintenant les autres anneaux en V dans les trous correspondants. Une fois que vous avez terminé, le filet de l'enceinte devrait être complètement attaché à la toile de la trampoline.

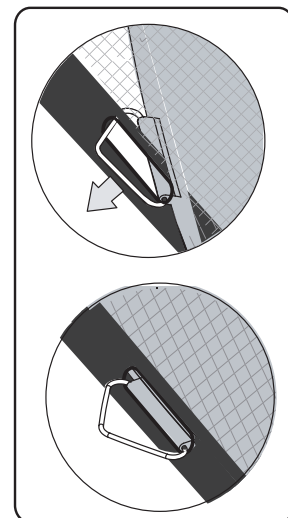
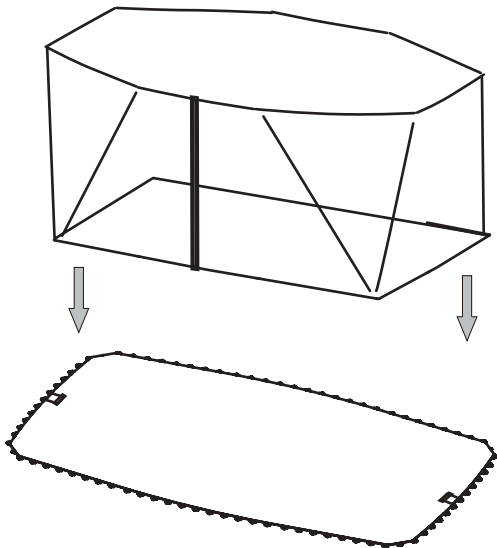
Avant de continuer, assurez-vous que chaque anneau en V de la toile de la trampoline est passé à travers le trou correspondant sur le filet de l'enceinte.



Étiquette d'avertissement sur le dessus



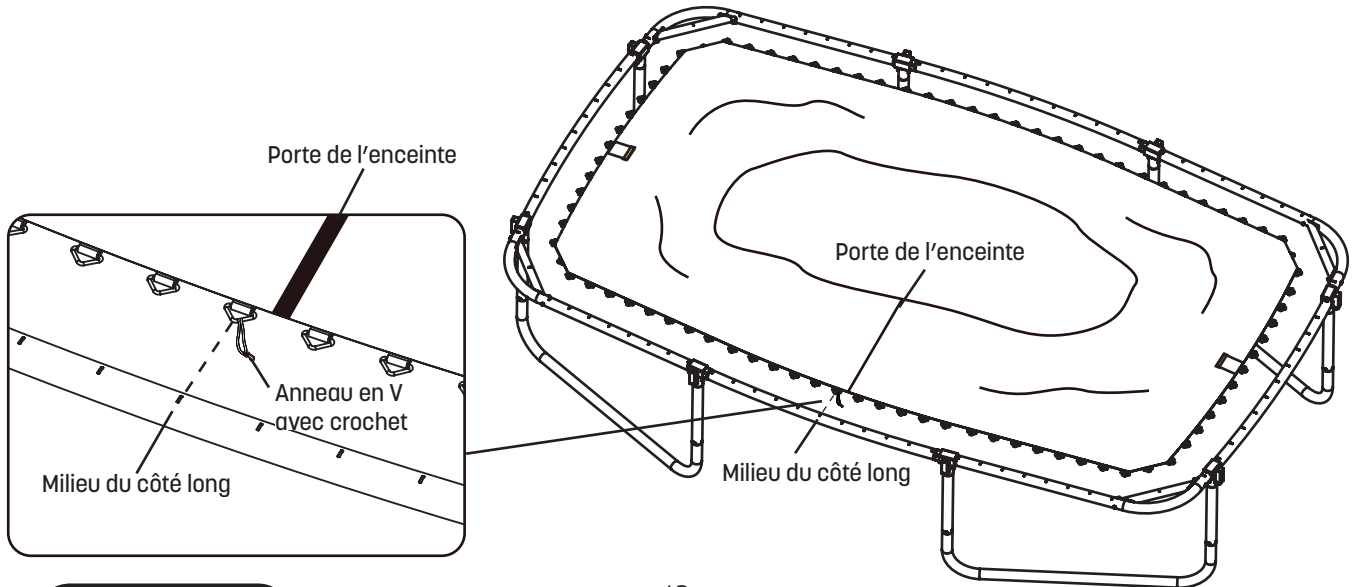
Étiquette d'identification en dessous



ASSEMBLAGE

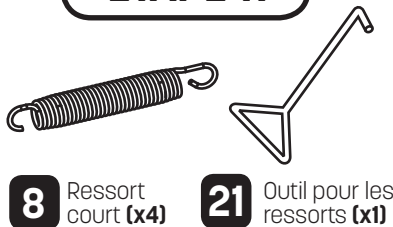
ÉTAPE 10

Placez la toile de la trampoline sur le sol à l'intérieur de l'armature avec le filet de l'enceinte sur le dessus. Placez de manière à ce que la toile de la trampoline s'aligne avec l'armature. **Assurez-vous de centrer l'anneau en V avec le crochet au milieu du côté long.**



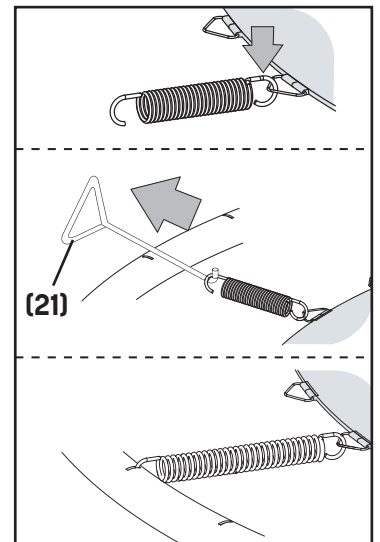
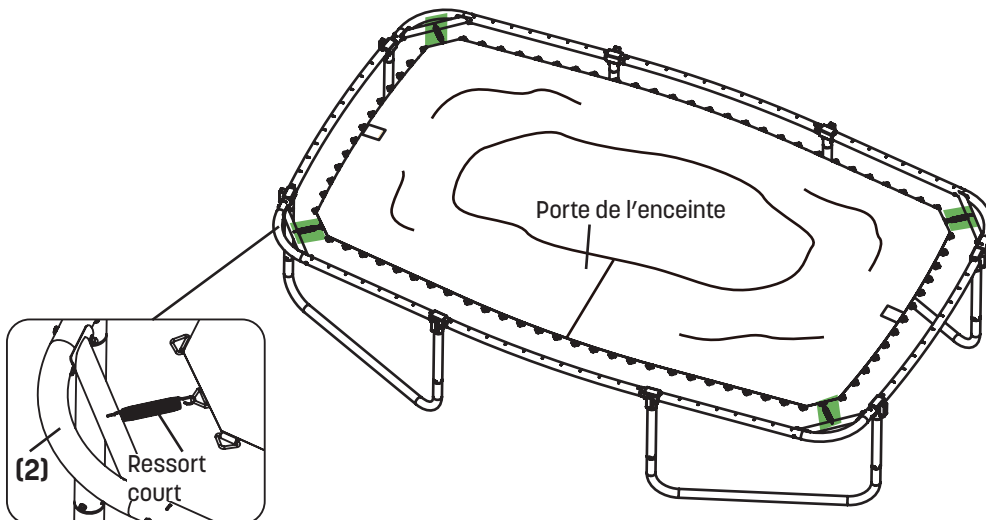
12

ÉTAPE 11

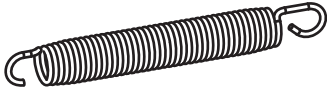


Des gants seront peut-être nécessaires pour cette étape! À l'aide de l'outil pour les ressorts (21), accrochez la plus petite extrémité d'un ressort court (8) dans l'anneau en V. Étirez l'extrémité libre du ressort jusqu'à ce qu'elle atteigne le trou de l'armature sur le tube de coin (2). Répétez cette étape sur les trois autres coins.

Vous devriez maintenant avoir quatre ressorts d'attachés.



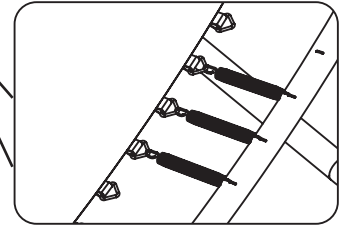
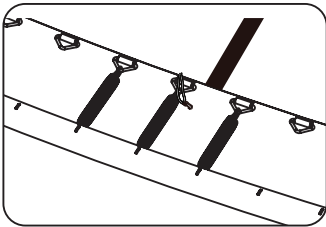
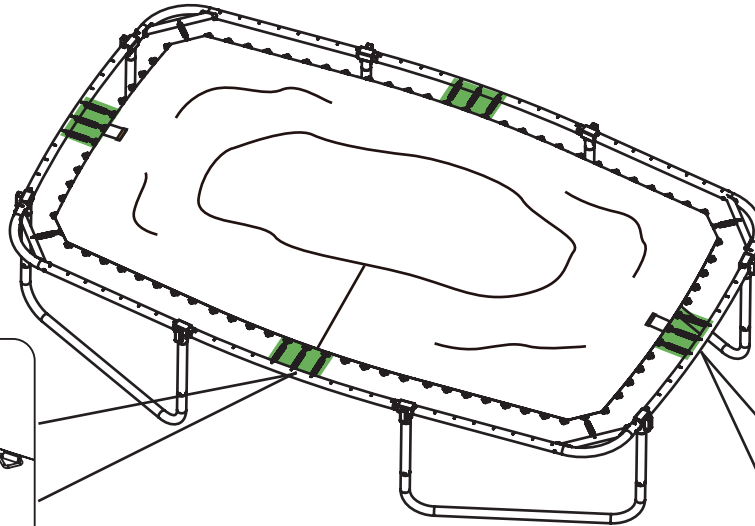
ÉTAPE 12



7 Ressort long (x12)

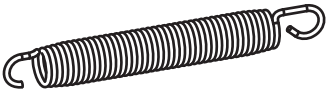
Attachez ensuite les **12 ressorts longs (7)** au milieu de chacun des **tubes de l'armature centrale (3)**. Il devrait y avoir trois ressorts placés de chaque côté.

Vous devriez maintenant avoir 16 ressorts d'attachés.



13

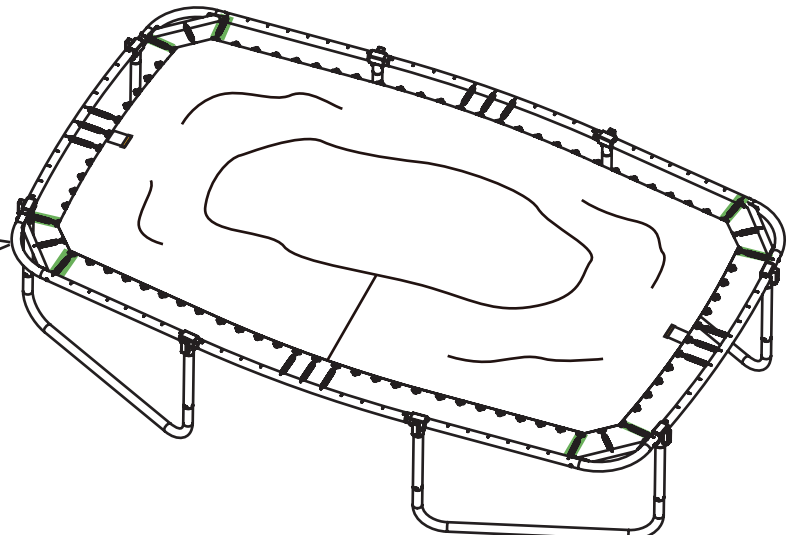
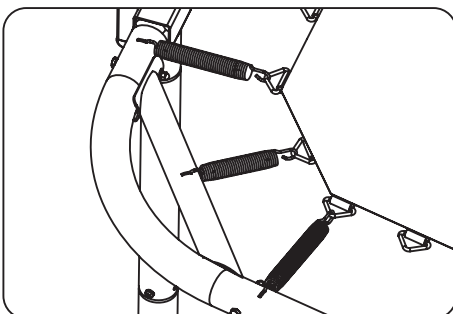
ÉTAPE 13



7 Ressort long (x8)

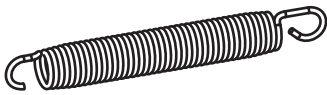
En utilisant l'outil pour les ressorts (**21**), accrochez **deux ressorts longs (7)** dans les anneaux en V à **chaque coin** de la toile. Étirez les extrémités libres des ressorts jusqu'à ce qu'elles atteignent les trous de l'armature les plus près sur le tube de coin (**2**).

Vous devriez maintenant avoir 24 ressorts d'attachés.



ASSEMBLAGE

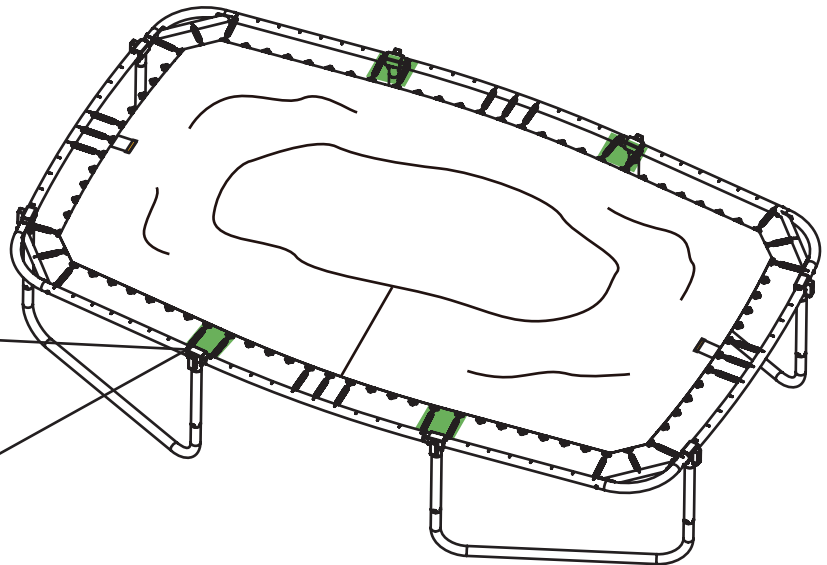
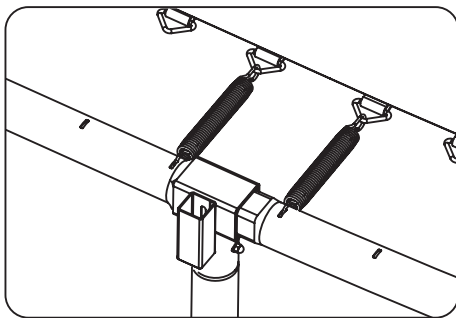
ÉTAPE 14



7 Ressort long (x8)

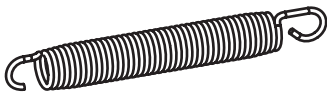
Attachez **deux autres ressorts longs (7)** de chaque côté des **quatre connecteurs (3)** sur le **côté long** comme illustré.

Vous devriez maintenant avoir 32 ressorts d'attachés.



14

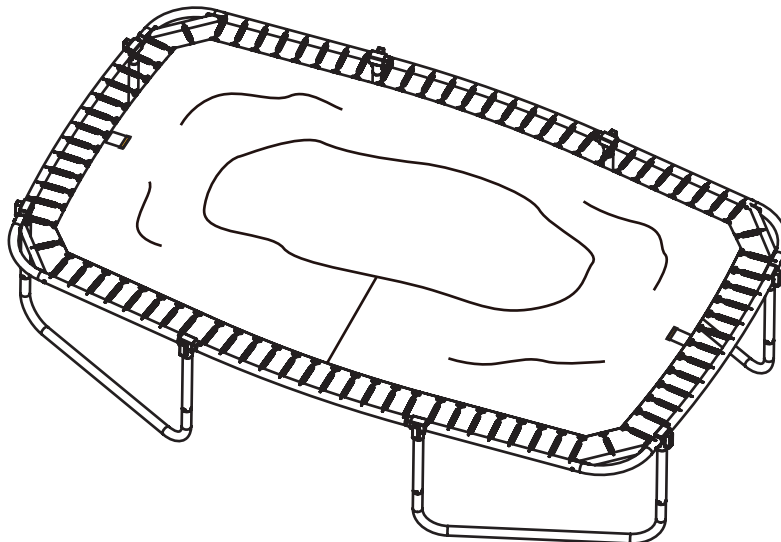
ÉTAPE 15



7 Ressort long (x52)

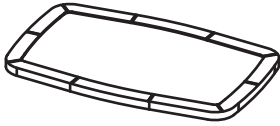
Maintenant, en travaillant dans le **sens des aiguilles d'une montre**, fixez tous les ressorts restants. **Assurez-vous que les anneaux en V et les trous dans l'armature sont correctement alignés.**

(Souvenez-vous, vous êtes celui qui est responsable dans cette histoire. Vous devez mener le bal avec les ressorts! Et les autres personnes qui vous aident...)



14

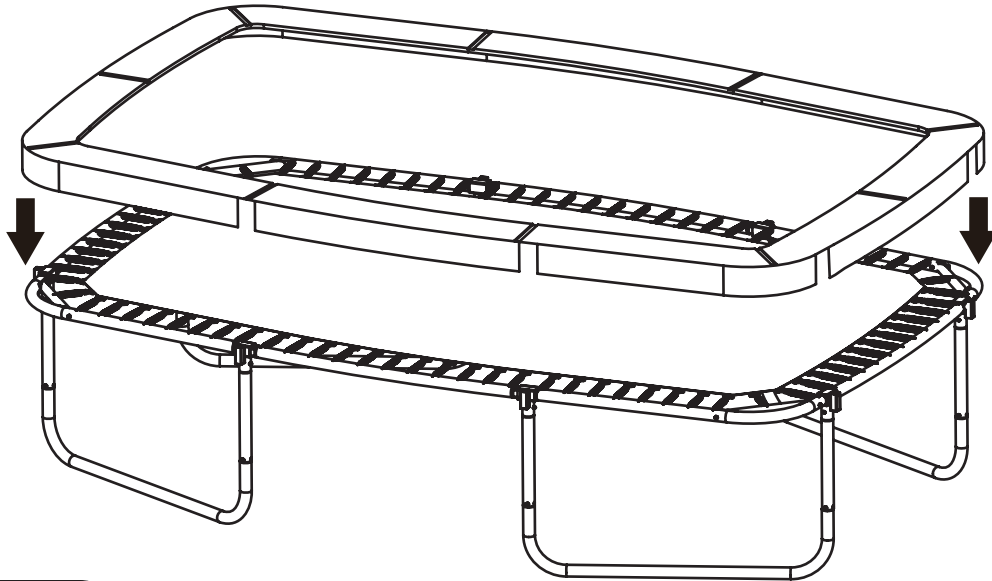
ÉTAPE 16



9 Coussin de protection de l'armature (x1)

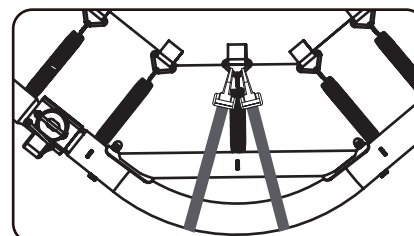
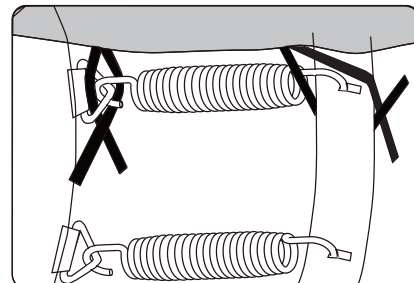
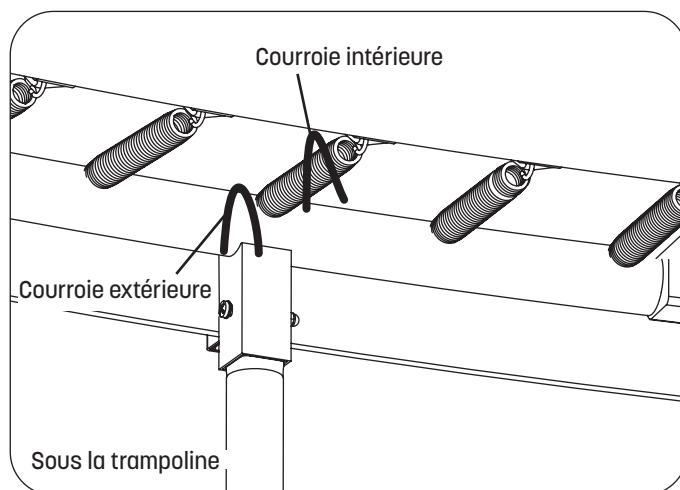
Déposez les coussins de protection de l'armature **(9)** sur l'armature. Positionnez le coussin de protection de manière à ce que les **fentes se retrouvent directement au-dessus des connecteurs**.

Important : N'utilisez pas la trampoline sans les coussins de protection. Ils sont conçus pour protéger les enfants qui sautent! Faites-nous confiance sur ce point.



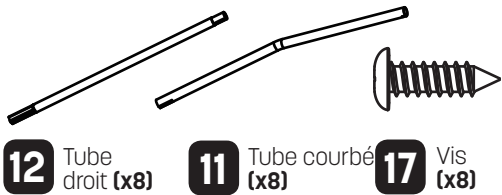
ÉTAPE 17

Regardez sous la trampoline. Localisez les courroies qui sont attachées au-dessous du coussin de protection de la trampoline **(12)**. Positionnez les **courroies extérieures** de façon à ce qu'une courroie se retrouve de **chaque côté de l'armature**. Positionnez les **courroies extérieures** de façon à ce qu'elles soient **passées à travers un anneau en V**. Attachez maintenant toutes les courroies en faisant des **boucles**. (Parce que si vous faites des nœuds, vous aurez beaucoup de difficulté à les défaire par la suite!) Fixez les coins du coussin de protection à l'armature en utilisant les courroies à cet effet. **Accrochez les courroies aux anneaux en V de chaque coin.**



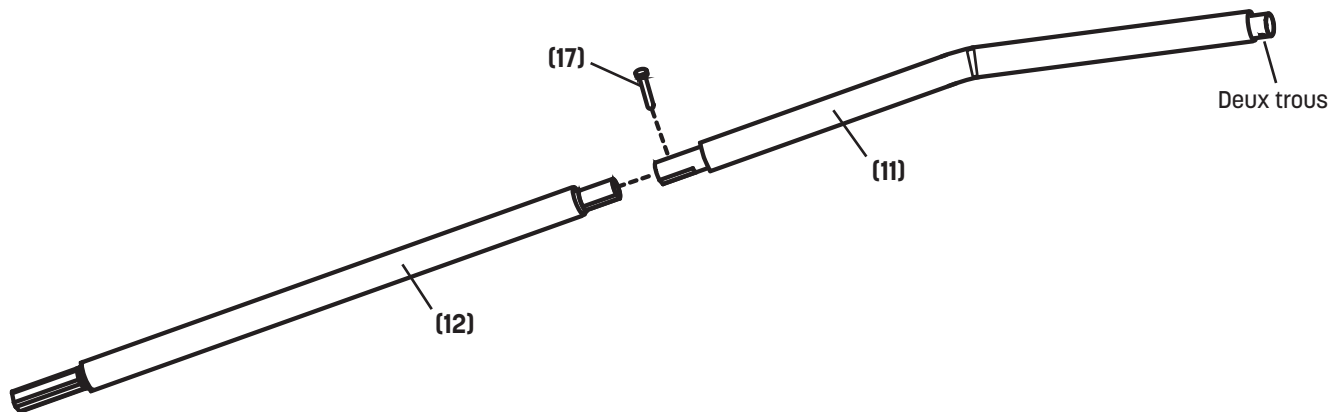
ASSEMBLAGE

ÉTAPE 18



Insérez le tube droit (12) dans le tube courbé (11) et fixez-le à l'aide d'une vis autotaraudeuse (17). **Important : Il y a deux trous sur l'une des extrémités du tube courbé. Assurez-vous que cette extrémité est vers le haut!**

Répétez cette étape pour assembler les sept tubes droits et tubes courbés restants ensemble.



16

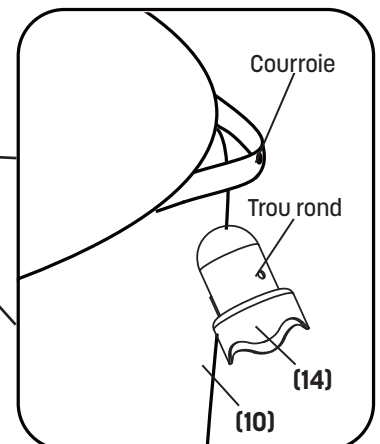
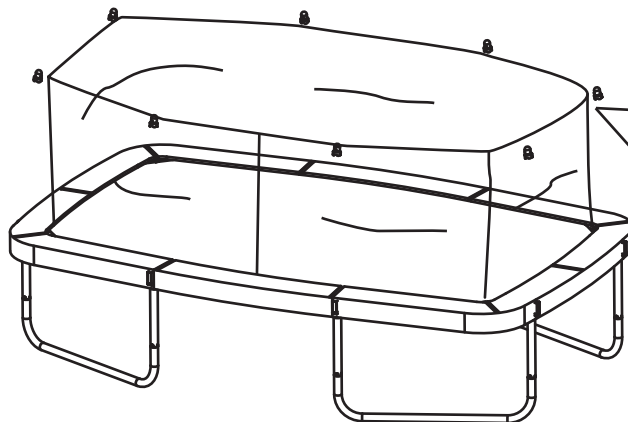
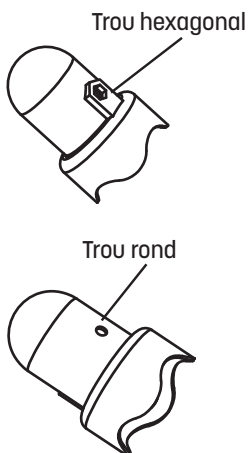
ÉTAPE 19



14 Capuchon de poteau (x8)

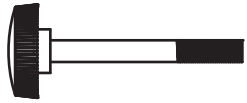
Important : Le capuchon de poteau (14) possède deux côtés; un avec un trou hexagonal et l'autre avec un trou rond.

Insérez le capuchon de poteau dans un anneau de la courroie dans la partie supérieure du filet de l'enceinte. Assurez-vous que le trou hexagonal fait face au filet, et que le trou rond fait face vers vous.



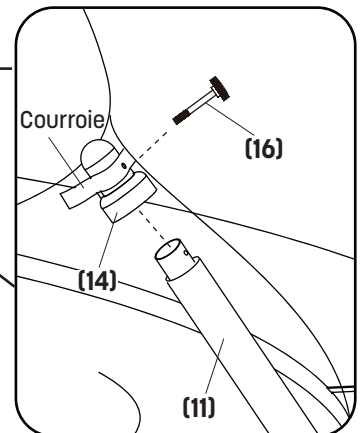
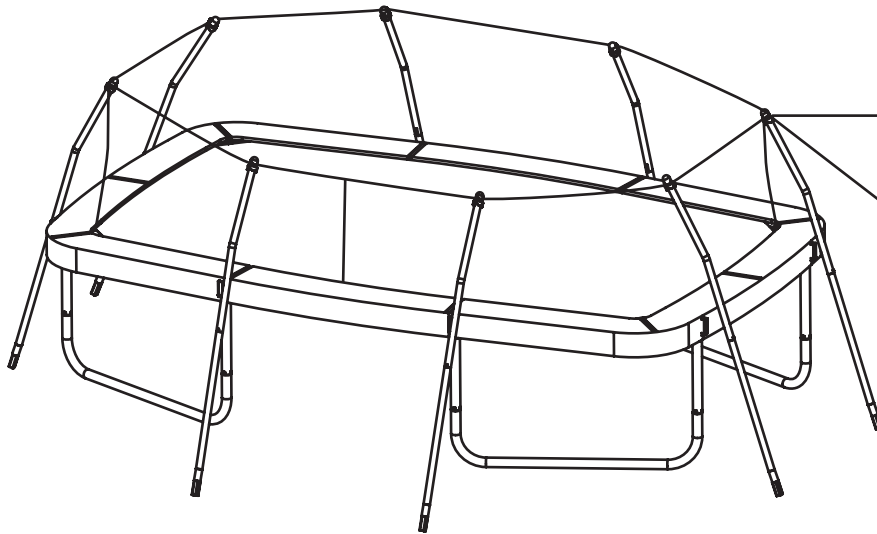
16

ÉTAPE 20



16 Boulon M5x50mm (x8)

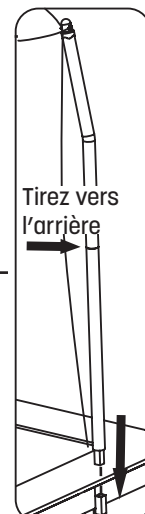
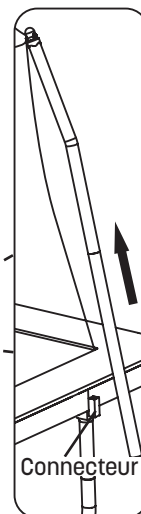
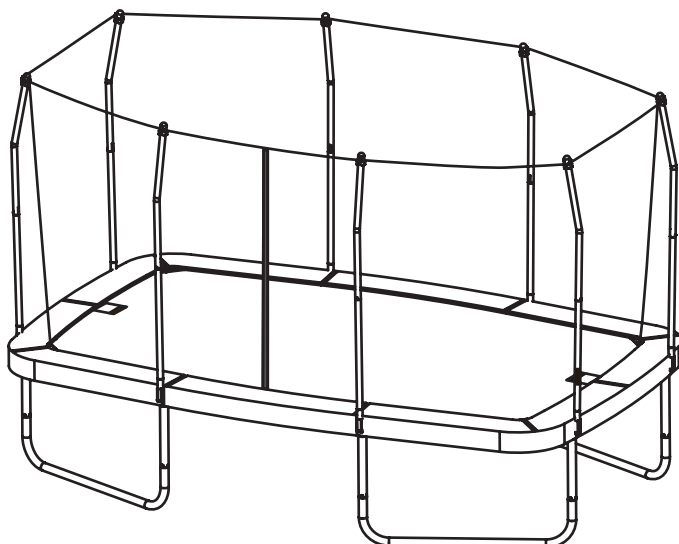
Par la suite, insérez le tube courbé (11) dans le capuchon de poteau (14). Assurez-vous que le **côté plié** des poteaux de l'enceinte **fait face au centre** de la trampoline. Assurez-vous que les trous du tube courbé, du capuchon de poteau et de l'anneau de la courroie sont tous alignés. Insérez ensuite un boulon M5x50mm (16) pour le serrer en place. **Important : Assurez-vous que le boulon pénètre dans le trou rond en PREMIER (non pas dans le trou hexagonal) ou vous pourriez briser le capuchon!**



ÉTAPE 21

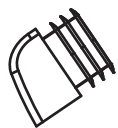
En partant de la porte de l'enceinte, soulevez l'un des poteaux assemblés, puis insérez le tube droit (13) dans le connecteur. Répétez ce processus pour assembler les sept poteaux restants.

Conseil pratique : Lorsque vous insérez les poteaux d'enceinte, tirez vers l'arrière sur le milieu des poteaux!



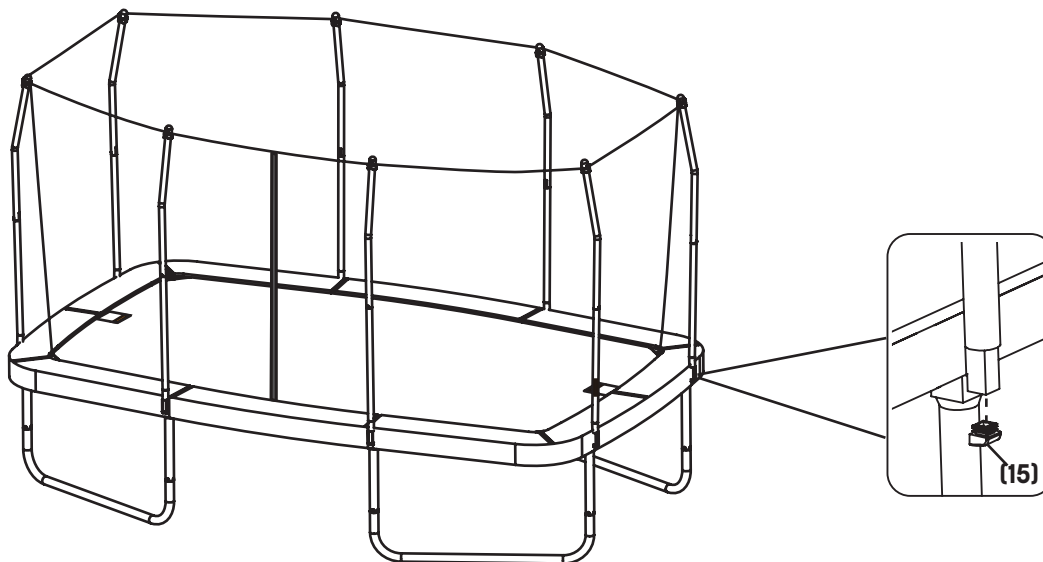
ASSEMBLAGE

ÉTAPE 22



15 Capuchon d'extrémité (x8)

Insérez les capuchons d'extrémité **(15)** dans la partie inférieure des connecteurs.

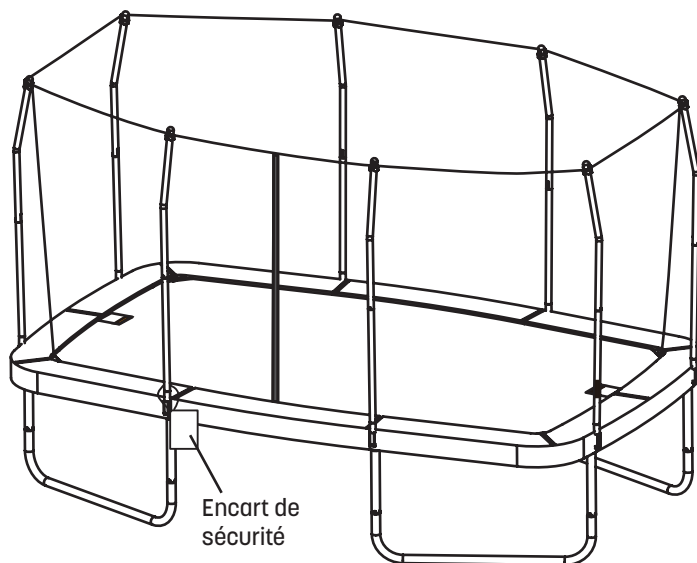


18

ÉTAPE 23

LA DERNIÈRE ÉTAPE, VOUS ÊTES PRÈS DE LA LIGNE D'ARRIVÉE.

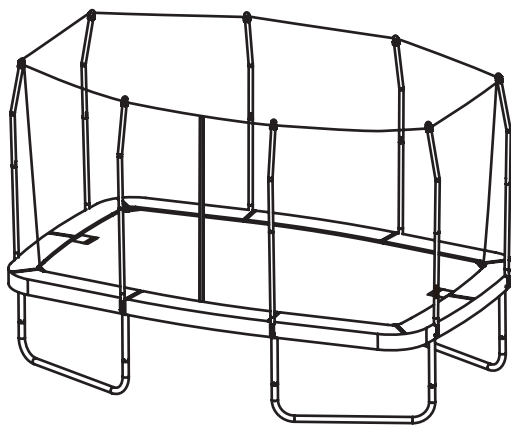
En utilisant l'attache en plastique incluse, fixez l'encart de sécurité à la trampoline près de la porte d'enceinte.



18

ÉTAPE 24

Félicitations pour avoir assemblé votre nouvelle trampoline! (Vous voyez... on savait que vous pouviez réussir!) Alors, passons aux vraies questions... **Êtes-vous satisfait avec ce produit?** Si c'est le cas, allez **écrire une évaluation** sur le site du détaillant duquel vous avez acheté la trampoline. Nous souhaitons réellement avoir des nouvelles... et si nous pouvions, on vous donnerait une étoile. Êtes-vous totalement frustré et vous avez quelques « bons » mots à nous dire? Communiquez avec nous directement! Nous ne sommes pas là pour compliquer les choses, c'est une promesse. Et nous ferons tout ce que nous pouvons pour vous satisfaire à nouveau. Consultez les coordonnées à la page 2 et 3.



INFORMATION SUR L'ENTRETIEN ET LA MAINTENANCE

Félicitations et bravo! Vous avez assemblé avec succès votre nouvelle trampoline Skywalker rectangulaire de 4,3 m (14 pi) avec enceinte! Maintenant, la meilleure façon de garder votre nouvelle trampoline en bon état, il est important de vérifier périodiquement les éléments suivant :

- Coussin de protection de l'armature, filet, tubes de l'enceinte ou manchons de mousse manquants, mal positionnés ou mal fixés
- Perforations, usures, déchirements ou trous dans la toile, le coussin de protection de l'armature, le filet ou les manchons de mousse
- Détérioration des coutures ou du tissu de la toile, du coussin de protection de l'armature ou du filet
- Ressorts brisés ou manquants
- Armature, patte ou tubes de l'enceinte pliés ou cassés
- Toile ou filet enfoncé
- Protubérances pointues sur l'armature, le système de suspension ou les tubes de l'enceinte

Si vous remarquez l'une des conditions susmentionnées, veuillez démonter la trampoline et/ou le filet de l'enceinte jusqu'à ce que vous ayez commandé les nouvelles pièces!

Déplacement de la trampoline et de l'enceinte

Si la trampoline et l'enceinte doivent être déplacées, celles-ci doivent être déplacées par deux personnes en les conservant à l'horizontale et en les soulevant légèrement. Si nécessaire, la trampoline et l'enceinte peuvent être démontées pour faciliter le déplacement. Suivez les étapes d'assemblage dans l'ordre inverse pour démonter la trampoline. N'essayez pas de retirer des sections de l'armature, des pattes ou des bases avant d'avoir retiré la toile et les ressorts.

N'oubliez pas de nous visiter en ligne! **Nous aimerions avoir de vos nouvelles.**

Site Web : skywalkertrampolines.com

Facebook : facebook.com/skywalkertrampolines

YouTube : youtube.com/channel/UCUty7EqwIGouK5ovzGpHGw/feed

Pinterest : pinterest.com/swtrampolines

Twitter : twitter.com/swtrampolines?lang=en

Instagram : instagram.com/skywalker_trampolines/?hl=en

INSTRUCTIONS D'UTILISATION

Afin de réduire le risque de blessures graves, lisez et respectez tous les avertissements, précautions et instructions indiqués dans ce manuel avant d'utiliser l'enceinte de la trampoline. Les avertissements et les instructions pour l'entretien, la maintenance et l'utilisation de cette trampoline et de cette enceinte sont inclus afin d'encourager une utilisation sécuritaire et agréable de cet équipement.

1. Il est de la responsabilité du propriétaire et des superviseurs de la trampoline et de l'enceinte de s'assurer que tous les utilisateurs se conforment aux instructions de sécurité indiquées dans ce manuel. La trampoline devrait être utilisée uniquement en présence d'adultes bien informés pour effectuer la supervision.
2. Verrouillez l'accès à la trampoline et à l'enceinte de la trampoline pour éviter l'accès non autorisé ou sans supervision. Si vous utilisez une échelle pour monter ou descendre de la trampoline, assurez-vous de l'enlever lorsque vous n'utilisez pas la trampoline ou l'enceinte.
3. Assurez-vous qu'il y a suffisamment d'espace au-dessus de la trampoline et de l'enceinte avant l'utilisation. Il est préférable d'avoir un espace d'au moins 7,3 m (24 pi) au-dessus du sol. Cet espace doit être exempt de câbles, de branches d'arbre et de tout autre objet à risque.
4. L'espace latéral (de côté) est très important. Ne placez pas la trampoline ou l'enceinte près des murs, des édifices, des clôtures, des trottoirs ou des autres aires de jeux. Gardez toujours une zone de dégagement sur tous les côtés de la trampoline et de l'enceinte.
5. Enlevez tous objets qui pourraient interférer avec l'utilisateur. Conservez une zone de dégagement autour et sous la trampoline.
6. Assurez-vous que la trampoline et l'enceinte sont sur une surface au niveau avant l'utilisation.
7. Inspectez toujours la trampoline et l'enceinte avant chaque utilisation. Assurez-vous que l'armature, le coussin de protection, le filet, les tubes de l'enceinte et les manchons de mousse sont positionnés correctement et de manière sécuritaire. Remplacez toutes pièces usées, défectueuses ou manquantes. (Les utilisateurs peuvent se blesser si la trampoline et l'enceinte sont utilisées dans de piètres conditions d'utilisation.)
8. Sautez seulement lorsque la surface de la toile est sèche. Les vents ou les déplacements d'air devraient être très faibles ou inexistant. La trampoline et l'enceinte ne doivent pas être utilisées lors de vents importants ou violents.
9. L'armature de la trampoline et de l'enceinte est fabriquée en métal. Ils ne sont pas mis à la terre et sont conducteurs de l'électricité. Un risque d'électrocution est donc possible. Aucune lumière, aucun radiateur électrique, aucune rallonge ou aucun appareil électrique ménager ne doivent être sur la trampoline ou dans l'enceinte à aucun moment.
10. Utilisez la trampoline et l'enceinte dans un endroit bien éclairé. Si la trampoline et l'enceinte sont à l'intérieur ou dans des zones peu éclairées, vous devrez peut-être ajouter de l'éclairage artificiel (électrique) dans la zone.
11. Pendant les mois d'hiver, les matières souples de la trampoline doivent être enlevées et stockées dans un endroit sec. Laisser en place ces éléments pendant l'hiver peut endommager les ressorts, la toile de la trampoline, les coussins de protection des ressorts et l'enceinte. La garantie sera annulée.
12. Cette trampoline et l'enceinte sont fabriquées pour des utilisateurs qui pèsent moins de 90,7 kg (200 lb).
13. Une trampoline de plus de 51 cm (20 po) de hauteur n'est pas recommandée pour des enfants de moins de 6 ans.
14. L'enceinte de la trampoline doit être utilisée uniquement avec la taille de trampoline pour laquelle elle a été conçue.
15. Une utilisation incorrecte ou abusive de l'enceinte de trampoline est dangereuse et peut provoquer de graves blessures.
16. N'attachez rien au filet qui n'est pas un accessoire approuvé par le fabricant ou qui fait partie des pièces du système d'enceinte.
17. Enlevez tous vos bijoux avant d'utiliser la trampoline. Les bijoux peuvent rester coincés dans le filet de l'enceinte.
18. Portez des vêtements sans cordon, crochet, boucle ou tout autre élément qui pourrait rester coincé pendant que vous utilisez la trampoline/l'enceinte et provoquer l'étranglement, la strangulation ou les deux.
19. NE laissez PAS entrer plus d'une personne à la fois dans l'enceinte de la trampoline. Le fait d'avoir deux personnes ou plus dans l'enceinte de la trampoline en même temps peut provoquer des blessures graves.
20. NE sautez PAS sur la trampoline pendant que vous tenez ou que vous avez des objets en main, spécialement des objets tranchants ou cassants.
21. N'utilisez PAS la trampoline et l'enceinte si vous avez consommé de l'alcool ou des drogues.
22. N'essayez PAS ou n'autorisez PAS une autre personne à faire des sauts périlleux (sauts arrière) sur la trampoline. L'atterrissage sur la tête ou le cou peut provoquer de graves blessures, la paralysie ou la mort, même lorsque vous tombez dans le milieu de la toile de la trampoline.
23. Grimpez et descendez normalement de la trampoline. Sauter de la trampoline sur le plancher ou au sol lorsque vous descendez ou sauter sur la trampoline lorsque vous montez constituent des pratiques dangereuses.
24. N'utilisez PAS la trampoline comme tremplin pour d'autres objets. Entrez et sortez de l'enceinte uniquement en empruntant la porte de l'enceinte ou la barrière conçue à cette fin.
25. N'essayez PAS de ramper sous, de sauter par-dessus, de rebondir intentionnellement sur, de vous suspendre à, de grimper sur ou de couper le filet de sécurité.
26. En conservant la tête droite, gardez les yeux fixés sur la trampoline en direction du périmètre. Ceci vous aidera à contrôler le saut.
27. Arrêtez de sauter en pliant les genoux au moment où vos pieds entrent en contact avec la toile de la trampoline. Apprenez cette technique avant d'en essayer d'autres.
28. Évitez de sauter trop haut. Sautez légèrement jusqu'à ce que vous contrôliez les sauts et l'atterrissage au centre de la trampoline. Le contrôle est plus important que la hauteur.
29. Évitez de sauter lorsque vous êtes fatigué. Gardez les séances sur la trampoline courtes.
30. Apprenez les sauts et les positions corporelles de base complètement avant d'essayer de développer des techniques plus évoluées. Une grande variété d'activités de trampoline peuvent être effectuées avec les notions de base dans différentes combinaisons, en utilisant les règles de base en rebondissant avec les pieds.
31. Pour obtenir de l'information supplémentaire concernant l'équipement de trampoline, communiquez avec le fabricant. Pour obtenir de l'information concernant la formation, communiquez avec un instructeur de trampoline certifié.
32. N'utilisez pas ou ne restez pas près de la trampoline dans des conditions venteuses ou de grands vents. Une trampoline peut être transportée par le vent dans des conditions venteuses ou de grand vent. Cela peut entraîner de graves blessures, la paralysie ou la mort, en plus de provoquer des dommages matériels. Pour réduire ces risques, désassemblez la trampoline et l'enceinte et rangez-les jusqu'à ce que les conditions météorologiques s'améliorent. L'ancrage de l'armature de la trampoline peut empêcher la trampoline de se déplacer en raison du vent, mais même des trampolines ancrées peuvent être emportées ou endommagées par le vent. Consultez un entrepreneur qualifié pour déterminer le type d'ancrage à utiliser en fonction de votre emplacement.

EMPLACEMENT DE L'ÉTIQUETTE D'AVERTISSEMENT

AVERTISSEMENT

N'atterrissez pas sur la tête ou le cou. N'essayez pas et ne permettez pas aux utilisateurs d'effectuer des culbutes sur la trampoline. L'atterrissage sur votre tête ou votre cou peut provoquer de graves blessures, la paralysie ou la mort, même lorsque vous tombez dans le milieu de la toile de la trampoline. Utilisez la trampoline uniquement en présence de personnes adultes assurant la supervision.

Une seule personne à la fois sur la trampoline. N'autorisez pas plus d'une personne à la fois à utiliser la trampoline. L'utilisation de la trampoline par plus d'une personne à la fois augmente les risques de blessure. Utilisez la trampoline uniquement en présence de personnes adultes assurant la supervision. Cette trampoline n'est pas recommandée pour des enfants de moins de 6 ans.

Pour le superviseur :
Lisez les instructions avant d'utiliser la trampoline. Respectez toutes les règles de sécurité et familiarisez-vous avec l'information dans le manuel de l'utilisateur pour aider les nouveaux utilisateurs à apprendre les sauts de base et tous les utilisateurs à respecter la sécurité sur la trampoline.

Tous les utilisateurs de la trampoline doivent être sous supervision d'un adulte ayant les connaissances de base, peu importe la compétence ou l'âge de la personne qui l'utilise.

Cette trampoline n'est pas recommandée pour des enfants de moins de 6 ans.

Inspectez la trampoline avant utilisation. Gardez l'armature en place. Une toile de trampoline, des ressorts ou une pièce d'armature qui sont usés ou endommagés doivent être remplacés immédiatement.

Gardez les objets éloignés qui pourraient interférer avec la personne qui saute.

Sécurisez la trampoline pour prévenir une utilisation non autorisée ou non supervisée.

N'utilisez pas la trampoline lorsqu'elle est mouillée ou dans des conditions venteuses.

Pour les utilisateurs :
N'utilisez pas la trampoline lorsque vous avez consommé des drogues ou de l'alcool.

Évitez de sauter lorsque vous êtes fatigués.

Sautes :
Apprenez très bien les sauts et les positions corporelles de base avant d'essayer des acrobaties plus difficiles. Étudiez le manuel de l'utilisateur pour apprendre comment exécuter les sauts de base.

Arrêtez vos sauts en pliant les genoux ou moment où vos pieds entrent en contact avec la toile de la trampoline.

Évitez de sauter trop haut ou trop loin. Contrôlez toujours vos sauts. Un saut contrôlé se produit lorsque vous sautez et vous atterrissez au même endroit.

Sautez au centre de la trampoline. Regardez en direction du périmètre de la toile de la trampoline. Le fait de ne pas regarder en direction de la périphérie de la toile peut vous faire perdre l'équilibre et le contrôle.

Sautez seulement une personne à la fois et assurez-vous qu'il y ait toujours quelqu'un pour vous surveiller.

Monter et descendre de la trampoline :
Montez et descendez normalement de la trampoline. Ne sautez pas pour monter ou pour descendre de celle-ci. N'utilisez pas la trampoline comme tremplin pour d'autres objets.

Pour obtenir plus d'information sur l'équipement, communiquez avec Skywalker. Pour obtenir de l'information sur la formation, communiquez avec une organisation de formation certifiée.

FIXATION À LA TRAMPOLINE

AVERTISSEMENT

N'atterrissez pas sur la tête ou le cou. N'essayez pas et ne permettez pas aux utilisateurs d'effectuer des culbutes sur la trampoline. L'atterrissage sur votre tête ou votre cou peut provoquer de graves blessures, la paralysie ou la mort, même lorsque vous tombez dans le milieu de la toile de la trampoline. Utilisez la trampoline uniquement en présence de personnes adultes assurant la supervision.

Une seule personne à la fois sur la trampoline. N'autorisez pas plus d'une personne à la fois à utiliser la trampoline. L'utilisation de la trampoline par plus d'une personne à la fois augmente les risques de blessure. Utilisez la trampoline uniquement en présence de personnes adultes assurant la supervision. Cette trampoline n'est pas recommandée pour des enfants de moins de 6 ans.

AVERTISSEMENT

N'atterrissez pas sur la tête ou le cou. N'essayez pas et ne permettez pas aux utilisateurs d'effectuer des culbutes sur la trampoline (Culbutes).

N'atterrissez pas sur la tête ou le cou. L'atterrissage sur votre tête ou votre cou peut provoquer de graves blessures, la paralysie ou la mort, même lorsque vous tombez dans le milieu de la toile de la trampoline.

Utilisez la trampoline uniquement en présence de personnes adultes assurant la supervision.

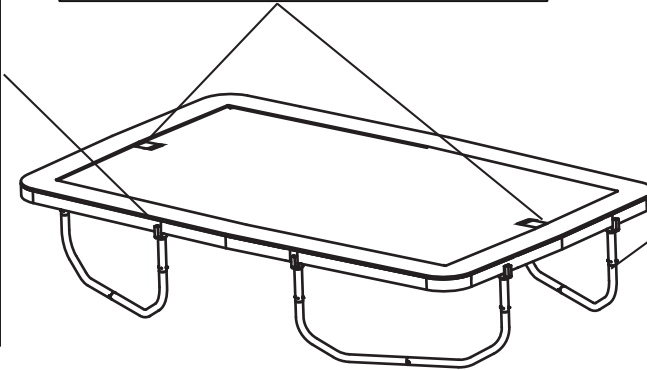
N'autorisez pas plus d'une personne à la fois à utiliser la trampoline. En laissant plusieurs personnes sauter en même temps, vous augmentez la chance de perte de contrôle, de collision et de chute. Ceci peut provoquer des fractures à la tête, au cou, au dos ou aux jambes.

Utilisez la trampoline uniquement en présence de personnes adultes assurant la supervision.

Cette trampoline n'est pas recommandée pour des enfants de moins de 6 ans.

Lisez tous les instructions avant d'utiliser la trampoline.

Inspectez la trampoline avec utilisation pour remplacer toutes les pièces défectueuses ou manquantes.



AVERTISSEMENT

N'atterrissez pas sur la tête ou le cou. Atterrissez sur la tête ou le cou. La paralysie ou la mort peuvent survenir, même si vous êtes au centre de la toile de la trampoline. Ne faites pas de culbutes. Utilisez l'enceinte de la trampoline uniquement en présence de personnes adultes assurant la supervision. Respectez toutes les règles de sécurité et familiarisez-vous avec l'information dans le manuel de l'utilisateur pour aider les utilisateurs à respecter les instructions de sécurité pour l'enceinte et la trampoline.

Une seule personne à la fois sur la trampoline. Les sauts multiples à répétition augmentent la chance de perte de contrôle et ceci peut vous amener à vous fracturer le crâne, le dos ou les jambes. Les utilisateurs peuvent s'envoler ou s'étouffer si des pièces sont mal serrées ou s'il y a des espaces entre la trampoline et l'enceinte.

Pour le superviseur :
Utilisez l'enceinte de la trampoline uniquement en présence de personnes adultes assurant la supervision. Respectez toutes les règles de sécurité et familiarisez-vous avec l'information dans le manuel de l'utilisateur pour aider les utilisateurs à respecter les instructions de sécurité pour l'enceinte et la trampoline.

Ce système de trampoline à enceinte n'est pas recommandé pour des enfants de moins de 6 ans.

Ne dépassez pas la limite de poids recommandée par le fabricant.

Utilisez seulement lorsque la toile de la trampoline est propre et sèche. Inspectez l'enceinte et la trampoline avant chaque utilisation et remplacez les pièces usées, défectueuses ou manquantes.

Utilisez seulement lorsque l'enceinte de la trampoline n'a pas de trou, que les agrafes de poteau sont solidement installées sur les poteaux et que le support (armature) et le filet de sécurité sont correctement installés.

Pour les utilisateurs :
N'utilisez pas la trampoline lorsque vous avez consommé des drogues ou de l'alcool.

Sautes :
Évitez de sauter trop haut pendant trop longtemps. Contrôlez toujours vos sauts. N'essayez pas de sauter par-dessus le filet de sécurité.

N'essayez pas intentionnellement de sauter sur le filet de sécurité. Ne vous suspendez pas, ne frappez pas, ne coupez pas ou ne montez pas sur le filet.

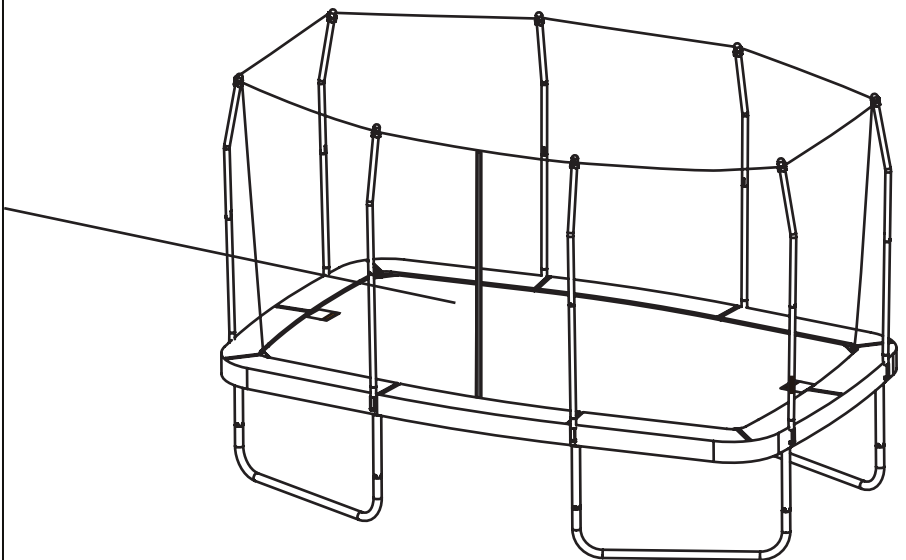
Portez des vêtements sans cordon, crochet, boucle ou tout autre élément qui pourrait rester coincé pendant que vous utilisez la trampoline/l'enceinte et provoquer l'étranglement ou les deux.

Monter et descendre de la trampoline :
Montez et descendez de la trampoline par la porte ou la barrière de l'enceinte. Ne sautez pas pour monter ou pour descendre de celle-ci. Ne passez pas sous la barrière. N'utilisez pas la trampoline comme tremplin pour d'autres objets.

Ne sautez pas à partir d'autres objets, édifices ou surfaces sur la trampoline, dans ou par-dessus l'enceinte de la trampoline.

Pour obtenir plus d'information sur l'équipement, communiquez avec Skywalker Trampolines. Pour obtenir de l'information sur la formation, communiquez avec une organisation de formation certifiée.

ATTACHER AU FILET À LA PORTE



L'encart illustré ci-dessus est cousu sur le filet de l'enceinte de la trampoline.

Remarque : Les étiquettes et l'encart illustrés ne représentent pas la taille réelle.

Les étiquettes mentionnées sur cette page ont été fixées à la trampoline aux emplacements indiqués. Les encarts d'instructions de sécurité devront être fixés par le propriétaire. Si les étiquettes ou l'encart ne sont pas présents ou illisibles, appelez notre ligne sans frais d'assistance à la clientèle au 1-866-603-JUMP (5867), du lundi au vendredi de 8 h à 17 h, heure normale des Rocheuses, pour commander des étiquettes ou un encart de remplacement gratuitement.

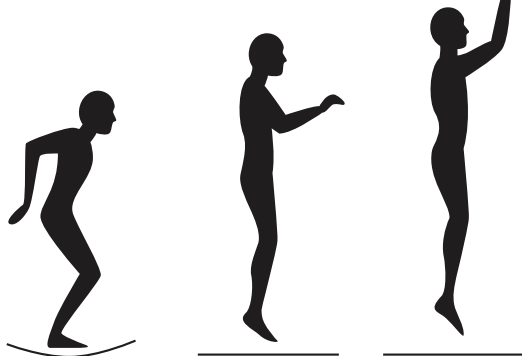
INSTRUCTION ET MODÈLE DE LEÇONS

Les leçons suivantes sont des exemples d'un programme d'instruction. Ils doivent être précédés d'une discussion complète et d'une démonstration de la mécanique du corps par le superviseur pour les étudiants.

1. Monter et descendre : Démonstration et pratique des techniques appropriées.
2. Saut de base : Démonstration et pratique.
3. Arrêt : Démonstration et pratique. Arrêt sur demande.
4. Chute sur les mains et les genoux : Effectuez la démonstration et pratiquez, en insistant sur l'atterrissage en quatre points et l'alignement.

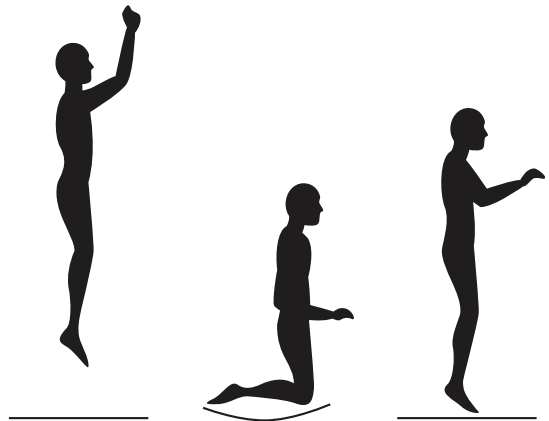
Leçon 1 : Saut de base

1. Commencez en position debout avec votre tête bien droite et vos yeux qui fixent le coussin de protection de l'armature.
2. Balancez vos bras vers le haut dans un mouvement circulaire.
3. Rapprochez vos pieds ensemble et pointez vos orteils vers le bas lorsque vous êtes dans les airs.
4. Gardez vos pieds à une distance d'environ 38 cm (15 po) lorsque vous retombez sur la toile.



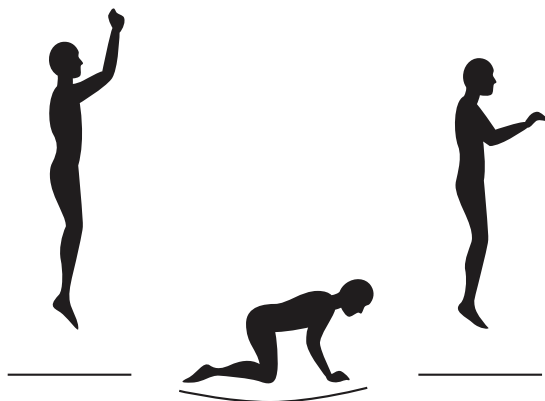
Leçon 2 : Chute sur les genoux

1. Commencez à sauter en position debout, en gardant vos yeux sur le coussin de protection de l'armature.
2. Tombez sur vos genoux, en gardant le dos droit et le haut de votre corps relevé.
3. Revenez à la position debout.



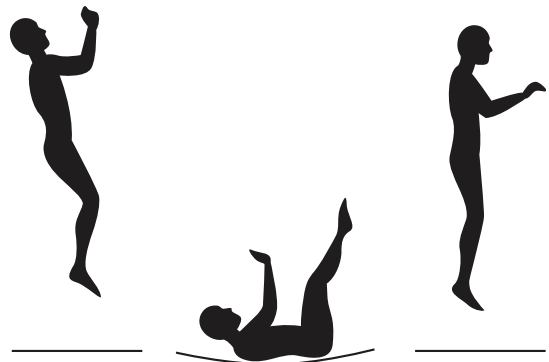
Leçon 3 : Chute sur les mains et les genoux

1. Commencez à sauter en position debout, en gardant vos yeux sur le coussin de protection de l'armature.
2. Atterrissez sur la toile sur vos mains et vos genoux.
3. Poussez avec vos mains pour revenir en position debout.



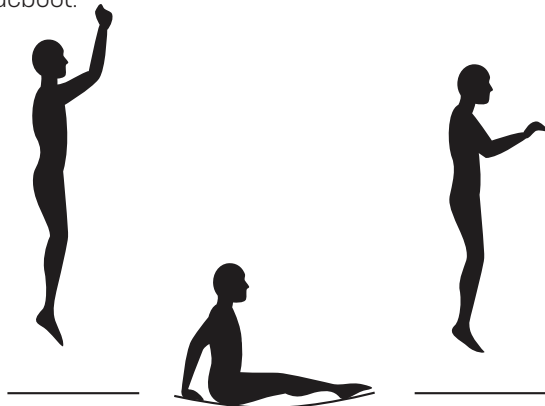
Leçon 4 : Chute sur le dos

1. Commencez par un saut léger et retombez sur votre dos.
3. Gardez votre menton penché sur votre poitrine lorsque vous atterrissez.
4. Donnez un coup de pied vers l'avant et vers le haut avec vos jambes pour revenir en position debout.



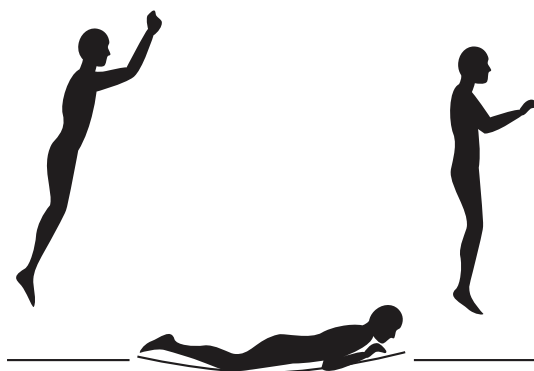
Leçon 5 : Chute sur le postérieur

1. Atterrissez dans une position assise en ayant vos jambes parallèles à la toile.
2. Placez vos mains sur la toile de chaque côté de vos hanches.
3. Poussez avec vos mains pour revenir en position debout.



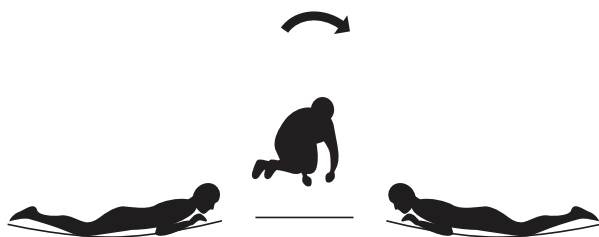
Leçon 6 : Chute avant

1. Commencez par un saut léger et retombez sur votre ventre.
2. Tenez votre tête relevée et vos bras allongés vers l'avant sur la toile.
3. Poussez avec vos bras pour revenir en position debout.



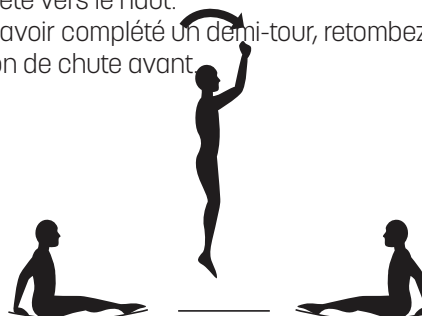
Leçon 7 : Demie table tournante

1. Commencez par la position de chute avant et poussez sur la droite ou la gauche avec vos bras en tournant votre corps dans la direction opposée.
2. Tournez votre tête et vos épaules vers la direction dans laquelle votre corps se tourne.
4. Gardez votre dos parallèle à la toile de la trampoline et votre tête vers le haut.
5. Après avoir complété un demi-tour, retombez dans la position de chute avant.



Leçon 8 : Pivot des hanches

1. Commencez par une chute sur le postérieur.
3. Tournez votre tête sur la gauche ou la droite et balancez vos bras dans la même direction.
4. Tournez vos hanches dans la même direction que votre tête et vos bras en complétant la torsion.
5. Atterrissez dans la position de la chute sur le postérieur.
4. Gardez votre dos parallèle à la toile de la trampoline et votre tête vers le haut.
5. Après avoir complété un demi-tour, retombez dans la position de chute avant.



Une fois que chaque leçon est apprise, l'étudiant devrait être encouragé à concevoir et à planifier des routines en mettant l'accent sur la bonne forme. L'instructeur peut juger ou noter les étudiants et organiser des groupes pour poursuivre l'enseignement.

Pour stimuler l'intérêt compétitif des étudiants, le jeu de « Horse pour la trampoline » peut être introduit. Avant de commencer le jeu, les étudiants s'attribuent un chiffre. Pour commencer une partie, l'étudiant numéro 1 effectue une acrobatie. L'étudiant numéro 2 monte ensuite la trampoline, effectue la même acrobatie et ajoute une seconde acrobatie. L'étudiant numéro 3 monte et effectue les acrobaties 1 et 2, puis en ajoute une troisième. La série d'acrobatie est continuellement allongée. La première personne à manquer une acrobatie dans la série prend la lettre « H » et commence une nouvelle série par une acrobatie. Si une personne manque à nouveau, elle prend la lettre « O ». Lorsqu'une personne accumule « H-O-R-S-E », il ou elle est éliminé de la partie. Le dernier participant à rester est le gagnant. Il serait préférable à partir de ce moment de contacter un instructeur qualifié de trampoline pour la planification des leçons.

INFORMATION DE SÉCURITÉ POUR LA TRAMPOLINE

Les participants peuvent se blesser lors de l'utilisation de la trampoline, comme c'est le cas pour tous les sports récréatifs. Cependant, des précautions peuvent être prises pour réduire le risque de blessures. Les principaux types d'accidents sont identifiés dans cette section et les responsabilités des superviseurs et des personnes qui sautent sont décrites dans la section sur la prévention des accidents.

CLASSIFICATION DES ACCIDENTS

Culbutes (sauts arrière) : Vous augmentez le risque de fracture au niveau du dos ou du cou en tombant sur votre tête ou votre cou, même dans le centre de la toile de la trampoline, ce qui peut provoquer la paralysie ou même la mort. De tels événements peuvent se produire lorsqu'un utilisateur fait une erreur en essayant d'effectuer une culbute ou un saut arrière. N'effectuez pas de saut arrière (culbute) sur cette trampoline.

Plusieurs utilisateurs : Lorsque plus d'un utilisateur est présent sur la trampoline, les risques de blessures provoquées par la perte de contrôle d'un saut augmentent. Les utilisateurs peuvent entrer en collision les uns avec les autres, tomber de la trampoline, tomber sur les ressorts ou tomber de la mauvaise façon sur la toile de trampoline. L'utilisateur le moins lourd est le plus susceptible d'être blessé.

Monter et descendre (s'installer sur la trampoline ou sortir de la trampoline) : La toile de la trampoline est à plusieurs pieds au-dessus du niveau du sol. En sautant de la trampoline directement sur le sol ou sur une autre surface, vous risquez de vous infliger des blessures. Sauter sur la trampoline à partir d'une toiture, d'une terrasse ou de tout autre objet présente un risque de blessure. Les jeunes enfants pourraient avoir besoin d'aide pour monter et descendre de la trampoline. Montez et descendez prudemment de la trampoline. Ne sautez pas sur les ressorts de la trampoline. Ne vous soutenez pas sur les coussins de protection de l'armature pour vous tirer sur la trampoline.

Contact avec l'armature et les ressorts : Une blessure peut survenir si vous heurtez l'armature ou si vous tombez sur les ressorts pendant que vous sautez ou pendant que vous montez ou descendez de la trampoline. Restez au centre de la toile de la trampoline lorsque vous sautez. Assurez-vous de conserver les coussinets de protection de l'armature en place pour recouvrir l'armature. Le coussin de protection de l'armature n'est pas fabriqué ou conçu pour soutenir le poids de l'utilisateur de la trampoline. Ne marchez pas ou ne sautez pas directement sur les coussins de protection de l'armature.

Perte de contrôle : Les utilisateurs qui perdent le contrôle de leurs sauts peuvent tomber incorrectement sur la toile, tomber sur l'armature ou les ressorts ou tomber hors de la trampoline. Un saut contrôlé est un saut où l'atterrissage se fait au même endroit que le décollage. Avant d'essayer une technique plus difficile, vous devriez être en mesure d'effectuer une autre technique à plusieurs reprises en gardant le contrôle. Essayer une technique qui demande un niveau supérieur de compétence augmente le risque de perte de contrôle. Pour reprendre le contrôle et interrompre votre saut, pliez vos genoux rapidement lorsque vous atterrissez.

Utilisation d'alcool ou de drogue : Le risque de blessure augmente lorsqu'un utilisateur consomme de l'alcool ou de la drogue. Ces substances affectent le temps de réaction, le jugement et la coordination.

Objets environnants : Sauter sur une trampoline pendant que d'autres personnes, des animaux ou des objets se trouvent sous celle-ci peut augmenter le risque de blessure. Sauter tout en tenant ou en ayant un objet sur la trampoline, plus particulièrement un objet tranchant ou cassable, peut augmenter le risque de blessure. Placer une trampoline trop près de câbles électriques aériens, de branches d'arbre ou d'autres objets peut augmenter le risque de blessure.

Mauvais entretien de la trampoline : Les utilisateurs peuvent se blesser si la trampoline est en mauvaise condition. Une toile déchirée, une armature pliée, un ressort brisé ou un coussin de protection manquant doivent être remplacés avant que quelqu'un saute sur la trampoline. Inspectez la trampoline avant chaque utilisation.

Conditions météorologiques : Une trampoline mouillée est trop glissante pour permettre une utilisation sécuritaire. Des vents violents ou forts peuvent faire perdre le contrôle aux utilisateurs. Pour réduire le risque de blessures, utilisez la trampoline uniquement lorsque la météo est favorable.

Accès : Pour prévenir l'accès à la trampoline par des enfants en jeune âge non supervisés, l'échelle d'accès offerte en option devrait toujours être retirée et rangée dans un endroit sûr lorsque la trampoline n'est pas utilisée.

INFORMATION DE SÉCURITÉ POUR L'ENCEINTE

IL EST NÉCESSAIRE D'ASSURER LA SÉCURITÉ DE L'ENCEINTE DE LA TRAMPOLINE EN UTILISANT CELLE-CI DE FAÇON SÉCURITAIRE

L'enceinte de la trampoline est un produit récréatif. L'information contenue sur cette page identifie les précautions de sécurité importantes. Les précautions ne comprennent pas toutes les situations puisque l'enceinte peut être utilisée de certaines façons que ce manuel ne couvre pas.

Afin de prévenir les pincements et les coupures durant l'utilisation de l'enceinte, un coussin de protection de l'armature doit être installé sur la trampoline (Voir les instructions du fabricant de la trampoline). Le coussin de protection de l'armature doit être placé sur la trampoline avant de monter l'enceinte. Le coussin de protection de l'armature réduit le risque de blessure suite à un contact accidentel avec les ressorts et l'armature.

UTILISATION DE L'ENCEINTE DE FAÇON SÉCURITAIRE

Supervision d'un adulte pour les enfants

Les enfants utilisant une trampoline disposant d'une enceinte doivent être supervisés par des adultes. Les jeunes enfants doivent avoir une supervision constante. Les adultes doivent porter une attention particulière :

- Aux objets que les enfants apportent dans l'enceinte.
- Aux activités des enfants à l'intérieur de l'enceinte.
- Aux conditions à l'intérieur de l'enceinte lorsque les enfants l'utilisent.
- La façon à laquelle les enfants entrent et sortent de l'enceinte.

Des détails supplémentaires relatifs à la sécurité à l'intérieur de l'enceinte sont décrits ci-dessous :

Risques d'électrocution associés avec l'armature de métal de la trampoline et de l'enceinte

La trampoline et l'armature de l'enceinte sont fabriquées d'acier galvanisé. Ils ne sont pas mis à la terre et sont conducteurs de l'électricité. Un risque d'électrocution est donc possible. Aucune lumière, aucun radiateur électrique, aucune rallonge ou aucun appareil électrique ménager ne doivent être sur la trampoline ou dans l'enceinte à aucun moment.

Risques associés avec l'entrée et la sortie de l'enceinte de la trampoline

Une enceinte de trampoline installée sur une trampoline est surélevée à partir du sol. La hauteur de l'enceinte augmente le risque de chute lorsqu'un utilisateur entre ou sort de l'enceinte. Les jeunes enfants, plus particulièrement, peuvent avoir de la difficulté à entrer et à sortir de l'enceinte. Afin de réduire le risque de chute, aidez toujours les jeunes enfants à entrer et à sortir de l'enceinte.

Entrez et sortez de l'enceinte de la trampoline seulement par la porte de l'enceinte (l'ouverture dans le filet). La toile de la trampoline et les parois en filet de l'enceinte sont des morceaux séparés. Aucun utilisateur, plus particulièrement les jeunes enfants, ne devrait jamais quitter l'enceinte en passant entre la toile de la trampoline et le filet. Essayer de sortir de cette façon pourrait entraîner un risque d'étouffement si l'utilisateur demeure coincé entre l'armature de la trampoline et les filets.

Le manque d'éclairage de l'enceinte augmente le risque de chute lorsqu'un utilisateur entre ou sort de l'enceinte. N'utilisez pas la trampoline si l'éclairage est inadéquat.

Risques associés avec les animaux, les objets tranchants ou cassants

Pour éviter les dommages à l'enceinte de la trampoline et à la trampoline, ne laissez pas d'animaux de compagnie à l'intérieur de l'enceinte. Les mâchoires et les dents des animaux peuvent endommager le filet. Ne sautez pas sur la trampoline en tenant ou en portant des objets tranchants ou cassants.

MÉTHODES DE PRÉVENTION DES ACCIDENTS

LE RÔLE DU SUPERVISEUR QUANT À LA PRÉVENTION DES ACCIDENTS

Il est de la responsabilité des superviseurs des utilisateurs de la trampoline de fournir une surveillance en toute connaissance et de façon mature. Ils doivent connaître et appliquer toutes les règles et tous les avertissements imprimés dans ce manuel afin de minimiser la possibilité d'accidents et de blessures. Ils doivent aviser les utilisateurs de ces règles. Durant les périodes où la supervision n'est pas disponible ou inadéquate, il est possible que vous deviez démonter la trampoline, la placer dans une zone sûre ou la protéger contre l'utilisation non autorisée. Une autre option à considérer est de couvrir la trampoline par une bâche qui peut être fixée à l'aide de verrous et de chaînes. Le superviseur a la responsabilité de s'assurer que l'encart des instructions de sécurité de la trampoline est affiché sur la trampoline et que les utilisateurs soient au courant de ces instructions.

LE RÔLE DE L'UTILISATEUR QUANT À LA PRÉVENTION DES ACCIDENTS

L'éducation de l'utilisateur est essentielle à sa sécurité. Les utilisateurs doivent apprendre tout d'abord à sauter légèrement ainsi que les positions de base pour l'atterrissage ainsi que les combinaisons avant de passer aux techniques intermédiaires. Les utilisateurs doivent comprendre qu'ils doivent maîtriser le « contrôle » avant de penser aux autres mouvements. Comprendre la progression adéquate des techniques de saut sur la trampoline est la première leçon. Passez en revue ce manuel pour apprendre les techniques de base pour utiliser la trampoline. Suivez les règles sur l'encart instructions de sécurité de la trampoline (voir l'étape [26] des instructions d'assemblage). Pour obtenir de plus amples informations ou d'autres renseignements concernant la formation, communiquez avec un instructeur de trampoline certifié.

INSTRUCTIONS DE SÉCURITÉ POUR LA TRAMPOLINE

Pour le superviseur

Lisez les instructions avant d'utiliser la trampoline. Appliquez toutes les règles de sécurité. Familiarisez-vous avec l'information contenue dans ce manuel de façon à pouvoir aider les nouveaux utilisateurs à apprendre les sauts de base et tous les utilisateurs à suivre les règles de sécurité. Tous les utilisateurs de la trampoline doivent être sous supervision d'un adulte ayant les connaissances de base, peu importe leur niveau de compétence ou leur âge. Cette trampoline n'est pas recommandée pour des enfants de moins de 6 ans. Inspectez la trampoline avant de l'utiliser. N'utilisez pas la trampoline sans que le coussin de protection de l'armature soit fixé pour couvrir l'armature. N'utilisez pas la trampoline lorsqu'elle est mouillée ou dans des conditions venteuses. Une toile de trampoline, des ressorts ou toute pièce d'armature usés ou endommagés doivent être remplacés immédiatement.

Sauts

Apprenez les sauts et les positions corporelles de base complètement avant d'essayer de développer des compétences plus évoluées. Apprenez à connaître vos propres limites lorsque vous exécutez des sauts sur la trampoline. Étudiez ce manuel de l'utilisateur pour apprendre comment exécuter les sauts de base. Arrêtez vos sauts en pliant les genoux au moment où vos pieds entrent en contact avec la toile de la trampoline. Apprenez cette technique avant d'en essayer d'autres.

RISQUES ASSOCIÉS AVEC LES VENTS VIOLENTS

Une trampoline avec une enceinte peut être déplacée ou renversée par des vents violents. Une personne se trouvant dans les environs ou à l'intérieur de l'enceinte peut être blessée si ceci se produit. Si des vents violents sont prévus, retirez le filet de l'enceinte et fixez l'armature de la trampoline au sol, ou déplacez la trampoline et l'enceinte dans un lieu protégé. La seule méthode pour protéger votre trampoline et son environnement lors de vents violents est de désassembler complètement l'unité et de la ranger à l'intérieur. Les dommages causés par le vent ou les intempéries ne sont pas garantis.

GARANTIE LIMITÉE

Skywalker Holdings, LLC garantit que ses produits sont libres de défauts de fabrication ou de main-d'œuvre dans le cadre d'une utilisation normale et selon les conditions de service. **Le cadre en acier est garanti pendant trois (3) ans après la date de l'achat. Les autres pièces sont garanties pendant un (1) an après la date de l'achat.** La couverture de la garantie s'applique uniquement à l'acheteur initial à partir de la date d'achat. Cette garantie est valide uniquement pour les produits concernés, lorsqu'utilisés dans un cadre résidentiel. Les produits utilisés pour une utilisation commerciale, comme les écoles et les garderies, ne seront pas couverts.

QU'EST-CE QUI N'EST PAS COUVERT?



Domage provoqué par les intempéries : La garantie ne couvre pas les dommages provoqués par les effets ou des actes de la nature, comme des tremblements de terre, des vents, des ouragans, des tornades, des éclairs, de la pluie, du feu, de la neige, une chaleur excessive et des températures froides et/ou l'endommagement par le soleil. Pendant les mois d'hiver, les matières souples de la trampoline doivent être enlevées et stockées dans un endroit sec, là où il n'y a pas de neige. Si vous ne les protégez pas pendant les mois d'hiver, certaines composantes comme les ressorts, la toile de la trampoline, les coussins de protection des ressorts et l'enceinte peuvent s'endommager et annuler la garantie.



Dégradation des couleurs et rouille : Nos produits sont complètement galvanisés. Skywalker n'offre aucune garantie contre la rouille ou la corrosion. Certaines régions peuvent présenter des conditions d'environnement plus salin, contenant un plus haut taux d'humidité, avec plus de pluie ou de neige. Skywalker n'offre aucune garantie contre la dégradation des couleurs. Nous suggérons aux clients d'utiliser un protecteur UV sur le coussin de protection de l'armature pour prolonger la vie du produit.



La perte ou les dommages du produit en raison de : **La perte ou les dommages pendant** la livraison ou provoqués par une utilisation inappropriée, à un usage inadéquat ou anormal ou à une réparation qui n'a pas été effectuée par un représentant autorisé ne sont pas couverts par la garantie et peuvent annuler la garantie.



Commander des pièces de remplacement : La garantie peut être annulée si des défauts ou des dommages sont associés à l'utilisation de pièces de remplacement non autorisées. Toutes les pièces de remplacement doivent être obtenues auprès d'un agent agréé.



Service d'assemblage : La garantie ne couvre pas les travaux ou les omissions lorsque le service d'assemblage est offert par un tiers. Le client est responsable de vérifier que toutes les composantes sont présentes et incluses dans les boîtes et qu'elles sont en bonnes conditions avant l'installation.

INSPECTION ET PIÈCES DE REMPLACEMENT :

1. Votre trampoline DOIT ÊTRE INSPECTÉE LORS DU DÉBALLAGE ET DE L'INSTALLATION ET APRÈS SUR UNE BASE RÉGULIÈRE. LES PIÈCES ENDOMMAGÉES, USÉES OU BRISÉES DOIVENT ÊTRE REMPLACÉES IMMÉDIATEMENT ET AVANT D'UTILISER LA TRAMPOLINE À NOUVEAU.
2. Appelez le service à la clientèle de Skywalker Trampoline au 1-866-603-5867 pour faire une réclamation sous garantie. Préparer les informations suivantes pour répondre aux questions du représentant : nom, adresse d'expédition, une copie de votre reçu d'achat, une brève description du problème et la cause, le numéro de modèle de la trampoline et le numéro de série. Nous pourrions aussi demander des photos des pièces endommagées ou défectueuses.
3. Après avoir examiné vos informations et vos photos, Skywalker Trampolines déterminera si cette pièce est couverte par cette garantie. Le cas échéant, une pièce de remplacement vous sera envoyée.

REMARQUE : Toute l'information demandée doit être donnée de manière à évaluer votre réclamation de garantie.

Pour commander des pièces de remplacement pour votre produit, veuillez visiter www.skywalkertrampolines.com

Skywalker Holdings, LLC, PO Box 574, Brigham City, UT 84302 États-Unis.

Imprimé en Chine © 2017 Skywalker Holdings, LLC

REMARQUE : SKYWALKER HOLDINGS, LLC N'EST PAS RESPONSABLE DES DOMMAGES INDIRECTS, PARTICULIERS OU CONSÉCUTIFS PROVENANT OU LIÉS À L'UTILISATION OU LA PERFORMANCE DU PRODUIT OU AUTRES DOMMAGES LIÉS À DES PERTES ÉCONOMIQUES, DES PERTES DE PROPRIÉTÉ, DES PERTES DE REVENUS OU DE PROFITS, DES PERTES DE JOUISSANCE OU D'UTILISATION, LES COÛTS LIÉS À L'ENLÈVEMENT, L'INSTALLATION OU AUTRES DOMMAGES CONSÉCUTIFS. CERTAINS ÉTATS OU PROVINCES NE PERMETTENT PAS L'EXCLUSION OU LA LIMITATION DES DOMMAGES ACCIDENTELS OU CONSÉCUTIFS. EN CONSÉQUENCE, IL EST POSSIBLE QUE LES LIMITATIONS MENTIONNÉES PRÉCÉDEMMENT NE S'APPLIQUENT PAS À VOUS.

LA GARANTIE ÉNONCÉE DANS LA PRÉSENTE REMPLACE TOUTE GARANTIE ET TOUTE GARANTIE IMPLICITE DE QUALITÉ MARCHANDE OU D'APTITUDE À UNE UTILISATION PARTICULIÈRE SE LIMITE À LA PORTÉE ET À LA DURÉE DES MODALITÉS DÉFINIES DANS LA PRÉSENTE. CERTAINS ÉTATS OU PAYS NE PERMETTENT PAS DE DÉTERMINER UNE ÉCHÉANCE AUX GARANTIES IMPLICITES. EN CONSÉQUENCE, IL EST POSSIBLE QUE LES LIMITATIONS MENTIONNÉES PRÉCÉDEMMENT NE S'APPLIQUENT PAS À VOUS. CETTE GARANTIE VOUS DONNE DES DROITS JURIDIQUES SPÉCIFIQUES. VOUS DISPOSEZ ÉGALEMENT D'AUTRES DROITS QUI VARIENT D'UN ÉTAT OU D'UN PAYS À L'AUTRE.

CETTE GARANTIE EST VALIDE UNIQUEMENT DANS LE PAYS OÙ LE PRODUIT A ÉTÉ ACHETÉ.