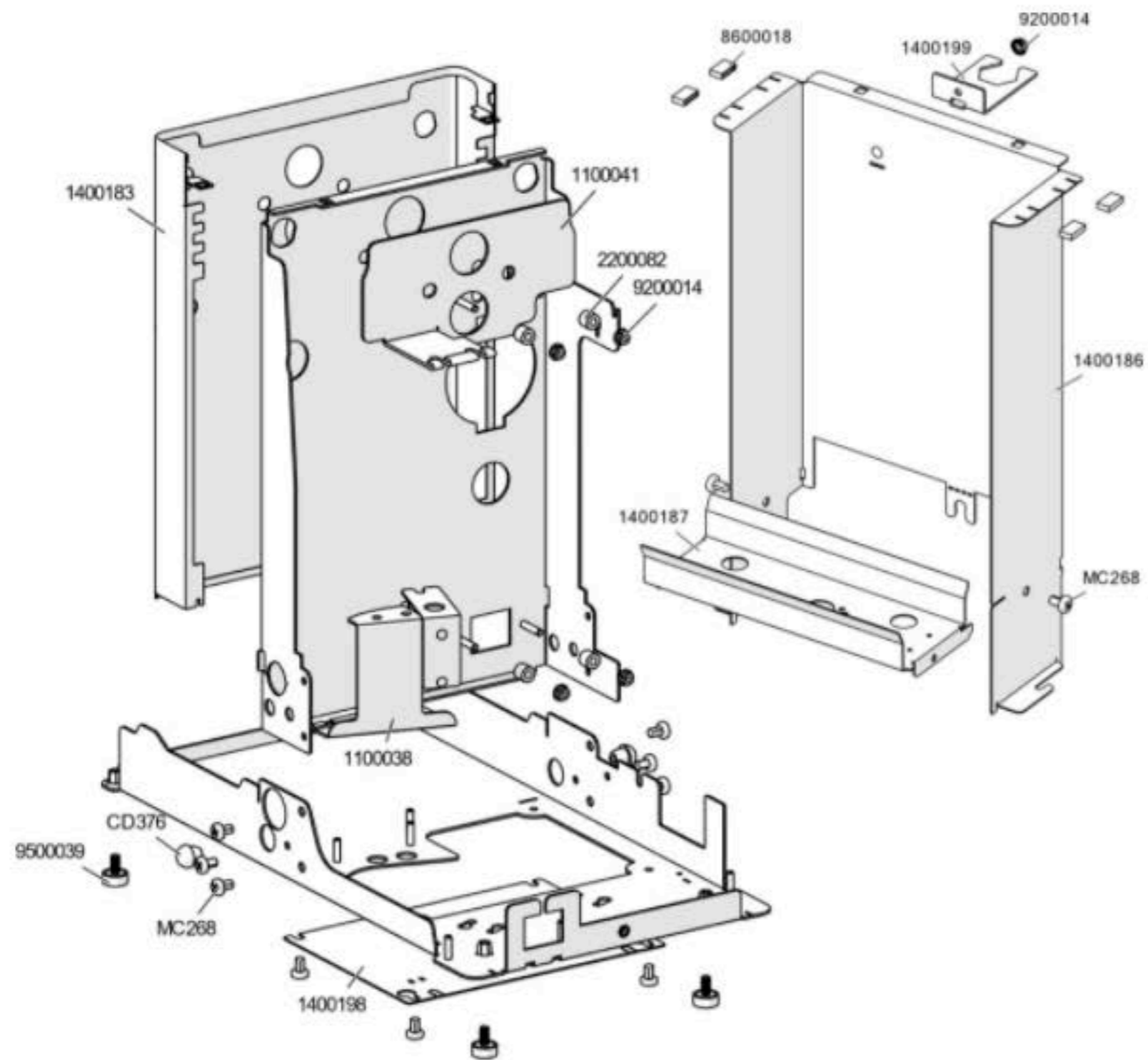





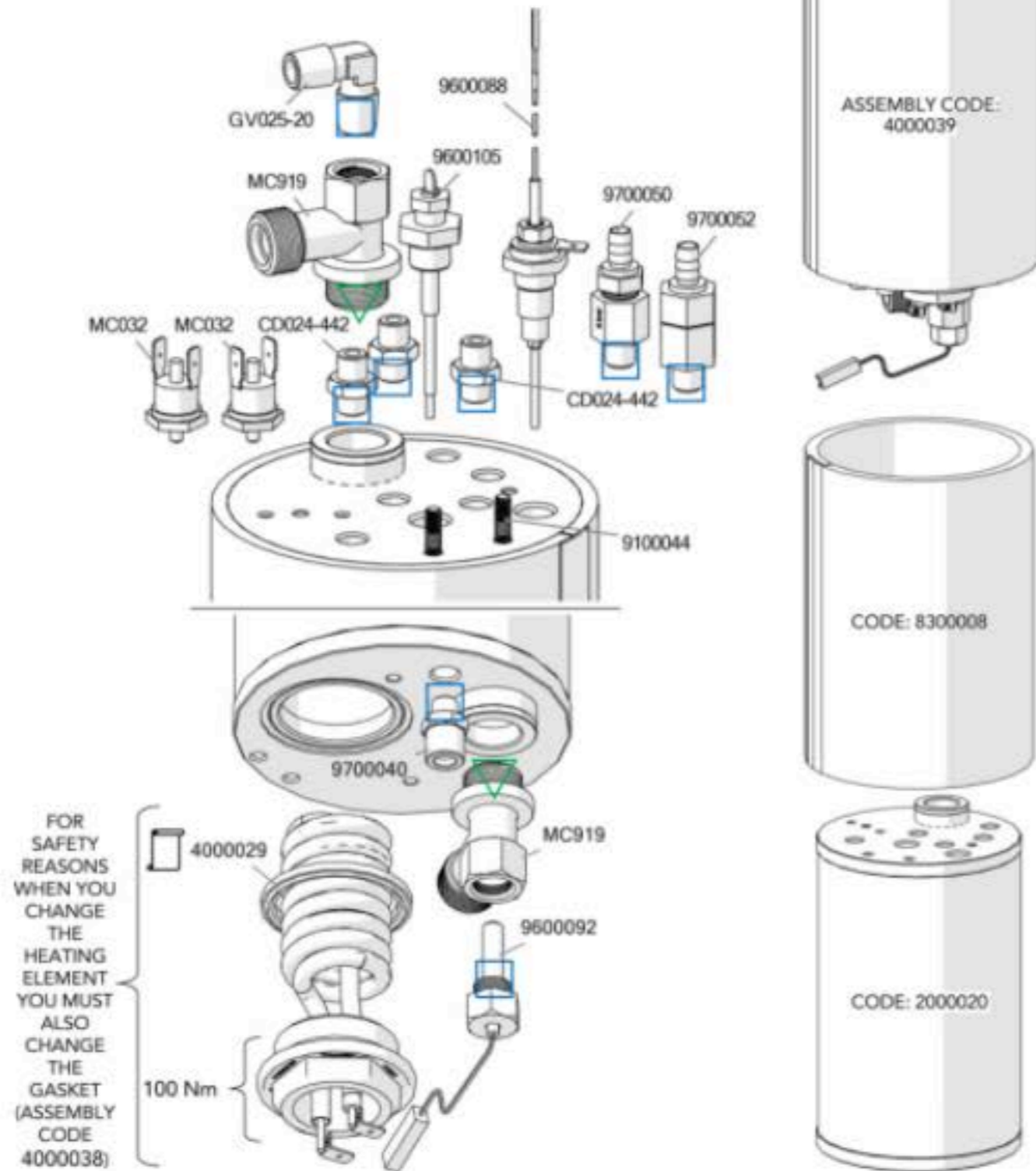
Cod 5410002 – REV01



SKU
1100038
1100041
1400183
1400186
1400187
1400198
1400199
2200082
8600018
9200014
9500039
CD376
MC268

Cod 5430002 – REV00

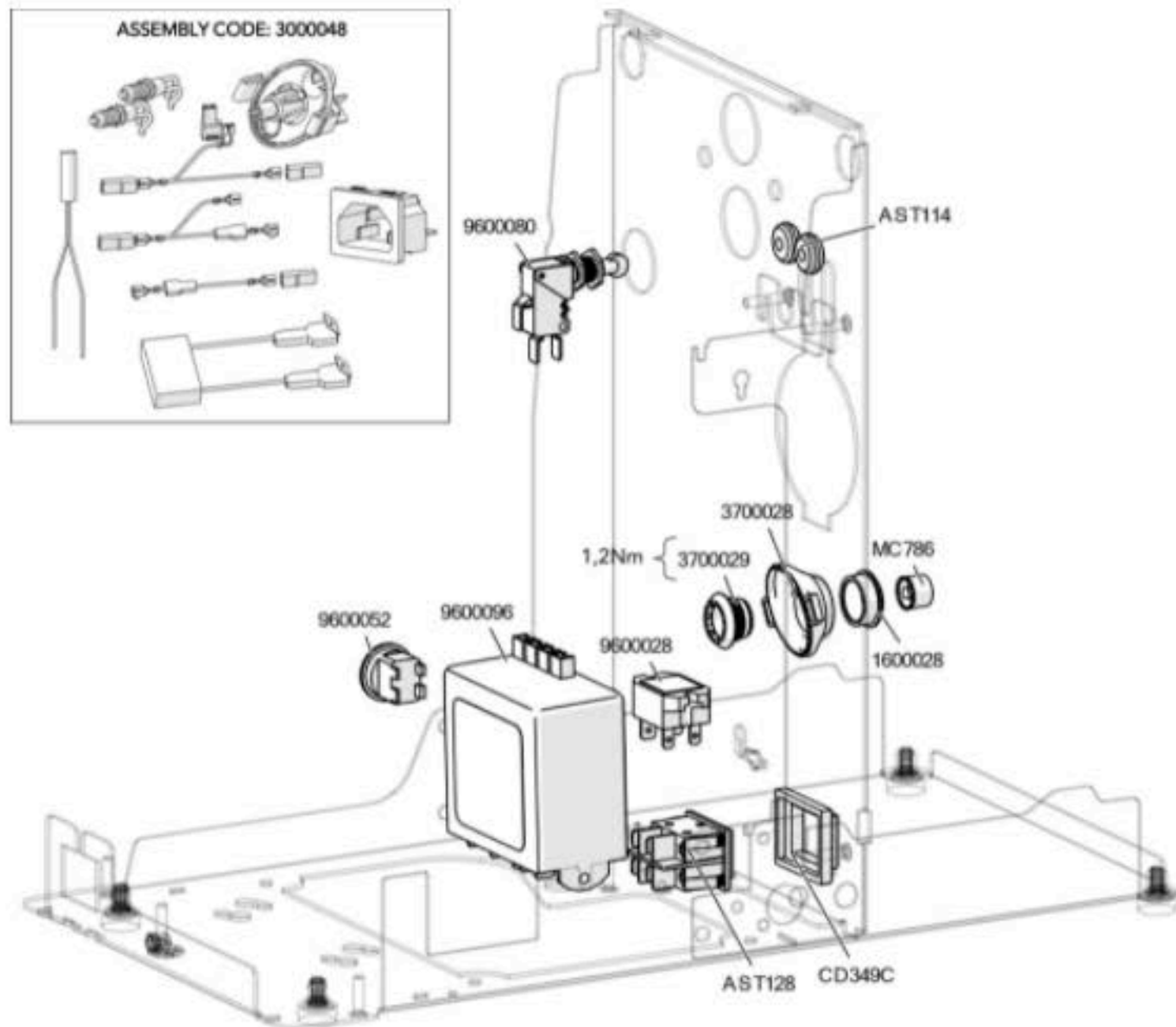
-  = use sealant Loxeal 85-86 (COD. 6000003)
-  = use sealant Loxeal 55-03 (COD. 6000011)
-  = code with related instructions



SKU
2000020
8300008
8700012
9100044
9600088
9600092
9600105
9700040
9700050
9700052
CD024-442
GV025-20
MC032
MC919
4000038
4000029
4000039

ATTENTION! As indicated in the diagram, the heating element must be screwed in at 100 Nm. Be sure you have the correct equipment to assemble the part before you buy it.

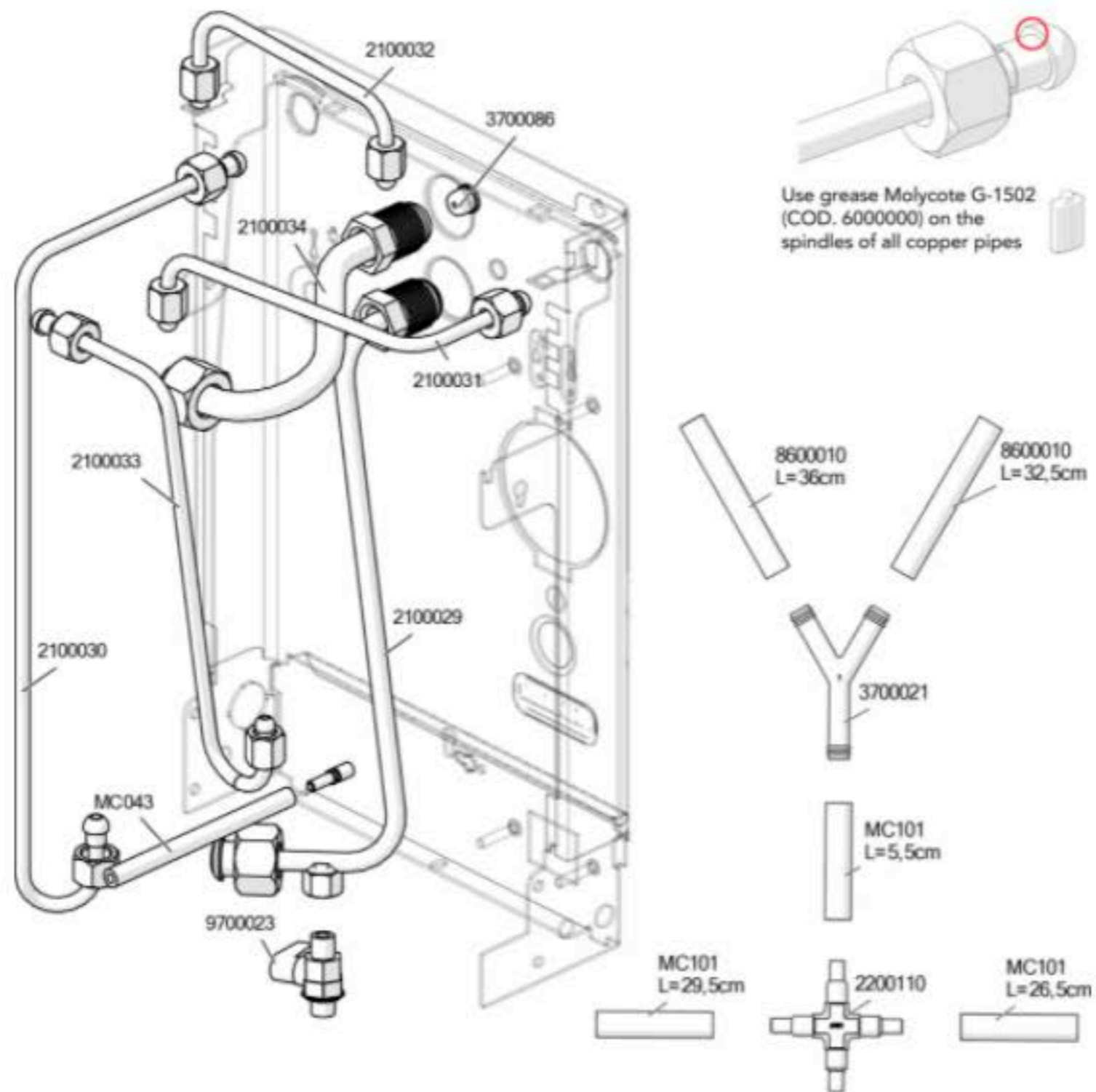
Cod 5420006 – REV00



SKU
1600028
3000048
3700028
3700029
9600028
9600052
9600080
9600096
AST114
AST128
CD349C
MC786

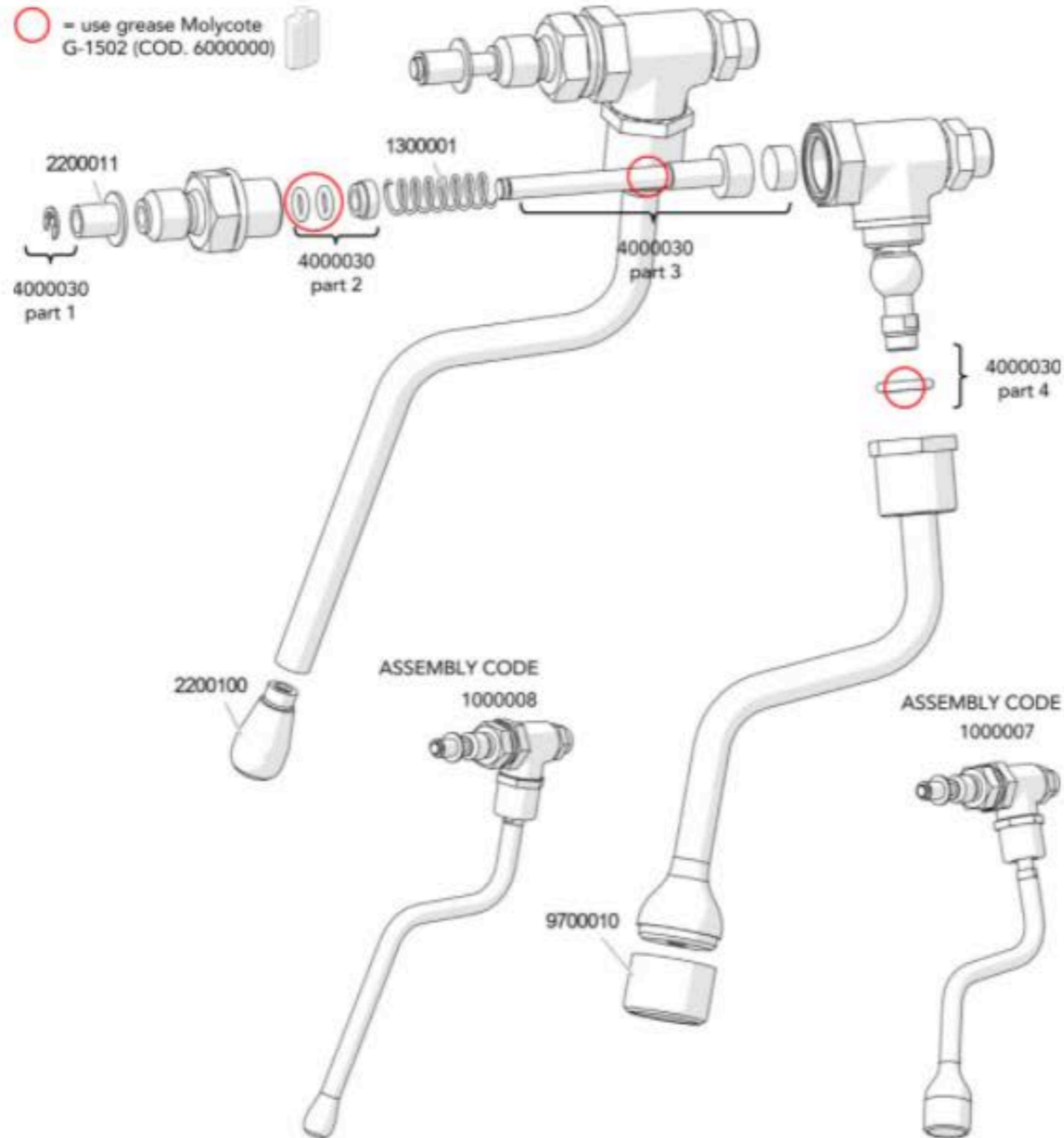
ATTENTION! As indicated in the parts diagram, the code 3700029 must be screw at 1,2 Nm!

Cod 5440005-A – REV00



SKU
2100029
2100030
2100031
2100032
2100033
2100034
2200110
3700021
3700086
8600010
9700023
MC043
MC101

Cod 5440005-B – REV01

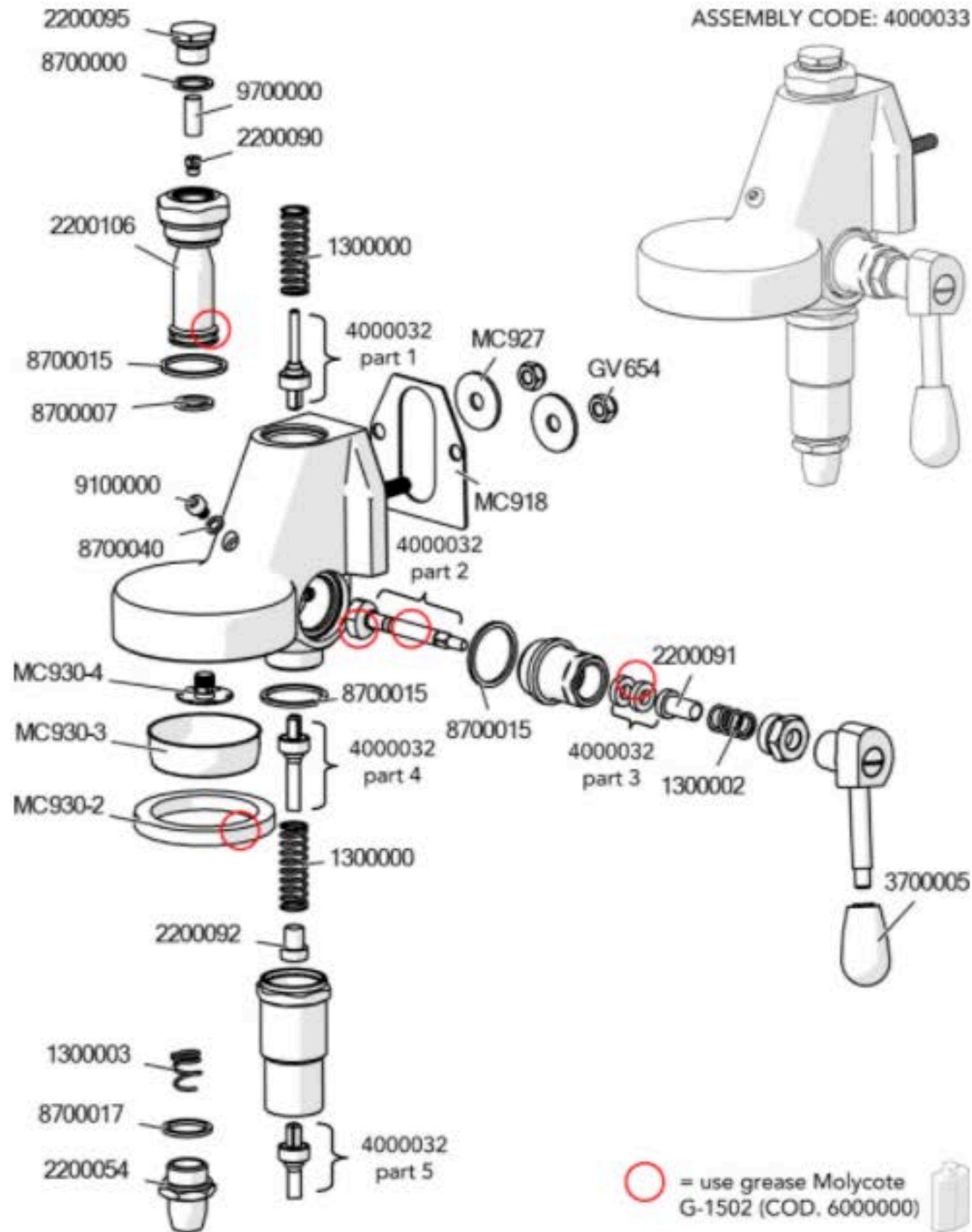




SKU
1000007
1000008
1300001
2200100
8700006
9700010
2200011
4000030

ATTENTION! The components enclosed in brackets are part of a reset kit for wand (code 4000030). They cannot be ordered individually like the other components, but you must buy the entire kit (part1 + part2 + part3 + part4). 1 kit contains the spare parts for 1 wand reset.

Cod 5440005-C – REV00

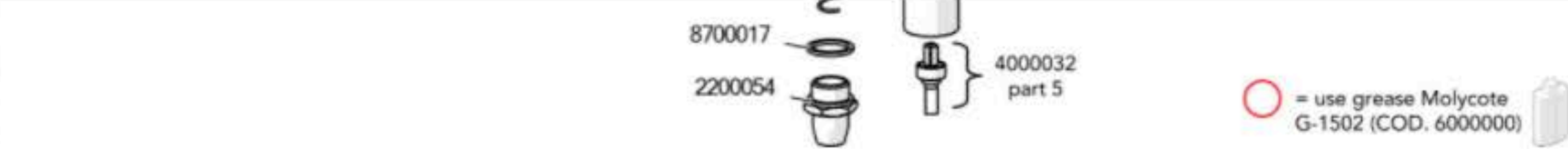
ASSEMBLY CODE: 4000033



 = use grease Molycote G-1502 (COD. 6000000) 

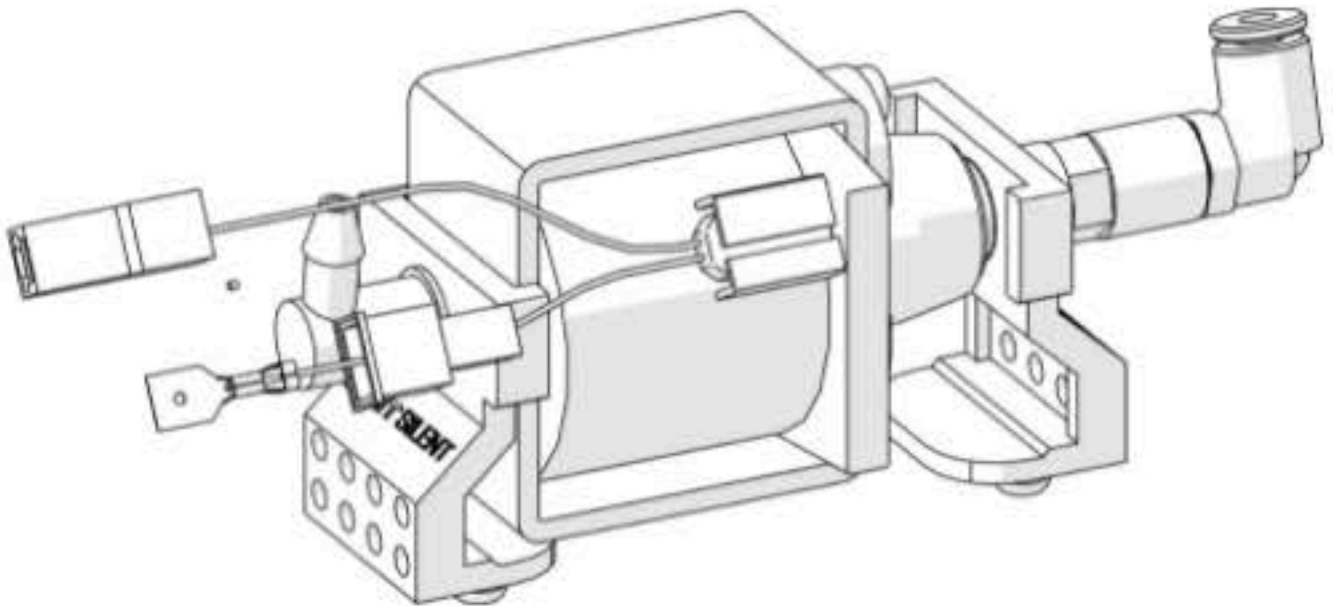
SKU
1300000
1300002
1300003
2200054
2200090
2200091
2200092
2200095
2200106
3700005
8700000
8700007
8700015
8700017
8700028
8700040
9100000
9700000
GV654
MC918
MC927
MC930-2
MC930-3
MC930-4
4000032
4000033

ATTENTION! The components enclosed in brackets are part of a reset kit for E6I (code 4000032). They cannot be ordered individually like the other components, but you must buy the entire kit (part1 + part2 + part3 + part4 + part5).



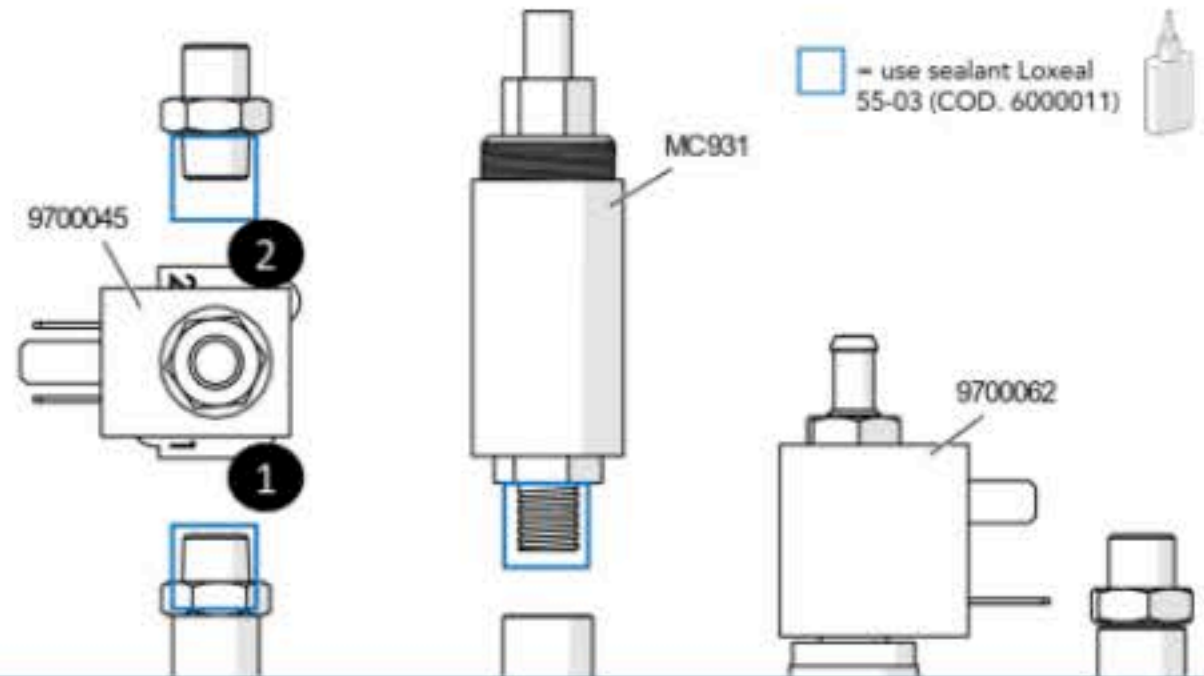
ATTENTION! The components enclosed in brackets are part of a reset kit for E61 (code 4000032). They cannot be ordered individually like the other components, but you must buy the entire kit (part1 + part2 + part3 + part4 + part5).

Cod 5450002 - REV00



SKU
4000040

Cod 5440009 - REV00

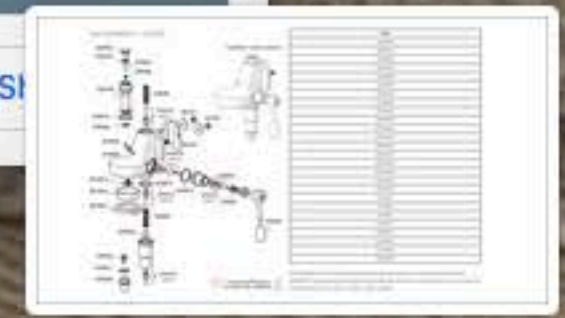
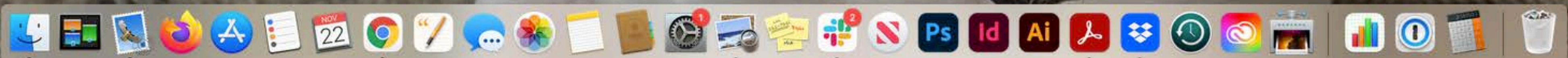


SKU
9700045
9700062
MC117-220
MC931
4000041

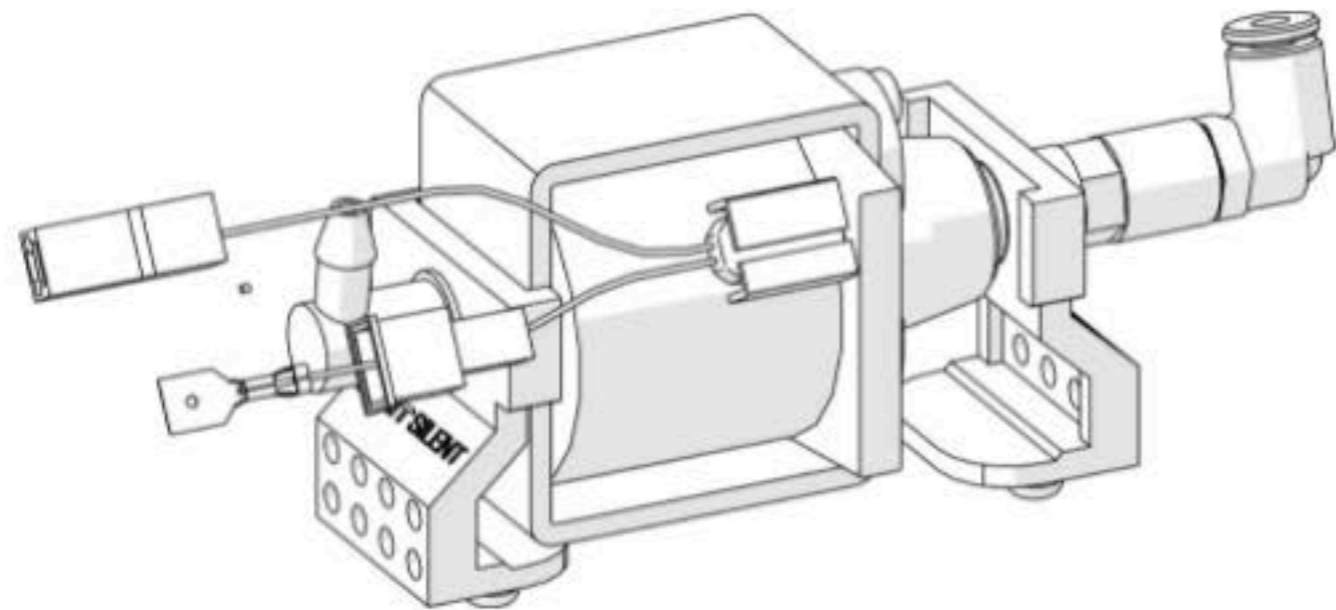
NB: Please pay attention to the numbers (1 and 2) marked on the body of the solenoid valves, and reassemble the valves following the direction indicated in the image.

ATTENTION! Holding the solenoid valves and the metal fittings in place during the assembly is a difficult operation for which special equipment and sealants are used. The fittings also have both conical and cylindrical threads. We recommend the purchase of the entire assembly code 4000041.

1st-line's response to COVID-19:

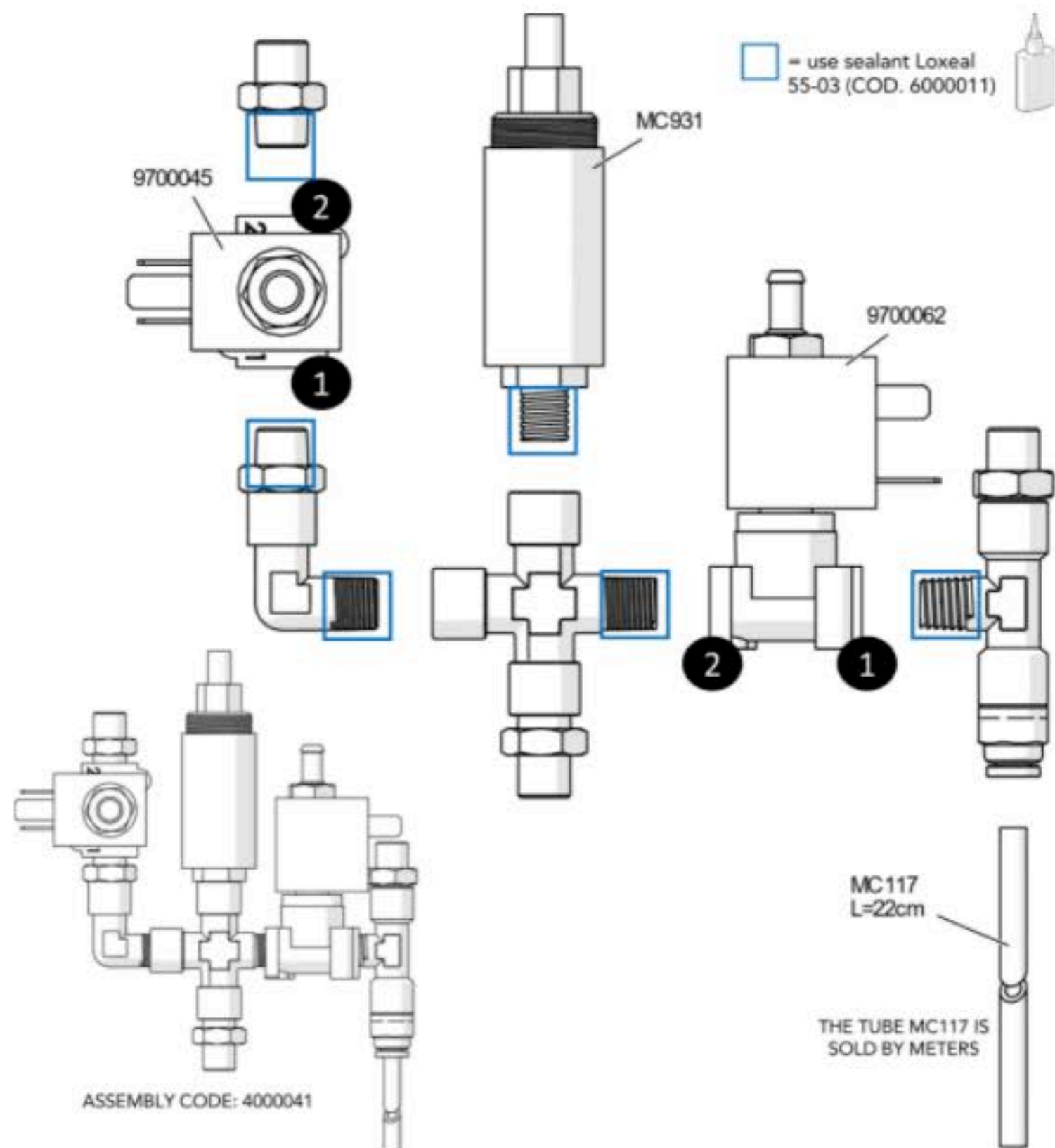


Cod 5450002 – REV00



SKU
4000040

Cod 5440009 – REV00

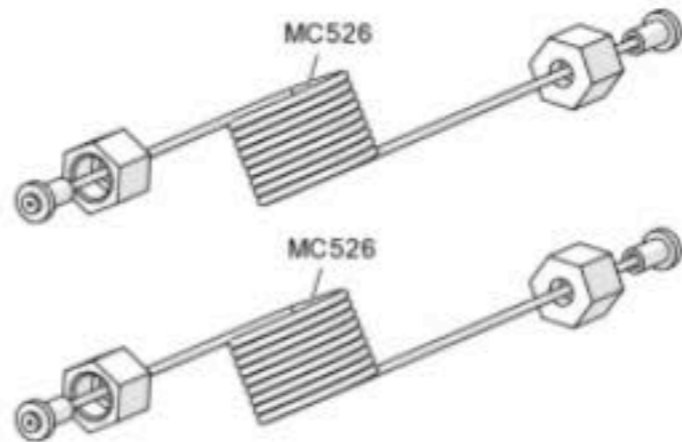


SKU
9700045
9700062
MC117-220
MC931
4000041

NB: Please pay attention to the numbers (1 and 2) marked on the body of the solenoid valves, and reassemble the valves following the direction indicated in the image.

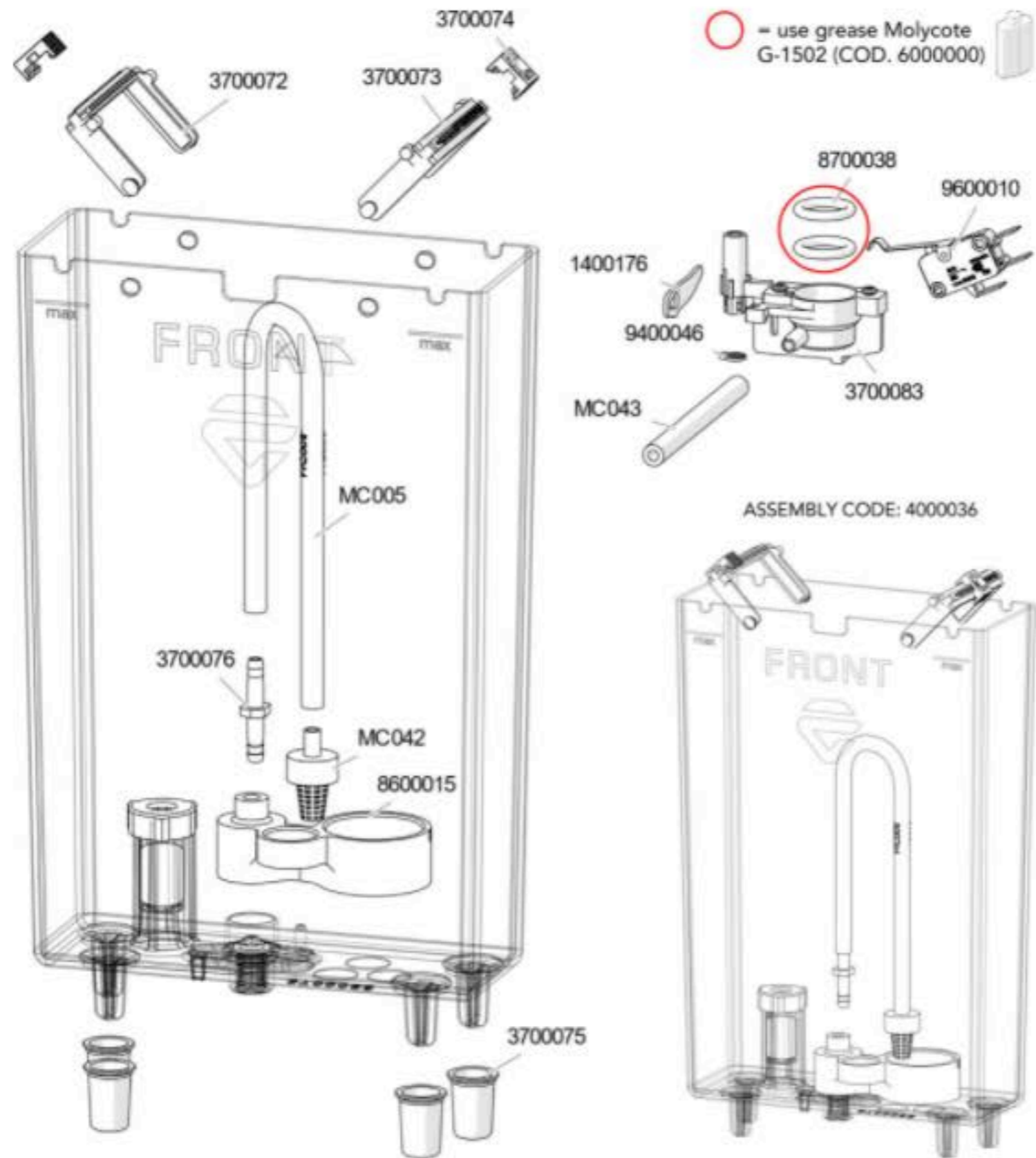
ATTENTION! Holding the solenoid valves and the metal fittings in place during the assembly is a difficult operation for which special equipment and sealants are used. The fittings also have both conical and cylindrical threads. We recommend the purchase of the entire assembly code 4000041.

Cod 5420007 – REV00

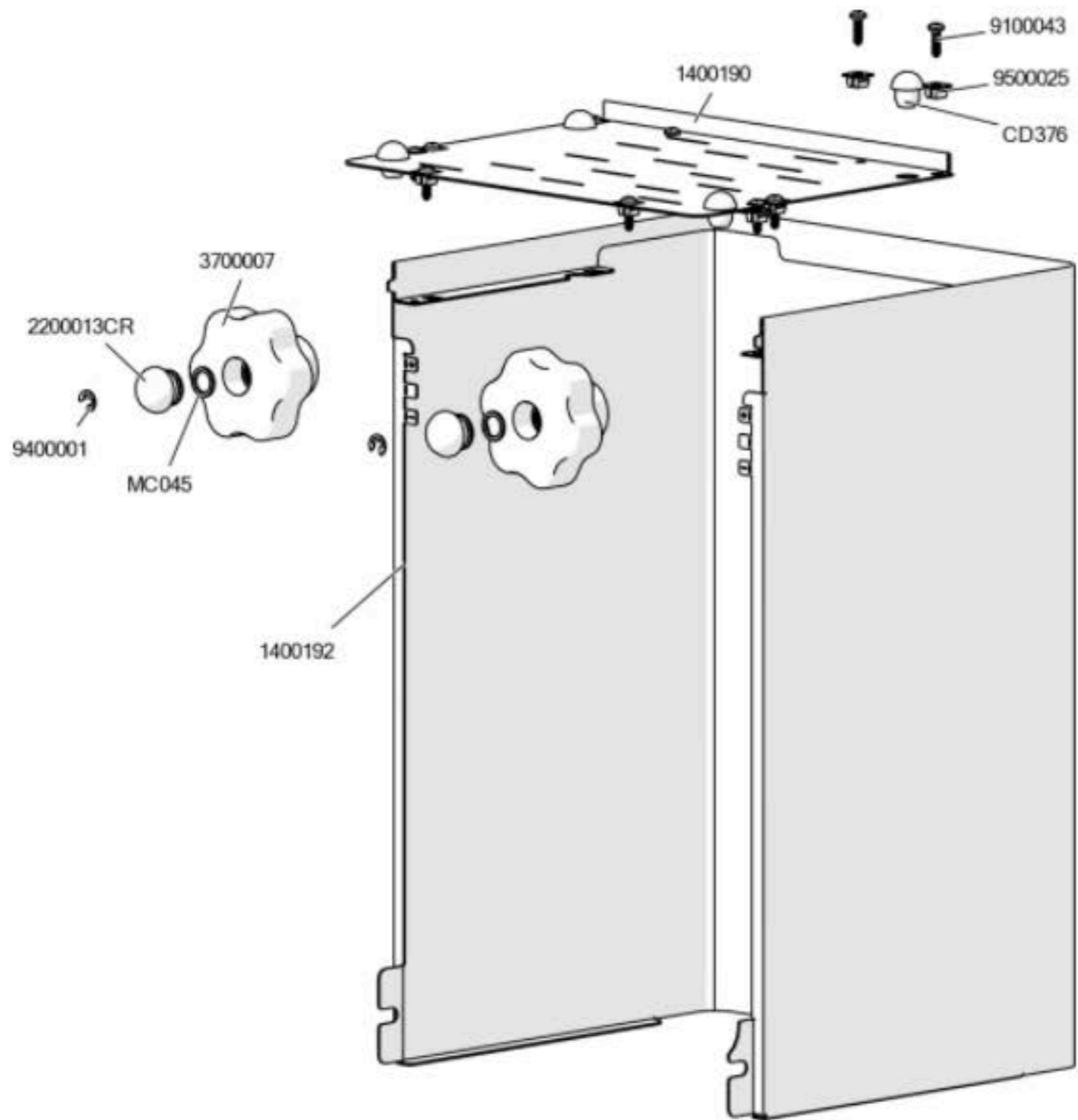


SKU
1100053
MC526
MC593

Cod 5440007 – REV01



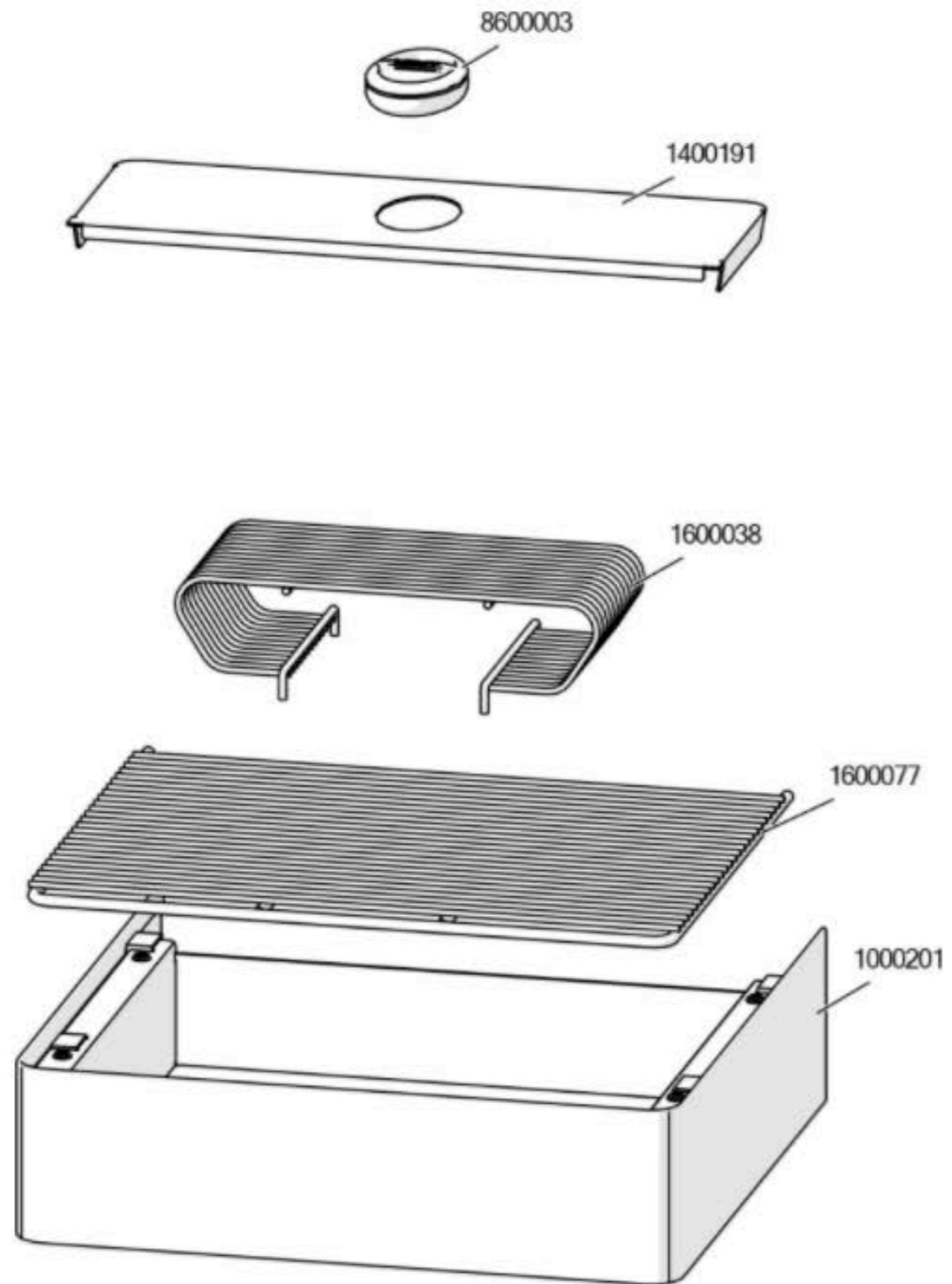
SKU
1400176
3700072
3700073
3700074
3700075
3700076
3700083
8600015
8700038
9400046
9600010
MC005
MC042
MC043
4000036 (similar)



SKU
1400190
1400192
3700007
9100043
9400001
9500025
2200013CR
CD376
MC045

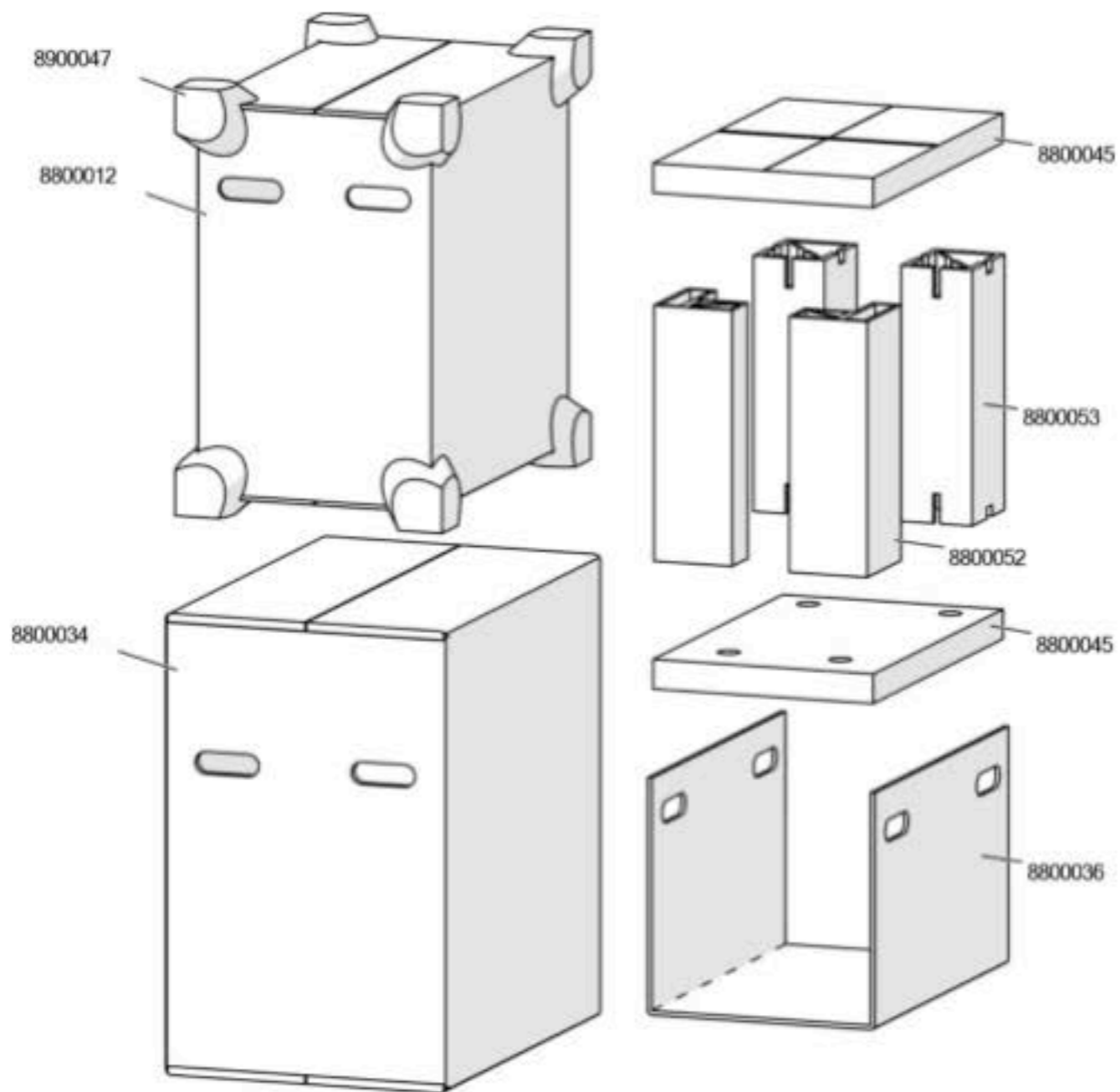
ATTENTION! When you're replacing the knobs on your machine, remember to deposit grease on the wand holder.

Cod 5480003 – REV00



SKU
1000201
1400191
1600038
1600077
8600003

Cod 5480002 – REV00

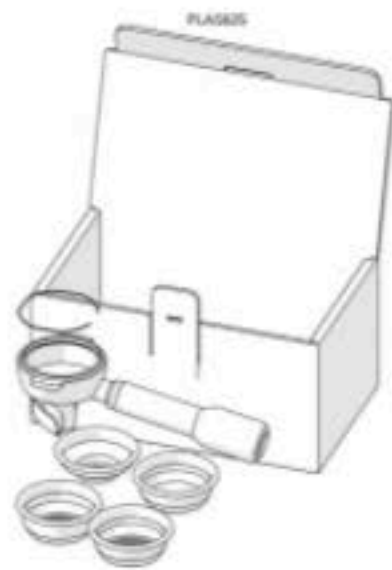
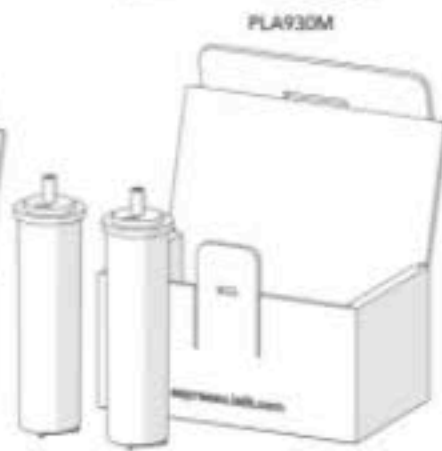


SKU
8800012
8800034
8800036
8800045
8800052
8800053
8900047

ATTENTION! The complete packaging includes the following codes and quantities:

- (1) 8800012
- (1) 8800034
- (1) 8800036
- (2) 8800045
- (2) 8800052
- (2) 8800053
- (8) 8900047

Cod 5490000/5490001 – REV00



SKU
PLA180S
PLA9201
PLA9203
PLA930S
PLA930M
PLA580S
PLA582S