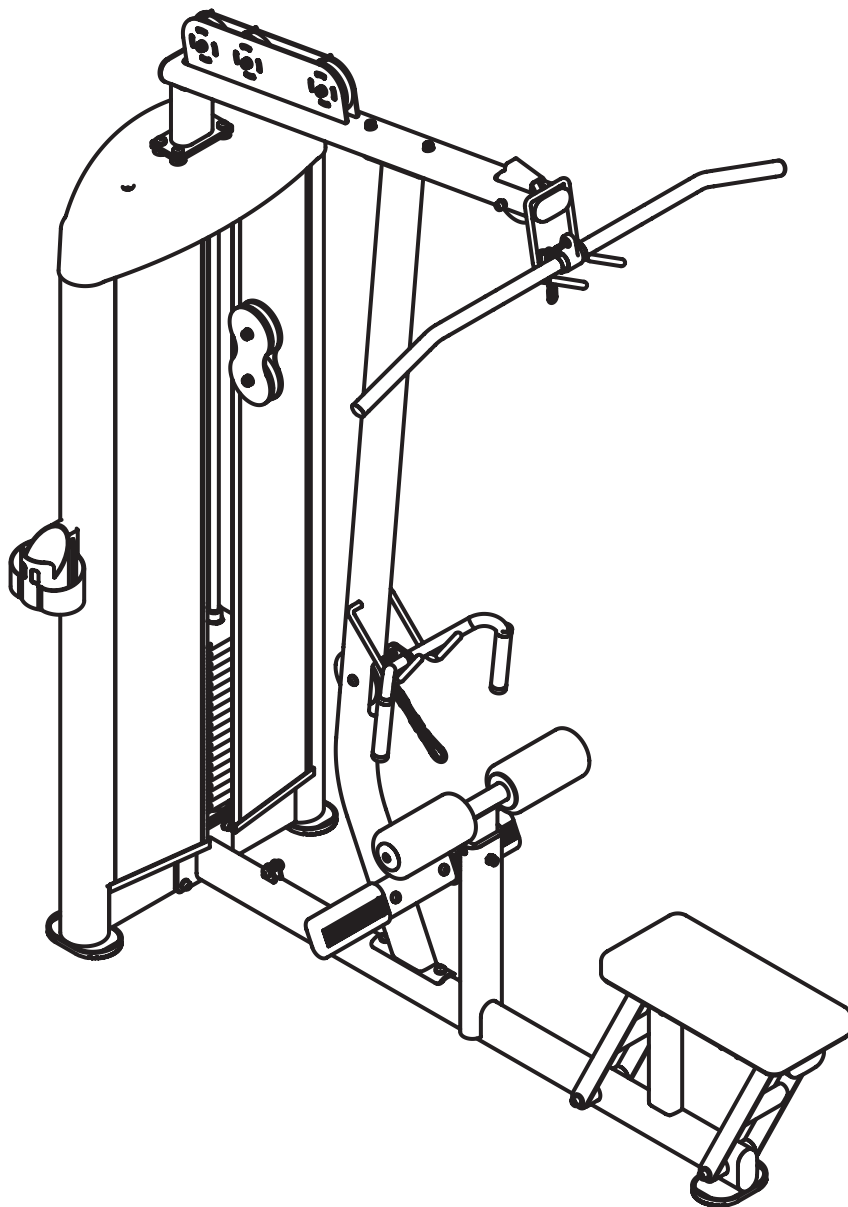


SelectORIZED Lat Pulldown/Seated Row

Owner's Manual



 **CAUTION**

Read all precautions and instructions in this manual before using this equipment. Keep this manual for future reference.

Table of contents

Content	
Important Safety Guidelines for Owners.....	3
Assembly Instructions.....	4
Parts List.....	5
Exploded Diagram.....	6
Assembly Guide.....	7
Cable.....	8
Weight Tower Frame Parts List.....	9
Weight Tower Frame Exploded Diagram.....	10
Weight Tower Frame Assembly Guide.....	11
Weight Tower Frame Cable.....	12
Daily Inspection.....	13
Week Inspection.....	14
Mouthly Inspection.....	15

Important Safety Guidelines for Owners

Follow these guidelines to maintain proper working condition of the equipment:

Important: Do not modify the equipment or any of its parts, or permanently remove any part from the equipment. Do not use accessory attachments that are not recommended by ours as such attachments might cause injuries.

- Qualified technicians must perform all regular maintenance.
- Make sure that trainers, facility personnel, and maintenance technicians understand how to use the equipment, know important safety guidelines, and can recognize potential problems such as a worn cable or cracked weld.
 - Strength training requires a significant focus by the facility and its staff to maintain the quality of the fitness environment. If possible, the facility should provide direct supervision of the fitness equipment at all times by people knowledgeable about the safe operation of the equipment and trained to recognize potential problems.
 - Make sure the equipment is stable and placed on a solid, level surface. The equipment is designed to be freestanding; however, equipment can be bolted to the floor for extra stability. Consult a qualified general contractor for proper fastening methods.
 - Make sure that the equipment is installed with enough free space for safe operation. With most equipment, the general rule is to allow about a 4-foot (1.2-meter) circle of space from the user's center. For Functional Training equipment, make sure that the operating space is large enough to allow the cables to be fully extended in all possible directions.
 - Place an "out-of-order" sign on the equipment during maintenance of the equipment or the surrounding area. Users should never be allowed to operate the equipment until it has been inspected and works properly. If a piece of equipment needs service, keep it out of use until repaired.
 - Whenever a weight can drop and hit a user, such as with an Olympic bench, We highly recommends that a helper or spotter be used.
 - Do not place the equipment outdoors or on wet surfaces.

Important Safety Instructions

Assembly Instructions

It takes about 60 minutes to assemble this equipment. If this is your first time doing this, allowing more time.

Be careful to open boxes and assemble components in the sequence presented in this manual.

Note: With so many assembled parts, proper alignment and adjustment is critical. While tightening the fasteners, be sure to leave room for adjustments.

Installation Requirement

- Unpack the boxes and assemble the equipment close to where you plan to use it.
- Locate equipment at least 40 inches (1 meter) away from any walls, furniture, or objects on all sides.
- While tightening the fasteners, be sure to leave room for adjustments, DO NOT fully tighten fasteners until instructed to do so.
- Set up and assemble the equipment on a solid, flat surface, so that it remains level and stable.
- DO NOT move the equipment without assistance.

Required Tools

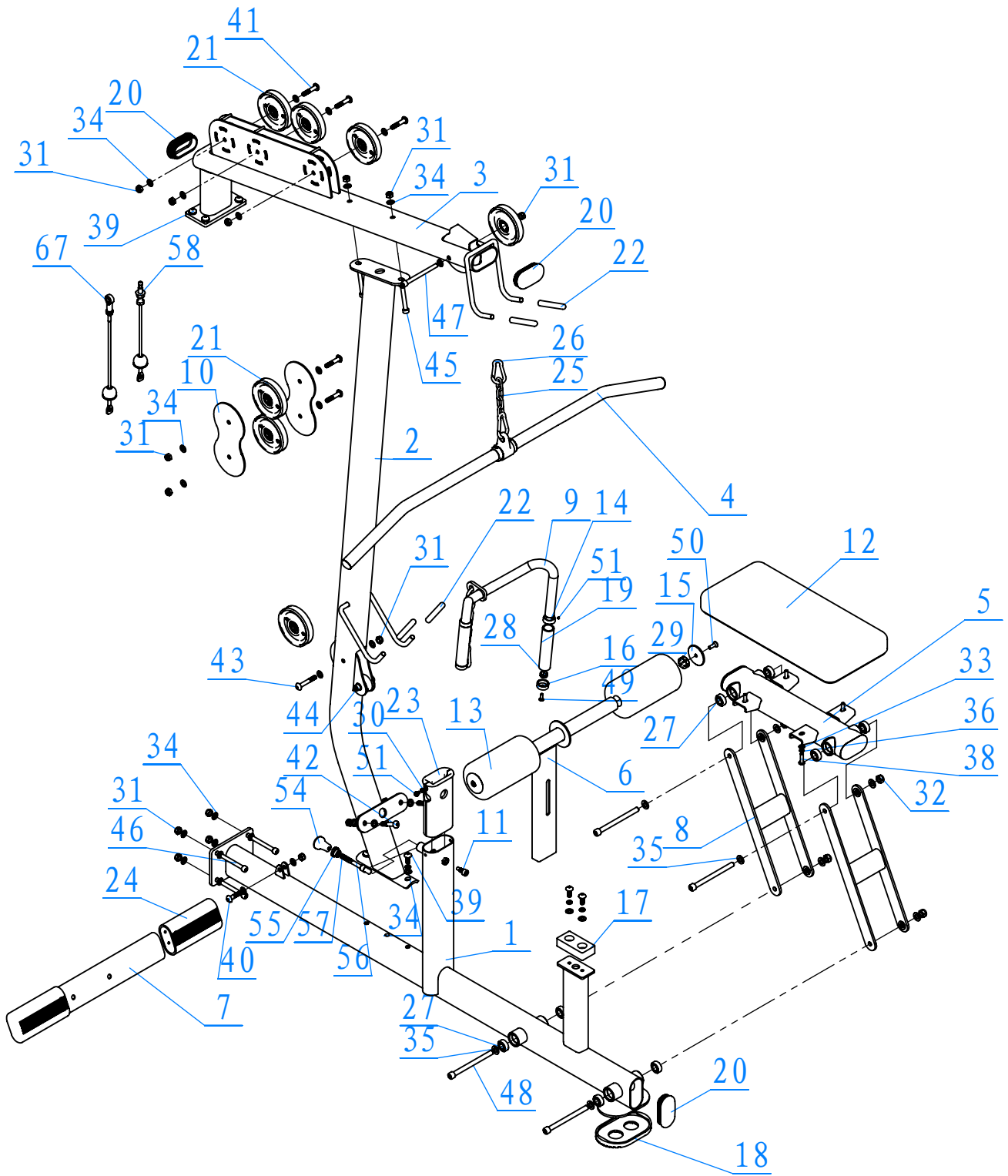
- Socket wrench sets, metric and standard, plus extensions
- Open-end wrench sets, metric and standard
- Hex wrench sets, metric and standard, plus extensions
- Box cutter
- Rubber mallet
- Retaining ring pliers - large, medium, and small
- Pliers - large, medium, and small

Important Safety Instructions

Parts List

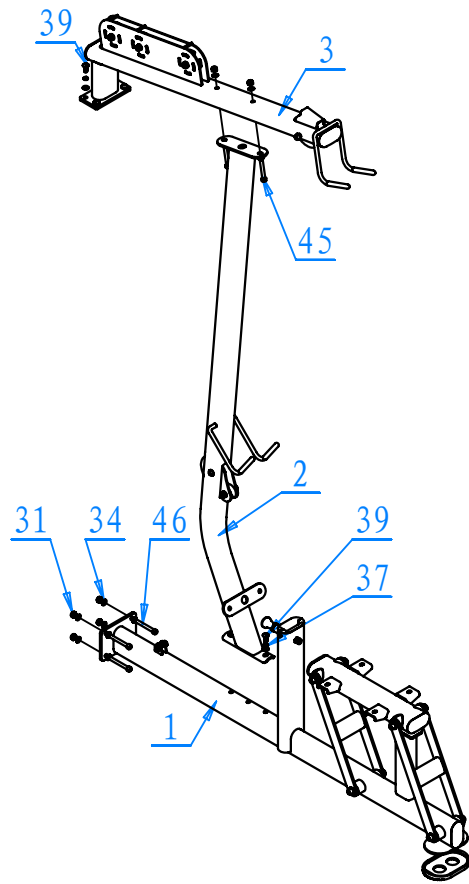
ITEM NO.	Description	SIZE	QTY	ITEM NO.	Description	SIZE	QTY
1	Main Rack		1	28	Spring Plate	φ20.9*9.8*M6	2
2	Support Rack		1	29	Spring Plate	φ33*14*M8	2
3	Support Rack		1	30	Nut	M6	2
4	Lat Pull Bar		1	31	Nylon Nut	M10	16
5	Pad Rack		1	32	Nylon Nut	M12	4
6	Adjusting Rack		1	33	Washier	φ16*φ8.4*1.6	4
7	Stepper Pipe	PT40*80*3*550	1	34	Washier	φ20*φ10.5*2	40
8	Adjusting Rack		2	35	Washier	φ24*φ13*2	8
9	Pull Handle		1	36	Spring Washier	M8	4
10	Pulley Plate	236*116*4	2	37	Spring Washier	M10	8
11	Stopper Bolt	M10*25	1	38	Bolt	M8*30	4
12	Seat Pad	240*520*60	1	39	Bolt	M10*25	8
13	Round Pad	φ110*φ39*200	2	40	Bolt	M10*40-25	1
14	Handle Ring	φ33*φ25.6*10	2	41	Bolt	M10*50-25	5
15	End Cap	φ60*φ8.5*8	2	42	Bolt	M10*60-25	2
16	Handle Cap	φ31.8*φ25.6*15	2	43	Bolt	M10*65-25	1
17	Bumper Pad	100*50*25	1	44	Bolt	M10*70-25	2
18	Foot Cover	180*120*16	1	45	Bolt	M10*85-25	4
19	Handle Sleeve	φ25*φ32*120	2	46	Bolt	M10*120-25	1
20	Pipe Plug	PT50*100*3	5	47	Bolt	M12*150-25	4
21	Pulley	φ114*25.4	7	48	Bolt	M6*20	2
22	Handle Sleeve	φ12.5*φ15*97	4	49	Bolt	M8*25	2
23	Bushing	PT50*100	1	50	Screw	M6*12	2
24	Foot Cover	PT40*80*180	2	51	Locking Screw	M4*3	8
25	Link Chain	φ6*9.4*110	2	52	Pull Pin		1
26	Hoist Hook	10*81*φ8	4	53	Cable		1
27	Bearing	φ32*φ12*10	8	54	Cable		1

Exploded Diagram

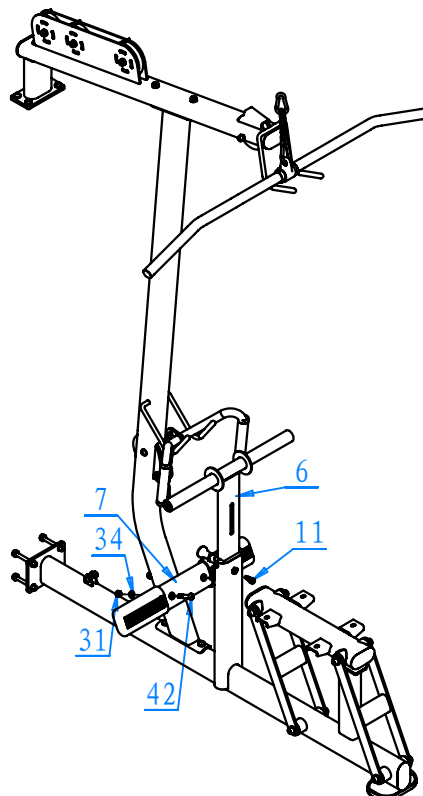


Assembly Guide

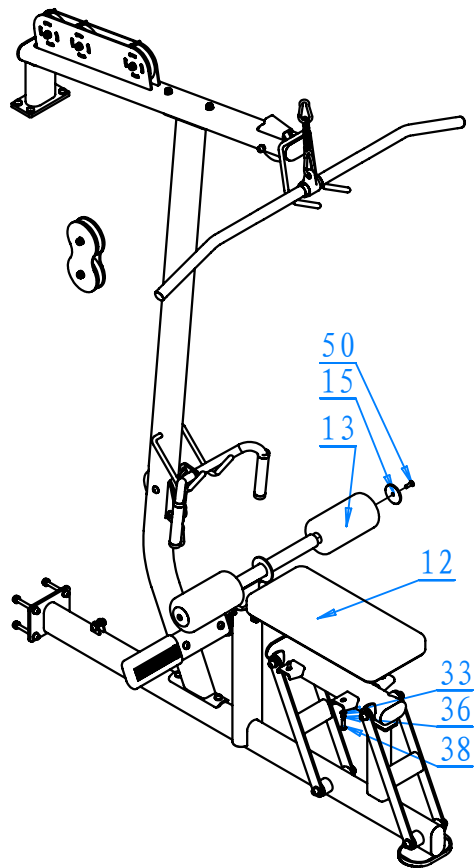
STEP 1



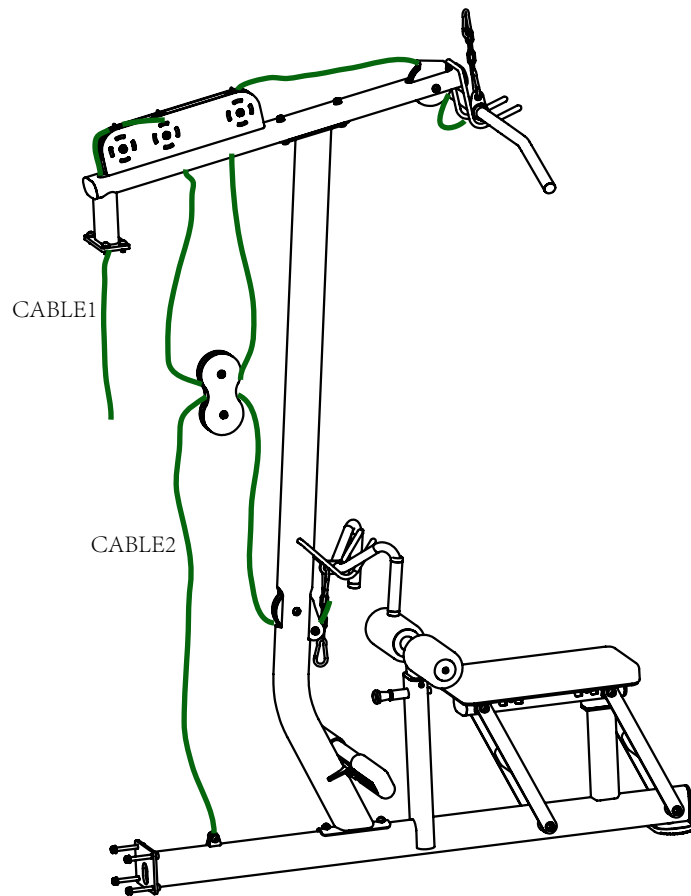
STEP 2



STEP3



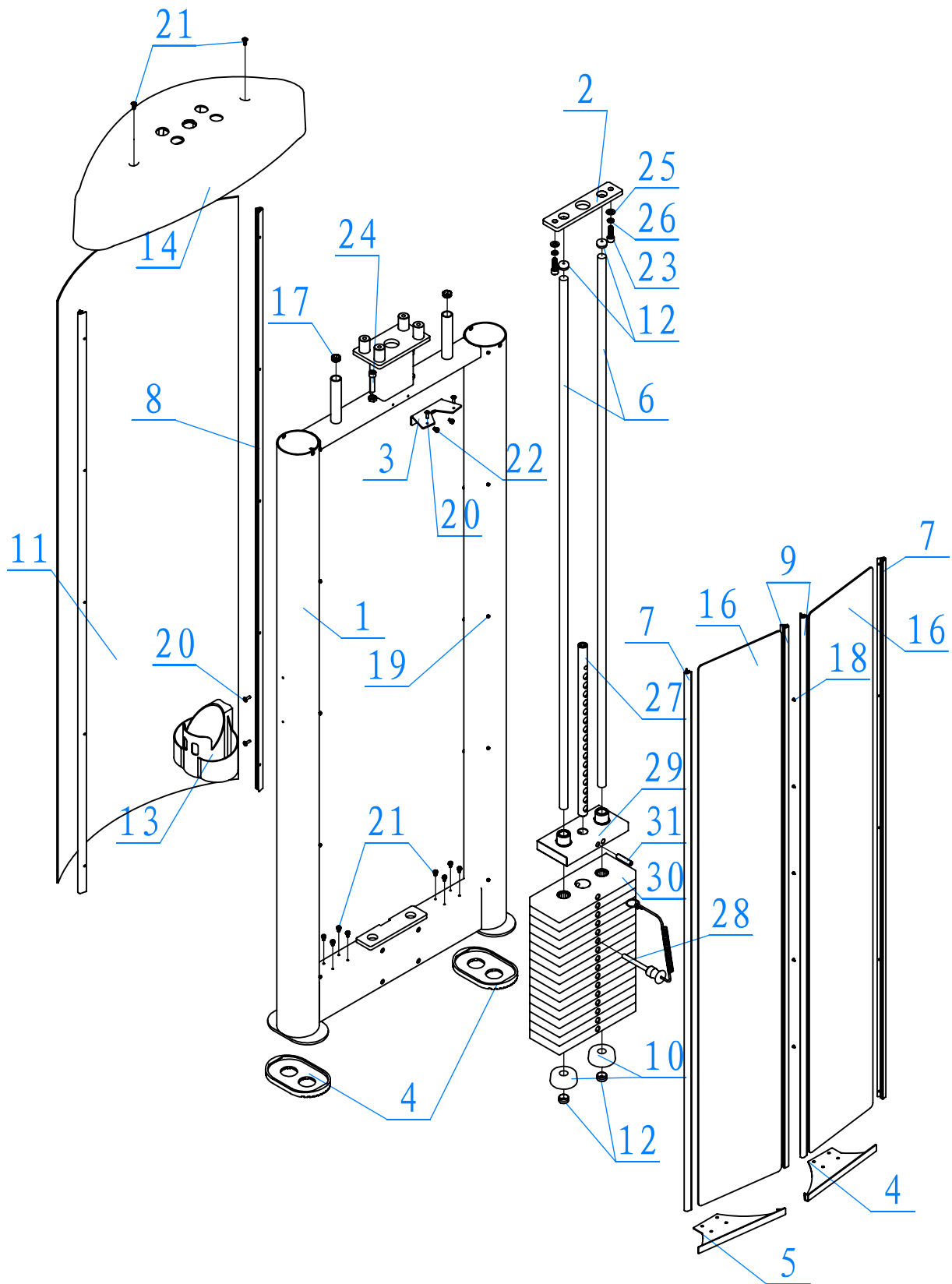
Cable



Weight Tower Frame Parts List

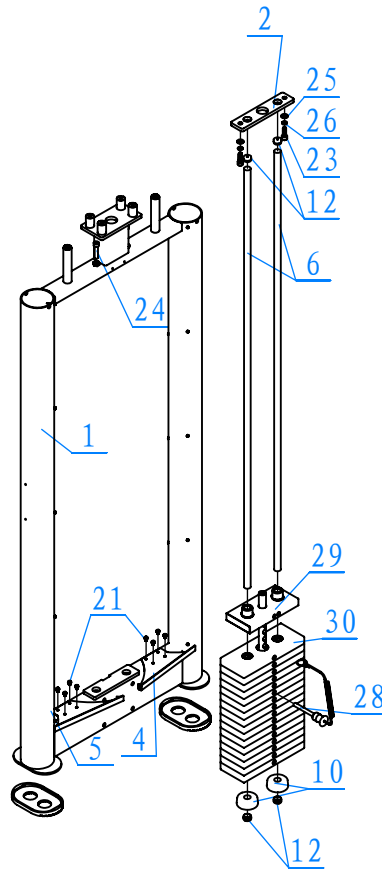
ITEM NO.	Description	PART NO.	SIZE	QTY
1	Side Frame	GRS16M03-01-00		1
2	Dead Plate	G101-001046	220*50*10	1
3	Shroud Fixed	G101-002235	128*60*27*3	1
4	Shroud Support	G101-002236	276*100*20*2	1
5	Shroud Support	G101-002237	276*100*20*2	1
6	Guide Rod	G102-000651	φ20*1523(-1)	2
7	edging	G107-000047	18.1*13.5*1550	2
8	edging	G107-000049	18.1*13.5*1670	2
9	edging	G107-000048	18.1*13.5*1556	2
10	Bumper	G201-000004	φ62*φ20*26	2
11	Foot Cover	G201-000005	180*120*16	2
12	End Cap	G202-000069	φ23*12	4
13	Bottle Holder	G202-000201	172*119*168.9	1
14	Top Cover	G202-000266	729*222*179	1
15	Shroud,Back	G202-000265	1678*632*3	1
16	Shroud,Front	G202-000264	246*1557*3	2
17	Nut, Spider	G506-MHTP20.9-6	φ20.9*M6	2
18	Screw	SP2.9-6ZN	M4*10	10
19	Screw	SP4.2-10ZN	M3*6	20
20	Screw	SDB5-15	M6*15	4
21	Screw	SDB6-15	M5*15	2
22	Bolt	SPZH5-10	M5*10	10
23	Bolt	YZN10-30	M10*45	2
24	Bolt	YZN10-45	M10*30	2
25	Washier	PD10	φ20*φ10.5*2	2
26	Spring Washier	TD10	M10	2
27	Weight Selector	G102-000925	φ22*492	1
28	Weight Pin	G306-000021	φ10*100	1
29	Top Weight	G306-000095		1
30	10 Pounds Weight	G306-000043		16
31	Roll Pin	G506-TYX10-45B	φ10*45	1

Weight Tower Frame Exploded Diagram

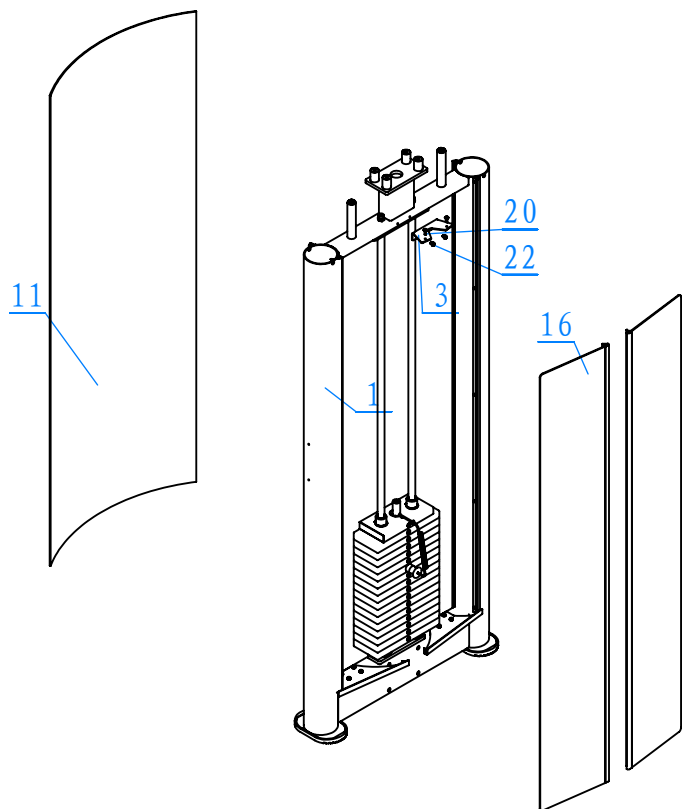


Weight Tower Frame Assembly Guide

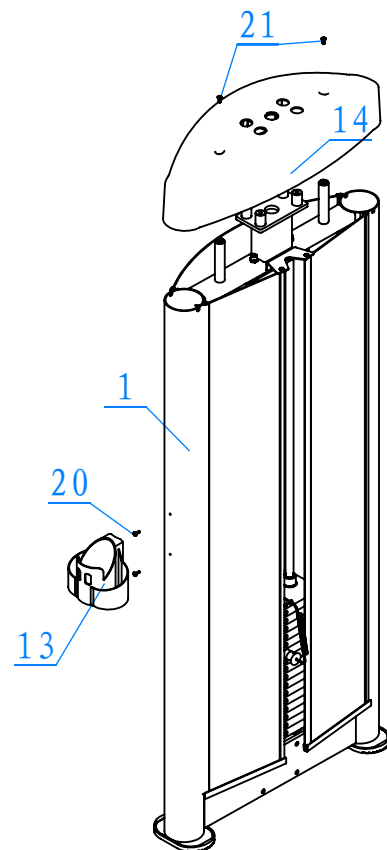
STEP 1



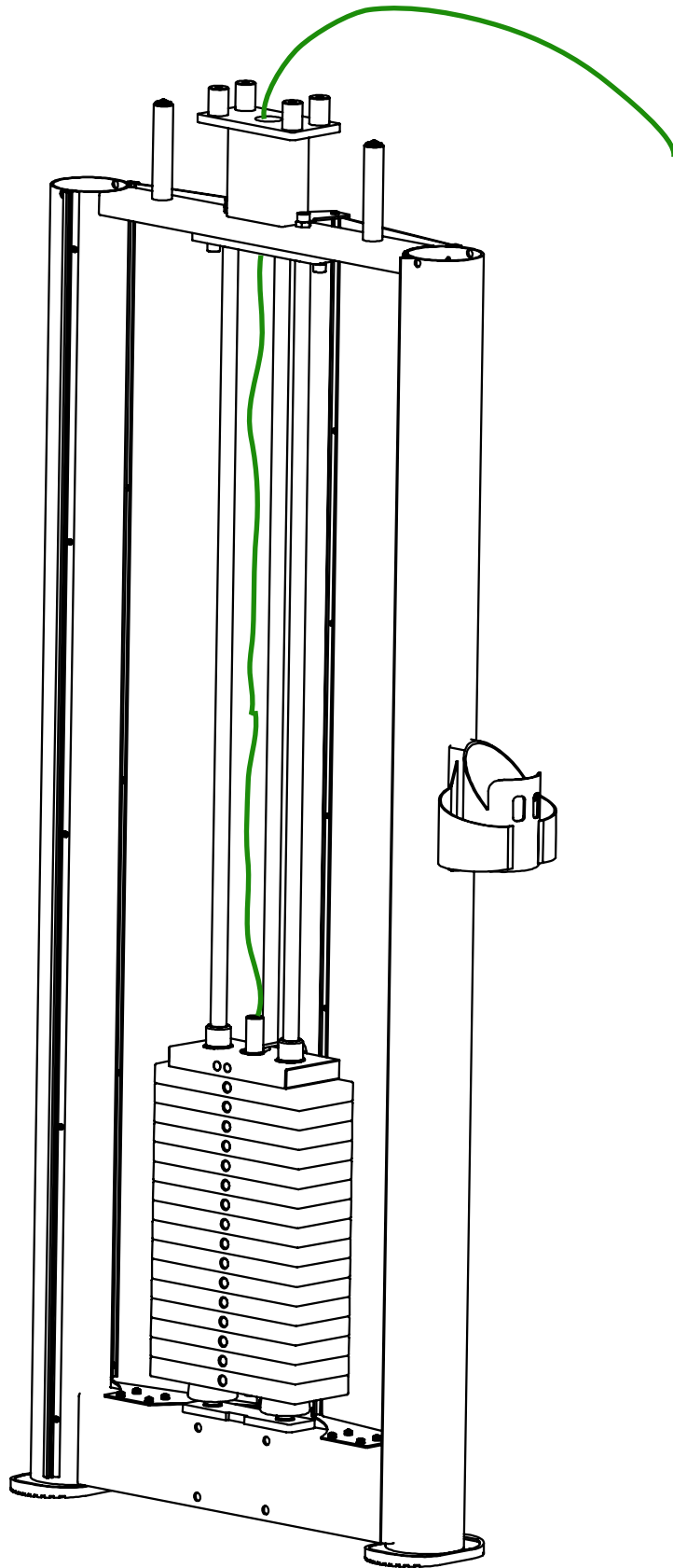
STEP 2



STEP 3



Weight Tower Frame Cable



Daily Inspection

This section covers the tasks you should do each week to maintain the equipment. Choose the appropriate tasks for your equipment, depending on what you are maintaining:

- Condition and deep clean upholstery.
- Clean and lubricate cable rod ends.
- Clean and lubricate guide rods.
- Inspect cables, connections, and tension.
- Inspect cable handle attachments.
- Inspect pulleys.
- Inspect each weight stack and selector pin.
- Inspect and lubricate bearings and bushings.
- Check seat adjustment and test pop pins.

Clean and Lubricate Cable Rod Ends

Check cable rod ends to ensure the shoulder bolt is secure. If cable rod ends are noisy, you can lubricate them with a silicone spray lubricant . Spray the lubricant onto the joint where the spherical portion is enclosed in the outer housing . Wipe off any excess lubricant with a rag.

Clean and Lubricate Guide Rods

Inspect the exposed areas of the guide rods for cleanliness. Using a dry cloth, wipe any buildup of dirt or grease from the rods.

Lubricate the exposed areas of the guide rods by applying a light coat of a silicone spray lubricant. Spray the silicone lubricant on a rag and then wipe the guide rods with the rag. Be careful with any lubricant spray; it can stain carpet and clothing.

CAUTION: Do not attempt to lubricate the guide rods when the equipment is in use. Attempting to lubricate between the weight plates without completely disassembling the stack will result in serious injury.

Important: Do not use petroleum-based lubricants or motor oil.

These lubricants tend to cause a rapid buildup of dirt and hair on the weight plates, which can cause the plates to stick together.

Week Inspection

You will need to do the following tasks each day to maintain the equipment and keep it operating smoothly and safely.

Each of these tasks is covered in this section. You should perform those tasks that are appropriate for the equipment you are maintaining, and skip those tasks that do not apply.

- Inspect cables and end connections for wear.
- Clean and inspect equipment frames.
- Check warning labels and Instruction placards for readability.
- Clean any upholstery on the equipment.
- Inspect pads for wear.

Clean Upholstery

Clean upholstery daily with a mild soap and water solution in a spray bottle. Lightly spray upholstered surfaces and wipe dry with a clean cloth. Cleaning upholstery daily removes surface dirt and perspiration.

Important: To clean the upholstery, do not use cleaning products that have any of these ingredients: solvents, alcohol, ammonia, and petroleum. Use a mild detergent-based cleaner instead.

Inspect Pads for Wear

Inspect pads for cracks in the upholstery, loose staples, and loose mounting bolts. Replace pads as needed (refer to Obtaining Service to purchase new pads).

Clean and Inspect Frames

Clean frames daily with a mild soap and water solution in a spray bottle. Wipe the equipment down with a damp cloth and dry completely. Be sure to wipe down both painted parts and chrome parts. Cleaning frames daily removes any grease and dirt.

For chrome parts, use a commercial chrome cleaner to restore and maintain the luster.

As you clean, inspect the frames for cracks, rust, or other damage. Make sure welds are solid and fasteners are properly secured.

Monthly Inspection

Each month, the following tasks should be performed to maintain the equipment. Choose the appropriate tasks based on what you are maintaining.

- Inspect frames and movement arms.
- Lubricate pop pins.
- Check and lubricate ratcheting seat lever
- Inspect all fasteners.

Inspect Frames and Movement Arms

Inspect frames and movement arms monthly for proper function and integrity. Check for cracks, chipped paint, or rust.

Touch up dings and chips in the paint as needed. Replace any component at first signs of wear. Inspect frames for cracks particularly at the joints. If any cracks are found, immediately take the equipment out of service, and repair it using a qualified maintenance technician. Refer to Important Safety Guidelines and Obtaining Service).

To remove surface rust from the frame, rub lightly with a fine wet/dry sand paper or fine steel wool. Maintain paint luster with an application of a mild automotive wax product.

To maintain the powder coated and chrome parts, use a mild detergent-based cleaner for light dirt and grime removal.

For removing heavier dirt and grease and for polishing, use a good car polish. For scuffs and marks that are not removed by the above methods, use a soft scrub cleanser. Do not use solvents, lacquer thinner, acetone, or finger nail polish remover.

