

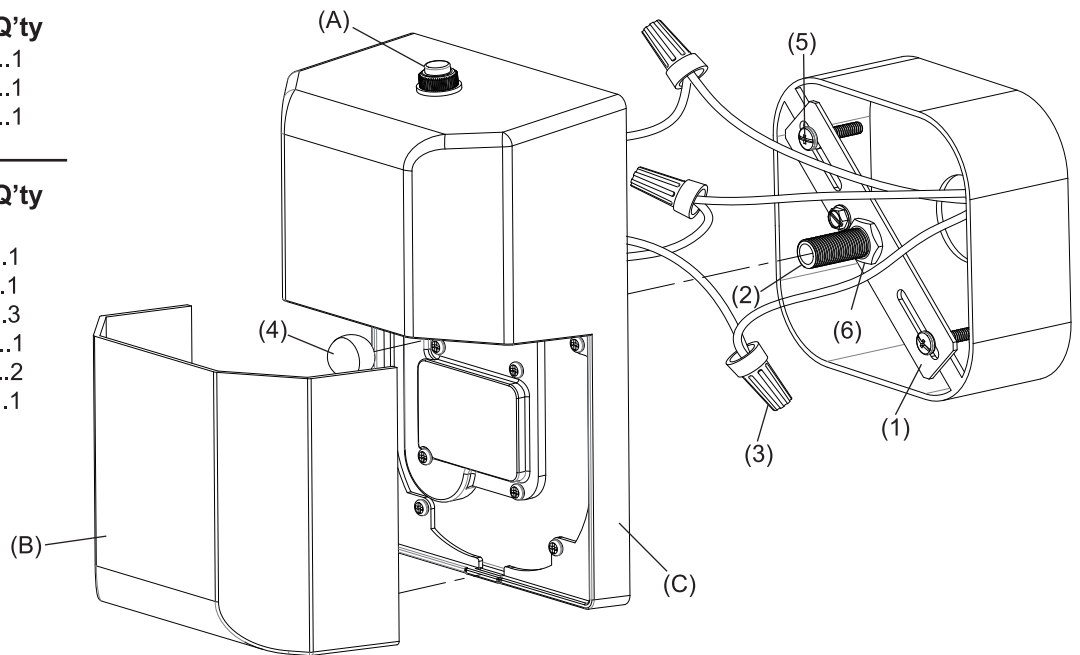
LED WALL LIGHT - IMPORTANT SAFETY INSTRUCTIONS

PACKAGE CONTENTS Q'ty

(A) Photocontrol.....	1
(B) Diffuser.....	1
(C) Fixture.....	1

HARDWARE CONTENTS Q'ty

(1) Mounting Bracket.....	1
(2) Threaded Coupler.....	1
(3) Wire Nut.....	3
(4) Finial.....	1
(5) Machine Screws.....	2
(6) Large Hex Nut.....	1



INSTALLATION INSTRUCTIONS

Upon receipt of fixture and accessories (packed separately) thoroughly inspect for any freight damage which should be brought to the attention of the delivery carrier. Compare the catalog description and model # listed on the packaging with the fixture label on the inside of the housing to be sure that you have received the correct merchandise.

IMPORTANT SAFETY INSTRUCTIONS

DANGER: RISK OF SHOCK - DISCONNECT POWER BEFORE INSTALLATION

House electric current can cause painful shock or serious injury unless handled properly.

For your safety, always remember to:

- Turn off the power Supply at the fuse or circuit breaker box before you install the fixture.
- Ground the fixture to avoid potential electric shocks and to ensure reliable starting.
- Double-check all connections to be sure they are tight and correct.
- Wear rubber soled shoes and work on a sturdy wooden ladder.

This fixture is designed for use in a circuit protected by a fuse or circuit breaker. It is also designed to be installed in accordance with local electrical codes. If you are unsure about your wiring, consult a qualified electrician or local electrical inspector, and check your local electrical code.

LIMITED WARRANTY

This product is warranted to be free from defects in workmanship and materials for up to 3 years from date of purchase. If it fails to do so, please contact Feit Electric at info@feit.com or call 1-866-326-BULB (2852) for instructions on replacement. Do not return the product to the store.

MOUNTING:

1. Secure the threaded tube (2) to the mounting bracket (1) and large hex nut (6). Leave approximately 1-1/4 in. of the threaded tube (2) protruding beyond the front surface of the mounting bracket (1).
2. There are two sets of machine screws (5). Attach the mounting bracket (1) to the electrical box using the appropriate machine screws (5) needed. Pull the existing electrical supply wires out of the box to either side of the mounting bracket (1).
3. Use wire nuts (3) to connect ground wire. Tighten the wire nuts (3) properly to prevent the wire from coming loose. If unsure of the tightness, secure the wire nuts (3) using electrical tape. Use Wire Nuts (3) to connect the black fixture wire to the black power supply wire and the white fixture wire to the white (neutral) supply wire.
4. Remove the diffuser (B) from the fixture (A) by squeezing the tab on the bottom of the diffuser (B) while pulling the diffuser (B) up and out of the fixture (A).



CAUTION: TURN OFF THE MAIN POWER AT THE CIRCUIT BREAKER BEFORE INSTALLING THE FIXTURE IN ORDER TO PREVENT POSSIBLE SHOCK.

GENERAL: All electrical connections must be in accordance with local and National Electrical Code (N.E.C.) standards. If you are unfamiliar with proper electrical wiring connections obtain the services of a qualified electrician.

Remove the fixture and the mounting package from the box and make sure that no parts are missing by referencing the illustrations on the installation instructions.

WARNING: RISK OF CUTS Some metal parts in the fixture may have sharp edges. To prevent cuts and scrapes, wear gloves when handling the parts.

Account for small parts and destroy packing material, as these may be hazardous to children.

LED WALL LIGHT - IMPORTANT SAFETY INSTRUCTIONS

5. Position the fixture (C) over the electrical box so that the protruding threaded tube (2) in the mounting bracket (1) passes through the hole in the fixture (C) . Hand tighten the fixture (C) to the electrical box with the finial (4). Adjust the fixture (C) to make sure it is level before fully tightening the finial (4). The fixture (C) should be tightened up against the wall as close as possible.
6. In the event of outdoor installation, you will need to use silicone or other waterproof caulk around the outer perimeter of the fixture pan to prevent water seeping into the wiring compartment.
7. Slide the diffuser (B) into the fixture (C) and push on the tab at the bottom of the diffuser (B) so the diffuser (B) locks into place. Restore power to the electrical box to make sure the fixture (C) is working properly.

MAINTENANCE: Your fixture is designed for years of trouble-free operation. For optimum performance, periodically clean the reflector and lens with a nonabrasive cleaner.

TROUBLESHOOTING: If this fixture fails to operate properly, check to make sure:

- The fixture is wired correctly.
- The fixture is grounded correctly.
- The line voltage at the fixture is correct.
- There is no light reflected back into the photocell causing the fixture to turn off.