

LED FLAT PANEL FIXTURE INSTRUCTIONS

CAUTION

TURN OFF THE MAIN POWER AT THE CIRCUIT BREAKER BEFORE INSTALLING THE FIXTURE, IN ORDER TO PREVENT POSSIBLE SHOCK.



GENERAL

- All electrical connections must be in accordance with local and National Electrical Code (N.E.C.) standards. If you are unfamiliar with proper electrical wiring connections obtain the services of a qualified electrician.
- Remove the fixture and the mounting package from the box and make sure that no parts are missing by referencing the illustrations on the installation instructions.

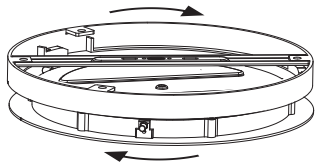
MOUNTING INSTRUCTIONS

READ IMPORTANT SAFETY INFORMATION FIRST ON REVERSE SIDE OF THIS SHEET.

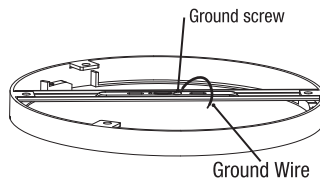
PARTS INCLUDED:	QTY
1. Mounting Bracket	1
2. Lamp unit	1
3. #8-32 x 1 screws	4
4. Ground wire	1
5. Ground screw	1
6. Plastic anchors	2
7. Wire nuts	3

1. To attach the **Mounting Bracket** to the Junction box in the Ceiling, follow these steps:

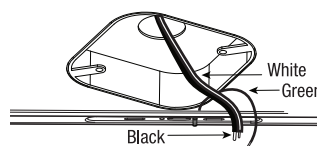
a) Twist and unlock the Mounting Bracket from the round LED flat panel fixture to remove.



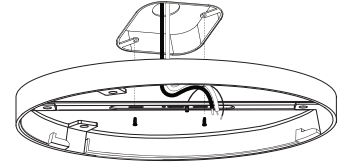
b) Determine if the ground wire is inside the junction box. If not, then secure ground wire provided to the Mounting Bracket as shown.



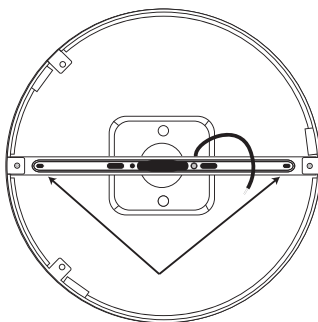
c) Identify all three wires (Black-line voltage, White-common, Green-ground) from ceiling and make them accessible for easy connections.



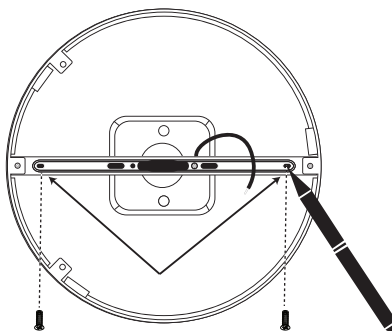
d) Secure the bracket to the junction box using the Junction box screws provided. If securing the bracket with anchors is also desired, follow steps i to iii. Otherwise, proceed to step 2



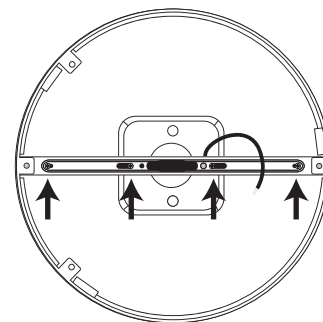
i) Use a pencil to mark the two hole positions for the plastic anchors going in the ceiling.



ii) Remove the bracket and install plastic anchors provided where marked. Use a 1/8" drill bit to make a hole and insert plastic anchor into each hole by tapping gently.

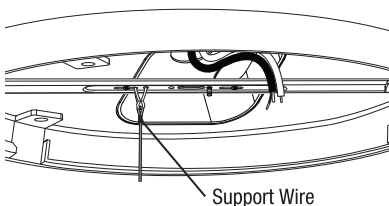


iii) Screw mounting bracket into the junction box and plastic anchors until secure

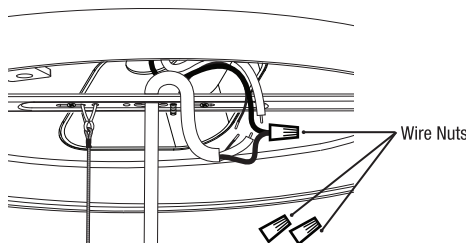


2. Connect the wires by raising the lamp Unit up to the ceiling in two steps (Notes: For larger fixtures a second person may be needed to hold the Lamp unit)

a) Hook up support wire as shown to hold fixture while you make the electrical connections



b) Feed lamp Unit wire through mounting bracket center holes, using the wire nut connectors provided connect the 3 wires coming from the j-box as show (Black-line voltage, White-common, Green- ground)



SAVE THESE INSTRUCTIONS.

LED FLAT PANEL FIXTURE INSTRUCTIONS

3. Now as you raise the lamp unit up into the Mounting Bracket, Push/feed the electrical wire up into the junction box.



a) Match up alignment arrows (1-1) indicated on the Mounting Bracket and the lamp Unit

b) Twist and lock the lamp Unit into the mounting bracket in the "Lock direction" to match up alignment arrows (1-2)

c) Once locked in place remove the stickers and gently align the lamp unit and mounting Bracket for best fit.

WARNING!! IF NOT LOCKED IN PLACE THE FIXTURES MAY FALL AND CAUSE SERIOUS INJURY!!



IMPORTANT SAFETY INFORMATION

1. **WARNING: RISK OF SHOCK** House electric current can cause painful shock or serious injury unless handled properly. For your safety, always remember to:
 - A. Turn off the power Supply at the fuse or circuit breaker box before you install the fixture.
 - B. Ground the fixture to avoid potential electric shocks and to ensure reliable starting.
 - C. Double-check all connections to be sure they are tight and correct.
 - D. Wear rubber soled shoes and work on a sturdy wooden ladder.
2. This fixture is designed for use in a circuit protected by a fuse or circuit breaker. It is also designed to be installed in accordance with local electrical codes. If you are unsure about your wiring, consult a qualified electrician or local electrical inspector, and check your local electrical code.
3. **WARNING: RISK OF CUTS** Some metal parts in the fixture may have sharp edges. To prevent cuts and scrapes, wear gloves when handling the parts.
4. Account for small parts and destroy packing material, as these may be hazardous to children.

CAUTION

WARNING: Risk of fire. Use only on 120 volt 60Hz circuits. Suitable for damp locations. Before installing your lighting fixture, thoroughly review enclosed installation manual. If you do not have sufficient electrical wiring experience, please refer to a do-it-yourself wiring handbook or have your fixture installed by a qualified licensed electrician. All electrical connections must be in accordance with Local and National Electrical Code (NEC) Standards. Reliable operating temperature is 0°F –120°F. If flickering occurs in low level dimming, increase light level. Compatible with most dimmers including Leviton 6681-IW, Lutron S-600P and Lutron DVCL-153. Dimmable to 10% with most dimmers. For more information including dimmer compatibility visit www.feit.com or call our toll free number 1-866-326-BULB.

This device complies with part 15 of the FCC Rules. Operation is subject to the following two conditions: (1) This device may not cause harmful interference, and (2) this device must accept any interference received, including interference that may cause undesired operation. Note: This equipment has been tested and found to comply with the limits for a Class B digital device, pursuant to part 15 of the FCC Rules. These limits are designed to provide reasonable protection against harmful interference in a residential installation. This equipment generates, uses and can radiate radio frequency energy and, if not installed and used in accordance with the instructions, may cause

harmful interference to radio communications. However, there is no guarantee that interference will not occur in a particular installation. If this equipment does cause harmful interference to radio or television reception, which can be determined by turning the equipment off and on, the user is encouraged to try to correct the interference by one or more of the following measures: Reorient or relocate the receiving antenna. Increase the separation between the equipment and receiver. Connect the equipment into an outlet on a circuit different from that to which the receiver is connected. Consult the dealer or an experienced radio/TV technician for help.

LIMITED WARRANTY

This product is warranted to be free from defects in workmanship and materials for up to 5 years from date of purchase. If it fails to do so, please contact Feit Electric at info@feit.com or call 1-866 326-BULB (2852) for instructions on replacement. Do not return the product to the store.

For comments please write to:
FEIT ELECTRIC
Customer Service Department
4901 Gregg Road, Pico Rivera, CA 90660

SAVE THESE INSTRUCTIONS.